



US00D679418S

(12) **United States Design Patent**
Nolan et al.

(10) **Patent No.:** **US D679,418 S**

(45) **Date of Patent:** **** Apr. 2, 2013**

(54) **INTEGRATED DRIP EDGE**
(75) Inventors: **Patrick Nolan**, Royersford, PA (US);
Michael A. Dotsey, Pottstown, PA (US)

5,899,026 A * 5/1999 Williams et al. 52/58
6,167,660 B1 * 1/2001 Sama 52/58
D479,751 S * 9/2003 Schofield D25/119
D507,353 S * 7/2005 Rasmussen D25/119
7,155,864 B1 * 1/2007 Din 52/11

(73) Assignee: **AZEK Building Products, Inc.**,
Scranton, PA (US)

* cited by examiner

(**) Term: **14 Years**

Primary Examiner — Doris Clark

(21) Appl. No.: **29/410,691**

(74) *Attorney, Agent, or Firm* — Buchanan Ingersoll &
Rooney, PC

(22) Filed: **Jan. 11, 2012**

(57) **CLAIM**

The ornamental design for a integrated drip edge, as shown
and described.

Related U.S. Application Data

(63) Continuation-in-part of application No. 12/986,413,
filed on Jan. 7, 2011, now Pat. No. 8,347,567.

DESCRIPTION

(51) **LOC (9) Cl.** **25-01**

FIG. 1 is a top perspective view of our integrated drip edge;
FIG. 2 is a right side view thereof, the left side view being a
mirror image thereof;

(52) **U.S. Cl.** **D25/119; D25/55; D25/136**

FIG. 3 is a front view thereof;

(58) **Field of Classification Search** 52/236.6,

FIG. 4 is a rear view thereof;

52/264, 272, 287.1, 255, 242, 293.1, 169.12,

FIG. 5 is a top view thereof; and,

52/434, 435, 800.1, 716.1, 717.01, 716.8,

FIG. 6 is a bottom view thereof.

52/718.01, 718.04, 11, 13, 14, 15, 58, 213,

In FIGS. 1 and 3 through 6 the integrated drip edge is cut to
indicate indeterminate length.

52/60, 61, 62, 290, 220.7, 211, 204.53, 588.1,

52/590.1, 589.1; D25/119, 136, 55

A pair of optional hinges are shown in broken line in FIGS. 1
and 2 and form no part of the claimed design.

See application file for complete search history.

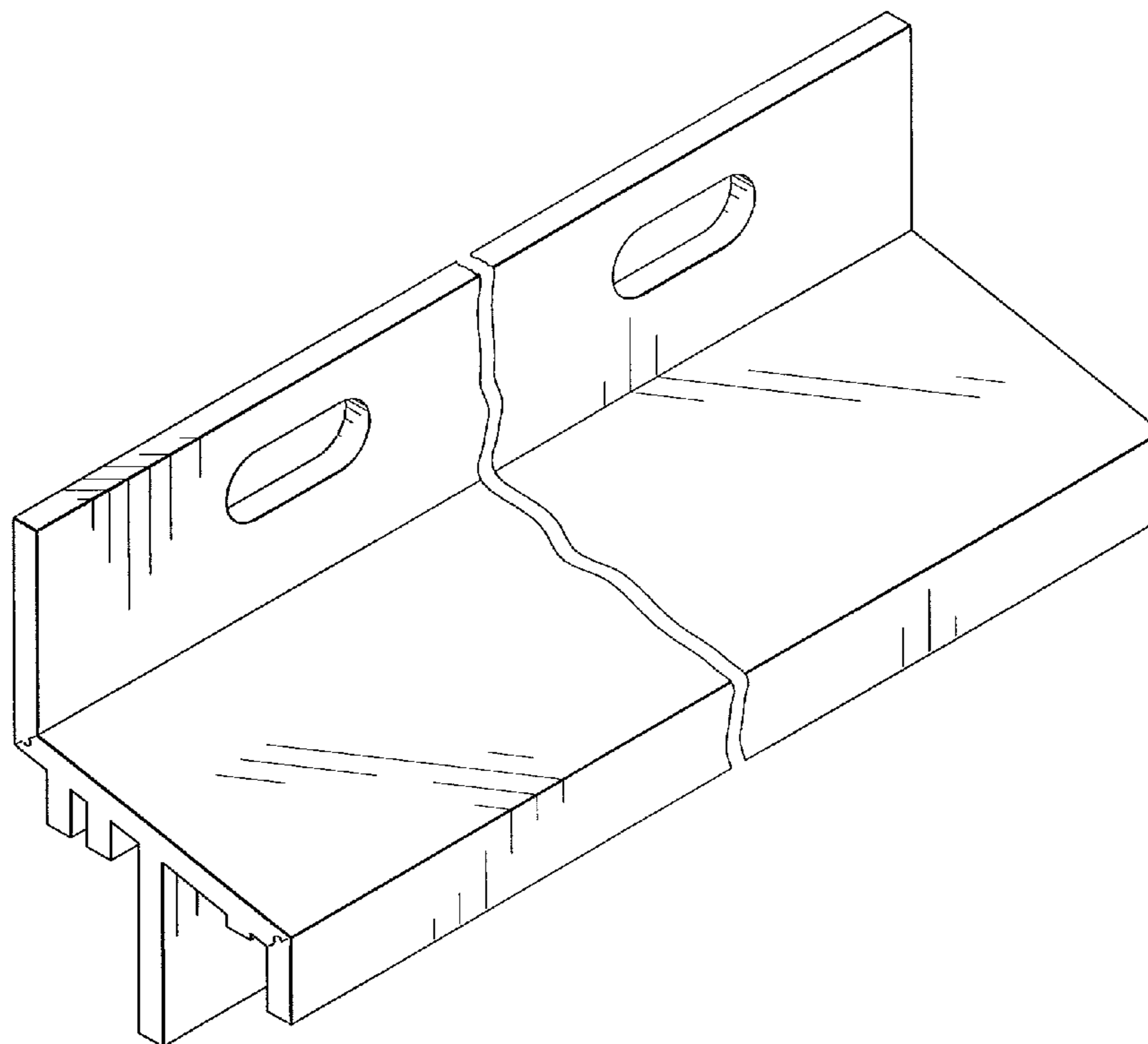
A portion of a board to which the integrated drip edge is
attached is shown in broken line in FIG. 2 and forms no part
of the claimed design.

(56) **References Cited**

U.S. PATENT DOCUMENTS

3,562,983 A * 2/1971 Rector 52/169.12
5,170,597 A * 12/1992 Stearns 52/58

1 Claim, 3 Drawing Sheets



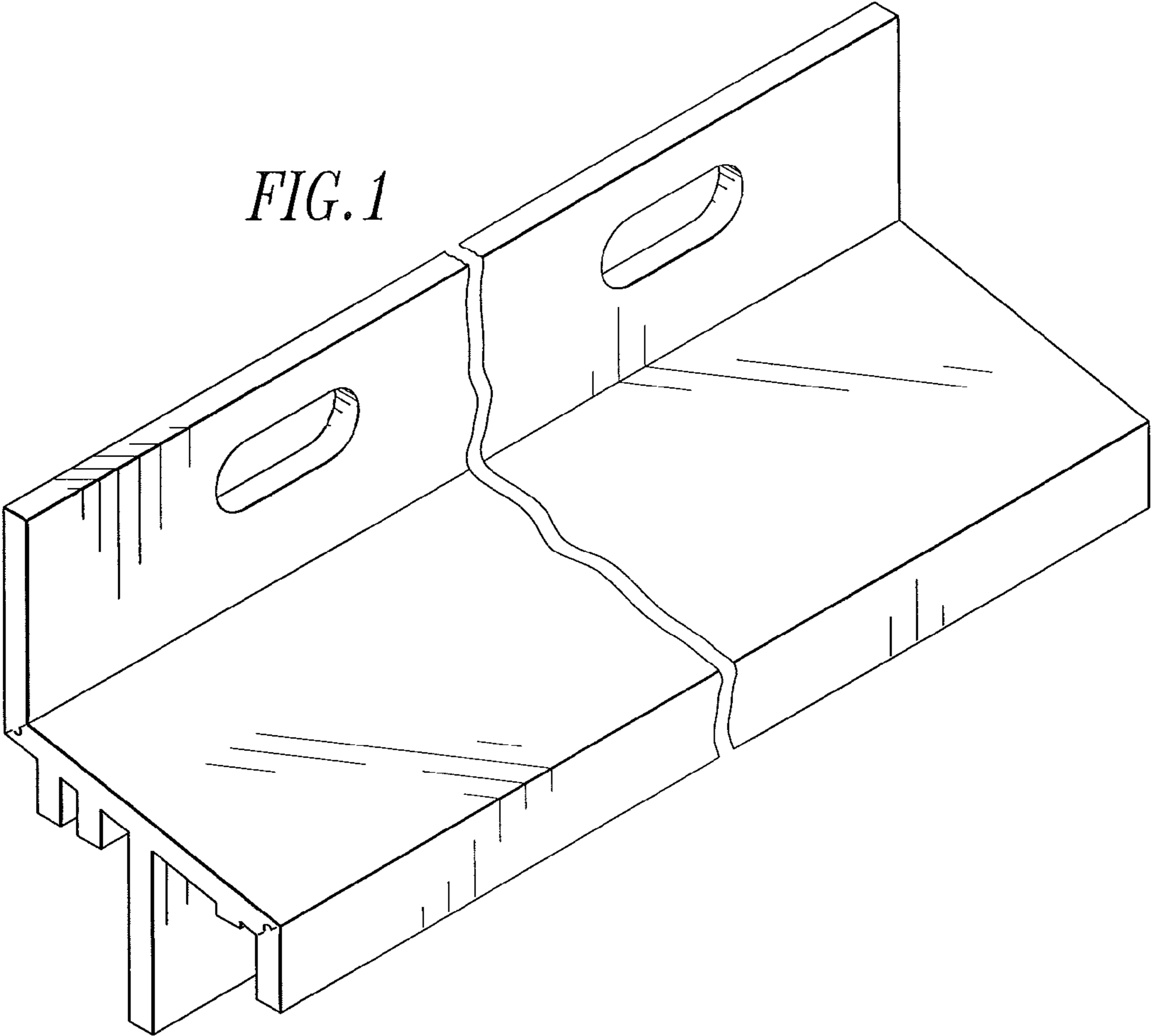
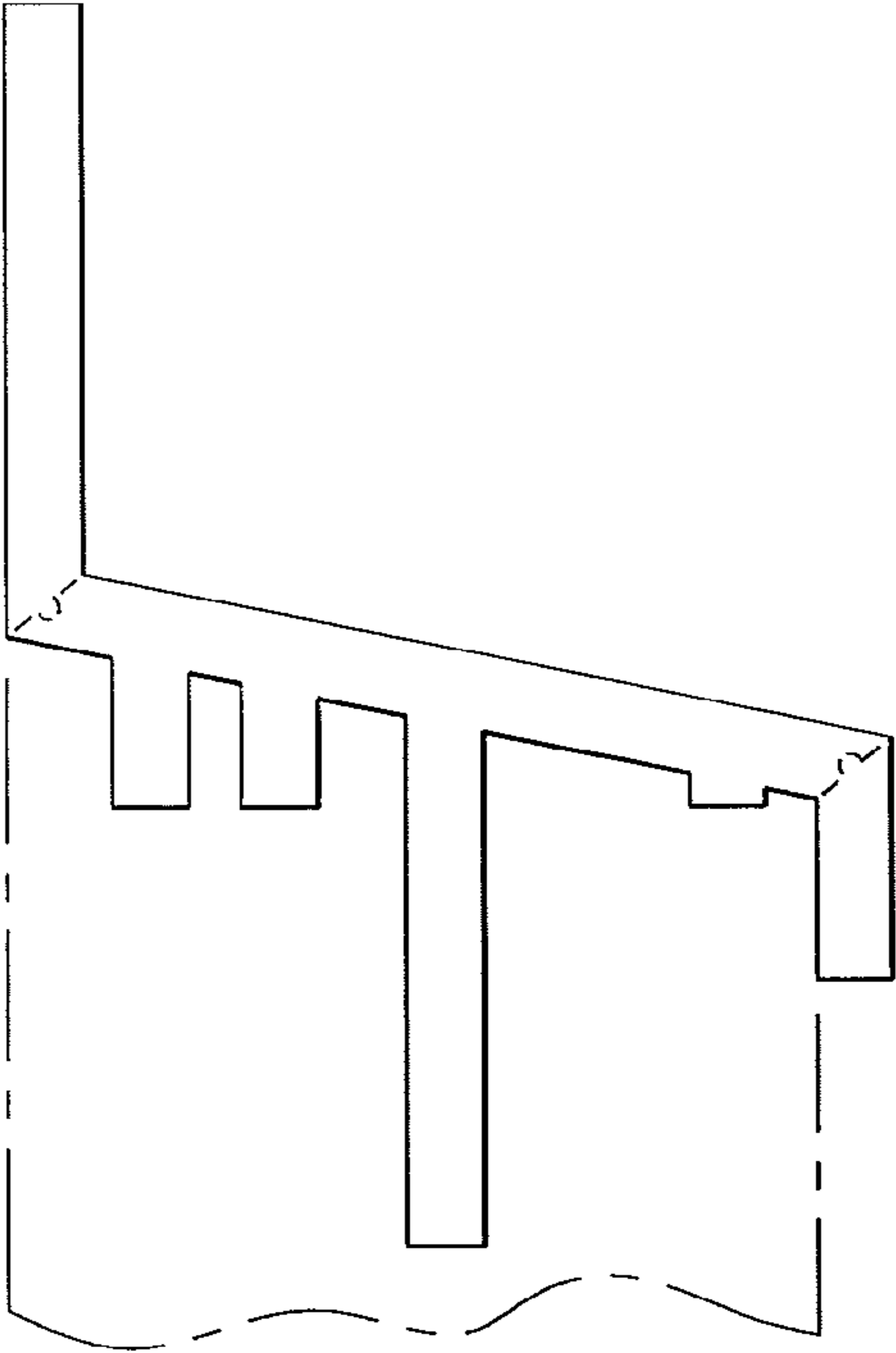


FIG. 2



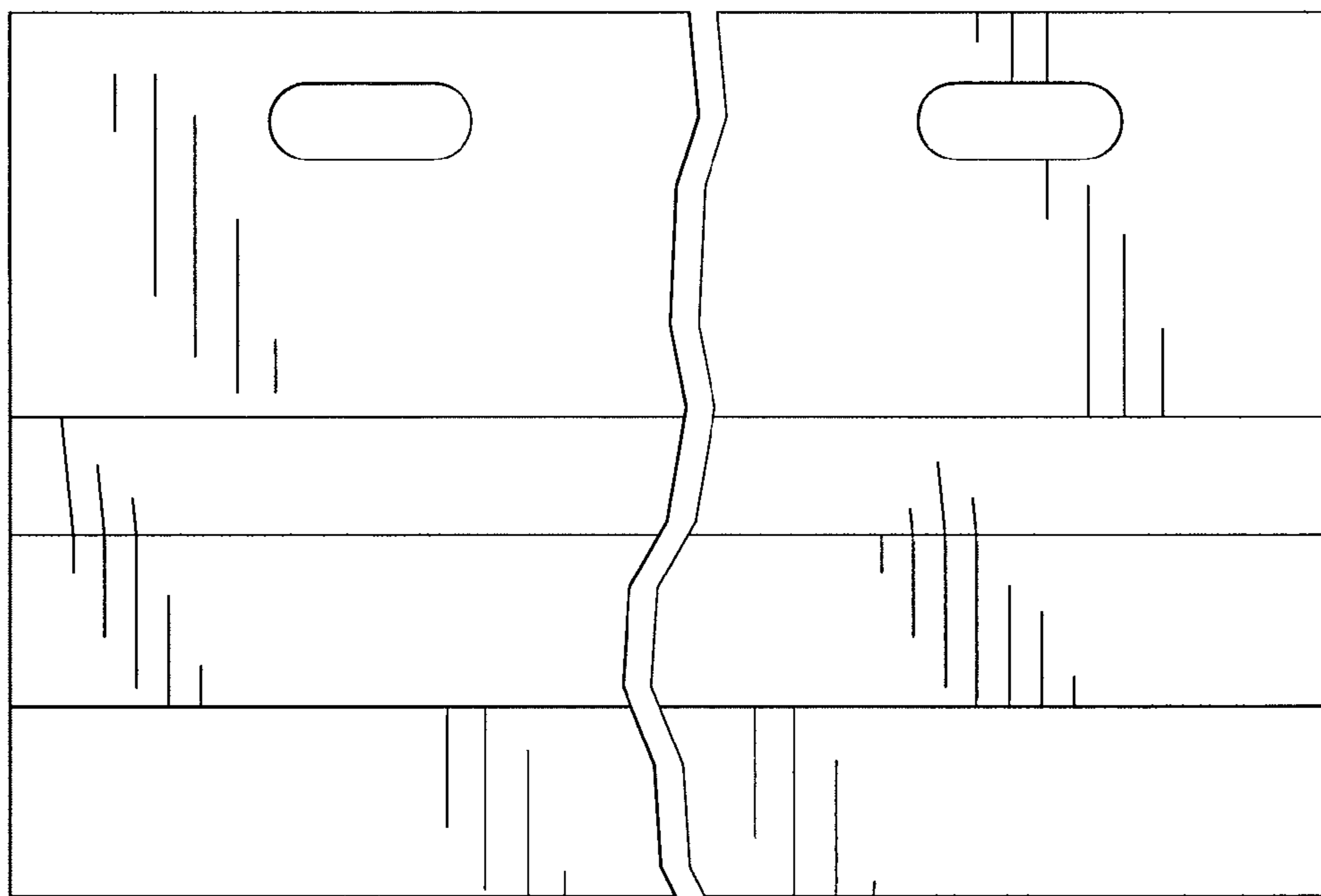


FIG. 3

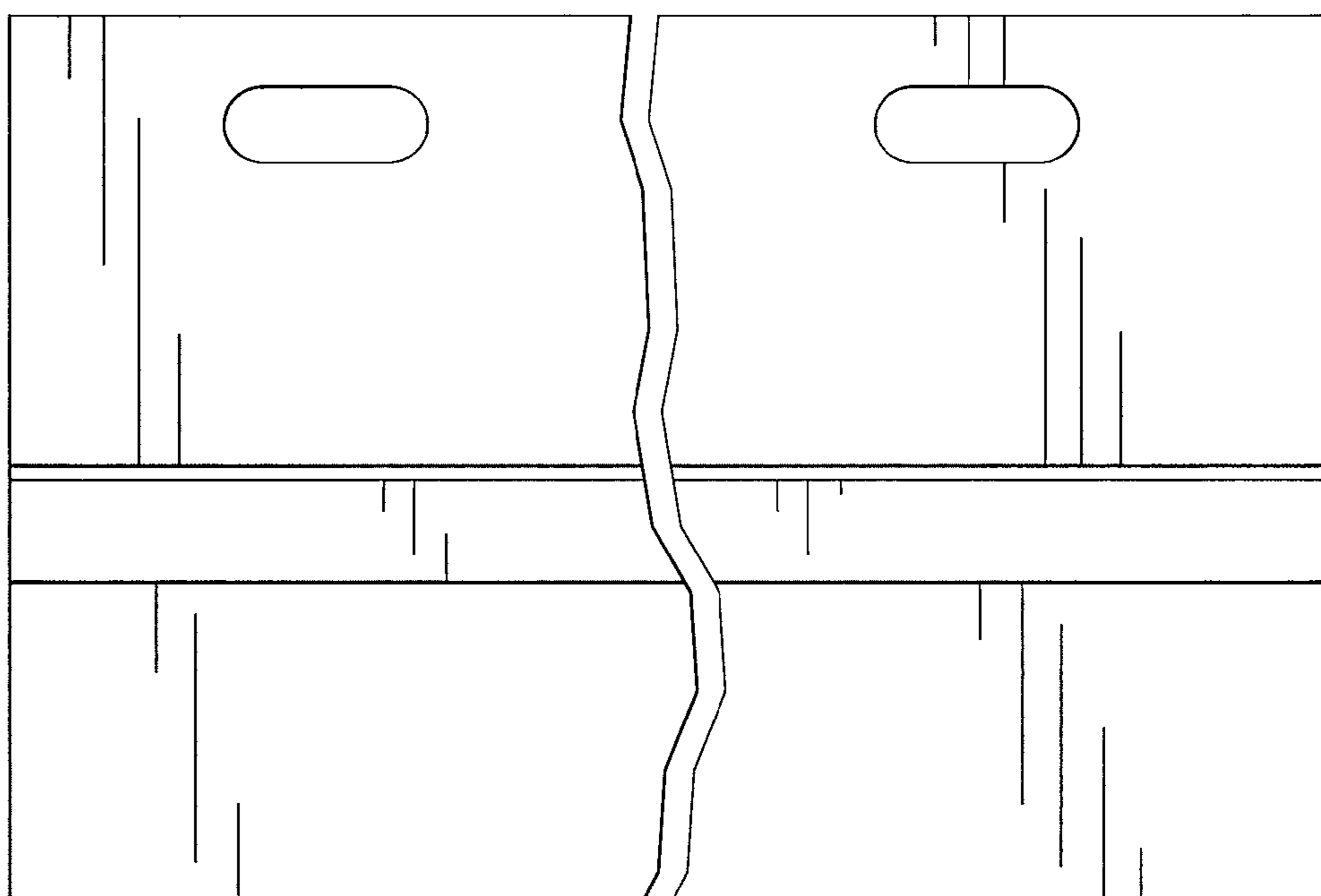


FIG. 4

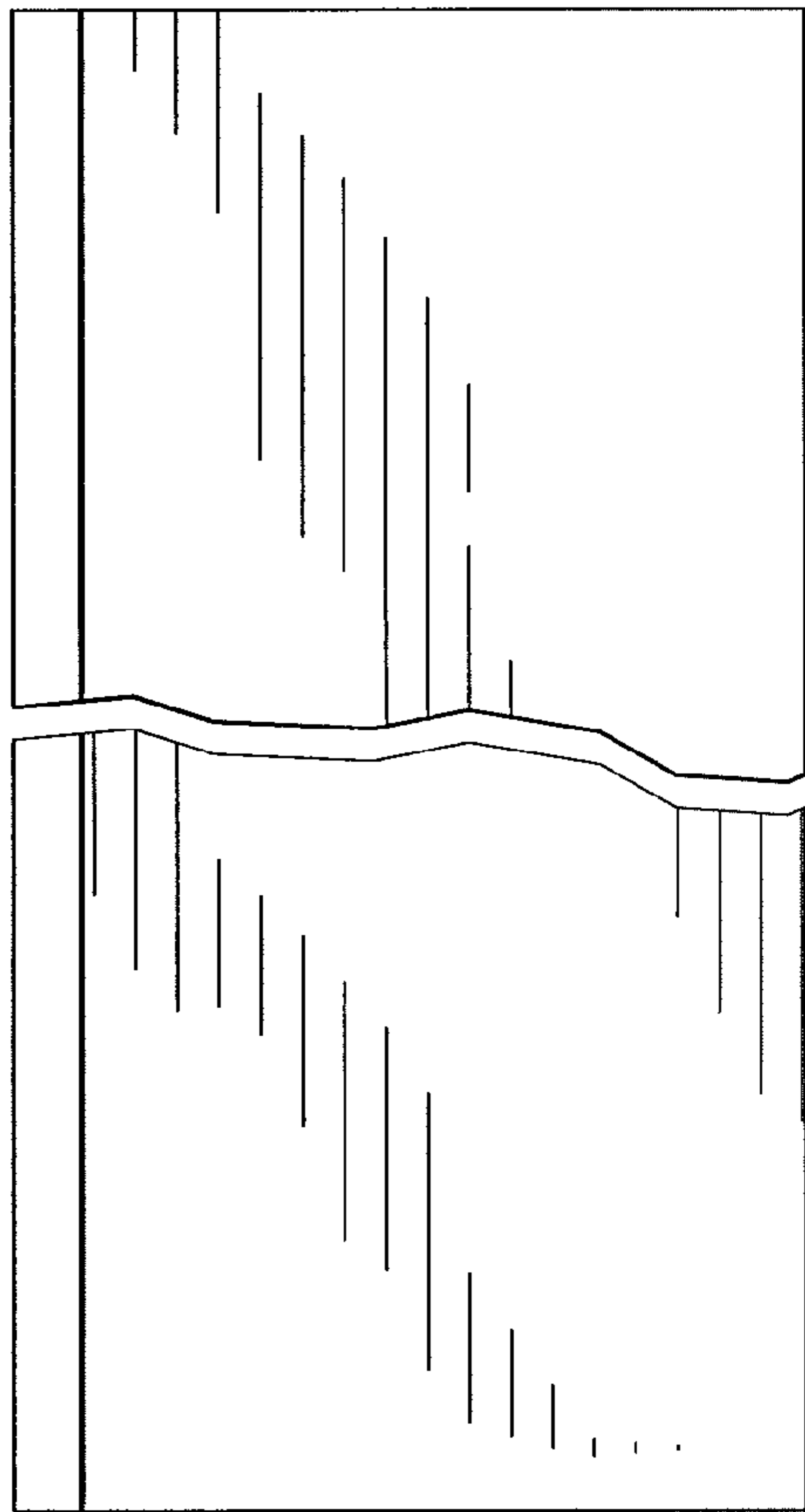


FIG. 5

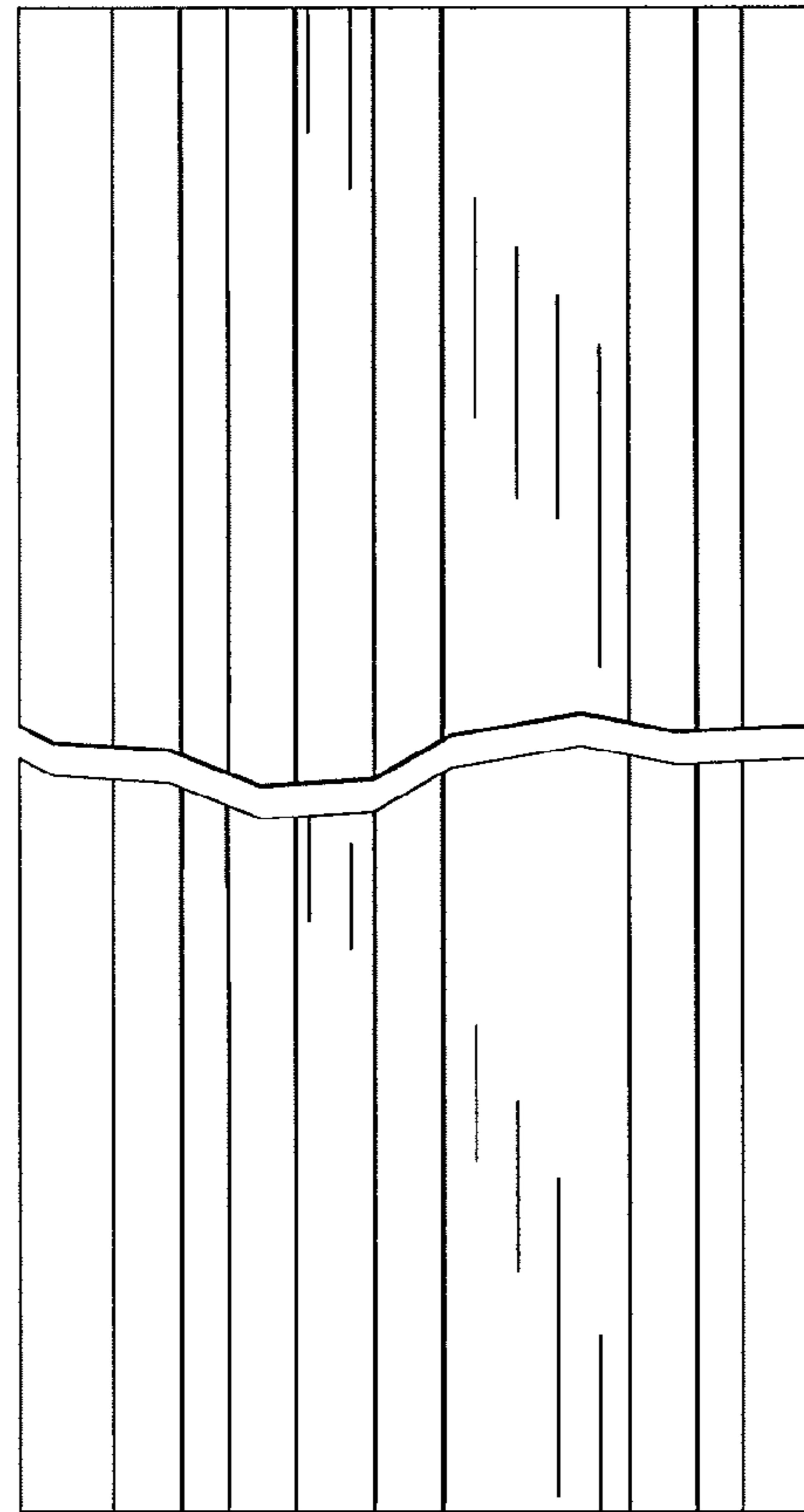


FIG. 6