



US00D679416S

(12) **United States Design Patent**
Nanayakkara

(10) **Patent No.:** **US D679,416 S**

(45) **Date of Patent:** **** Apr. 2, 2013**

(54) **GARDEN BLOCK**

(76) **Inventor:** **Lakdas Nanayakkara**, Boca Raton, FL
(US)

(**) **Term:** **14 Years**

(21) **Appl. No.:** **29/412,878**

(22) **Filed:** **Feb. 8, 2012**

(51) **LOC (9) Cl.** **25-01**

(52) **U.S. Cl.** **D25/114**

(58) **Field of Classification Search** D25/102-118,
D25/138, 152, 157-162, 164; D21/484-491,
D21/499-504; 405/16, 284, 286; 52/503-505,
52/574, 575, 596-612; 404/27-42

See application file for complete search history.

(56) **References Cited**

U.S. PATENT DOCUMENTS

D243,855 S * 3/1977 Hynes D25/118
4,436,447 A * 3/1984 Crowe 405/16
4,965,979 A * 10/1990 Larrivee et al. 52/606

6,088,987 A * 7/2000 Simmons et al. 52/604
D479,000 S * 8/2003 van Oort D25/113
D612,070 S * 3/2010 Usul et al. D25/113
2009/0077920 A1 * 3/2009 Korman et al. 52/606

* cited by examiner

Primary Examiner — Anhdao Doan

(74) *Attorney, Agent, or Firm* — Melvin K. Silverman

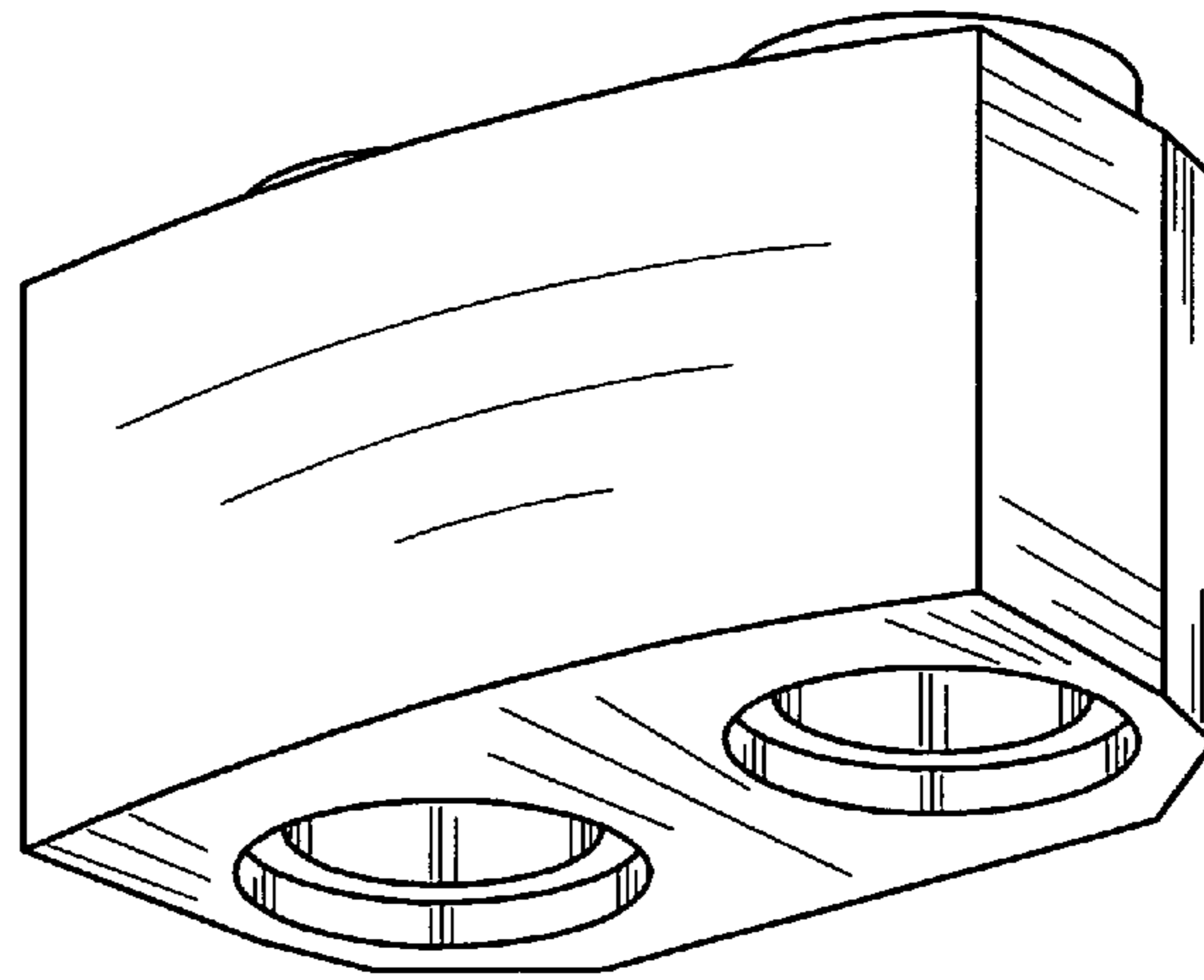
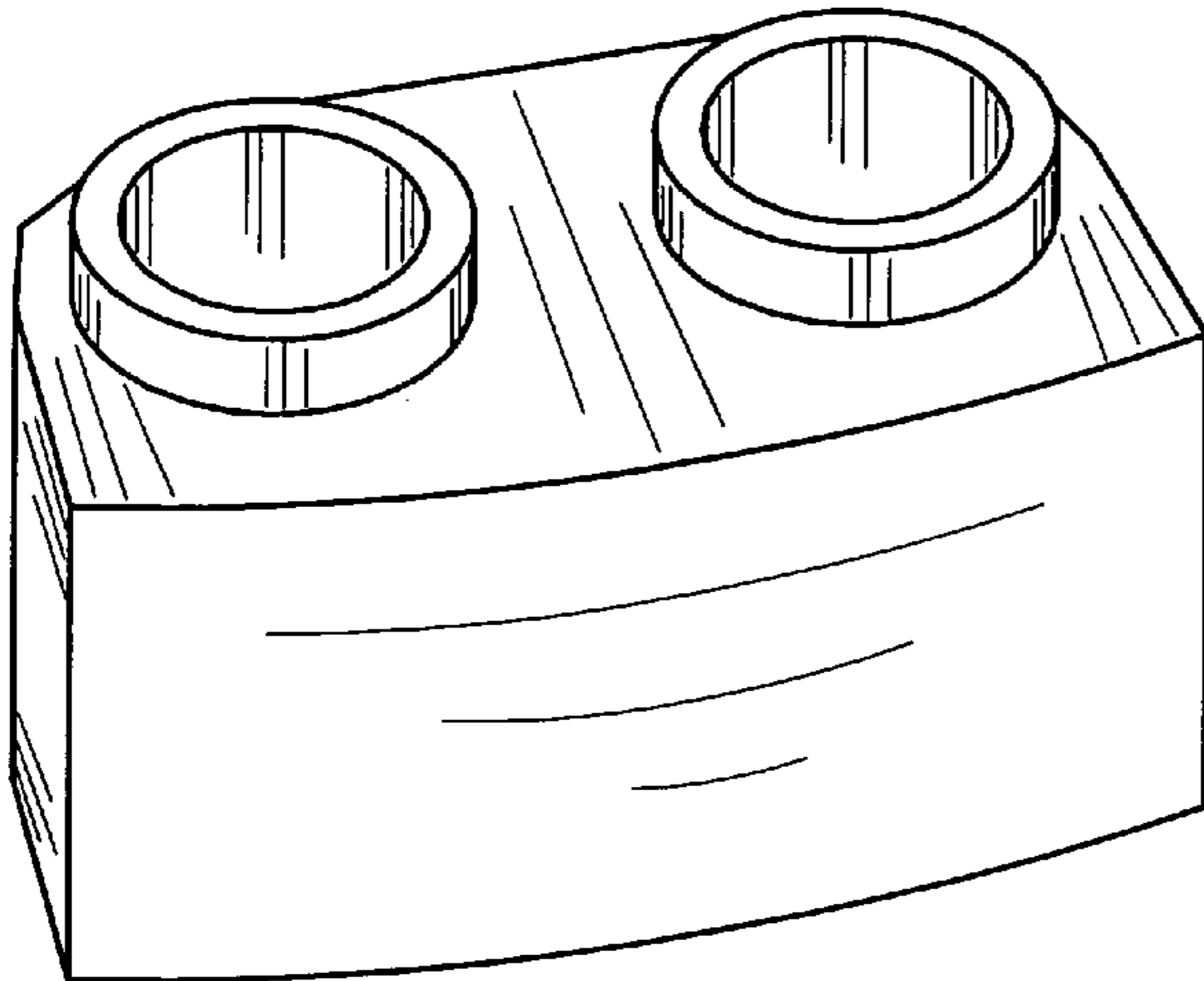
(57) **CLAIM**

The ornamental design for a garden block, as shown and described.

DESCRIPTION

FIG. 1 is a top and rear perspective view of a garden block.
FIG. 2 is a bottom and rear perspective view thereof.
FIG. 3 is a top view thereof;
FIG. 4 is a bottom view thereof;
FIG. 5 is a rear view thereof;
FIG. 6 is an end view thereof;
FIG. 7 is another end view thereof; and,
FIG. 8 is a front view thereof.

1 Claim, 5 Drawing Sheets



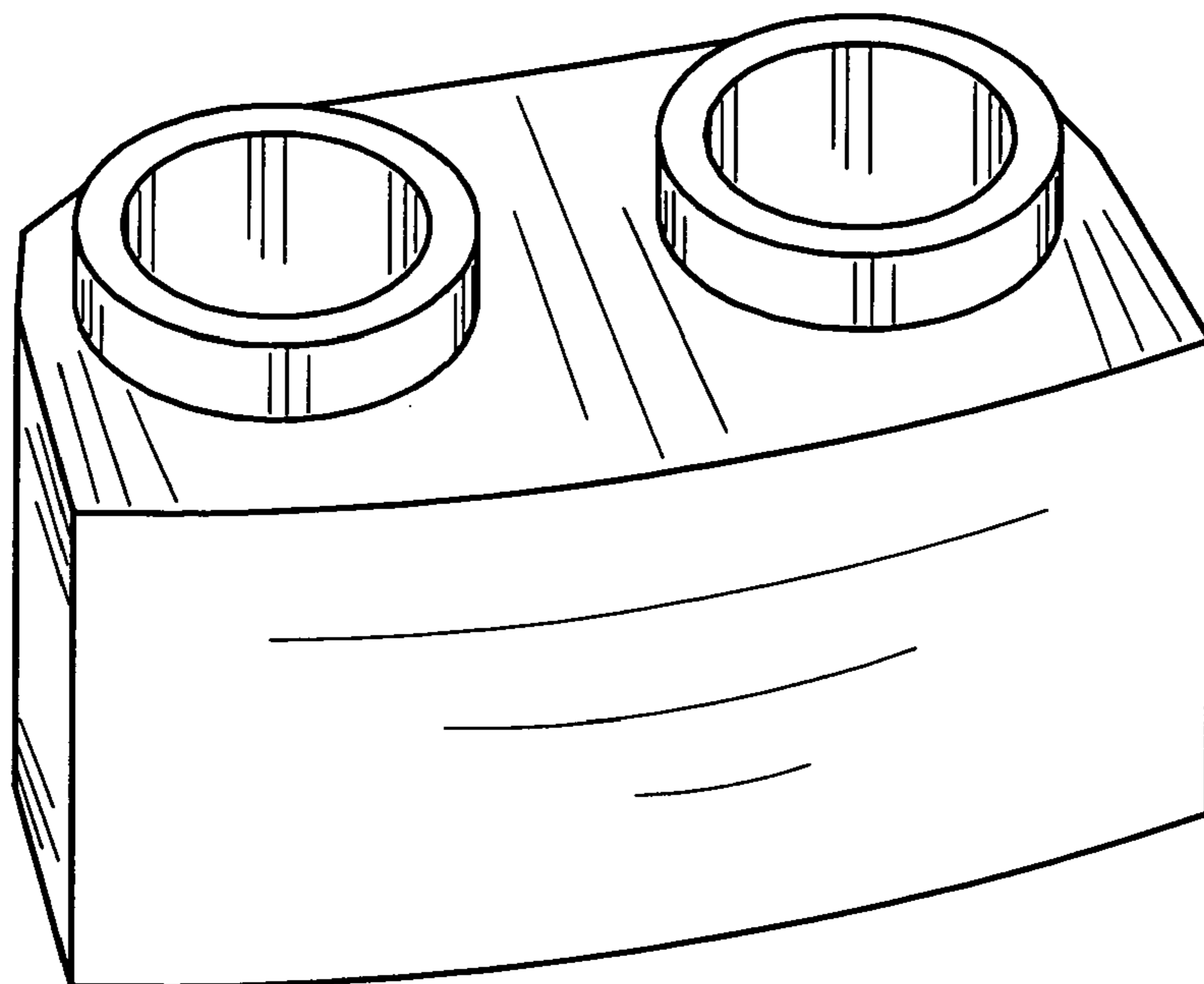


FIG. 1

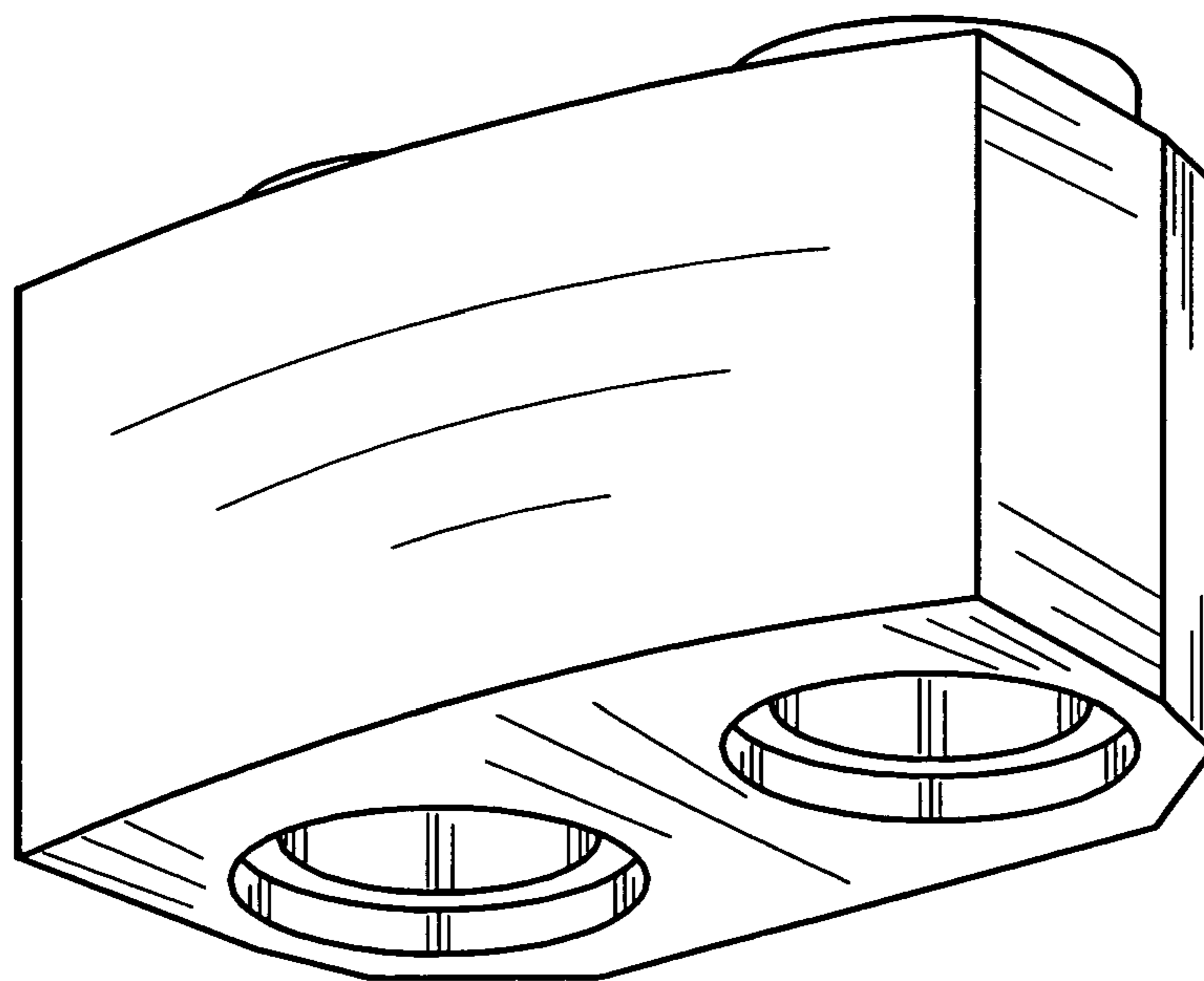


FIG. 2

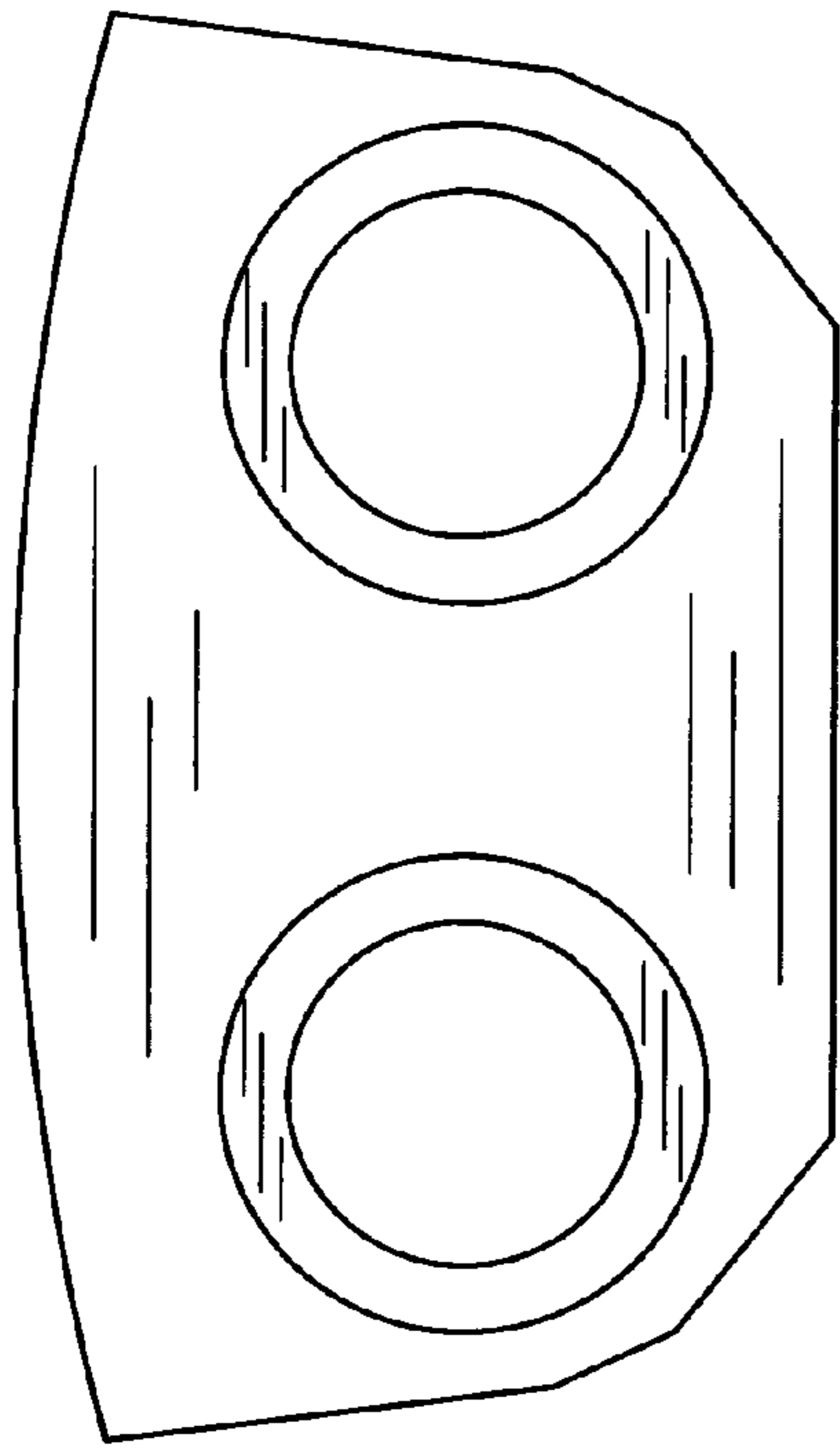


FIG.3

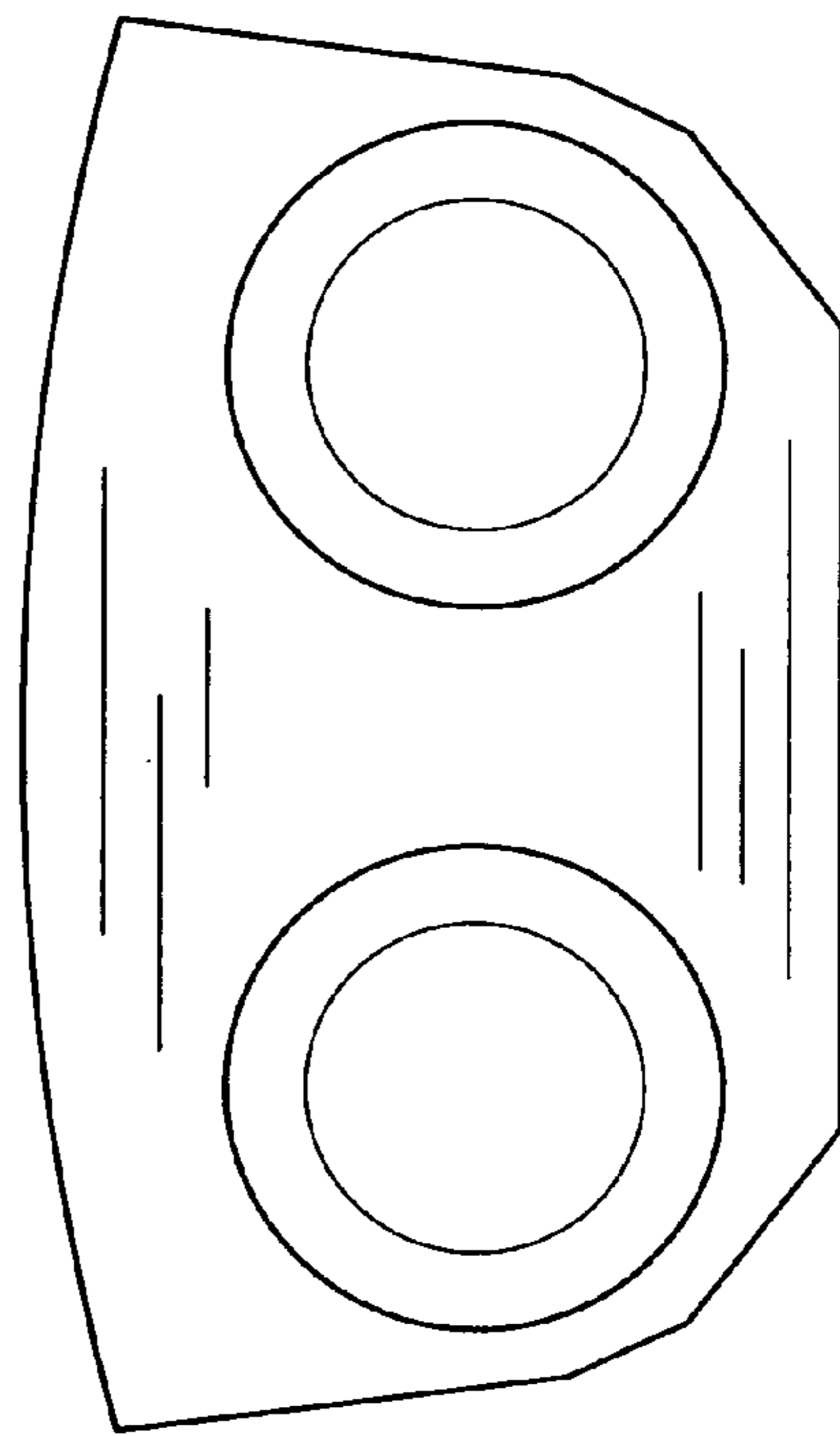


FIG.4

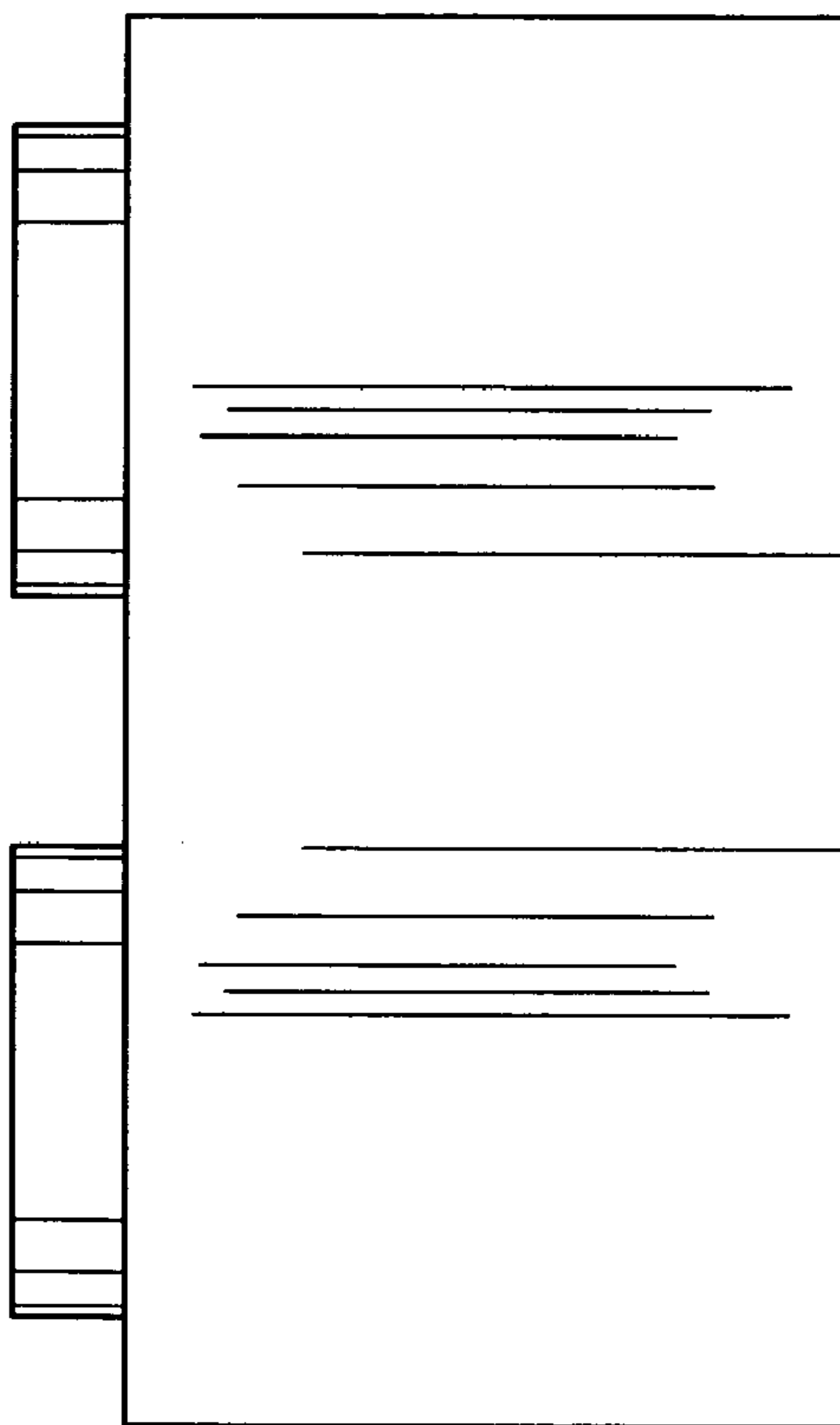


FIG.5

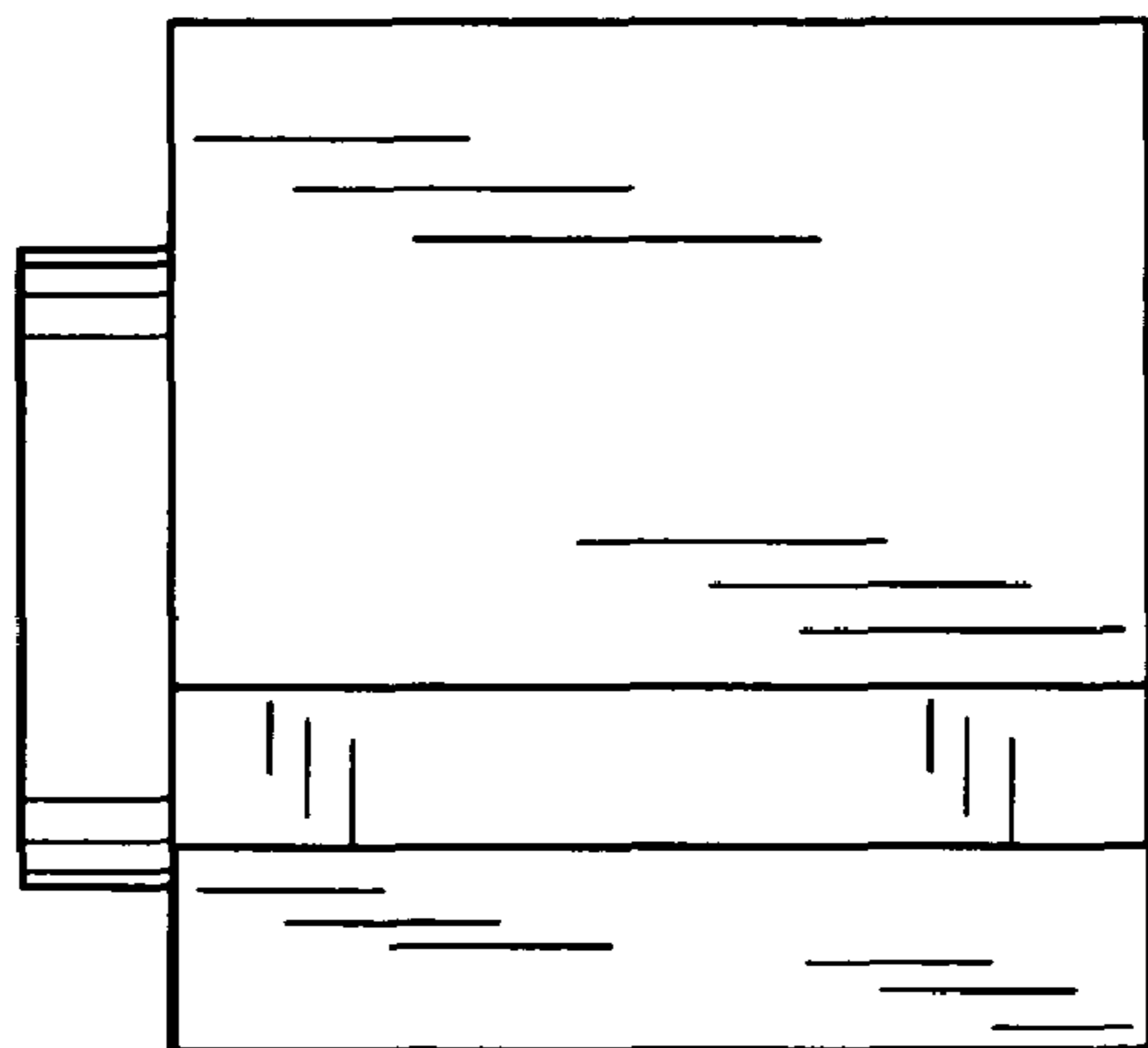


FIG. 6



FIG. 7

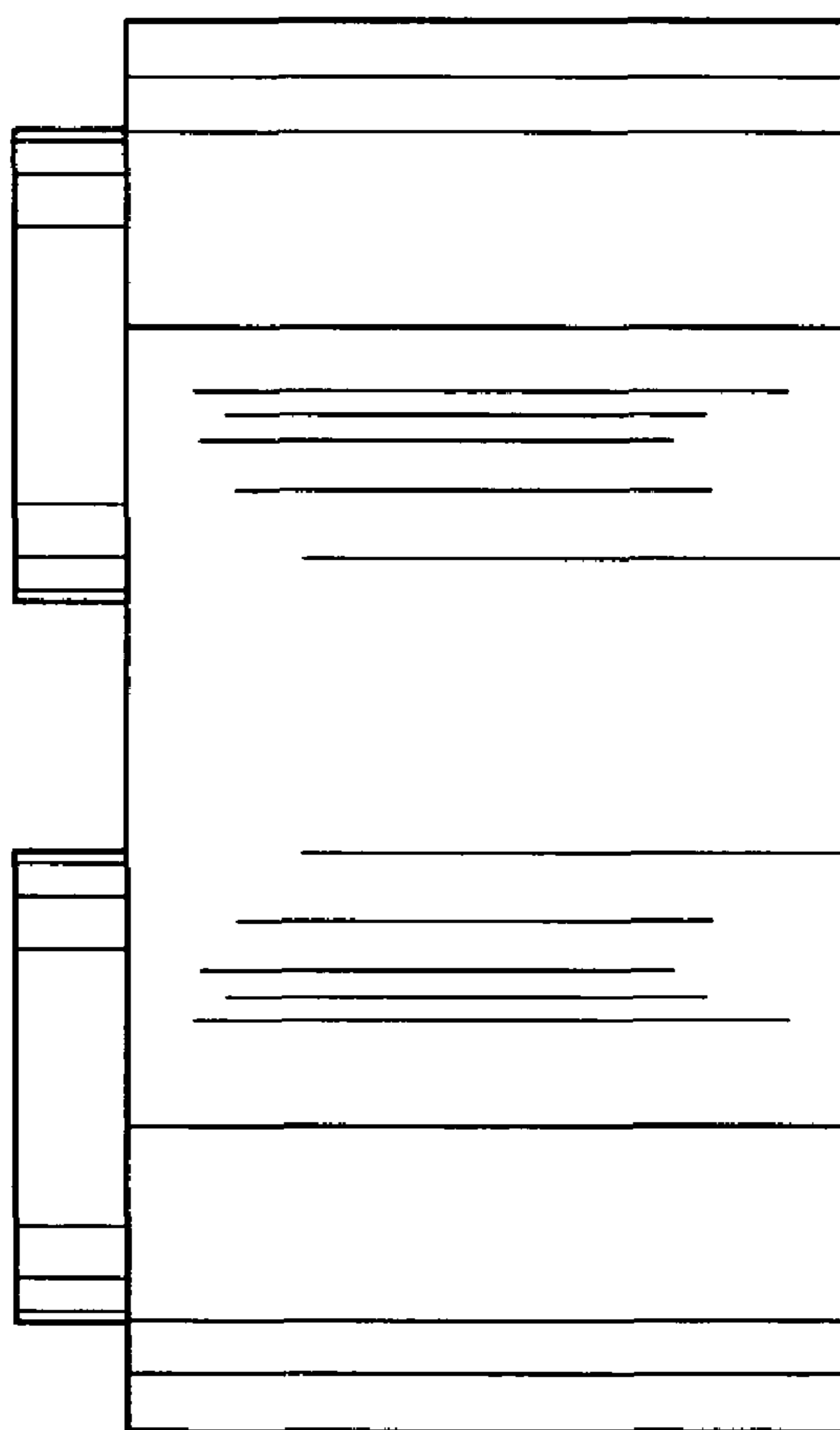


FIG. 8