



US00D679411S

(12) **United States Design Patent**
Hosoya et al.

(10) **Patent No.:** **US D679,411 S**

(45) **Date of Patent:** **** Apr. 2, 2013**

(54) **SAMPLE HOLDER FOR AN ELECTRON MICROSCOPE**

4,981,345 A * 1/1991 Berry et al. 359/391
D333,187 S * 2/1993 Omi D24/225
D431,300 S * 9/2000 Fisch D24/225
D628,709 S * 12/2010 Burdett et al. D24/216

(75) Inventors: **Kotaro Hosoya**, Hitachinaka (JP);
Yoshihiro Takahoko, Hitachinaka (JP)

* cited by examiner

(73) Assignee: **Hitachi High-Technologies Corporation**, Tokyo (JP)

Primary Examiner — Anhdao Doan

(74) *Attorney, Agent, or Firm* — Antonelli, Terry, Stout & Kraus, LLP.

(**) Term: **14 Years**

(21) Appl. No.: **29/411,275**

(57) **CLAIM**

We claim the ornamental design for a sample holder for an electron microscope, as shown and described.

(22) Filed: **Jan. 19, 2012**

(30) **Foreign Application Priority Data**

DESCRIPTION

Sep. 30, 2011 (JP) 2011-022528

(51) **LOC (9) Cl.** **24-01**

(52) **U.S. Cl.** **D24/224**

(58) **Field of Classification Search** D24/216–217,
D24/219, 223–226, 227, 229–231, 232, 107,
D24/121–123; D10/81; 422/547–554, 556,
422/558, 559, 500, 560, 561; 359/391, 398
See application file for complete search history.

FIG. 1 is a front, top and right side perspective view of a sample holder for an electron microscope showing our/my new design;

FIG. 2 is a front elevational view thereof;

FIG. 3 is a rear elevational view thereof;

FIG. 4 is a left side elevational view thereof;

FIG. 5 is a right side elevational view thereof;

FIG. 6 is a top plan view thereof; and,

FIG. 7 is a bottom plan view thereof.

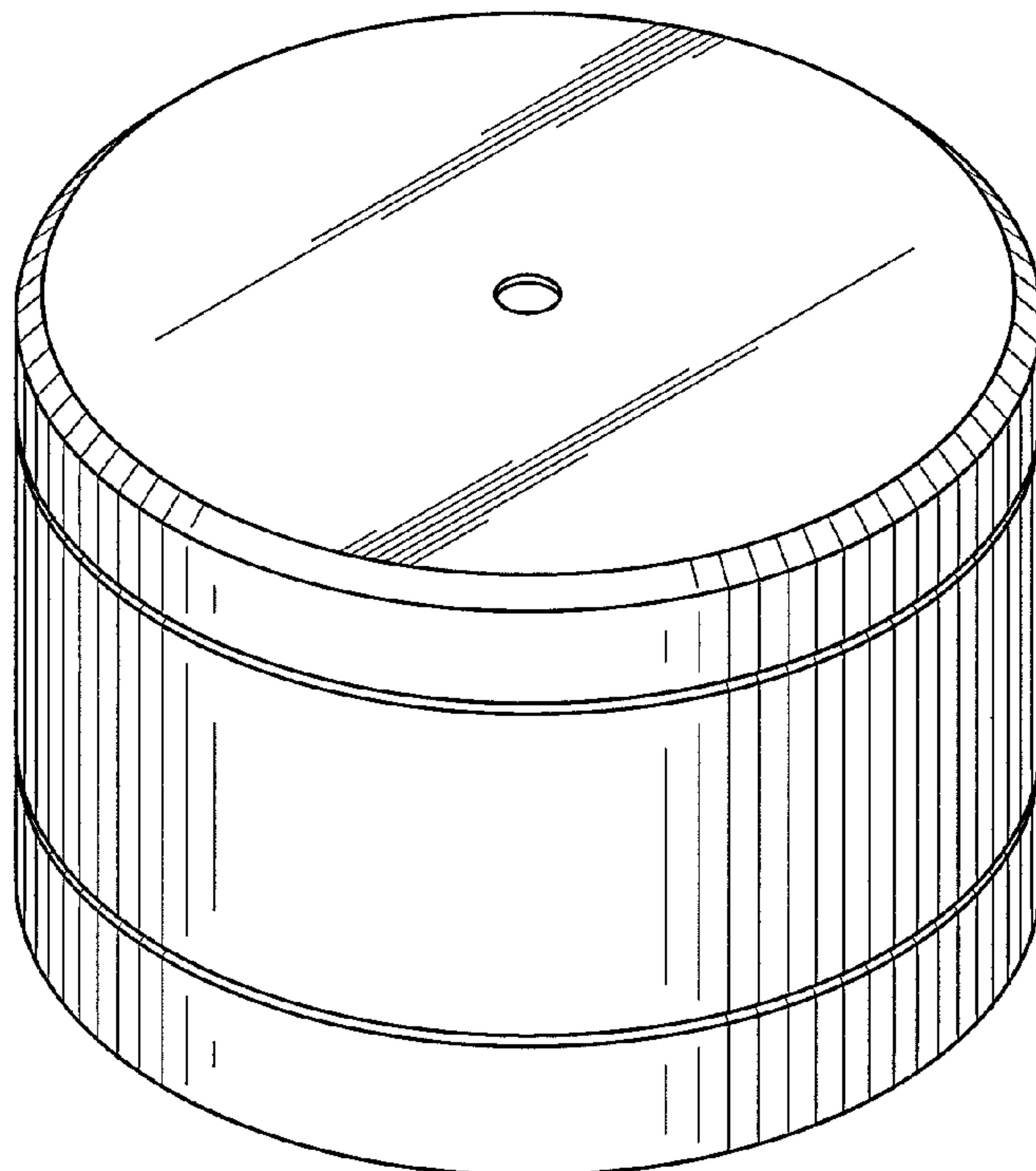
The broken lines in FIGS. 2-5 and 7 views are included for the purpose of illustrating a portion of the sample holder for an electron microscope that forms no part of the claimed design.

(56) **References Cited**

U.S. PATENT DOCUMENTS

D249,708 S * 9/1978 Smith et al. D24/224
D290,042 S * 5/1987 Ford D24/225

1 Claim, 4 Drawing Sheets



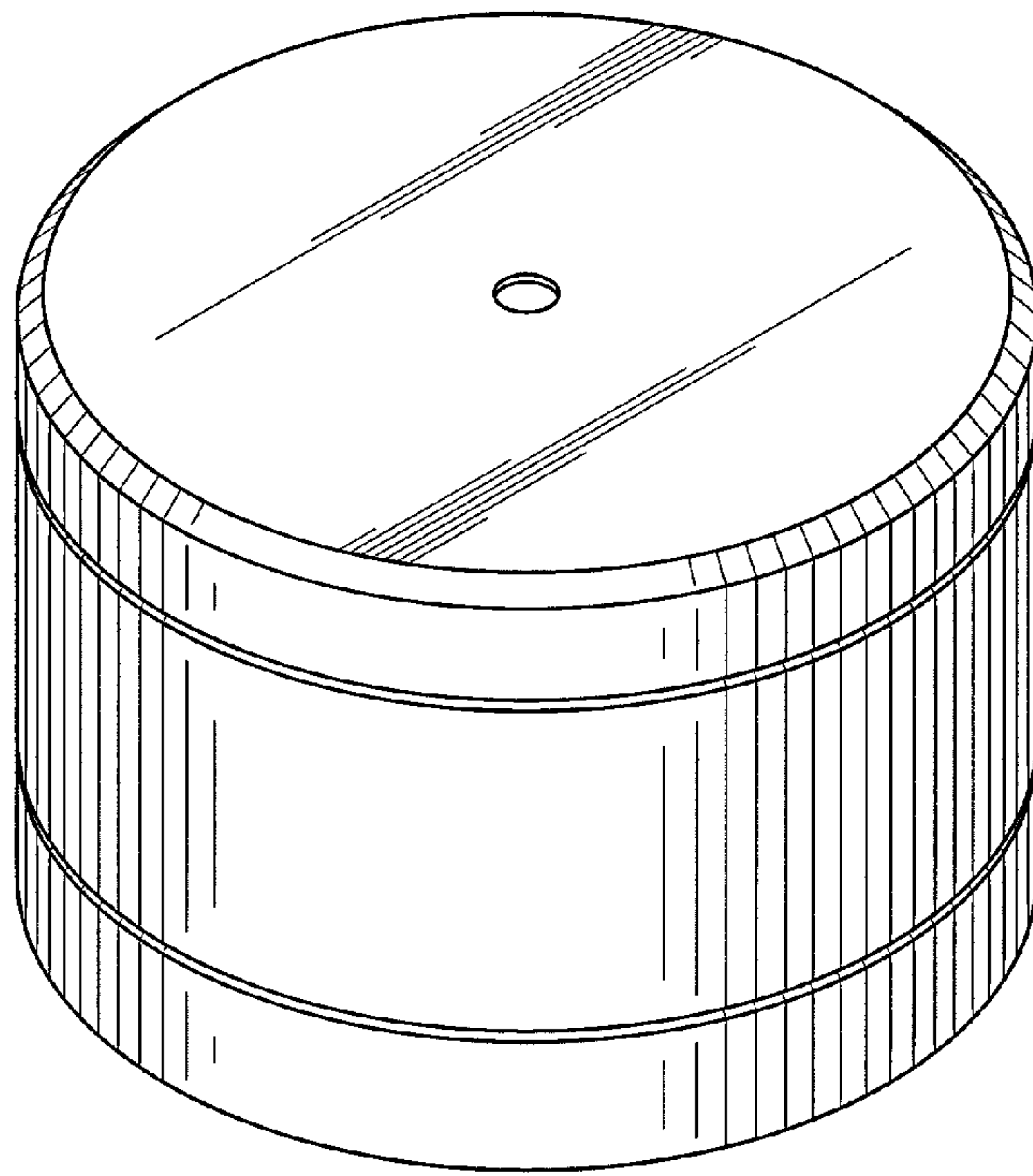


FIG. 1

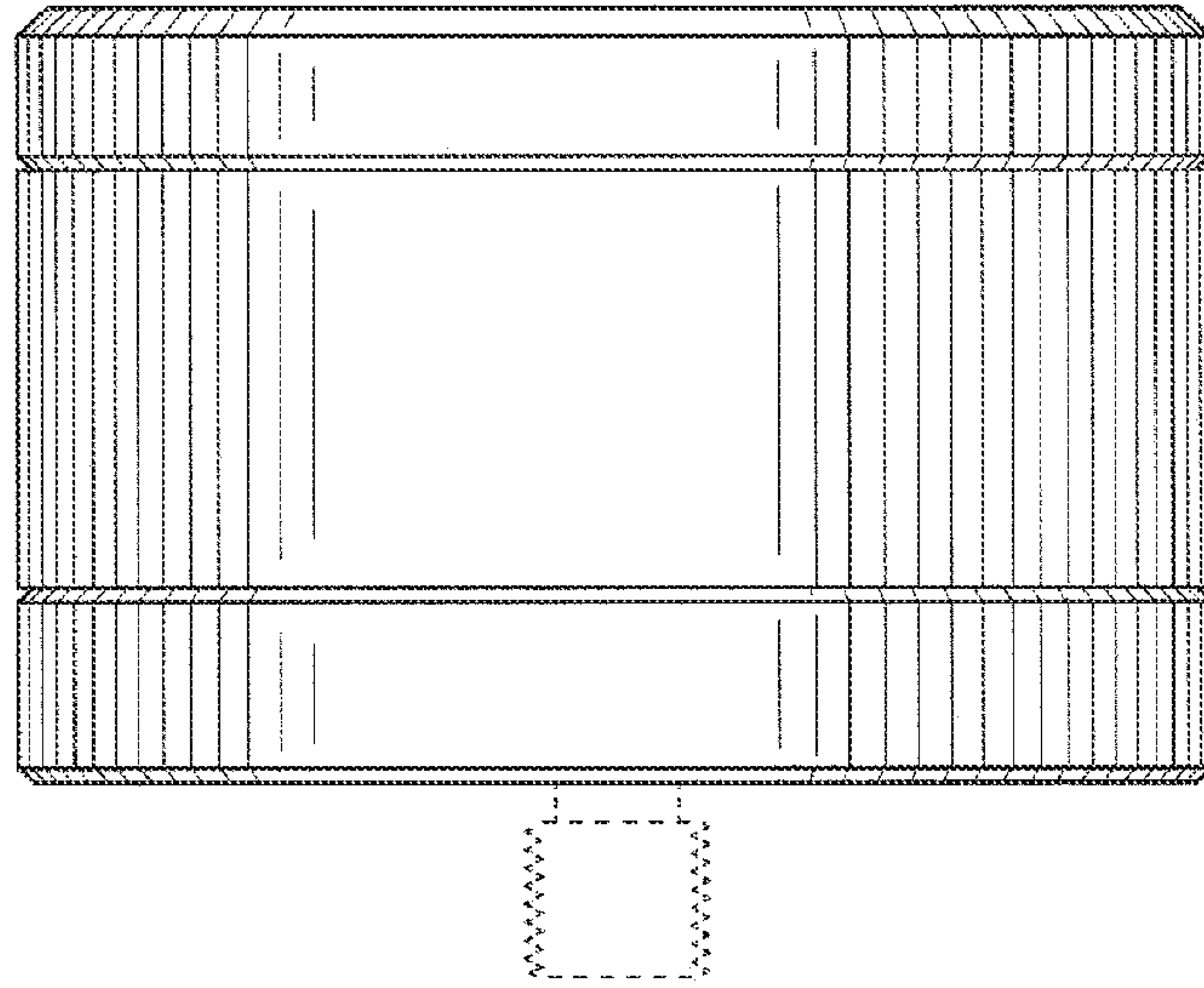


FIG. 2

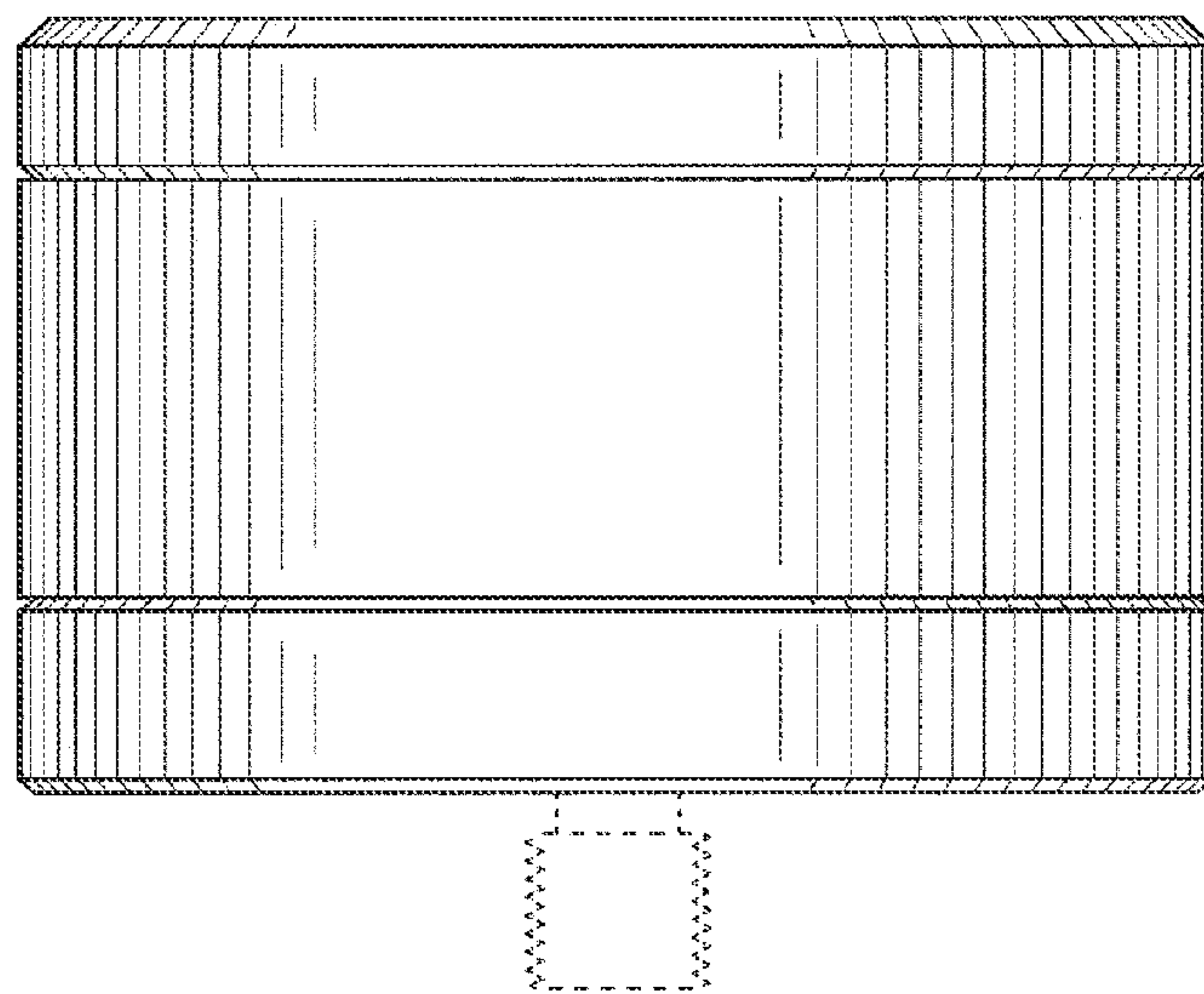


FIG. 3

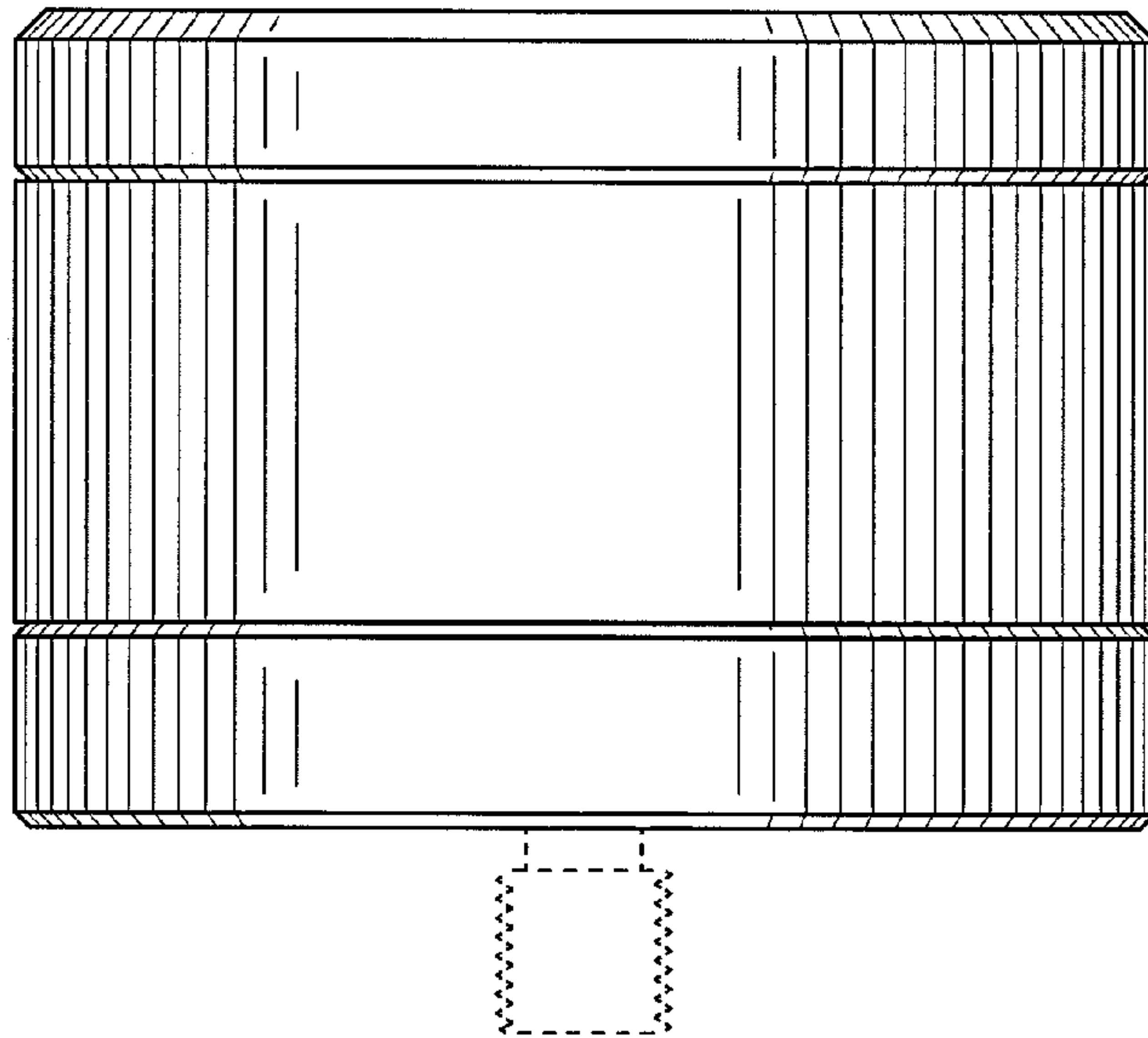


FIG. 4

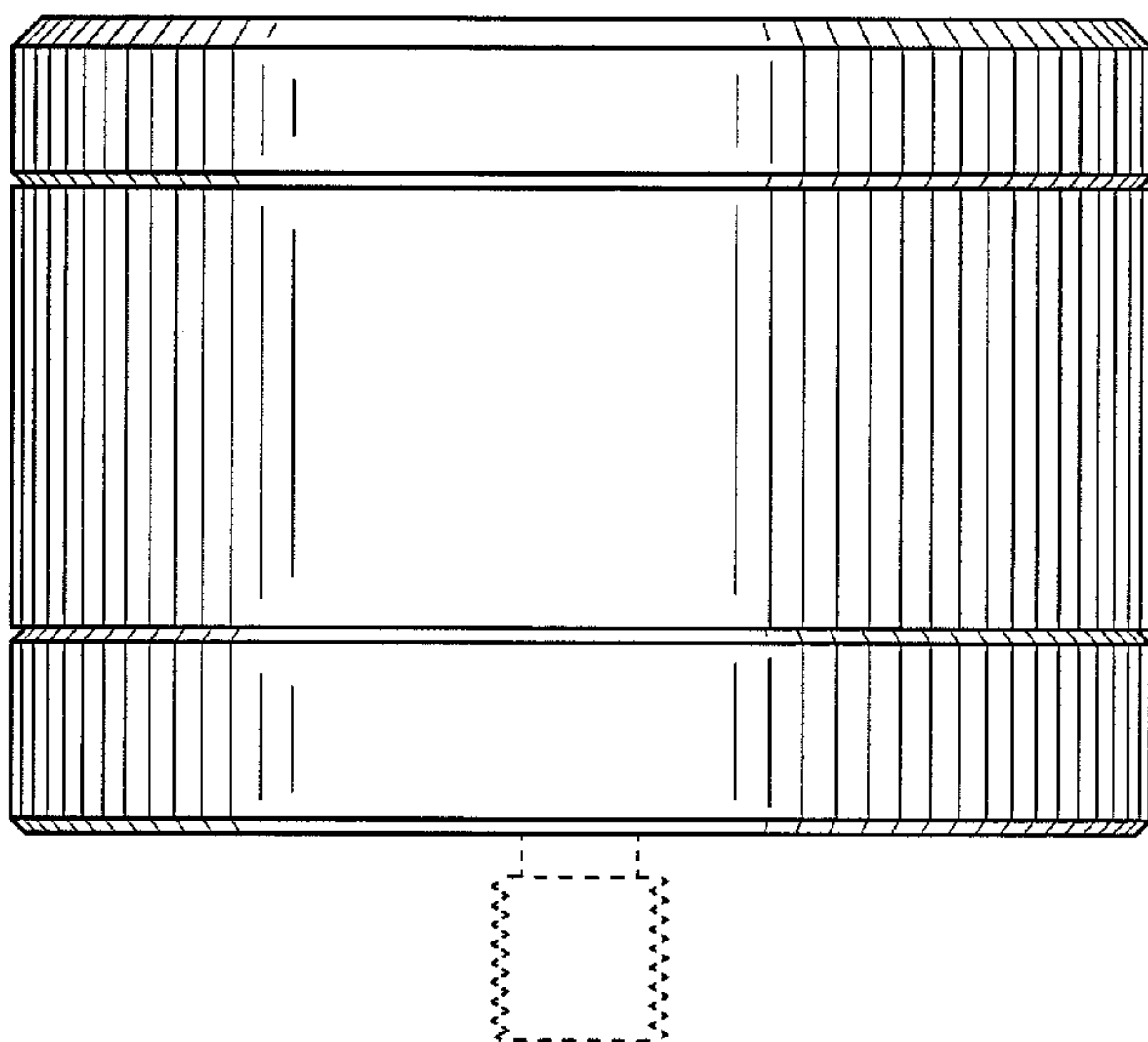


FIG. 5

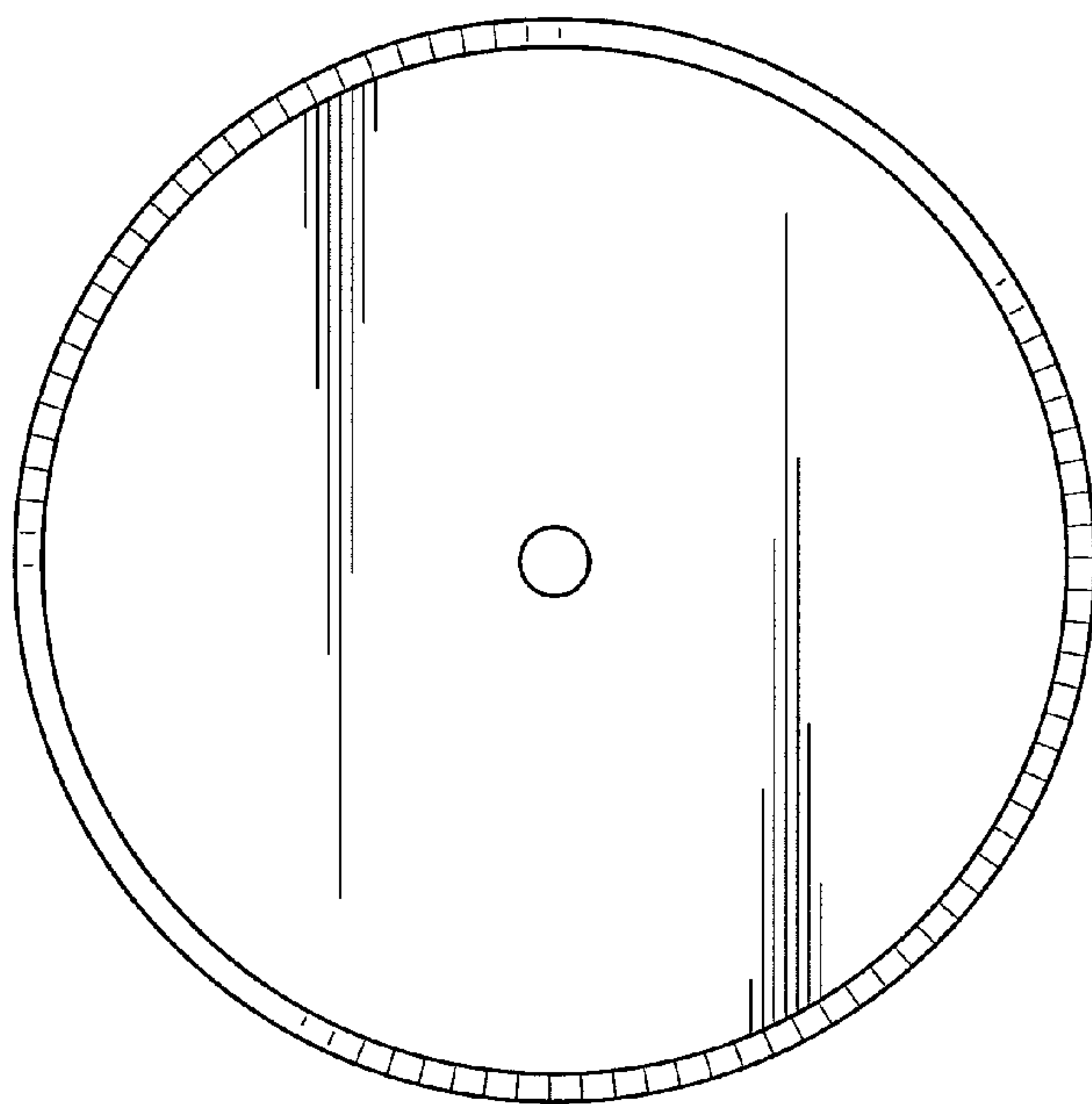


FIG. 6

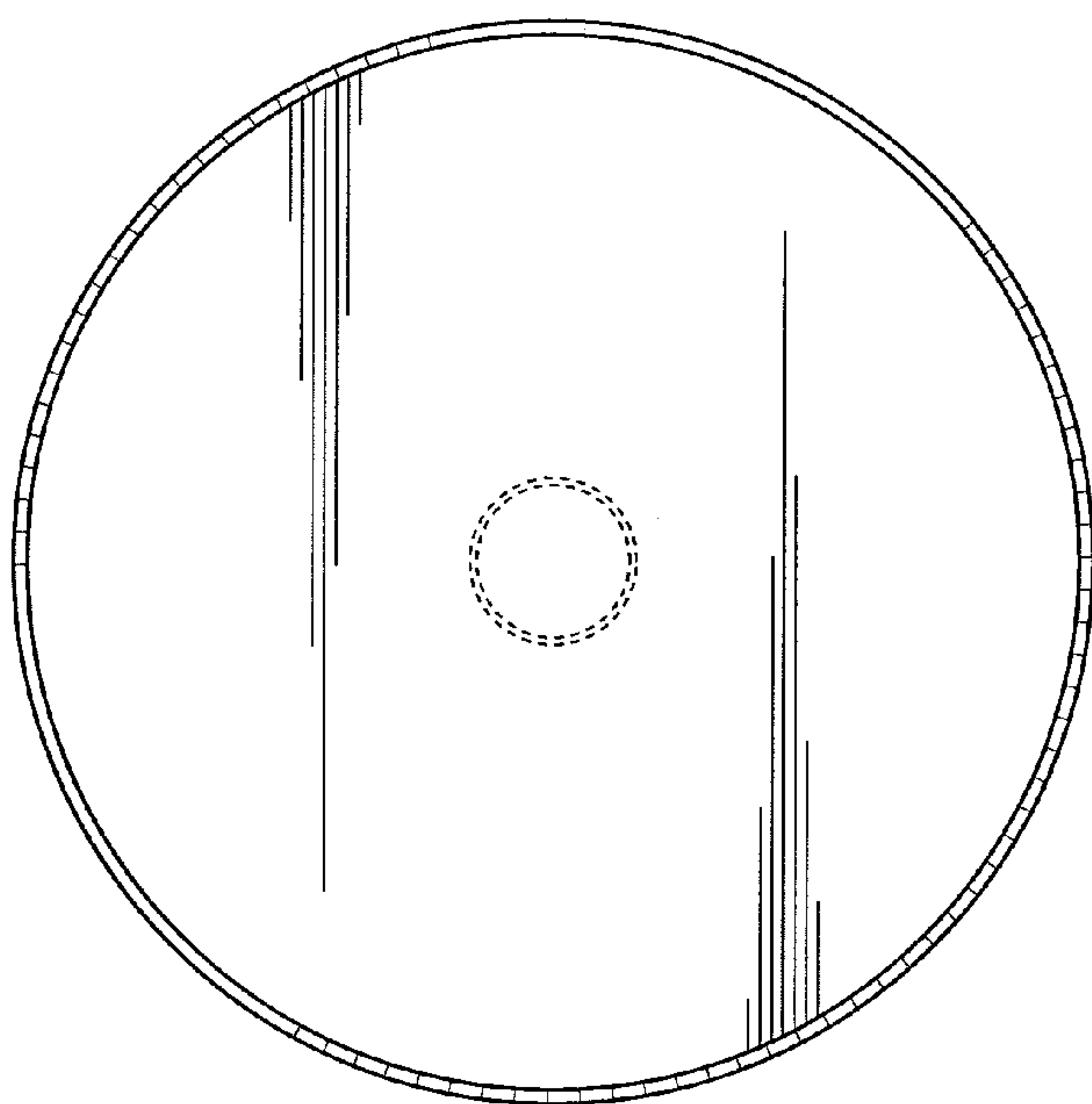


FIG. 7