



US00D679410S

(12) **United States Design Patent**
Parsons et al.

(10) **Patent No.:** **US D679,410 S**
(45) **Date of Patent:** **** Apr. 2, 2013**

(54) **SAMPLING AND TESTING DEVICE**

DESCRIPTION

(75) Inventors: **Sean Andrew Parsons**, East Brisbane (AU); **Steven David Dahl**, East Brisbane (AU); **Jennifer Maschmann**, Blackburn North (AU); **Kon Euan Gerard Wong**, Burwood (AU); **Stephen Robert Wilson**, Kew (AU); **Tim Ian Spink**, Box Hill (AU)

(73) Assignee: **Respirio Pty Ltd**, East Brisbane, Queensland (AU)

(**) Term: **14 Years**

(21) Appl. No.: **29/412,458**

(22) Filed: **Feb. 3, 2012**

(51) **LOC (9) Cl.** **24-01**

(52) **U.S. Cl.** **D24/223**

(58) **Field of Classification Search** D24/216–217, D24/219, 223–226, 227, 229–231, 232, 107, D24/121–123; D10/81; 422/408, 430, 500, 422/502, 503, 68.1; 436/163, 164, 169

See application file for complete search history.

(56) **References Cited**

U.S. PATENT DOCUMENTS

2,744,649 A * 5/1956 Smith D24/121
(Continued)

FOREIGN PATENT DOCUMENTS

EP 1918708 A2 5/2008
EP 1718973 B1 9/2009
WO 0198783 A2 12/2001
WO 2011091473 A1 8/2011

* cited by examiner

Primary Examiner — Anhdao Doan

(74) *Attorney, Agent, or Firm* — The Webb Law Firm

(57) **CLAIM**

The ornamental design for a sampling and testing device, as shown and described.

FIG. 1 is a perspective view of a sampling and testing device in an open position in accordance with the present invention. FIG. 2 is a right side view of the sampling and testing device of FIG. 1 in an open position in accordance with the present invention.

FIG. 3 is a left side view of the sampling and testing device of FIG. 1 in an open position in accordance with the present invention.

FIG. 4 is a top view of the sampling and testing device of FIG. 1 in an open position in accordance with the present invention.

FIG. 5 is a bottom view of the sampling and testing device of FIG. 1 in an open position in accordance with the present invention.

FIG. 6 is a rear view of the sampling and testing device of FIG. 1 in an open position in accordance with the present invention.

FIG. 7 is a front view of the sampling and testing device of FIG. 1 in an open position in accordance with the present invention.

FIG. 8 is a perspective view of the sampling and testing device of FIG. 1 in a closed position in accordance with the present invention.

FIG. 9 is a right side view of the sampling and testing device of FIG. 8 in a closed position in accordance with the present invention.

FIG. 10 is a left side view of the sampling and testing device of FIG. 8 in a closed position in accordance with the present invention.

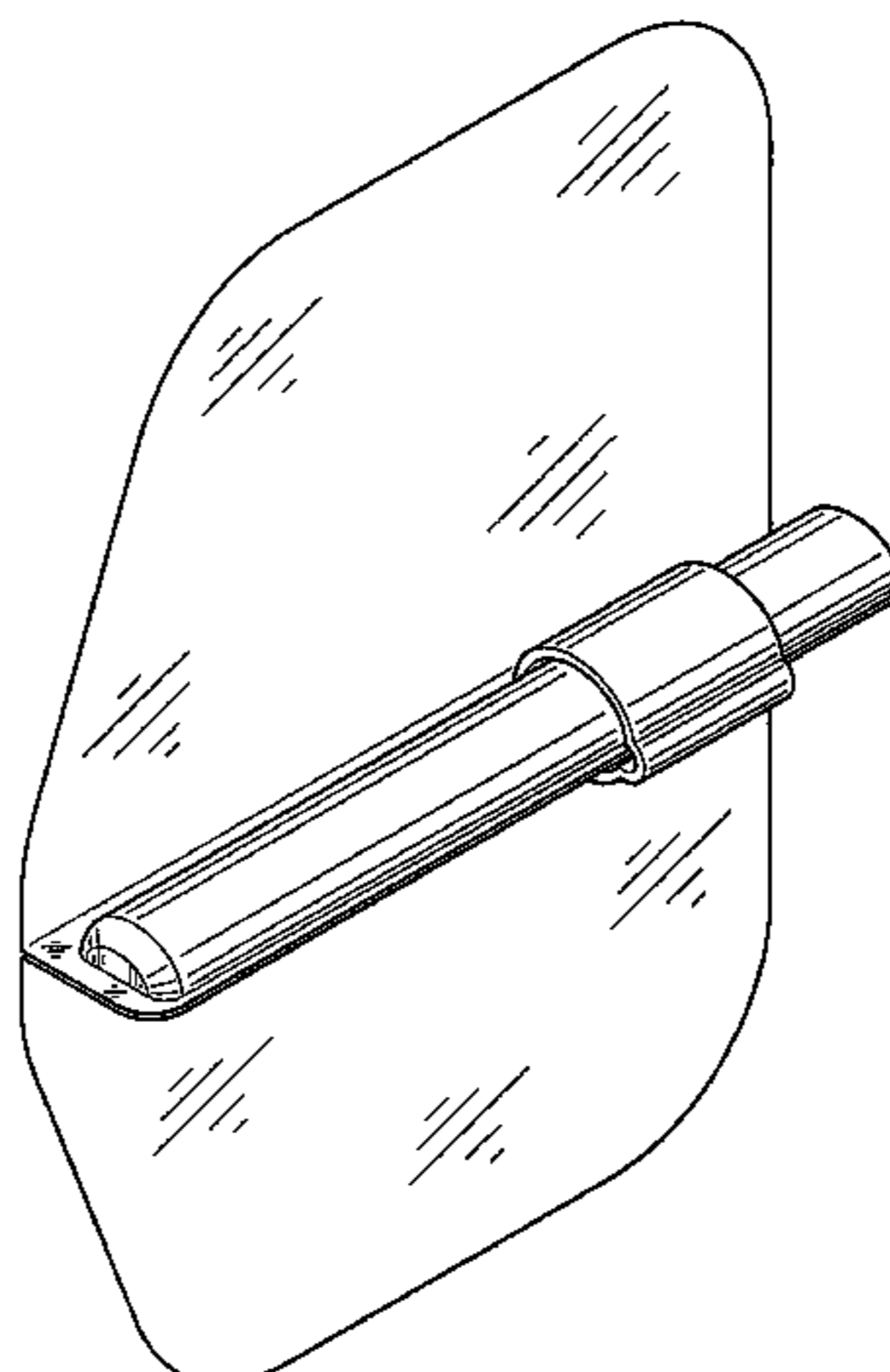
FIG. 11 is a top view of the sampling and testing device of FIG. 8 in a closed position in accordance with the present invention.

FIG. 12 is a bottom view of the sampling and testing device of FIG. 8 in a closed position in accordance with the present invention.

FIG. 13 is a rear view of the sampling and testing device of FIG. 8 in a closed position in accordance with the present invention; and,

FIG. 14 is a front view of the sampling and testing device of FIG. 8 in a closed position in accordance with the present invention.

1 Claim, 10 Drawing Sheets



US D679,410 S

Page 2

U.S. PATENT DOCUMENTS

| | | | | | | | | | |
|-----------|-----|---------|--------------------|---------|--------------|------|---------|--------------------|-----------|
| 4,018,652 | A * | 4/1977 | Lanham et al. | 435/36 | D594,131 | S * | 6/2009 | Nguyen | D24/216 |
| D292,433 | S * | 10/1987 | Griffin | D24/224 | 7,879,623 | B2 * | 2/2011 | Guirguis | 436/514 |
| D315,600 | S * | 3/1991 | Niven | D24/223 | D657,474 | S * | 4/2012 | Dona | D24/224 |
| 4,999,287 | A | 3/1991 | Allen et al. | | 2003/0032199 | A1 | 2/2003 | Meusel et al. | |
| D325,881 | S * | 5/1992 | Brayton et al. | D10/81 | 2004/0019301 | A1 | 1/2004 | Wong et al. | |
| D327,008 | S * | 6/1992 | Friedman | D24/224 | 2004/0161788 | A1* | 8/2004 | Chen et al. | 435/287.2 |
| D358,218 | S * | 5/1995 | Groothuizen et al. | D24/223 | 2005/0196318 | A1 | 9/2005 | Matuszewicz et al. | |
| 5,942,407 | A | 8/1999 | Liotta et al. | | 2006/0025732 | A1 | 2/2006 | Ying et al. | |
| 6,319,665 | B1 | 11/2001 | Zwanziger et al. | | 2007/0184495 | A1 | 8/2007 | Shaari | |
| D483,496 | S * | 12/2003 | Kjendlie | D24/223 | 2007/0231923 | A1 | 10/2007 | Cumberland et al. | |
| D573,910 | S * | 7/2008 | Rooney | D10/81 | 2007/0298436 | A1 | 12/2007 | Lappe | |
| | | | | | 2008/0113427 | A1 | 5/2008 | Kikta | |

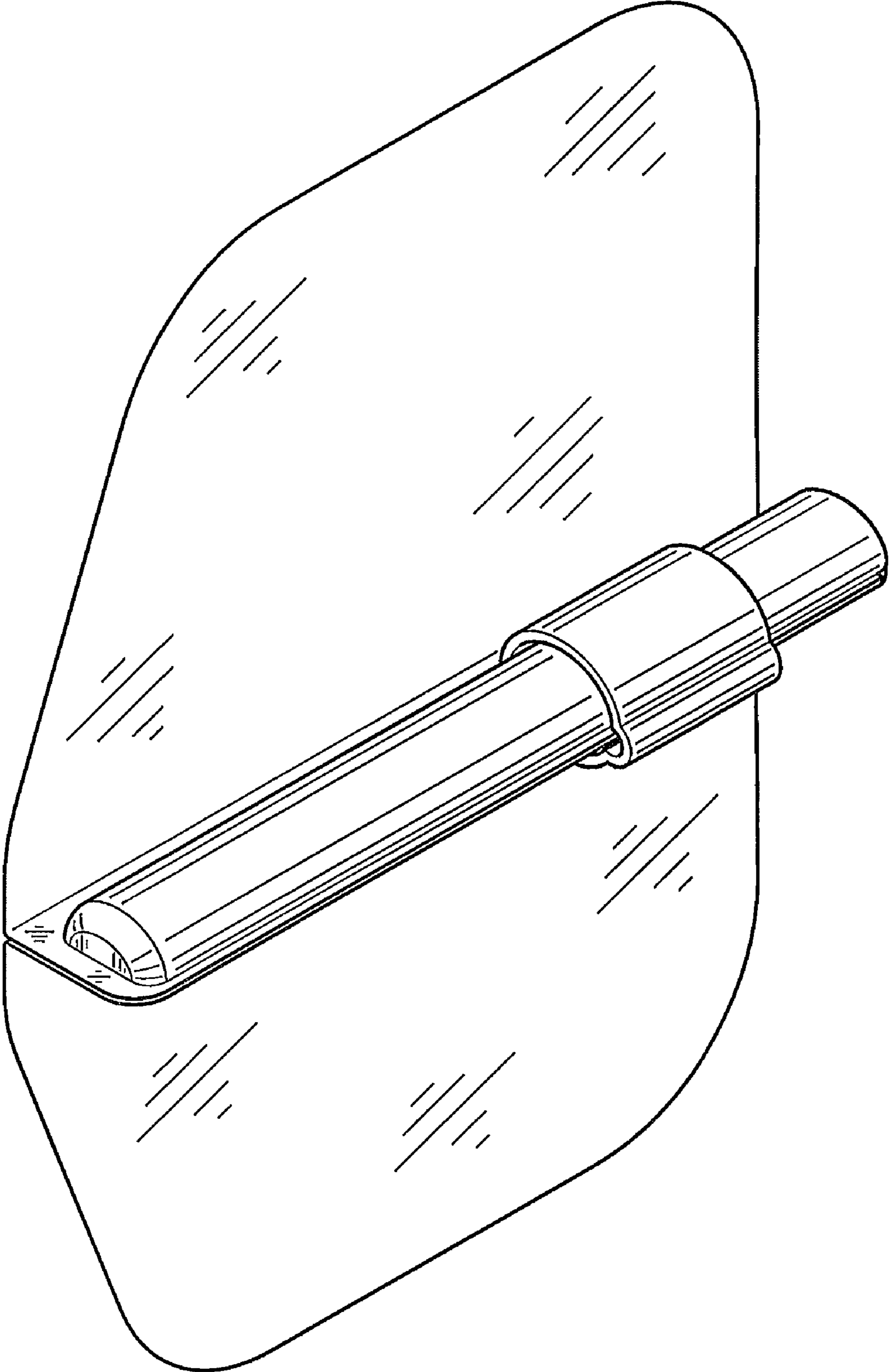


FIG. 1

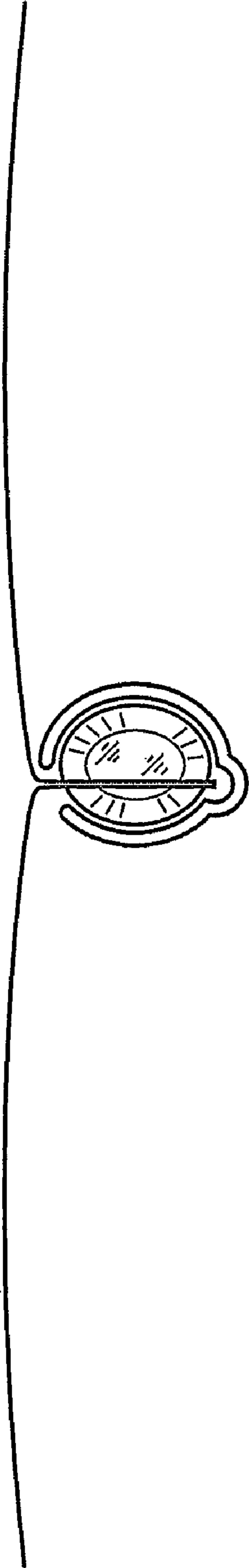


FIG. 2

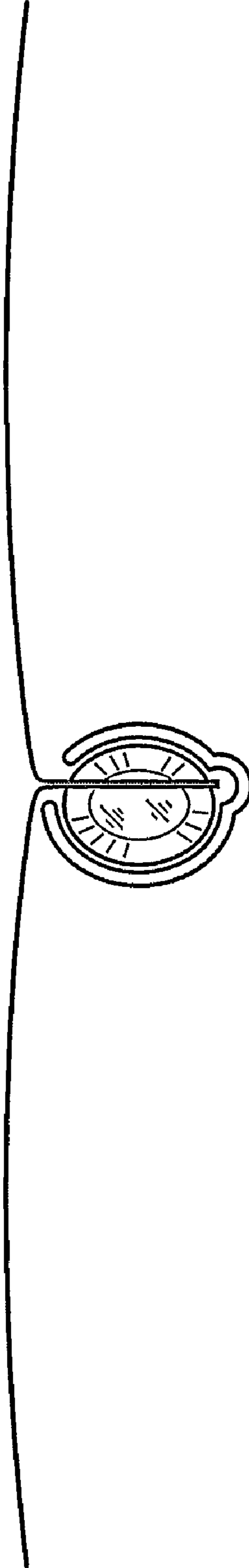


FIG. 3

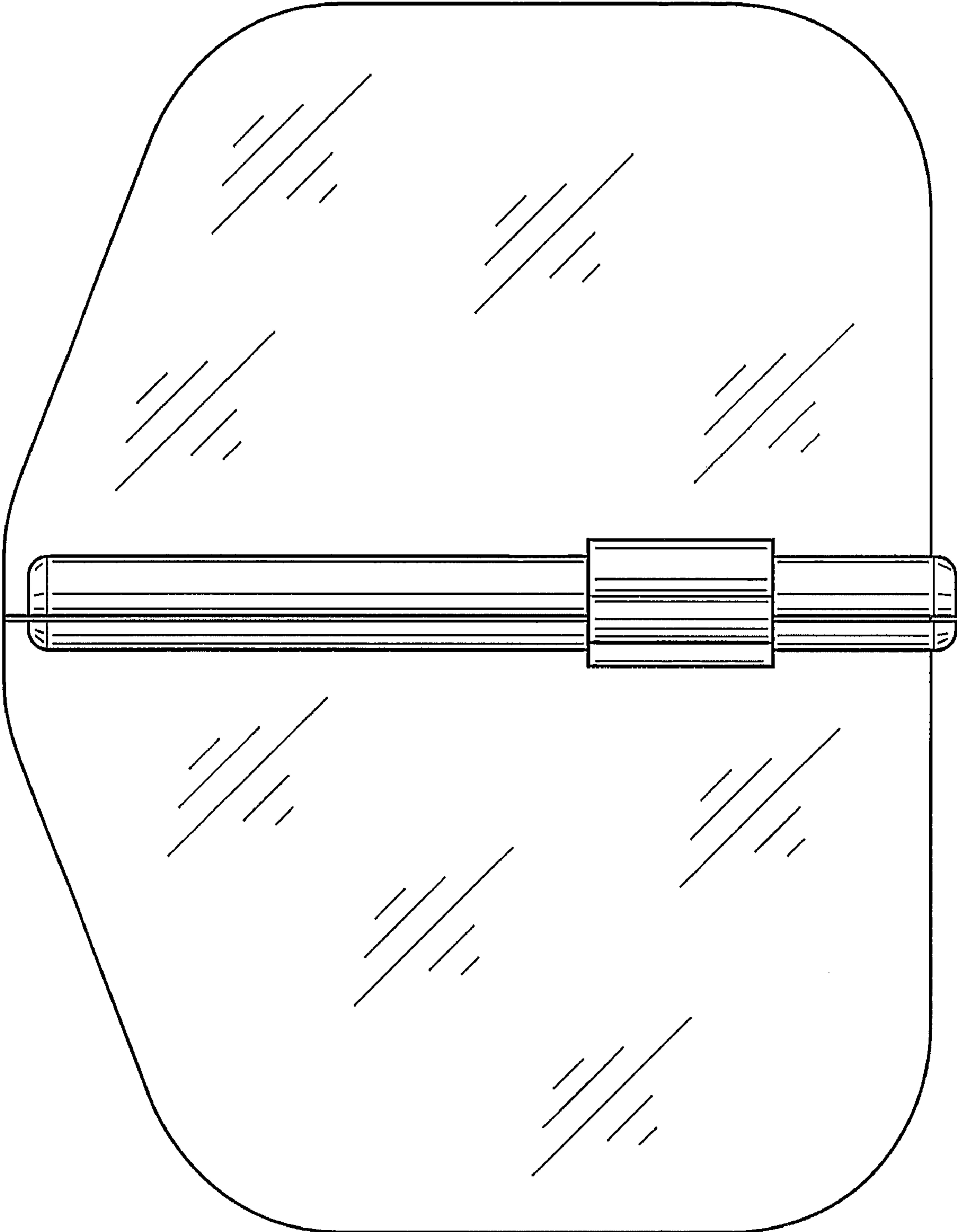


FIG. 4

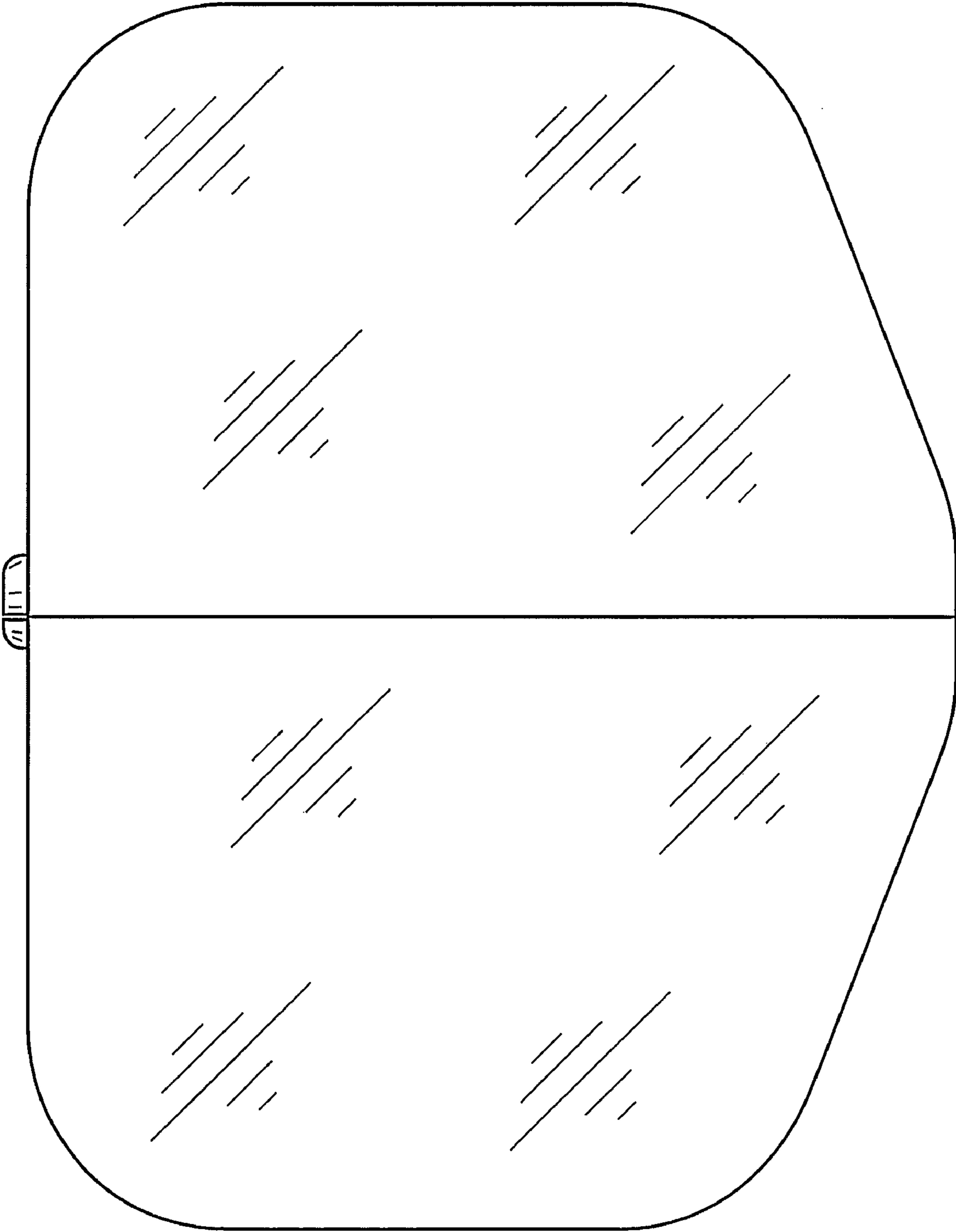


FIG. 5

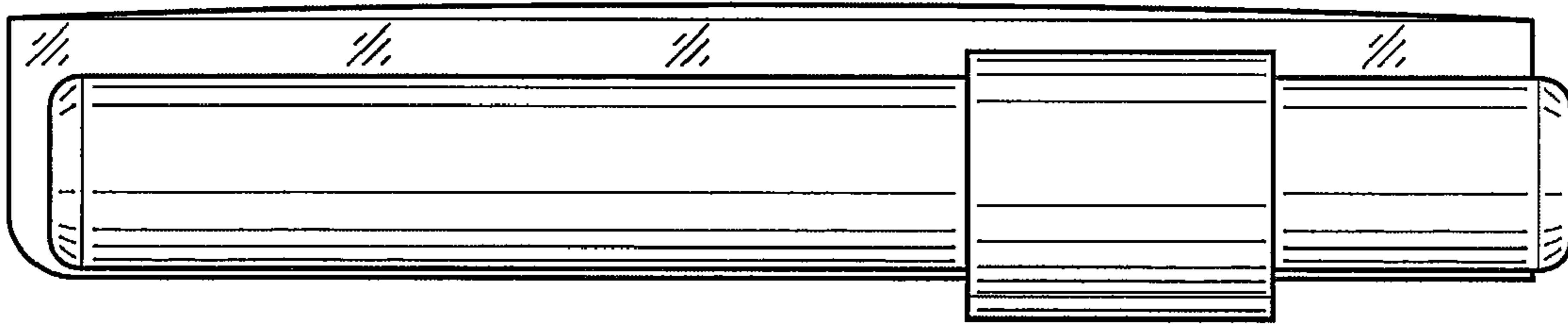


FIG. 6

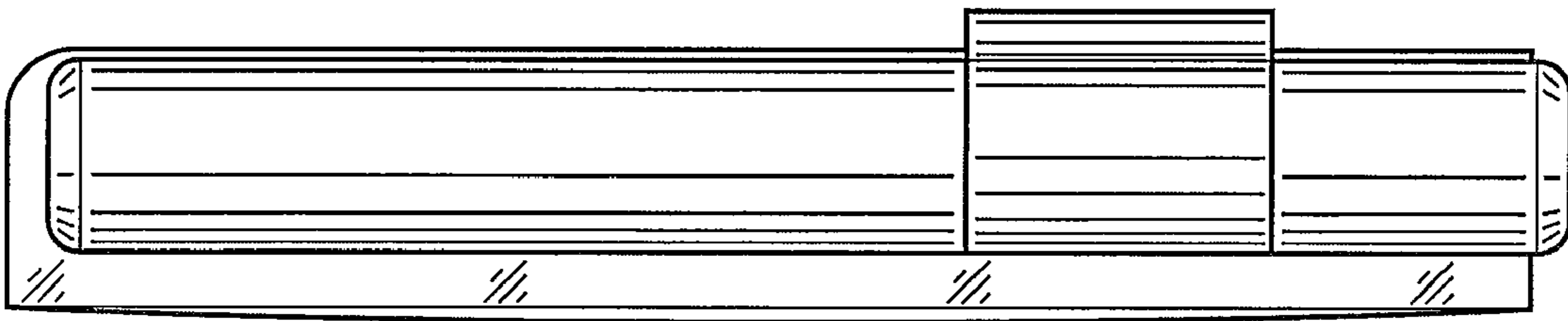


FIG. 7

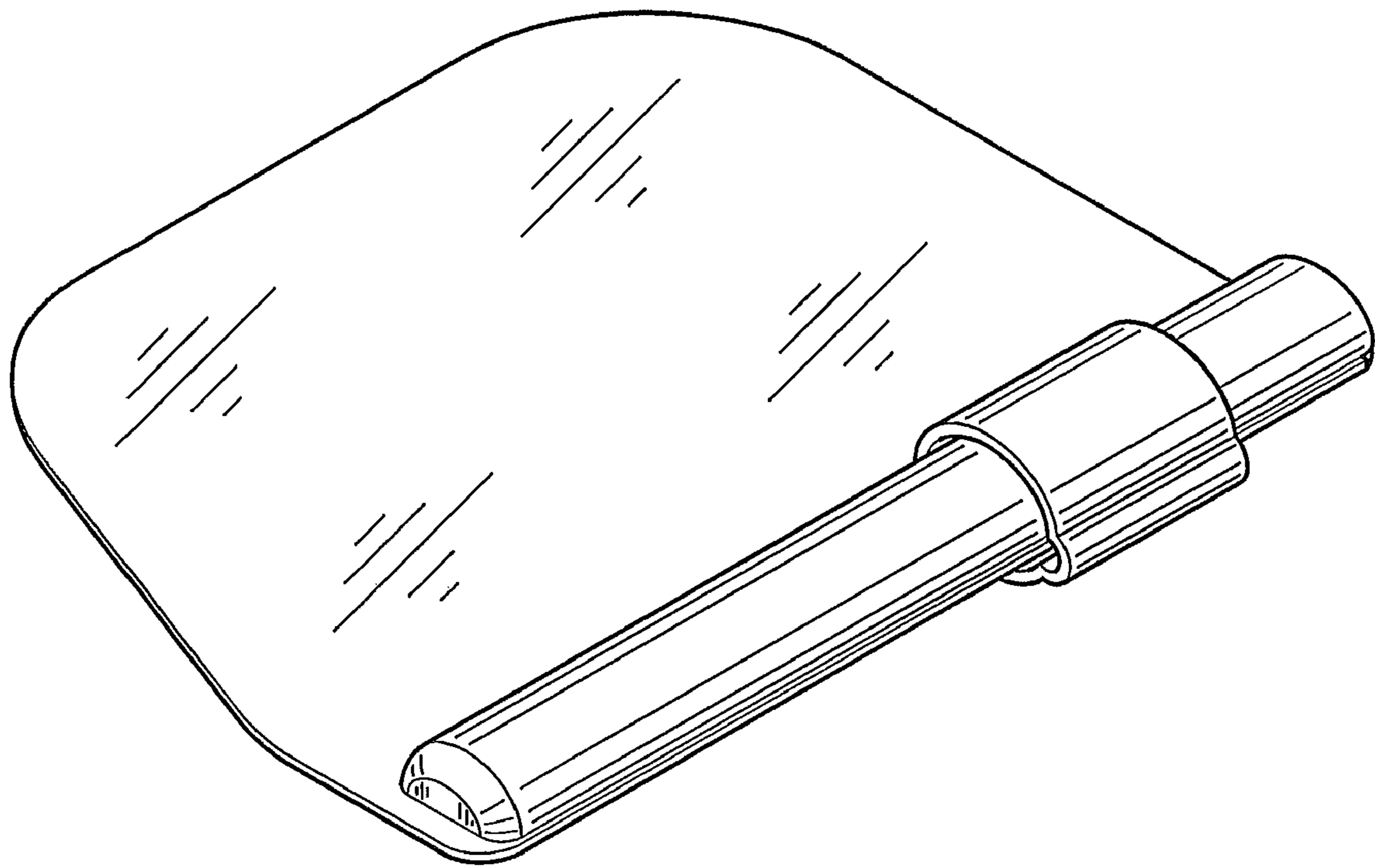


FIG. 8



FIG. 9

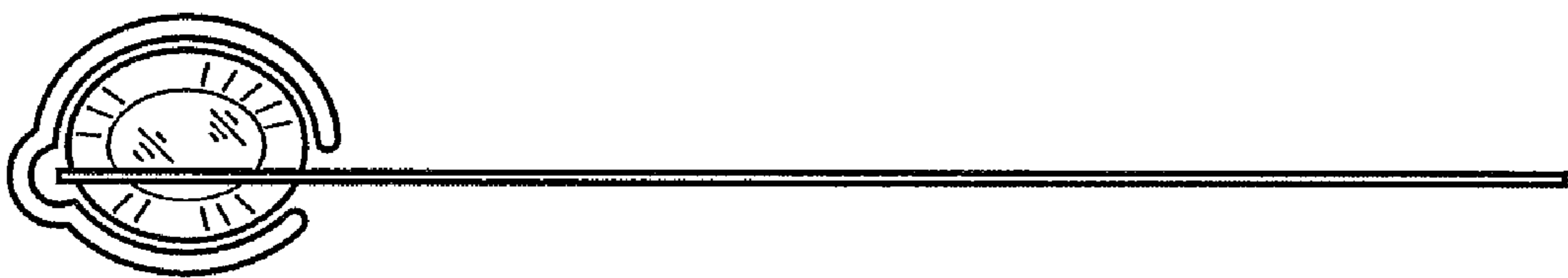


FIG. 10

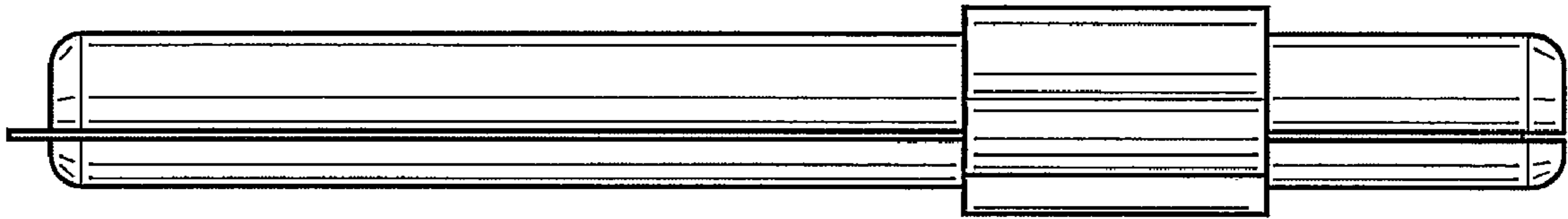


FIG. 11

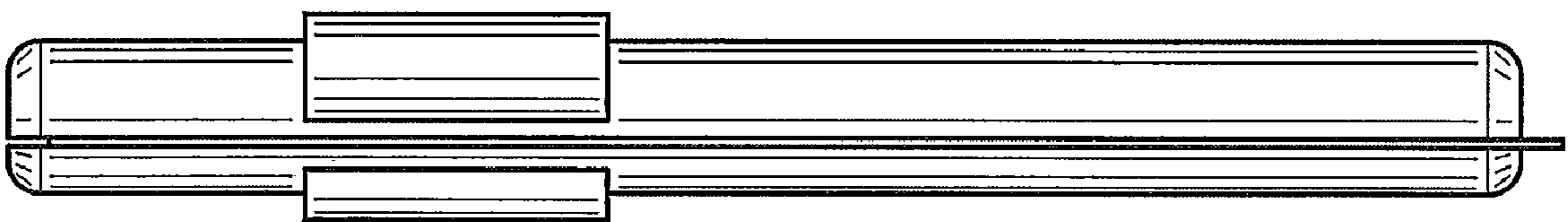


FIG. 12

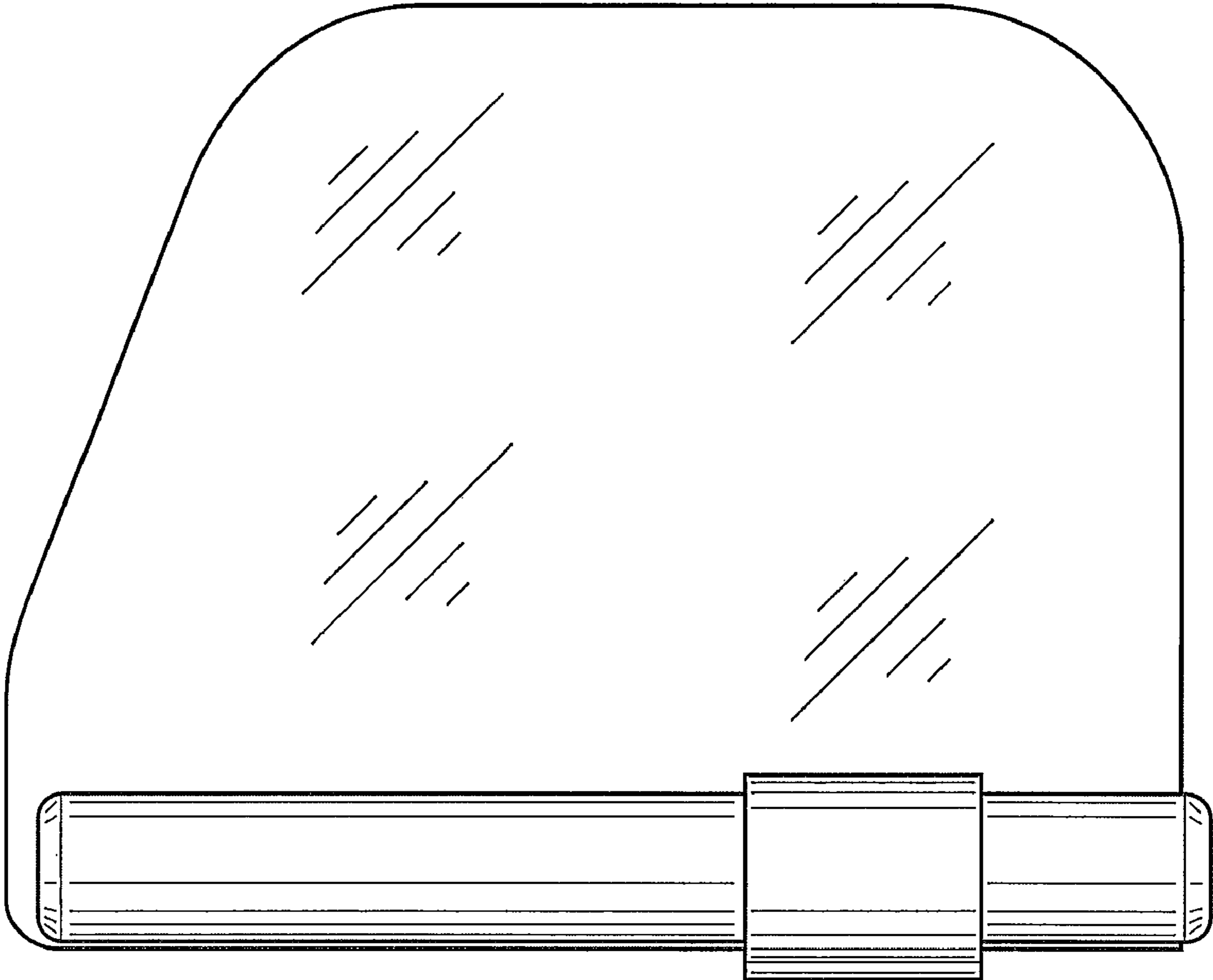


FIG. 13

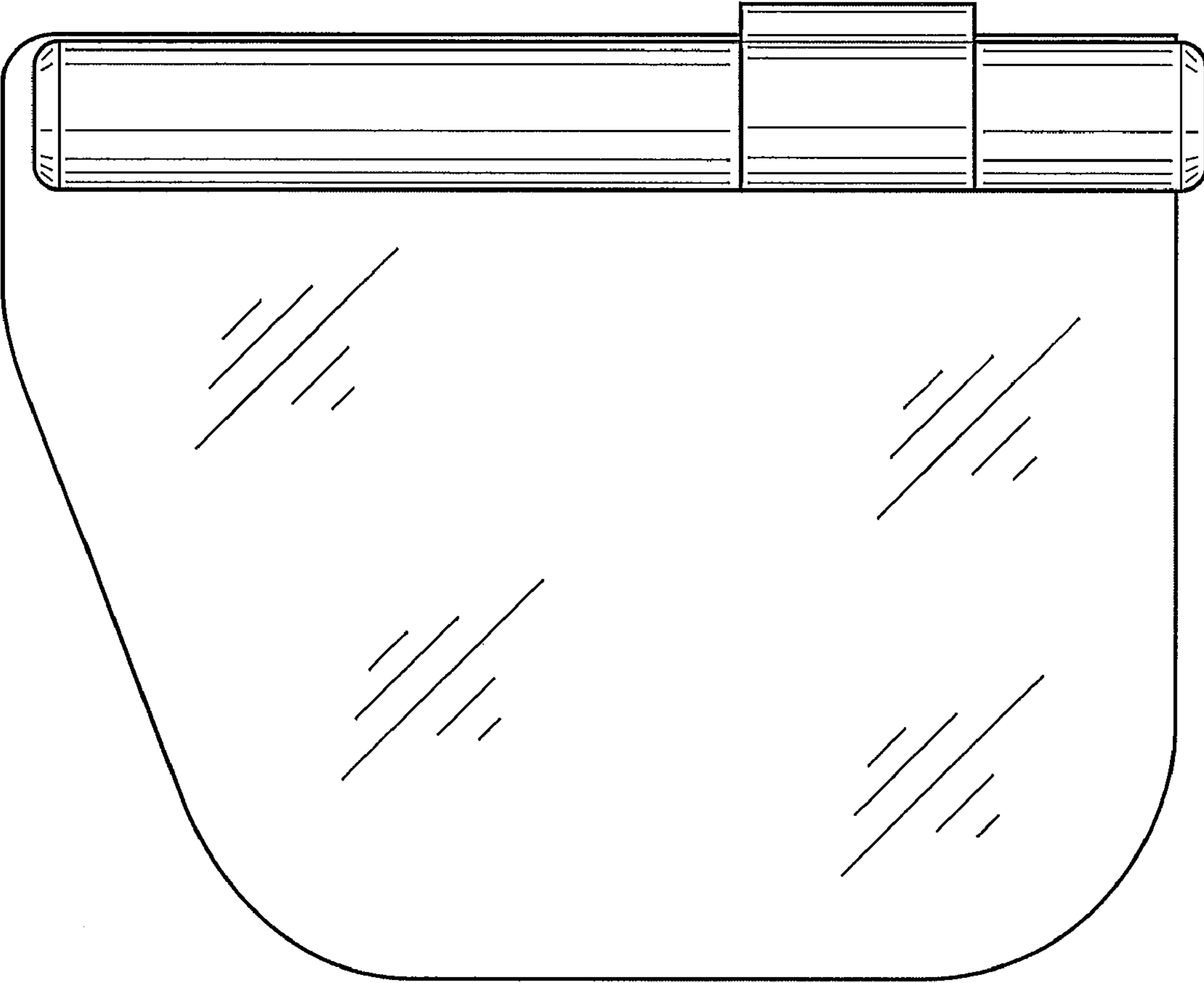


FIG. 14