



US00D679408S

(12) **United States Design Patent**  
**Enderby**

(10) **Patent No.:** **US D679,408 S**

(45) **Date of Patent:** **\*\* Apr. 2, 2013**

(54) **THERMAL PAD DEVICE FOR BREAST THERAPY**

D615,302 S \* 5/2010 Yang ..... D3/327  
D630,332 S \* 1/2011 Richards ..... D24/190  
D636,494 S \* 4/2011 Garth et al. .... D24/190  
D667,129 S \* 9/2012 Shelton ..... D24/207

(76) Inventor: **Chistine L. Enderby**, Portland, OR (US)

\* cited by examiner

(\*\*) Term: **14 Years**

*Primary Examiner* — David Muller

(21) Appl. No.: **29/426,684**

(74) *Attorney, Agent, or Firm* — Mark S. Hubert

(22) Filed: **Jul. 9, 2012**

(51) **LOC (9) Cl.** ..... **24-04**

(52) **U.S. Cl.** ..... **D24/206**

(58) **Field of Classification Search** ..... D24/206–208,  
D24/189–192; 602/1–7, 17–27, 61–66, 74;  
128/95.1, 96–197.1, 100.1, 101.1, 876; 606/204,  
606/27; 607/96, 108, 109, 111, 112; D29/101.2,  
D29/101.5, 120.1, 121.1; D3/327; 601/15;  
126/204; D2/600

See application file for complete search history.

(57) **CLAIM**

The ornamental design for the thermal pad device for breast therapy, as shown and described.

**DESCRIPTION**

FIG. 1 is a front perspective view of the thermal pad device for breast therapy;

FIG. 2 is a front perspective view of the thermal pad device for breast therapy wherein the ends are connected via its fastener;

FIG. 3 is a front perspective view of the thermal pad device for breast therapy folded about its midpoint;

FIG. 4 is a front view of the thermal pad device for breast therapy;

FIG. 5 is a right-side view of the thermal pad device for breast therapy; and,

FIG. 6 is a back view of the thermal pad device for breast therapy.

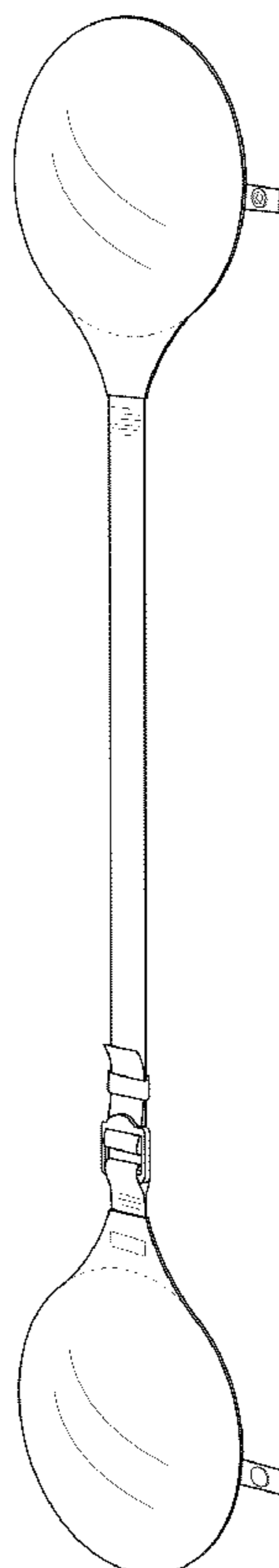
The broken lines shown in FIGS. 1-6 represent stitching and form no part of the claimed design.

(56) **References Cited**

U.S. PATENT DOCUMENTS

D91,840 S \* 3/1934 Proctor ..... D24/207  
D140,199 S \* 1/1945 Woodruff ..... D24/207  
3,677,250 A \* 7/1972 Thomas ..... 604/180  
D257,426 S \* 10/1980 D'Alo ..... D8/300  
D333,350 S \* 2/1993 Redira, Jr. .... D24/206  
D354,812 S \* 1/1995 Jasen et al. .... D24/189  
D363,991 S \* 11/1995 Benware et al. .... D24/200  
D493,001 S \* 7/2004 Urban et al. .... D24/190  
D507,056 S \* 7/2005 Friedland ..... D24/206

**1 Claim, 2 Drawing Sheets**



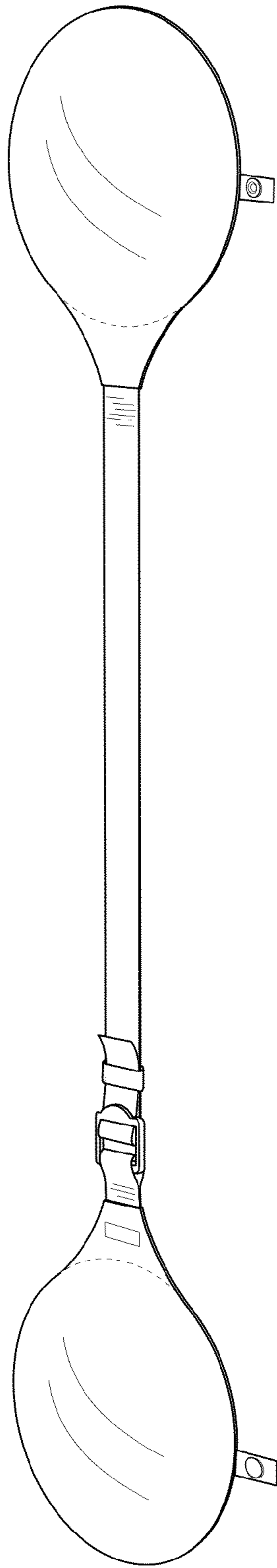


FIG. 1

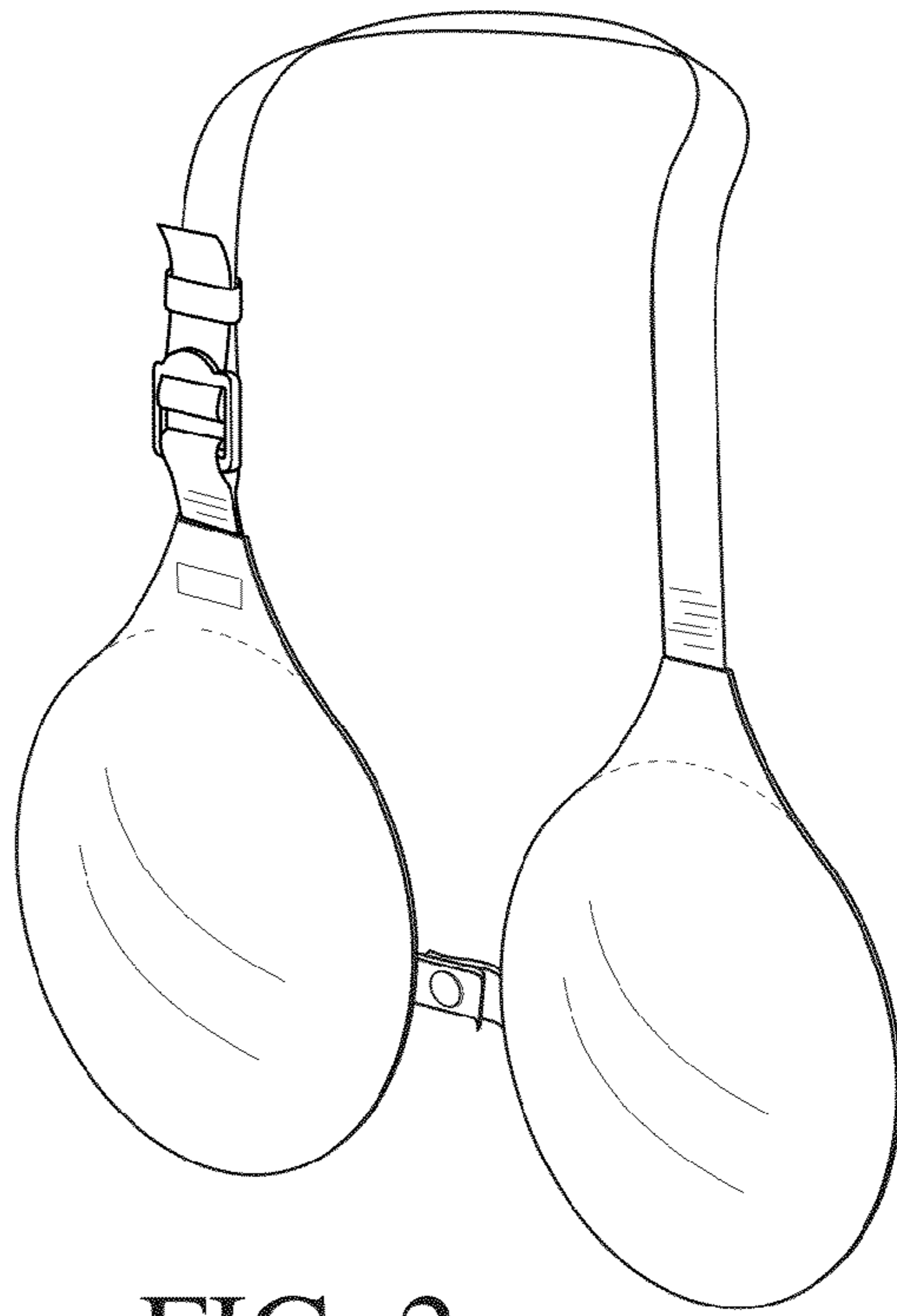


FIG. 2

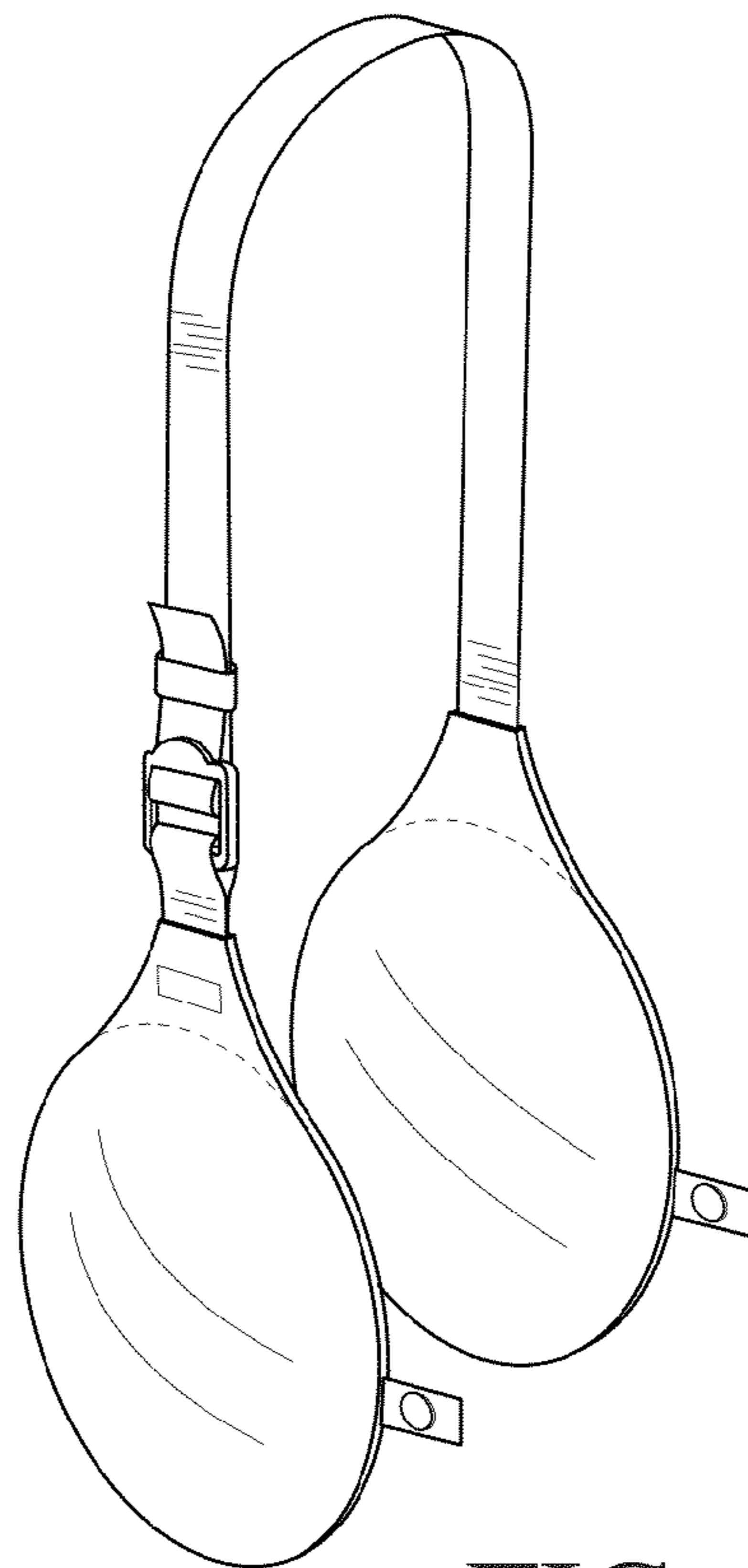


FIG. 3

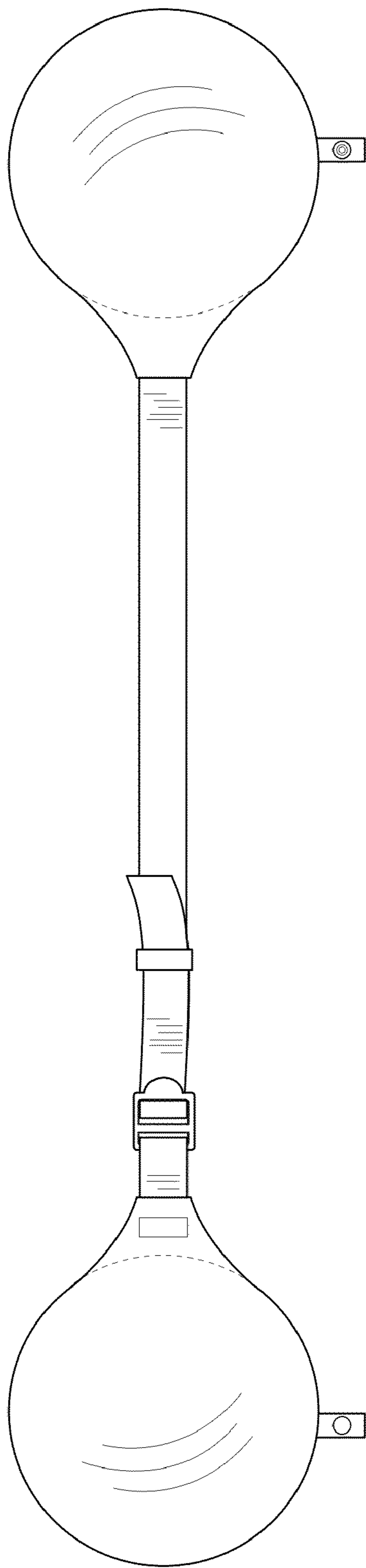


FIG. 4

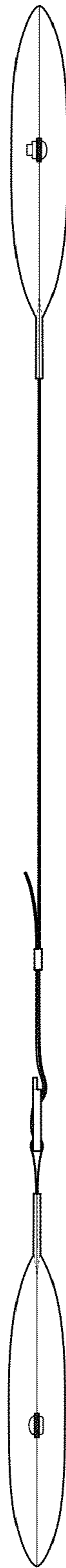


FIG. 5

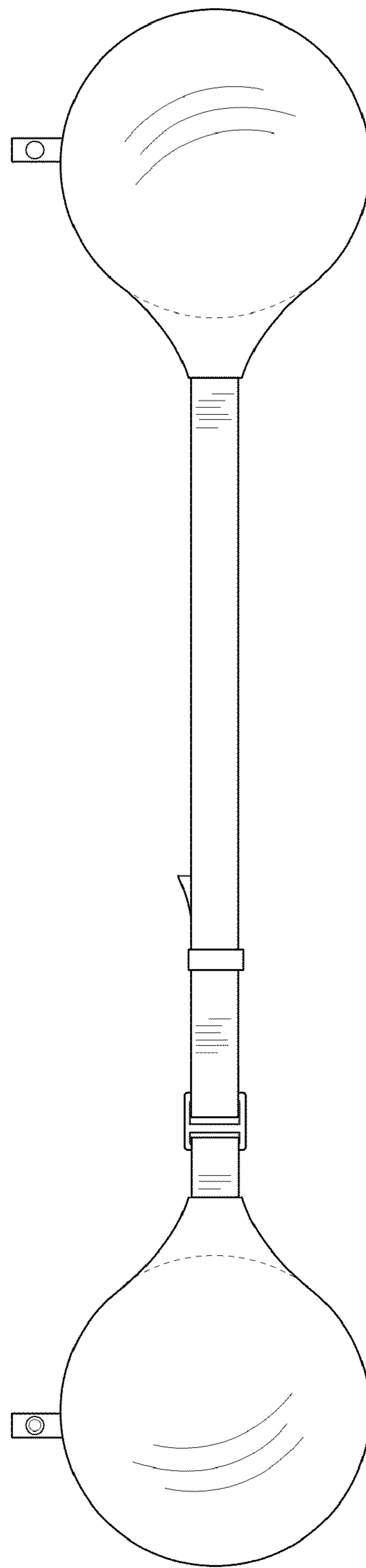


FIG. 6

UNITED STATES PATENT AND TRADEMARK OFFICE  
**CERTIFICATE OF CORRECTION**

PATENT NO. : D679,408 S  
APPLICATION NO. : 29/426684  
DATED : April 2, 2013  
INVENTOR(S) : Christine L. Enderby

Page 1 of 1

It is certified that error appears in the above-identified patent and that said Letters Patent is hereby corrected as shown below:

Title page, item “(76) Inventor,” please change the inventor’s given name from “Chistine” to  
--Christine--.

Signed and Sealed this  
Eighteenth Day of August, 2015



Michelle K. Lee  
*Director of the United States Patent and Trademark Office*