



US00D679400S

(12) **United States Design Patent**  
**Hiramura**

(10) **Patent No.:** **US D679,400 S**

(45) **Date of Patent:** **\*\* \*Apr. 2, 2013**

(54) **BLOOD GLUCOSE TEST METER**

(75) Inventor: **Fumito Hiramura**, Kyoto (JP)

(73) Assignee: **Arkray, Inc.** (JP)

(\*) Notice: This patent is subject to a terminal disclaimer.

(\*\*) Term: **14 Years**

(21) Appl. No.: **29/399,212**

(22) Filed: **Aug. 10, 2011**

(30) **Foreign Application Priority Data**

Feb. 15, 2011 (JP) ..... D2011-003124

(51) **LOC (9) Cl.** ..... **24-01**

(52) **U.S. Cl.** ..... **D24/169**

(58) **Field of Classification Search** ..... D24/165-169,  
D24/107, 186, 216, 223, 231, 232; D10/46,  
D10/81; D14/341; 422/56, 58, 68.1; 600/316,  
600/322, 347, 365, 368  
See application file for complete search history.

(56) **References Cited**

**U.S. PATENT DOCUMENTS**

6,377,894	B1 *	4/2002	Deweese et al.	422/68.1
D471,280	S	3/2003	Jaeck	
D493,536	S	7/2004	Jaeck et al.	
D510,711	S *	10/2005	Syme et al.	D10/81
D545,436	S *	6/2007	Padain	D24/169
D545,438	S *	6/2007	Huang et al.	D24/186
D546,216	S *	7/2007	Bolognesi et al.	D10/81
D585,135	S *	1/2009	Mori et al.	D24/169
D590,063	S *	4/2009	Garthoff et al.	D24/186
D595,415	S *	6/2009	Fukuzawa	D24/186
7,731,900	B2 *	6/2010	Haar et al.	422/66

D626,651	S *	11/2010	Brauer et al.	D24/169
D630,113	S *	1/2011	Orr et al.	D10/81
D633,814	S *	3/2011	Nishiyama	D10/81
2006/0259676	A1 *	11/2006	Oberding et al.	600/365

**FOREIGN PATENT DOCUMENTS**

JP	1353862	S	3/2009
JP	1354727	S	3/2009
JP	1397613	S	9/2010

\* cited by examiner

*Primary Examiner* — Anhdao Doan

(74) *Attorney, Agent, or Firm* — Studebaker & Brackett PC;  
Donald R. Studebaker

(57) **CLAIM**

The ornamental design for a blood glucose test meter, as shown and described.

**DESCRIPTION**

FIG. 1 is a front elevational view of the blood glucose test meter;

FIG. 2 is a rear elevational view of the blood glucose test meter;

FIG. 3 is a left side elevational view of the blood glucose test meter;

FIG. 4 is a right side elevational view of the blood glucose test meter;

FIG. 5 is a top plan view of the blood glucose test meter;

FIG. 6 is a bottom plan view of the blood glucose test meter;

FIG. 7 is a perspective view of the blood glucose test meter; and,

FIG. 8 is another perspective view of the blood glucose test meter.

The broken lines in the drawing views are included for the purpose of illustrating portions of the blood glucose test meter that form no part of the claimed design.

**1 Claim, 5 Drawing Sheets**

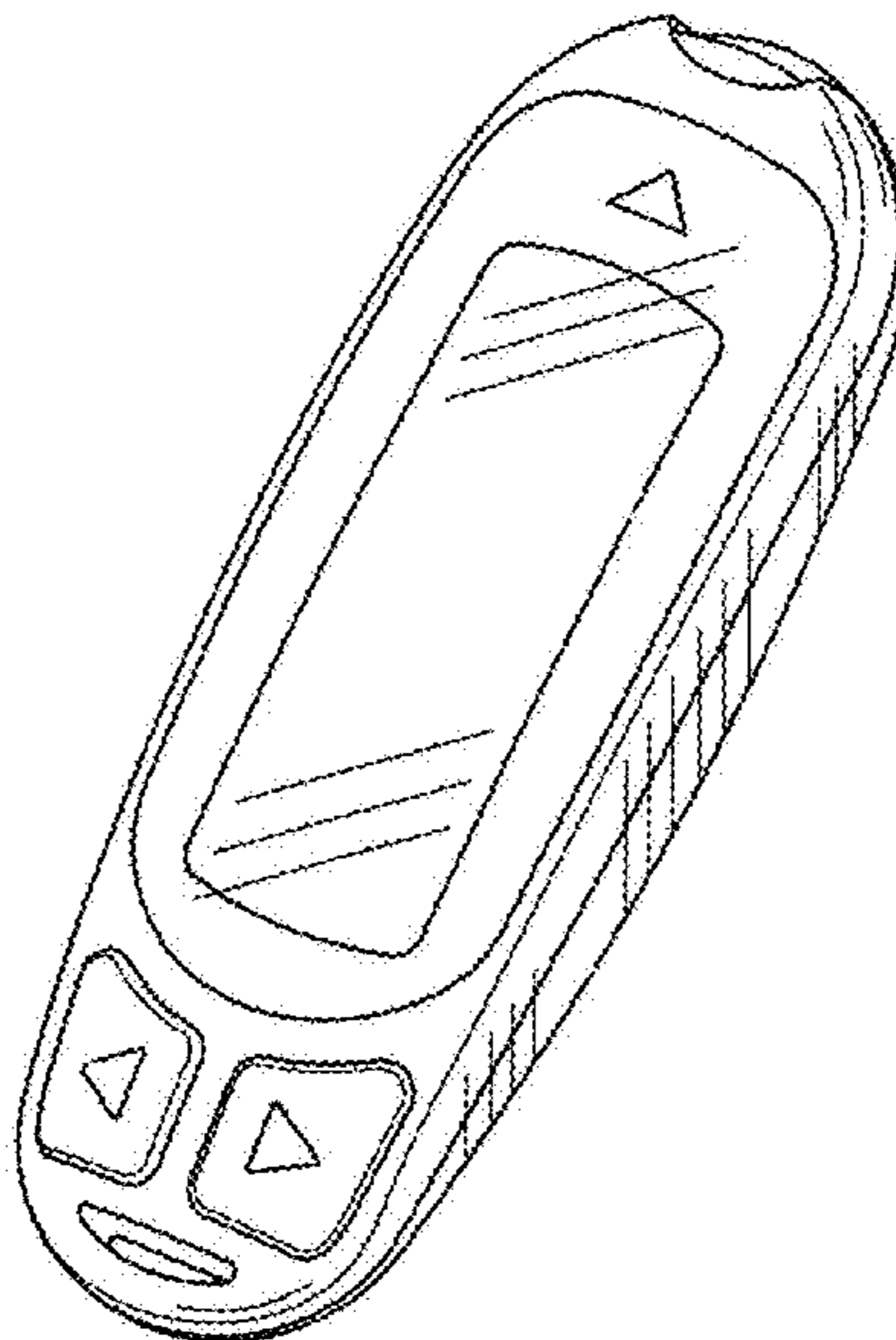


FIG. 1

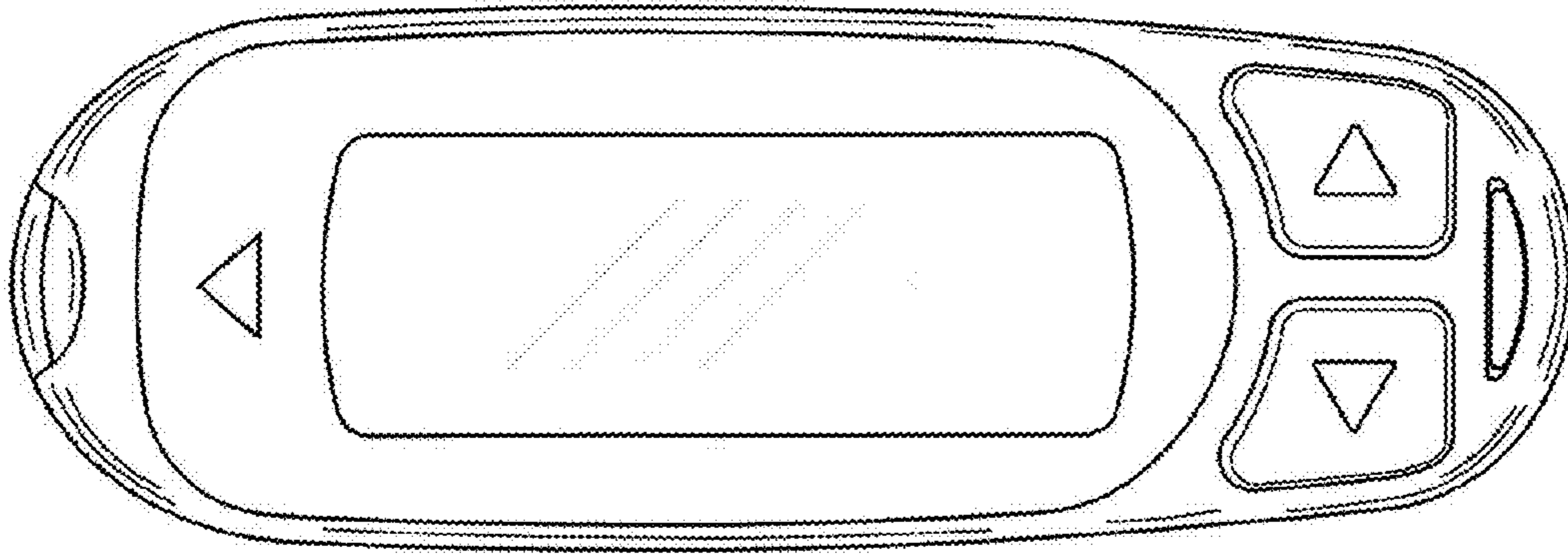


FIG. 2

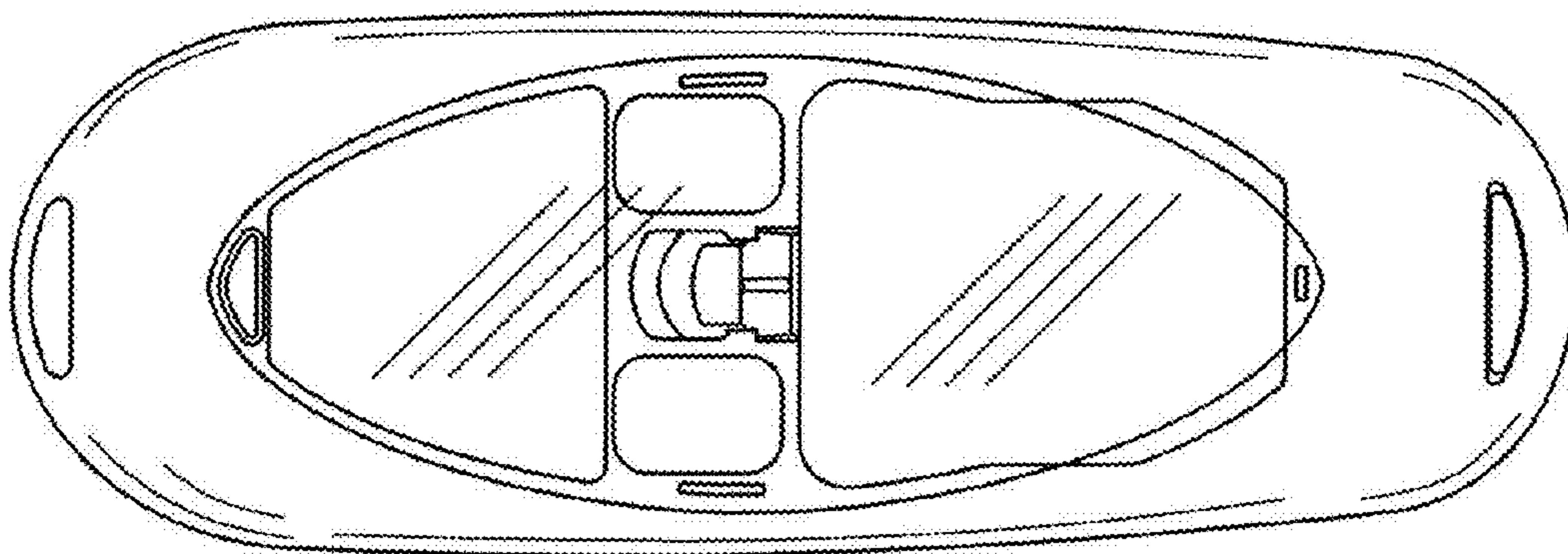


FIG. 3

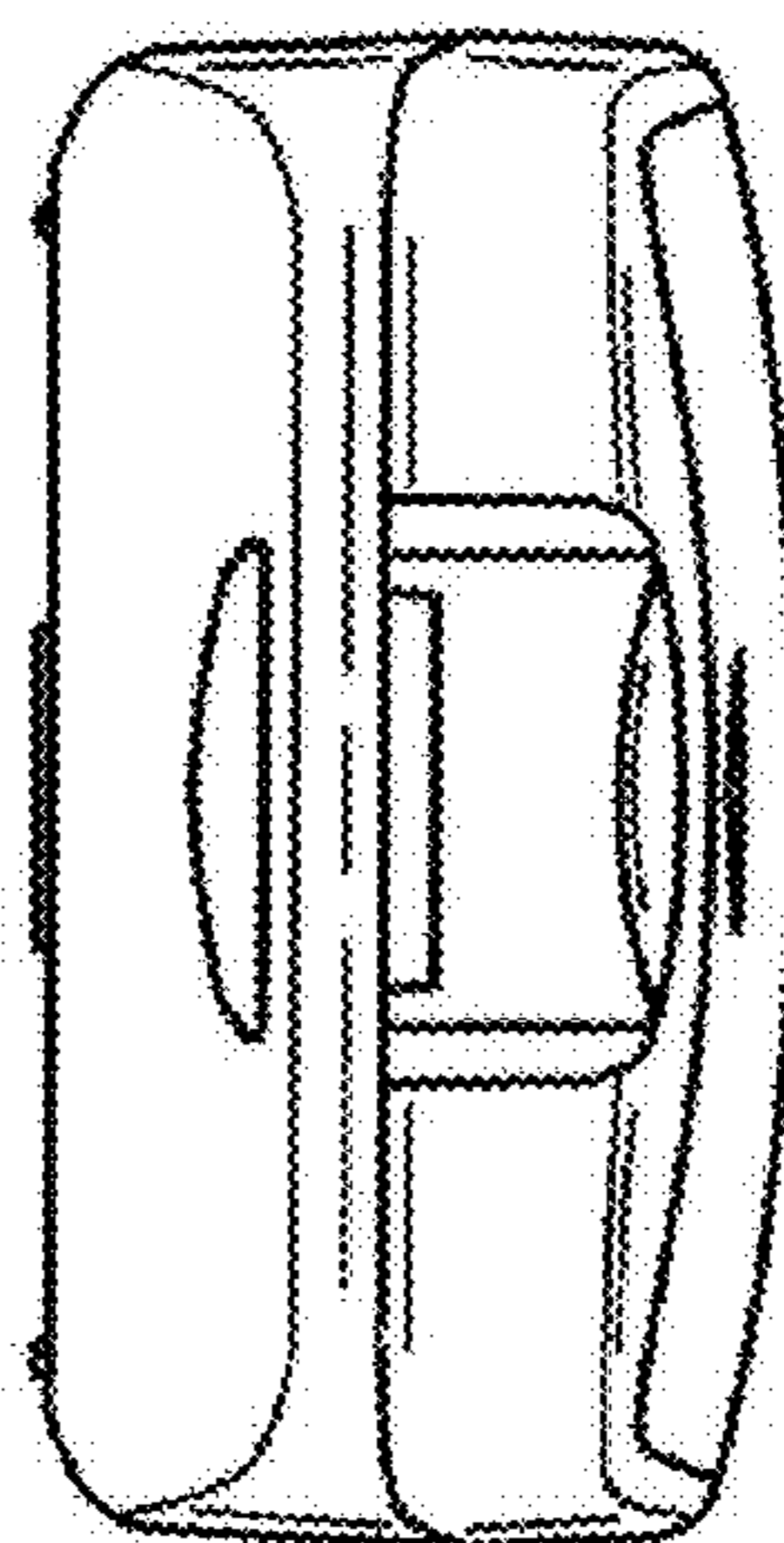


FIG. 4

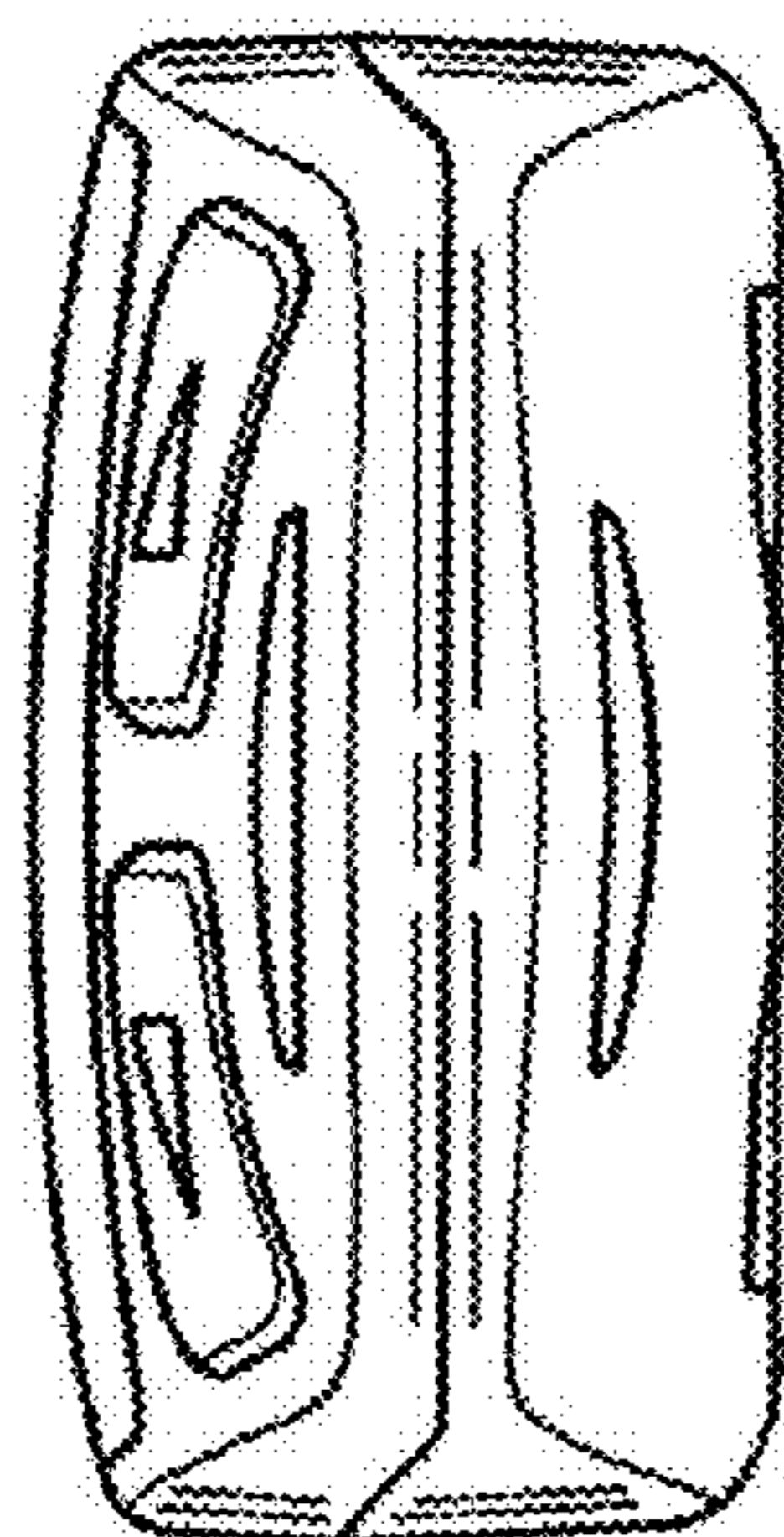


FIG. 5

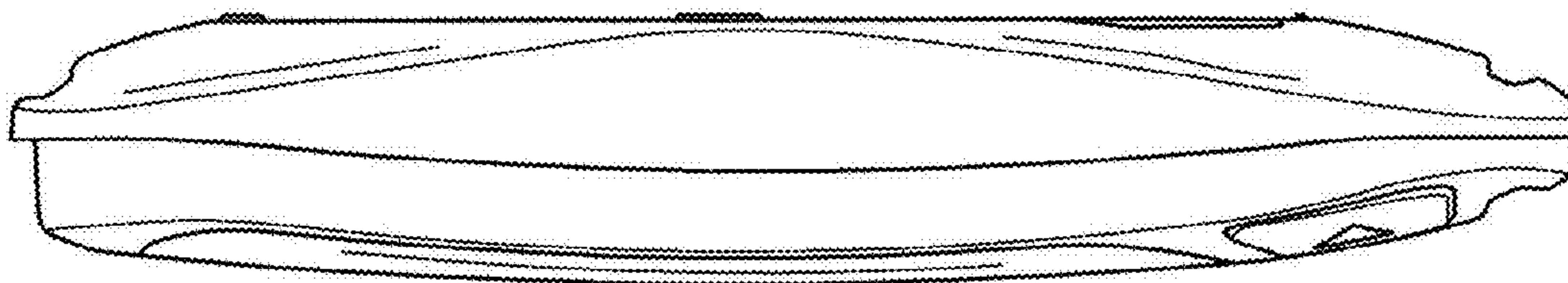


FIG. 6

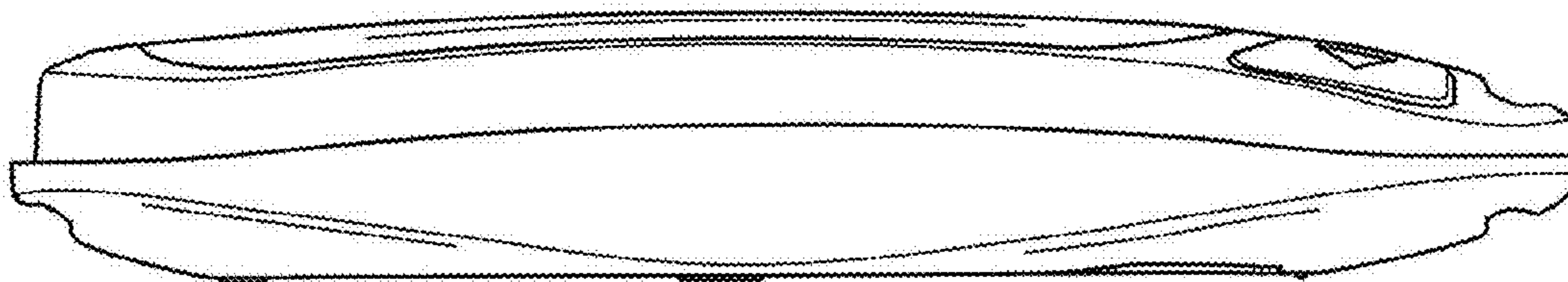




FIG. 7

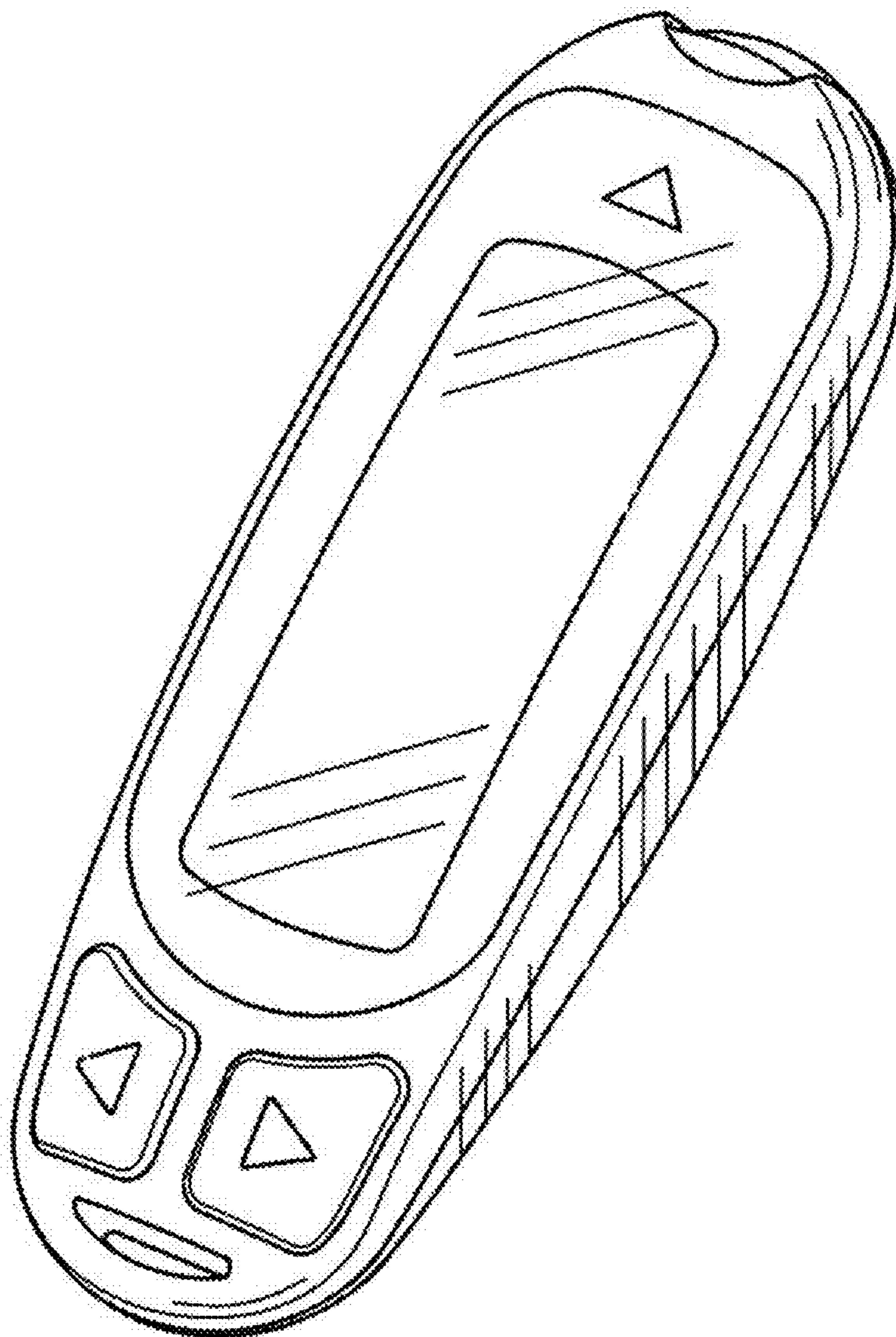


FIG. 8

