



US00D679398S

(12) **United States Design Patent**
Boudier

(10) **Patent No.:** **US D679,398 S**

(45) **Date of Patent:** **** Apr. 2, 2013**

(54) **MAMMOGRAPHY SYSTEM**

(75) Inventor: **Aurelie Boudier**, Bois d'Arcy (FR)

(73) Assignee: **General Electric Company**,
Schenectady, NY (US)

(**) Term: **14 Years**

(21) Appl. No.: **29/400,928**

(22) Filed: **Sep. 2, 2011**

(51) **LOC (9) Cl.** **24-01**

(52) **U.S. Cl.** **D24/158**

(58) **Field of Classification Search** D24/158-161,
D24/183-185, 186, 187; 378/4, 15, 17, 20,
378/21, 23-27, 62, 68, 146, 37, 155, 195-198,
378/208

See application file for complete search history.

(56) **References Cited**

U.S. PATENT DOCUMENTS

4,979,196	A *	12/1990	Lieutaud et al.	378/37
4,998,270	A *	3/1991	Scheid et al.	378/155
D331,110	S *	11/1992	Virta et al.	D24/158
D334,980	S *	4/1993	Pritchard	D24/158
D342,137	S *	12/1993	Guentner	D24/158
D360,947	S *	8/1995	Saks-Cohan	D24/158
D563,553	S *	3/2008	Saito et al.	D24/158
7,742,796	B2 *	6/2010	Eberhard et al.	600/407
2006/0241423	A1 *	10/2006	Anderson et al.	600/437
2009/0135996	A1 *	5/2009	Muller et al.	378/37
2009/0213986	A1 *	8/2009	Thaler	378/37
2009/0304159	A1 *	12/2009	Meer et al.	378/208

2011/0087132 A1* 4/2011 Defreitas et al. 600/567

* cited by examiner

Primary Examiner — Anhdao Doan

(74) *Attorney, Agent, or Firm* — The Small Patent Law Group; Dean D. Small

(57) **CLAIM**

The ornamental design for a mammography system, as shown and described.

DESCRIPTION

FIG. 1 is a front and right perspective view of a mammography system.

FIG. 2 is a front and left perspective view thereof shown in a tilted portion;

FIG. 3 is a top, front, and left perspective view of the thereof shown in a tilted portion;

FIG. 4 is a front view thereof;

FIG. 5 is a left side view thereof;

FIG. 6 is a top plan view thereof;

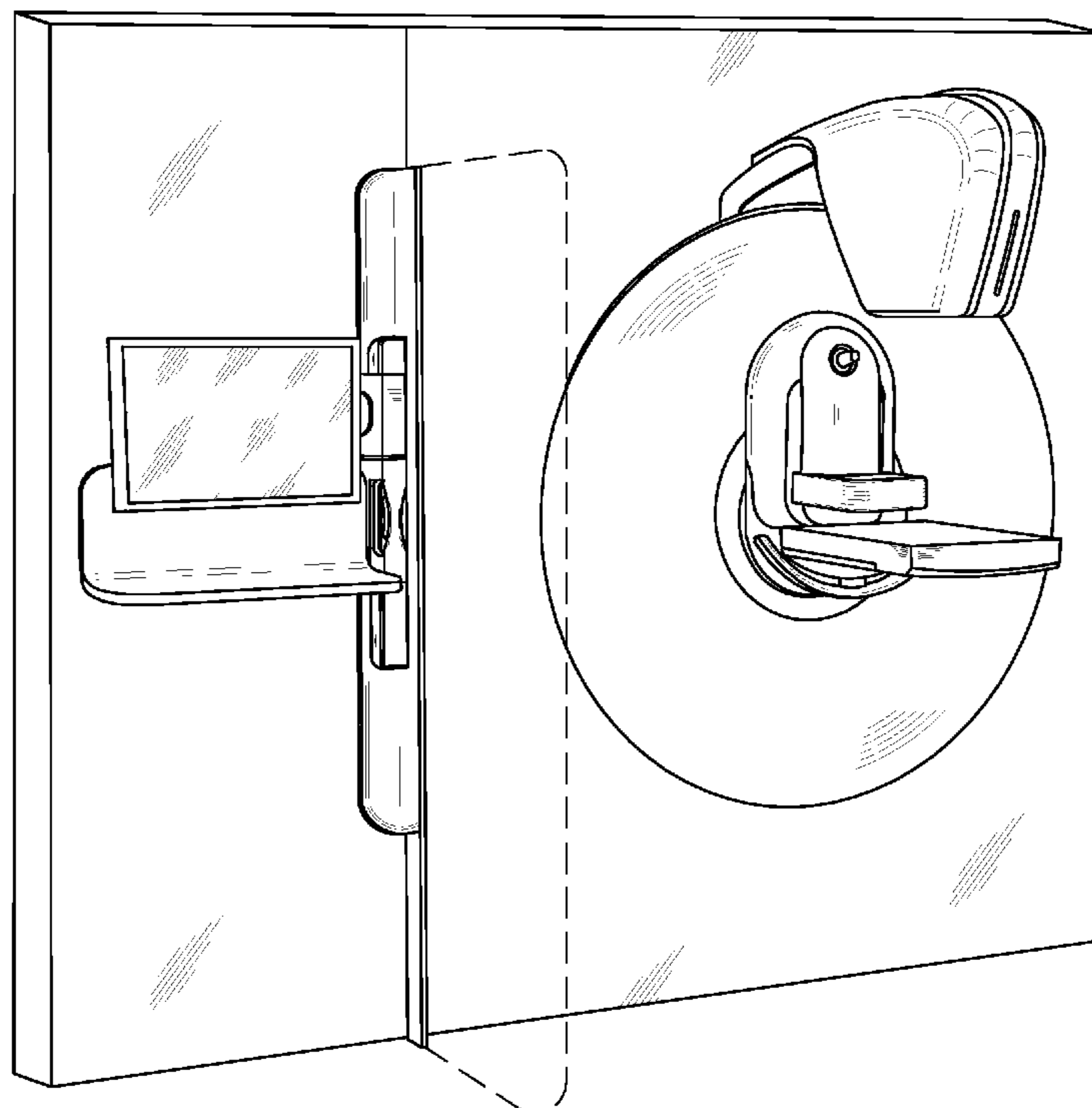
FIG. 7 is a right side view thereof;

FIG. 8 is a right side view thereof viewed at line 8-8 of FIG. 4; and,

FIG. 9 is a right side view thereof with portion of the mammography system removed from the background for clarity of the illustration.

The broken lines in the drawing views represent unclaimed portions of the mammography system and form no part of the claimed design.

1 Claim, 9 Drawing Sheets



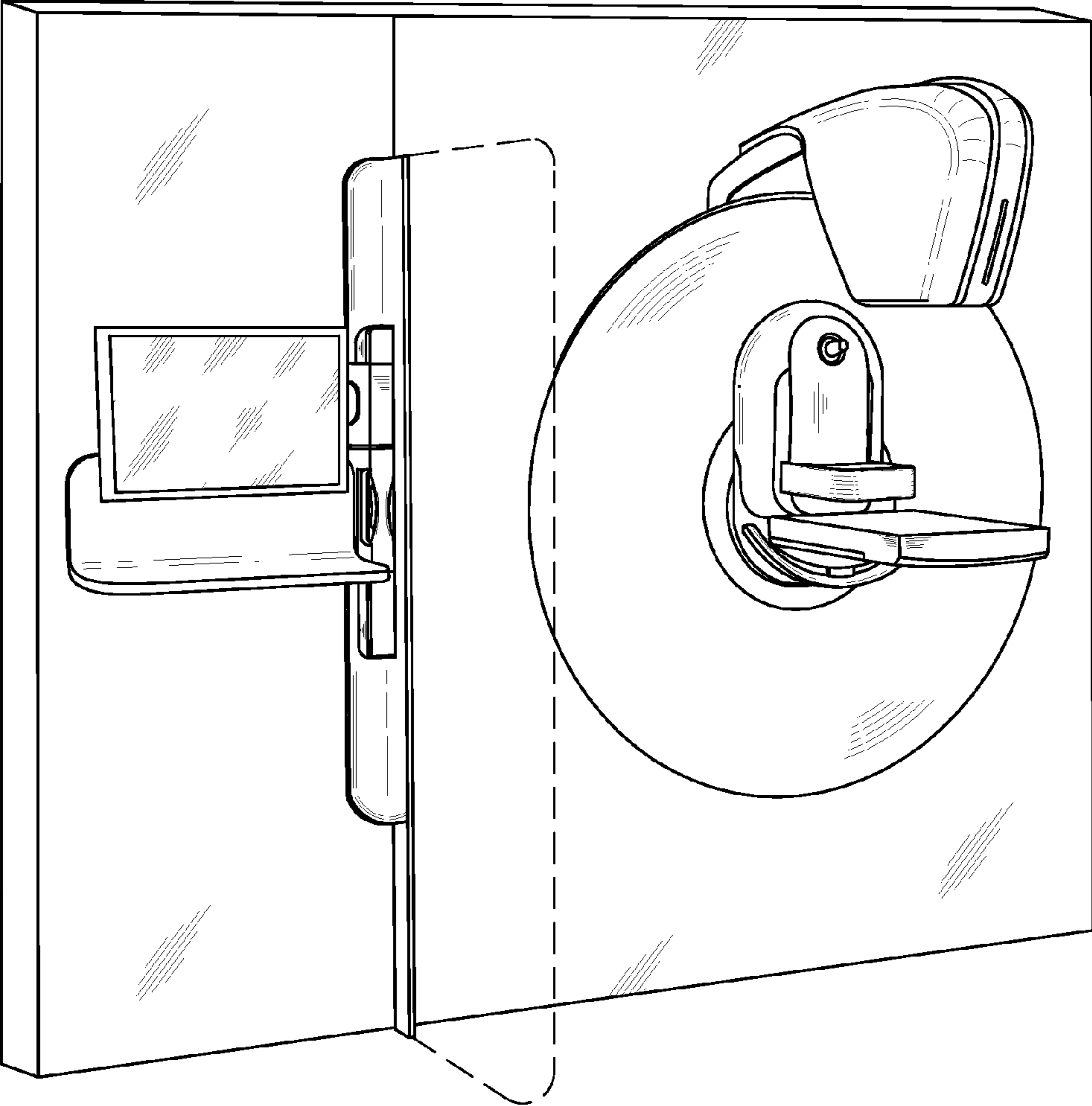


FIG. 1

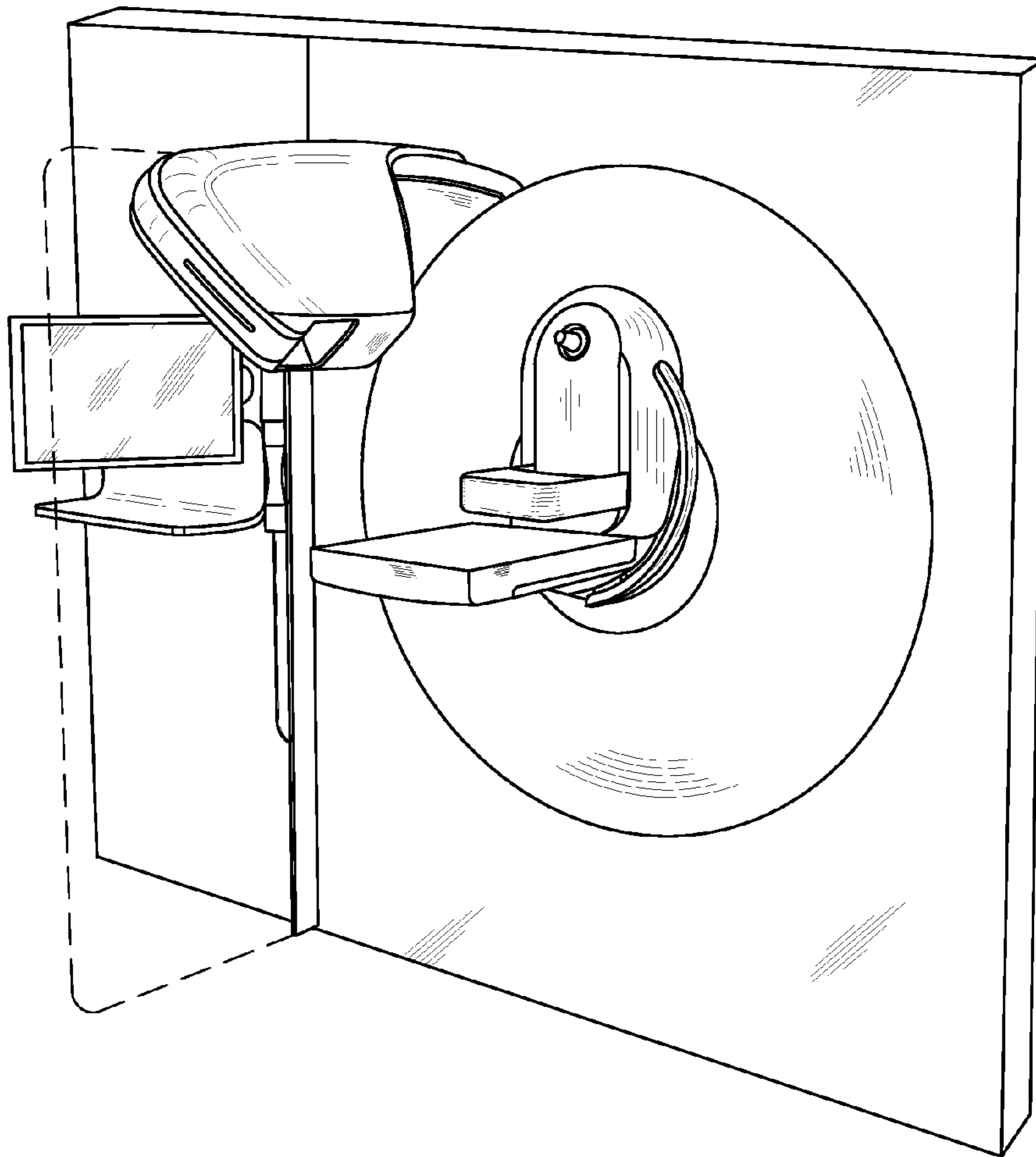


FIG. 2

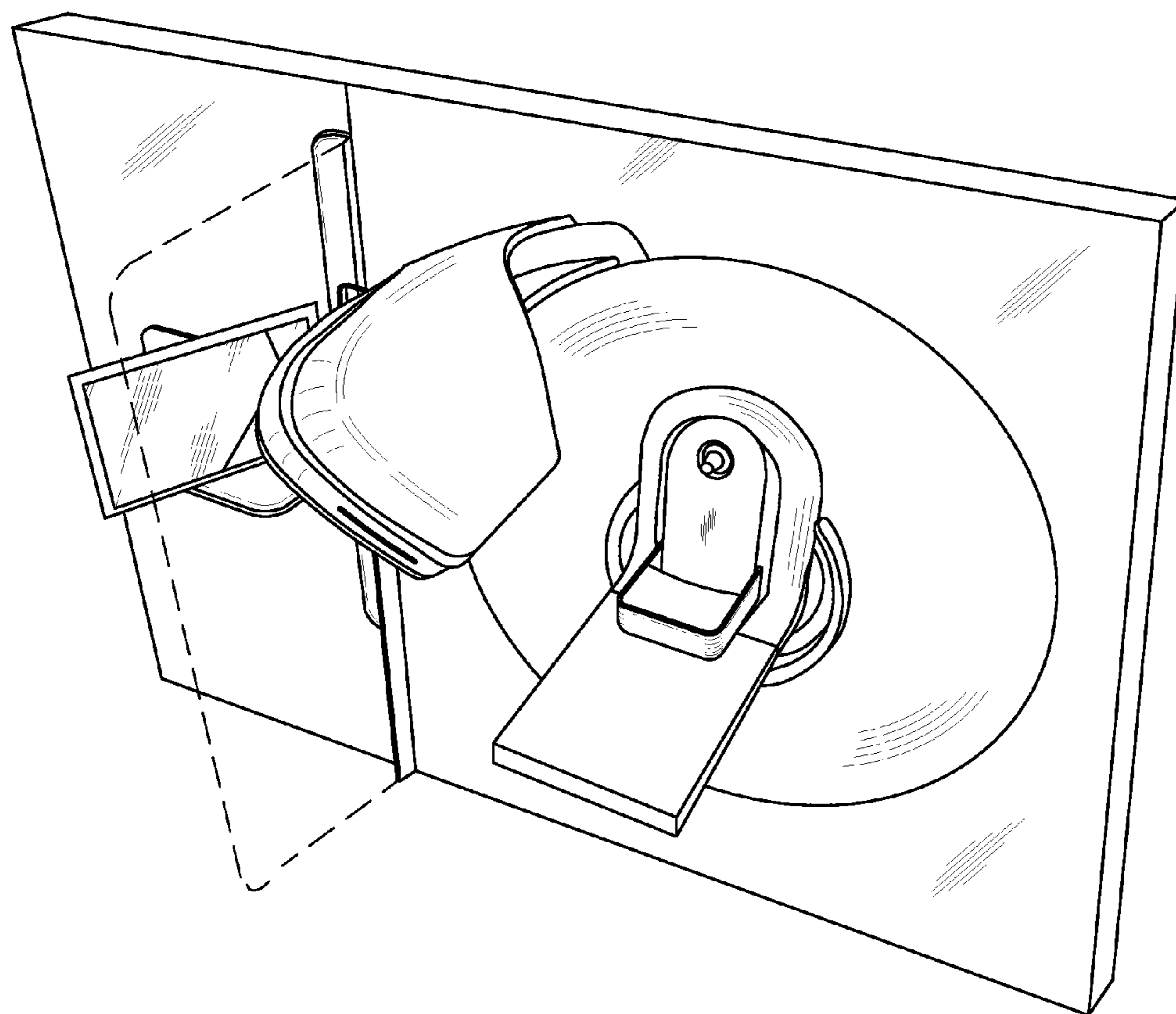


FIG. 3

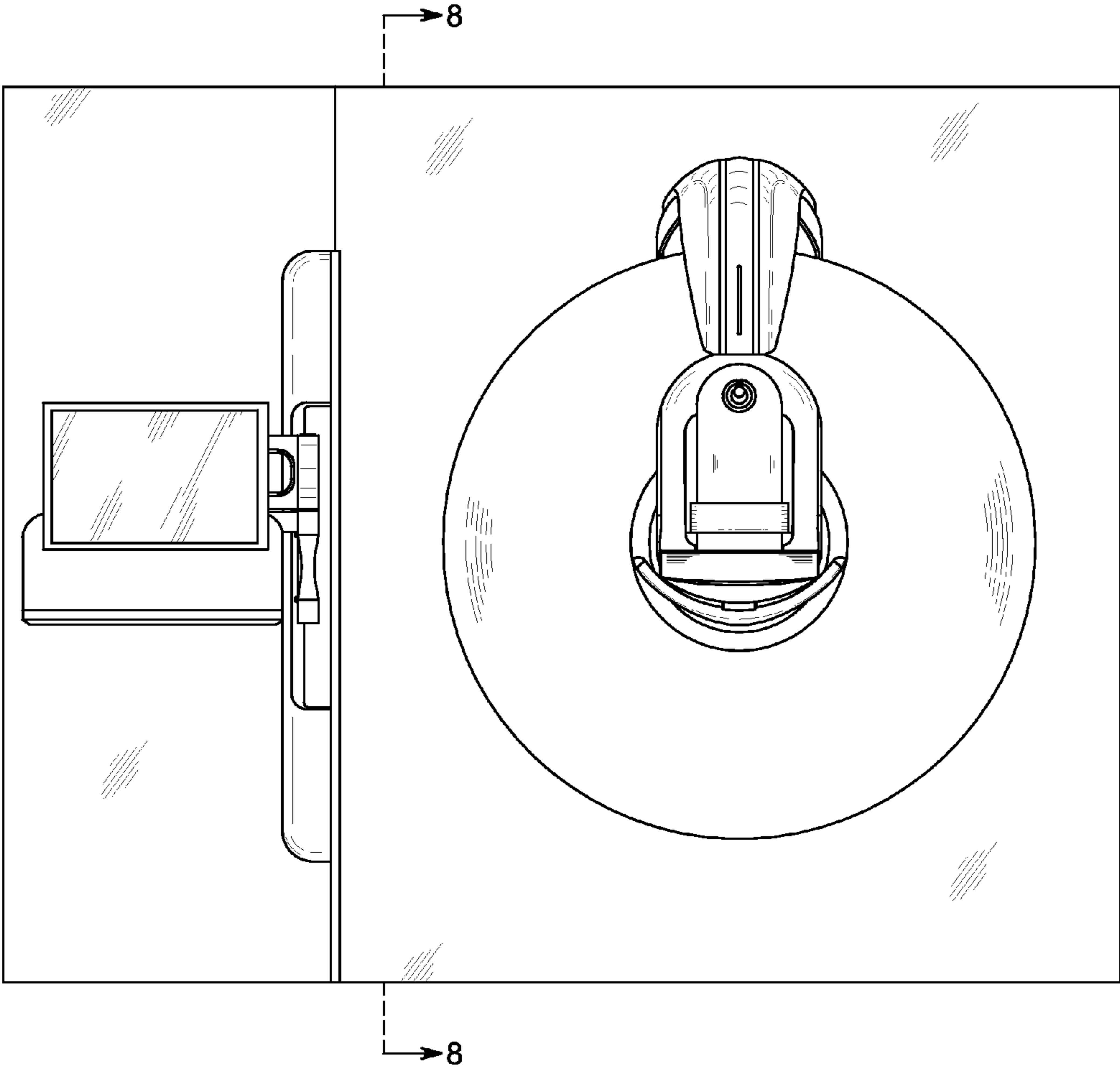


FIG. 4

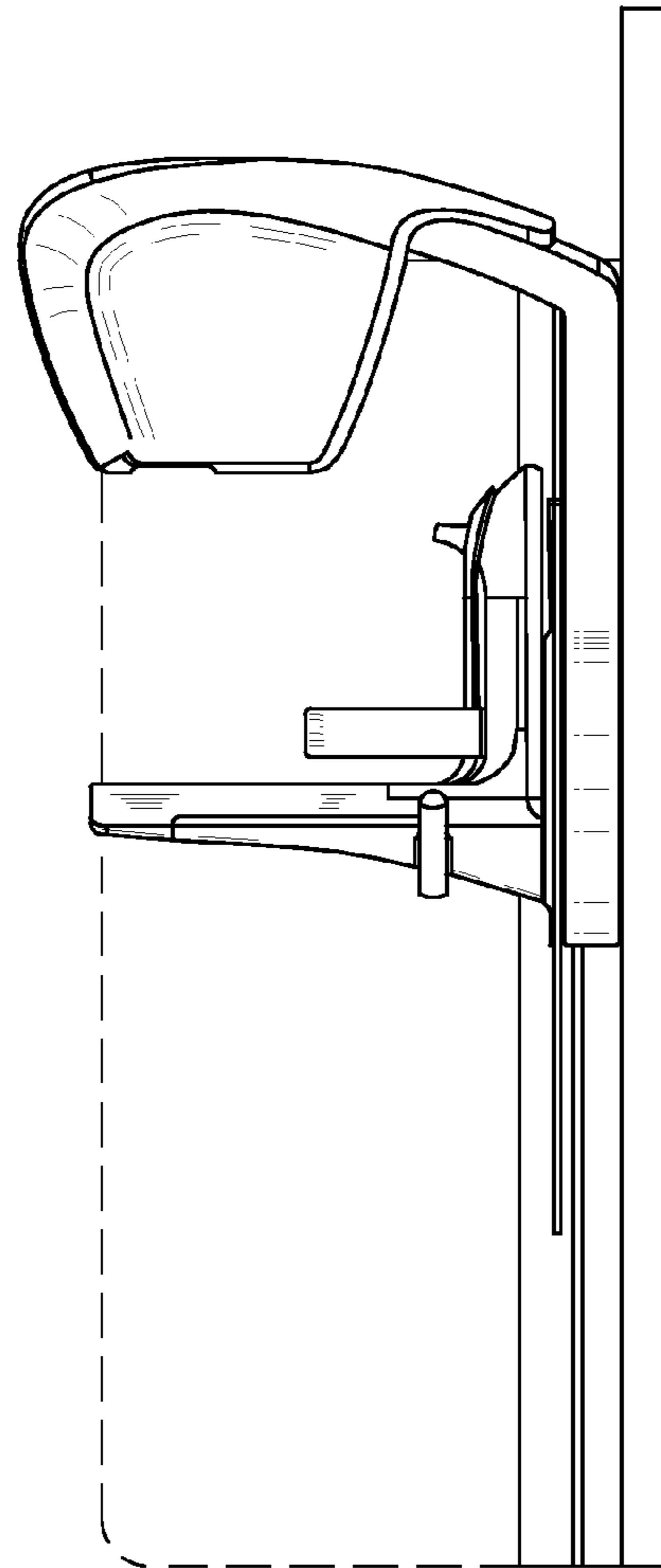


FIG. 5

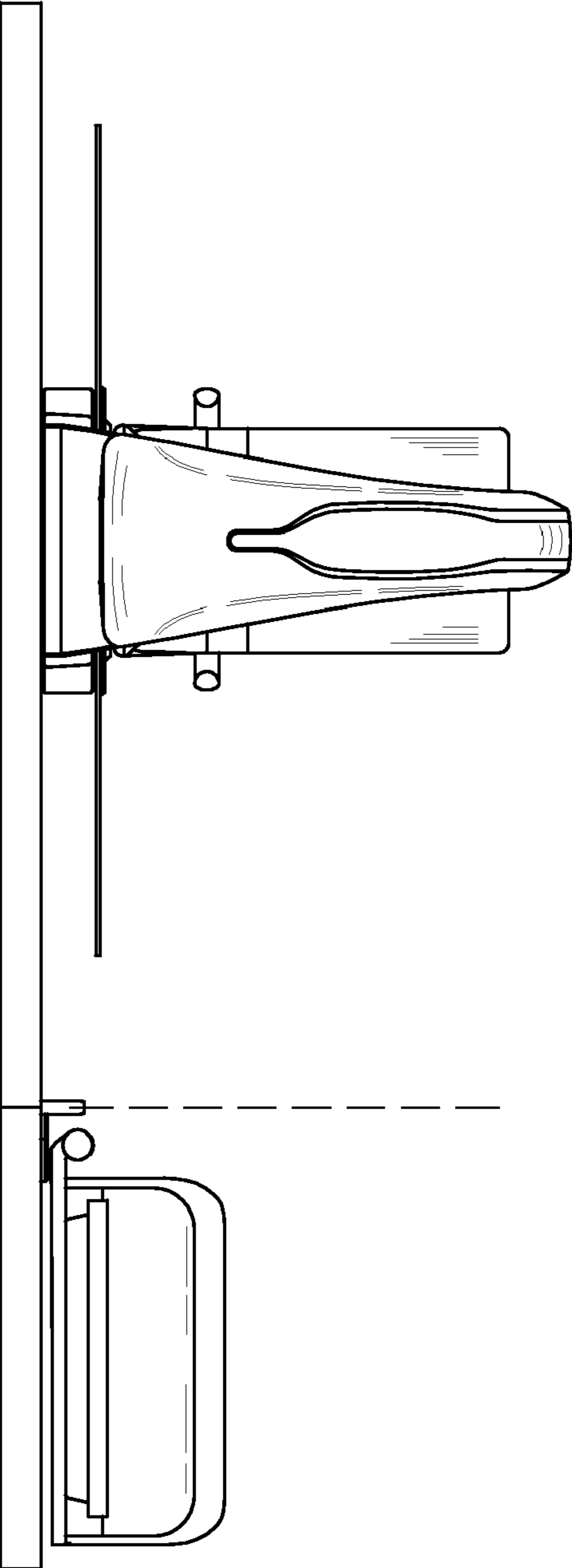


FIG. 6

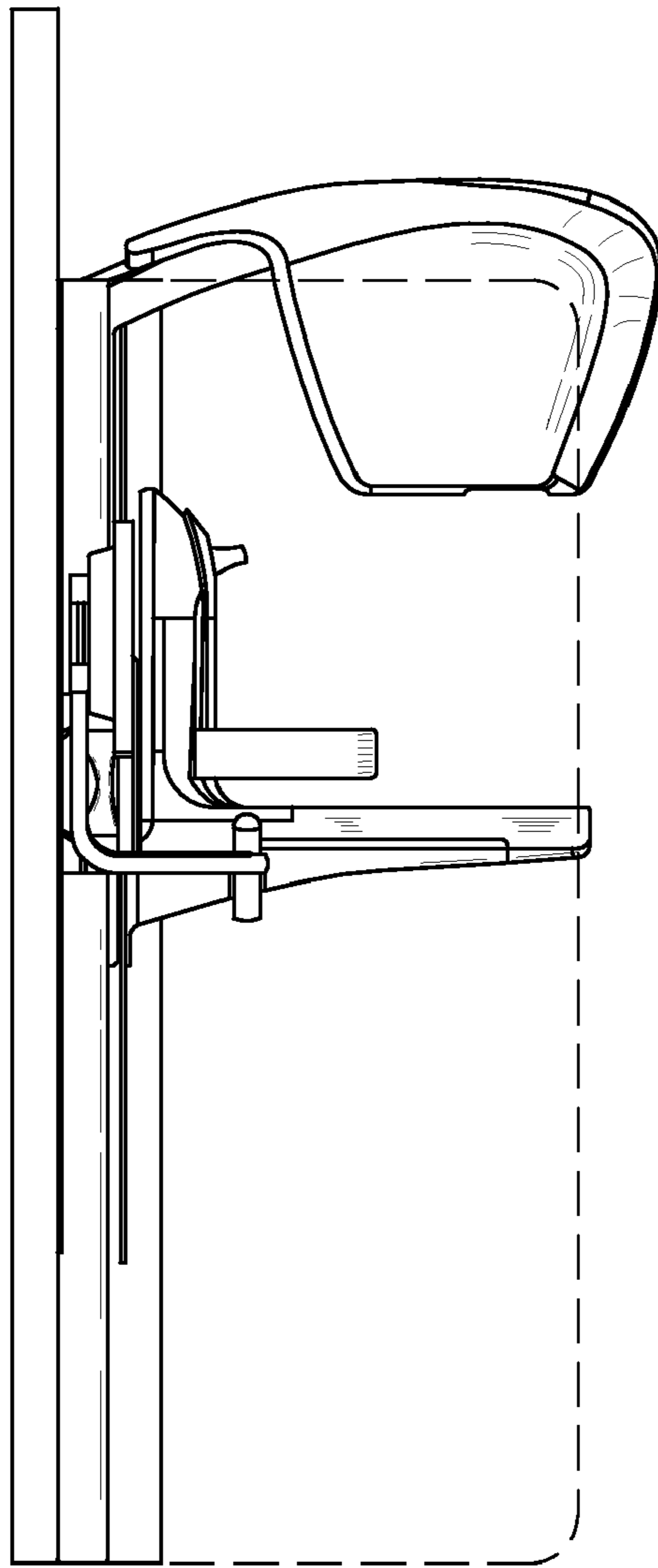


FIG. 7

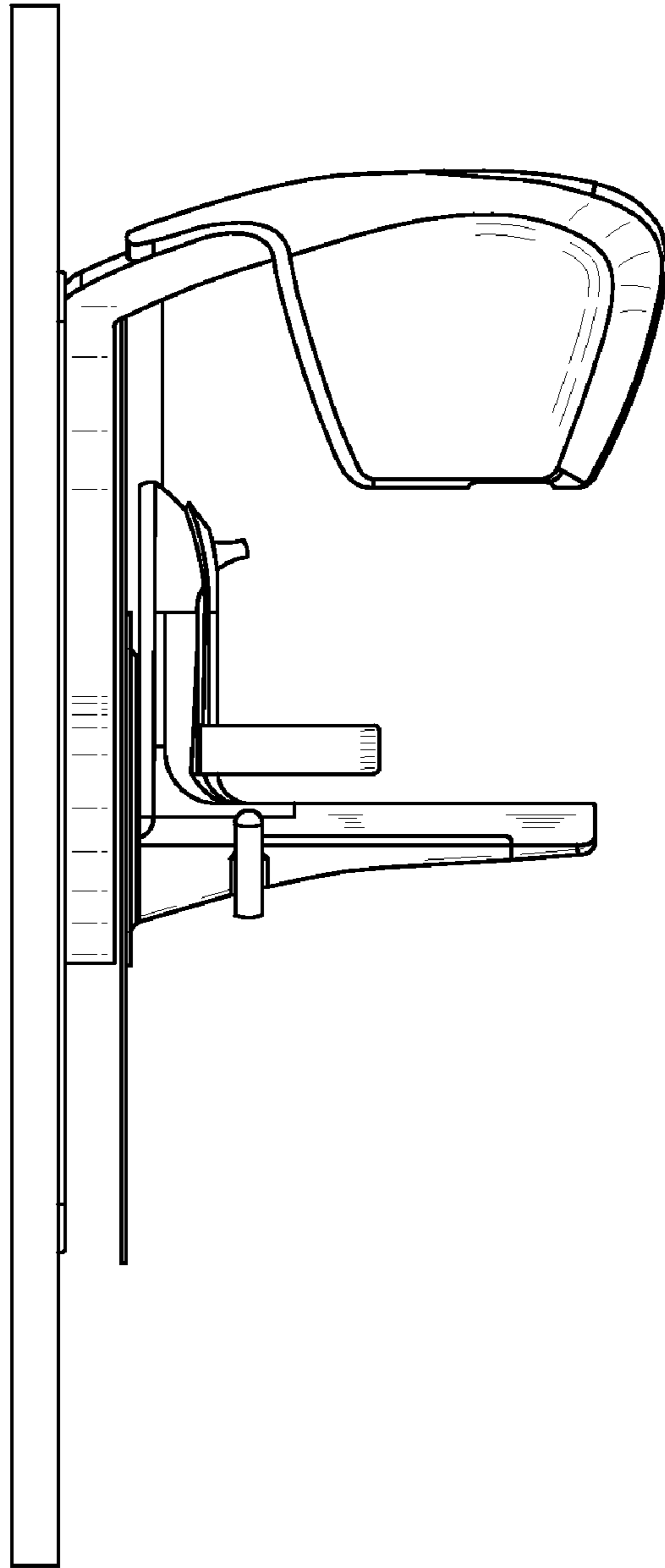


FIG. 8

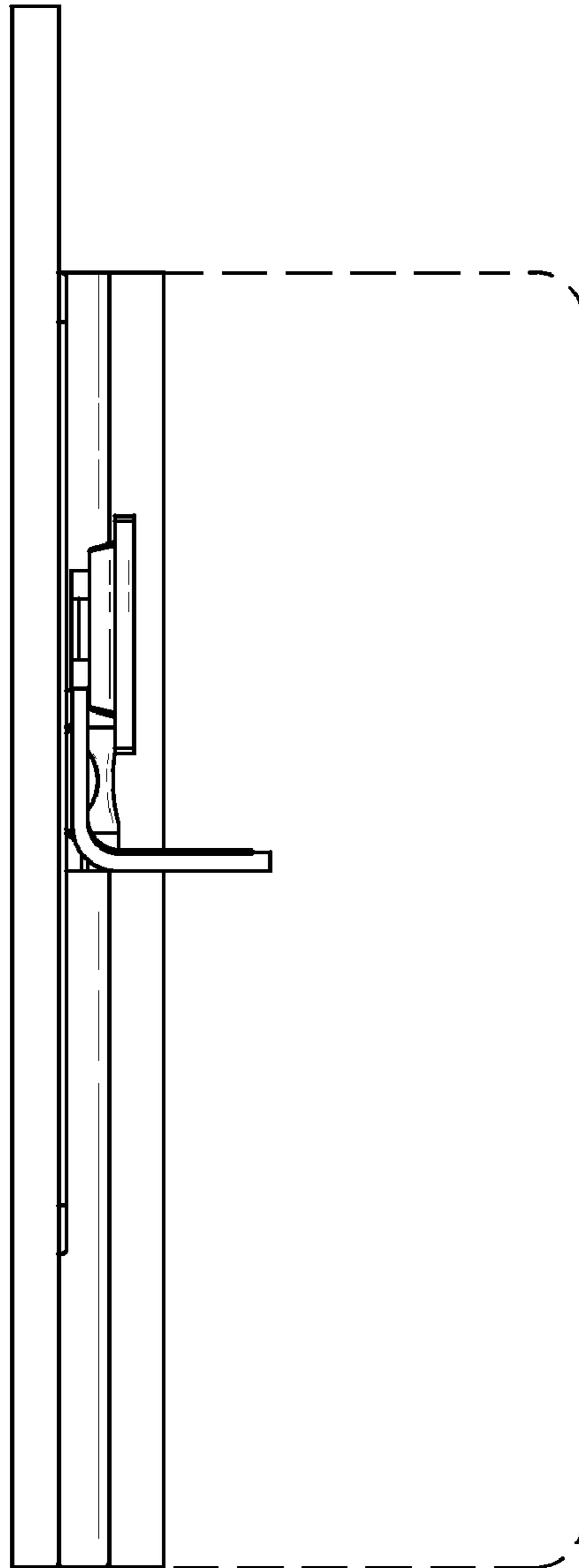


FIG. 9