

US00D679395S

(12) **United States Design Patent**
Wright et al.

(10) **Patent No.:** **US D679,395 S**

(45) **Date of Patent:** **** Apr. 2, 2013**

(54) **COMBINATION PATELLA CLAMP AND DRILL GUIDE**

(75) Inventors: **Abraham Wright**, Warsaw, IN (US); **Kyle Thomas**, Denver, CO (US); **Kent Whitton**, Warsaw, IN (US); **Duncan Young**, Hebden Bridge West (GB); **Rusty Meier**, Warsaw, IN (US); **Alan Ray**, Brookfield, IN (US)

(73) Assignee: **Depuy (Ireland) (IE)**

(**) Term: **14 Years**

(21) Appl. No.: **29/396,511**

(22) Filed: **Jun. 30, 2011**

(51) **LOC (9) Cl.** **24-02**

(52) **U.S. Cl.** **D24/140**

(58) **Field of Classification Search** D24/133, D24/140, 143, 144, 145, 146, 147; 606/86 R, 606/87, 88, 89, 96, 324

See application file for complete search history.

(56) **References Cited**

U.S. PATENT DOCUMENTS

3,835,849 A	9/1974	McGuire	
D260,927 S	9/1981	Glenn	
D281,622 S	12/1985	Diamond	
4,565,192 A	1/1986	Shapiro	
4,633,862 A	1/1987	Petersen	
5,002,547 A	3/1991	Poggie et al.	
5,108,401 A	4/1992	Insall et al.	
D327,323 S *	6/1992	Hunt	D24/145
5,129,908 A *	7/1992	Petersen	606/88
5,147,365 A	9/1992	Whitlock et al.	
5,250,050 A	10/1993	Poggie et al.	
5,284,482 A	2/1994	Mikhail	
5,382,254 A	1/1995	McGarry et al.	
D357,316 S *	4/1995	Green et al.	D24/145
5,415,663 A	5/1995	Luckman et al.	
5,470,328 A	11/1995	Furnish et al.	
5,484,451 A	1/1996	Akopov et al.	
D367,531 S	2/1996	Price	
5,520,692 A	5/1996	Ferrante	
5,542,947 A	8/1996	Treacy	

D373,635 S	9/1996	Price	
5,582,615 A	12/1996	Foshee et al.	
5,611,802 A	3/1997	Samuelson et al.	
5,626,607 A	5/1997	Malecki et al.	
D381,077 S *	7/1997	Hunt	D24/145
5,667,512 A	9/1997	Johnson	
5,716,362 A *	2/1998	Treacy	606/87
5,827,279 A	10/1998	Hughett et al.	
5,941,884 A	8/1999	Corvelli et al.	
5,968,051 A	10/1999	Luckman et al.	
6,010,509 A	1/2000	Delgado et al.	

(Continued)

OTHER PUBLICATIONS

European Search Report, European Patent Application No. 11175824.9-2310, Dec. 16, 2011, 8 pages.

(Continued)

Primary Examiner — Bridget L Eland

(74) *Attorney, Agent, or Firm* — Barnes & Thornburg LLP

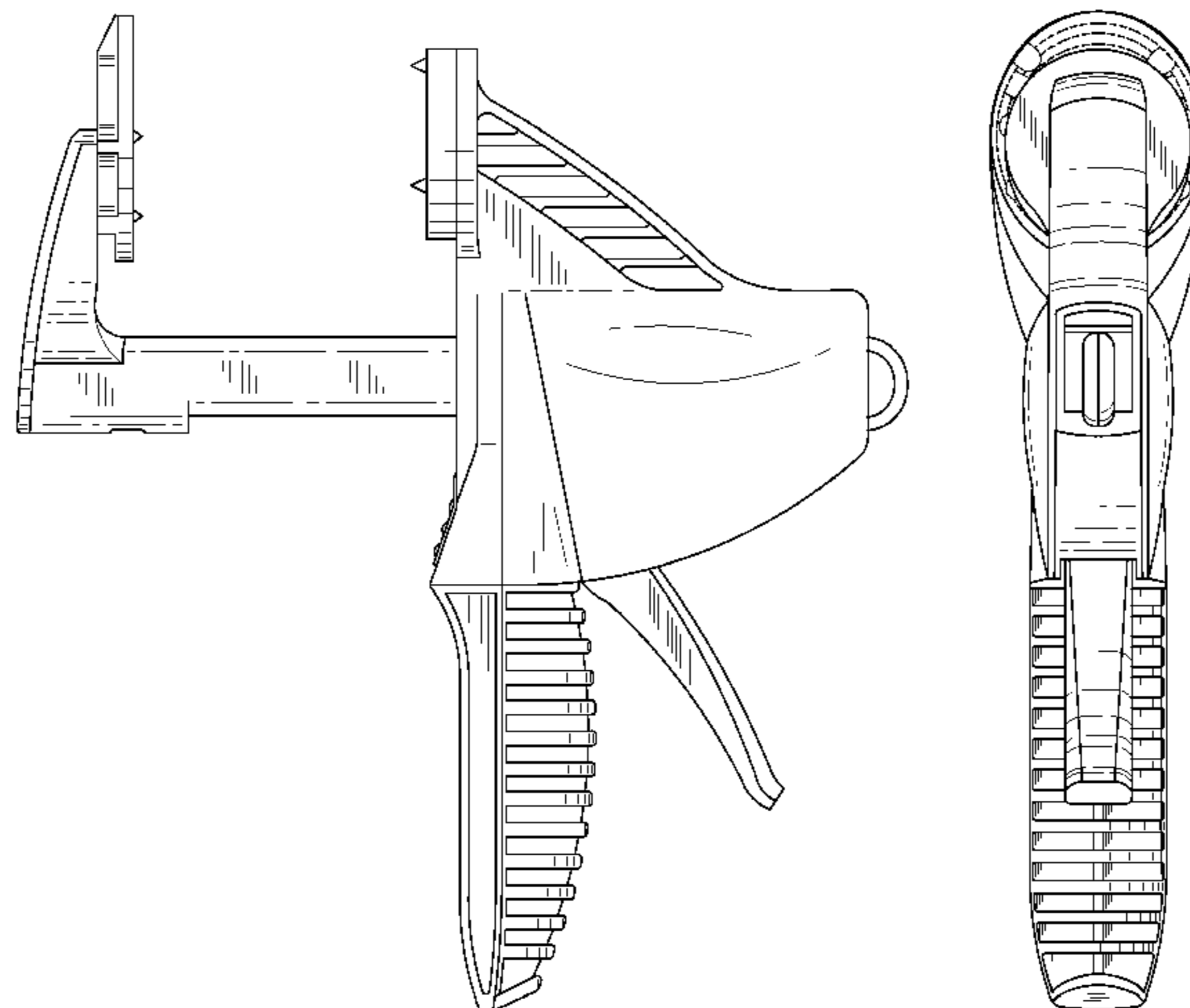
(57) **CLAIM**

We claim the ornamental design for a combination patella clamp and drill guide, as shown and described.

DESCRIPTION

FIG. 1 is a front perspective view of a design of the combination patella clamp and drill guide;
FIG. 2 is a top plan view of the combination patella clamp and drill guide of FIG. 1;
FIG. 3 is a bottom plan view of the combination patella clamp and drill guide of FIG. 1;
FIG. 4 is a first side elevation view of the combination patella clamp and drill guide of FIG. 1;
FIG. 5 is a second side elevation view of the combination patella clamp and drill guide of FIG. 1;
FIG. 6 is a front elevation view of the combination patella clamp and drill guide of FIG. 1; and,
FIG. 7 is a rear elevation view of the combination patella clamp and drill guide of FIG. 1.
The features shown in broken lines depict environmental subject matter only and form no part of the claimed design.

1 Claim, 7 Drawing Sheets



US D679,395 S

Page 2

U.S. PATENT DOCUMENTS

6,056,754 A 5/2000 Haines et al.
6,205,884 B1 3/2001 Foley et al.
D450,383 S * 11/2001 Mann D24/146
D456,510 S * 4/2002 Spetzler et al. D24/143
D459,474 S 6/2002 Bratt et al.
6,419,675 B1 7/2002 Gallo, Sr.
D463,550 S 9/2002 Sherman
6,866,667 B2 3/2005 Wood et al.
D549,331 S 8/2007 Tomatsu et al.
7,344,540 B2 3/2008 Smucker et al.
7,566,335 B1 7/2009 Scott et al.
7,632,279 B2 12/2009 Bastian
7,758,651 B2 * 7/2010 Chauhan et al. 623/20.18
7,780,594 B2 8/2010 Hutton
7,806,899 B2 10/2010 Hogg et al.
7,878,989 B2 2/2011 McMinn
7,891,071 B2 2/2011 Collazo
D634,011 S 3/2011 Phillips et al.
D638,541 S 5/2011 Claypool
D642,678 S 8/2011 Dockstader et al.
D646,389 S 10/2011 Claypool et al.
D667,552 S * 9/2012 Claypool et al. D24/143
D667,953 S * 9/2012 Wright et al. D24/140
2002/0115987 A1 8/2002 Hildwein et al.

2005/0240196 A1 10/2005 Davis et al.
2006/0142777 A1 6/2006 Bastian
2007/0118141 A1 * 5/2007 Marchyn et al. 606/88
2007/0233142 A1 10/2007 Oliver
2007/0260227 A1 11/2007 Phan
2008/0097450 A1 4/2008 Brown et al.
2008/0114366 A1 5/2008 Smucker et al.
2008/0228190 A1 9/2008 Sherry et al.
2009/0264737 A1 10/2009 Haechler et al.
2010/0152742 A1 6/2010 Nevelös et al.
2012/0078261 A1 3/2012 Kechman et al.

OTHER PUBLICATIONS

P.F.C. Sigma Rotating Platform Knee System with M.B.T Tray, Primary Procedure with a Curved or Posterior Stabilised Implant, 2003, 43 pages.
LCS High Performance Instruments, Surgical Technique, 2008, 44 pages.
Sigma High Performance Instruments, Design Rationale, 2007, 12 pages.
Sigma High Performance Instruments, Classic Surgical Technique, 2010, 52 pages.

* cited by examiner

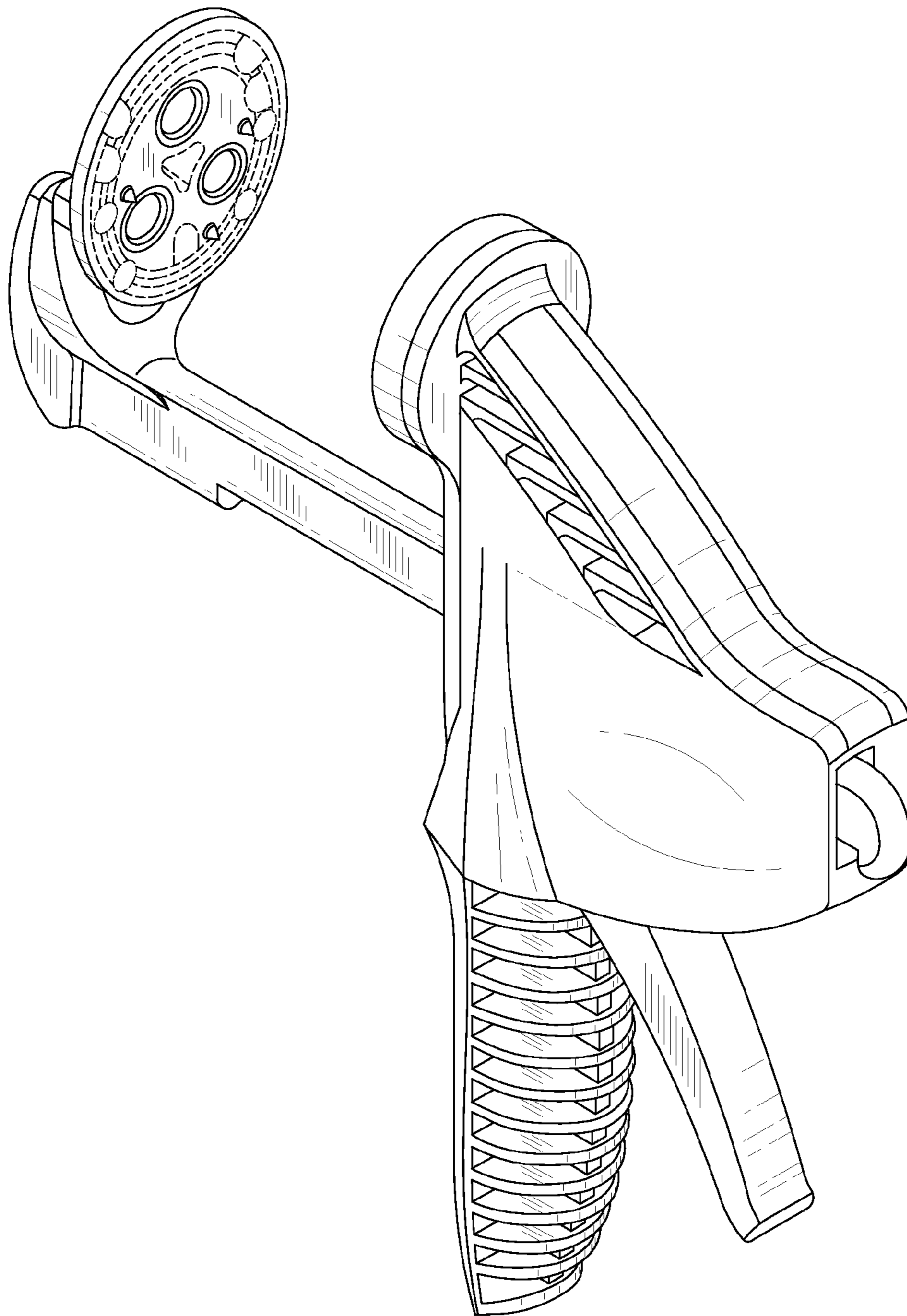


Fig. 1

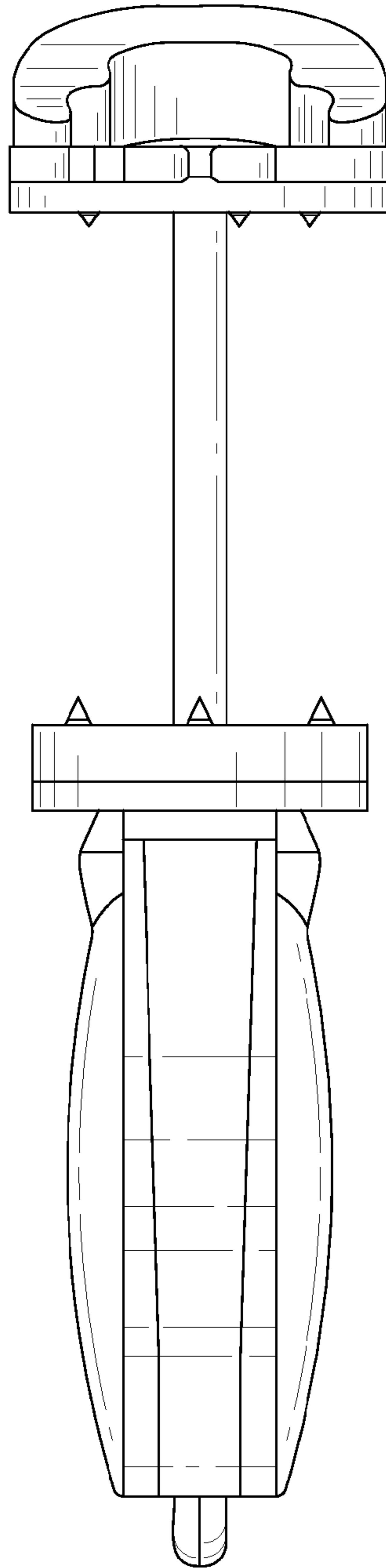


Fig. 2

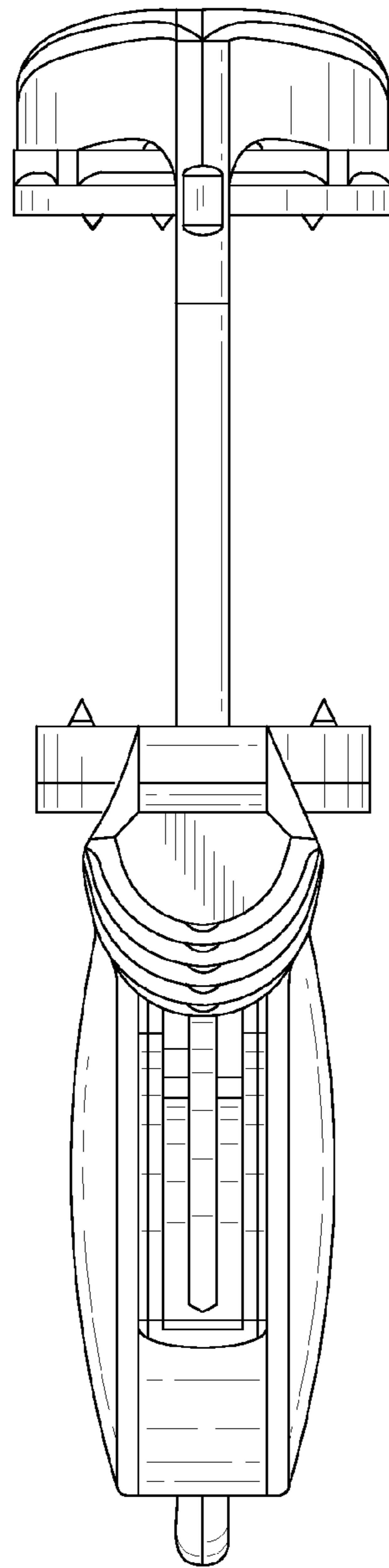


Fig. 3

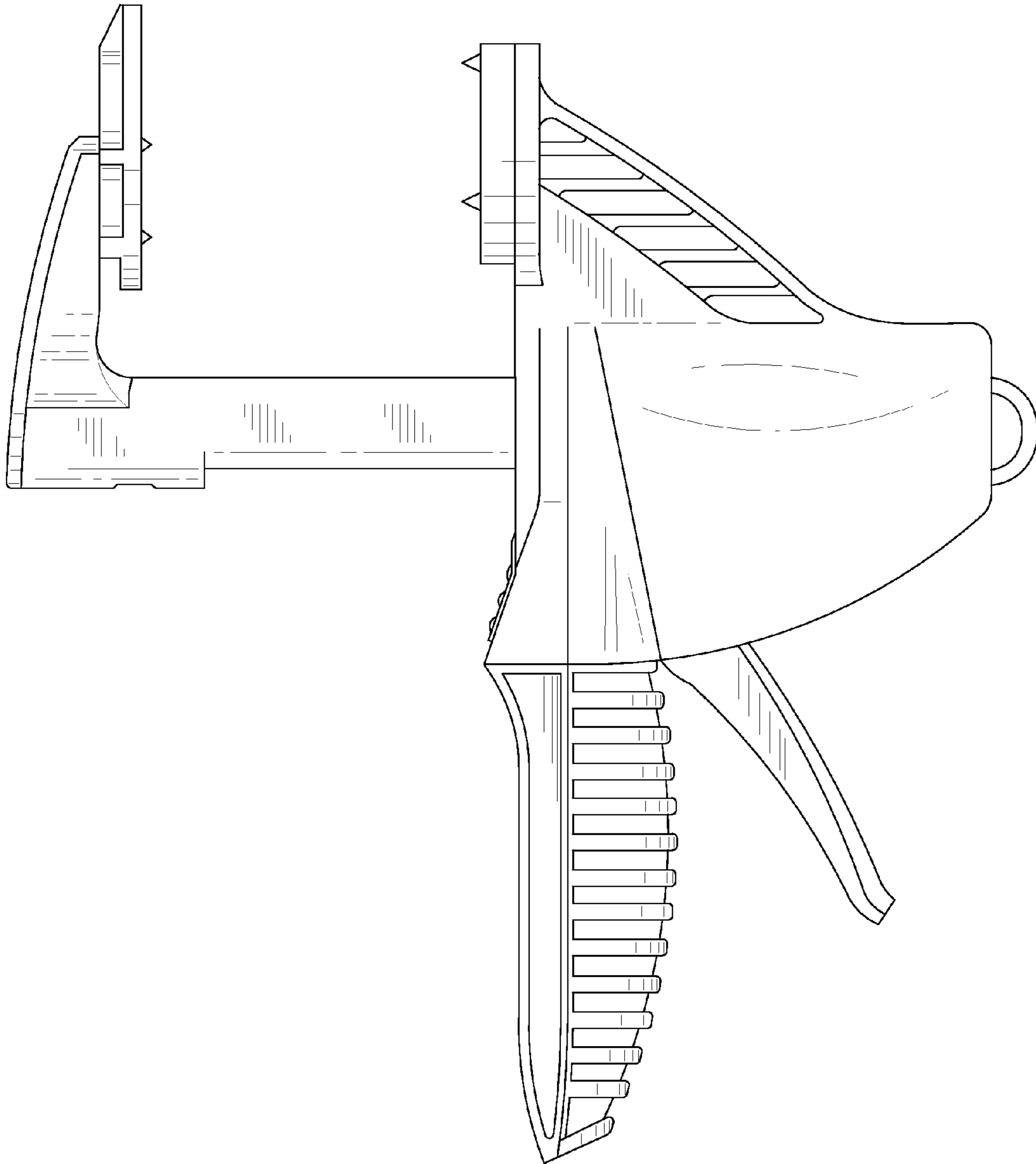


Fig. 4

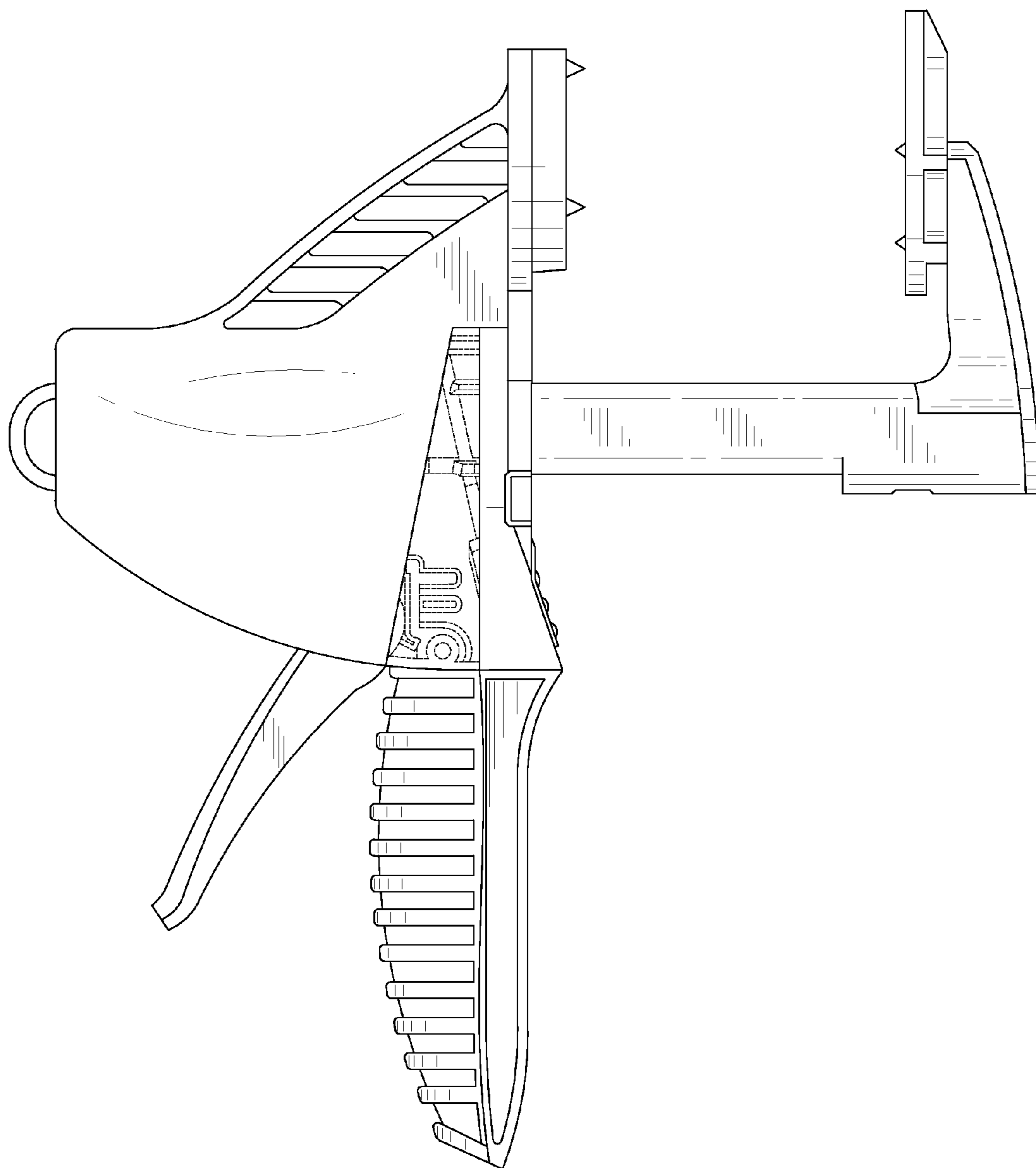


Fig. 5

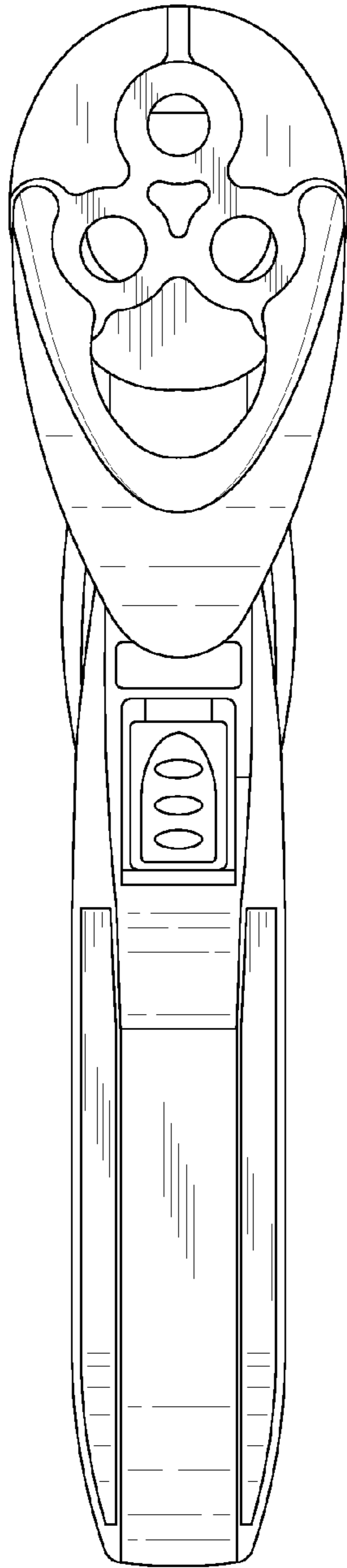


Fig. 6

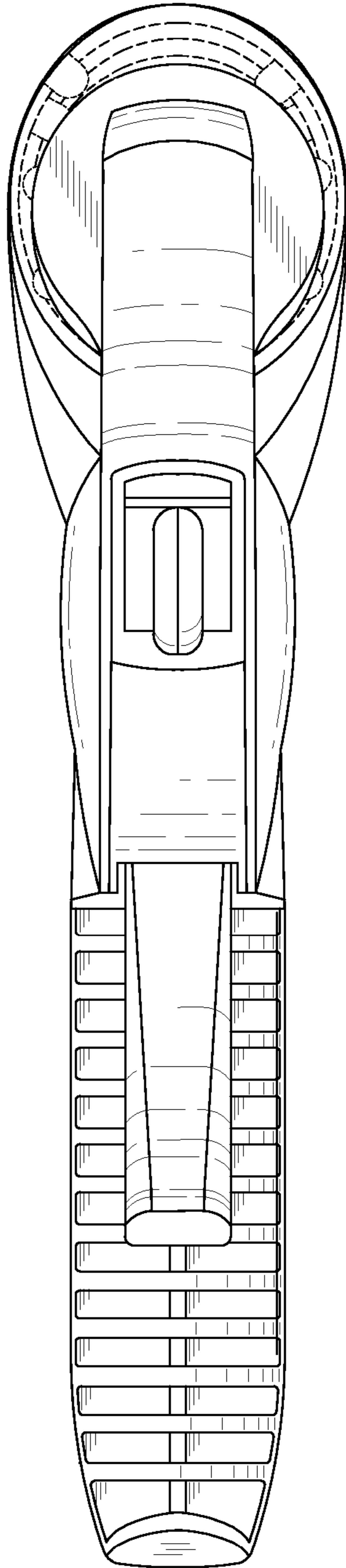


Fig. 7