



US00D679393S

(12) **United States Design Patent**
Griffith et al.

(10) **Patent No.:** **US D679,393 S**

(45) **Date of Patent:** **** Apr. 2, 2013**

(54) **ENTERAL FEEDING TUBE BASE**
(75) Inventors: **Nathan C. Griffith**, Roswell, GA (US);
Donald J. McMichael, Roswell, GA
(US); **John A. Rotella**, Roswell, GA
(US)

(73) Assignee: **Kimberly-Clark Worldwide, Inc.**,
Neenah, WI (US)

(**) Term: **14 Years**

(21) Appl. No.: **29/409,355**

(22) Filed: **Dec. 22, 2011**

(51) **LOC (9) Cl.** **24-02**

(52) **U.S. Cl.** **D24/129**

(58) **Field of Classification Search** D24/127,
D24/129, 112;
604/513–515, 533–535, 170.01–170.02;
600/435, 585

See application file for complete search history.

(56) **References Cited**

U.S. PATENT DOCUMENTS

D189,389	S *	11/1960	McGiveran et al.	D24/115
3,915,171	A	10/1975	Shermeta		
4,315,513	A	2/1982	Nawash et al.		
4,666,433	A	5/1987	Parks		
4,798,592	A	1/1989	Parks		
4,944,732	A	7/1990	Russo		
5,092,847	A *	3/1992	Pozzo	604/170.02
5,242,389	A *	9/1993	Schrader et al.	604/513
5,484,420	A	1/1996	Russo		
5,846,221	A *	12/1998	Snoke et al.	604/500
5,997,503	A	12/1999	Willis et al.		
5,997,546	A	12/1999	Foster et al.		
7,070,587	B2 *	7/2006	Meier et al.	604/533
D589,143	S *	3/2009	Mauch	D24/130
D657,056	S *	4/2012	Burgess et al.	D24/129
8,177,742	B1 *	5/2012	Bagwell et al.	604/100.01
D669,578	S *	10/2012	Burgess et al.	D24/129
2006/0052752	A1 *	3/2006	McMichael	604/175
2010/0100074	A1 *	4/2010	Smith et al.	604/533

2010/0185159	A1 *	7/2010	Bagwell et al.	604/256
2011/0152762	A1	6/2011	Hershey et al.		
2012/0029481	A1 *	2/2012	Pech et al.	604/533
2012/0029483	A1 *	2/2012	Griffith et al.	604/535
2012/0197192	A1 *	8/2012	Bagwell et al.	604/99.04

FOREIGN PATENT DOCUMENTS

WO	WO 00/50110	A1	8/2000
WO	WO 01/60313	A1	8/2001

OTHER PUBLICATIONS

Co-pending U.S. Appl. No. 13/334,258, filed Dec. 22, 2011, by Griffith et al. for “Improved Base For An Enteral Feeding Device.”
Co-pending U.S. Appl. No. 29/409,358, filed Dec. 22, 2011, by Griffith et al. for “Low Profile Feeding Tube Head.”
Passport® Low Profile Gastrostomy Device, Internet web page “<http://www.cookmedical.com/esc/dataSheet.do?id=5691>”, available from Cook Medical, Inc., of Bloomington, Indiana, viewed and printed Nov. 13, 2012, 1 page.
Mini ONE™ Non-Balloon Button, available from Applied Medical Technology, Inc., of Brecksville, Ohio, 2010, 8 pages.

* cited by examiner

Primary Examiner — Eric Goodman

(74) *Attorney, Agent, or Firm* — Patrick C. Wilson

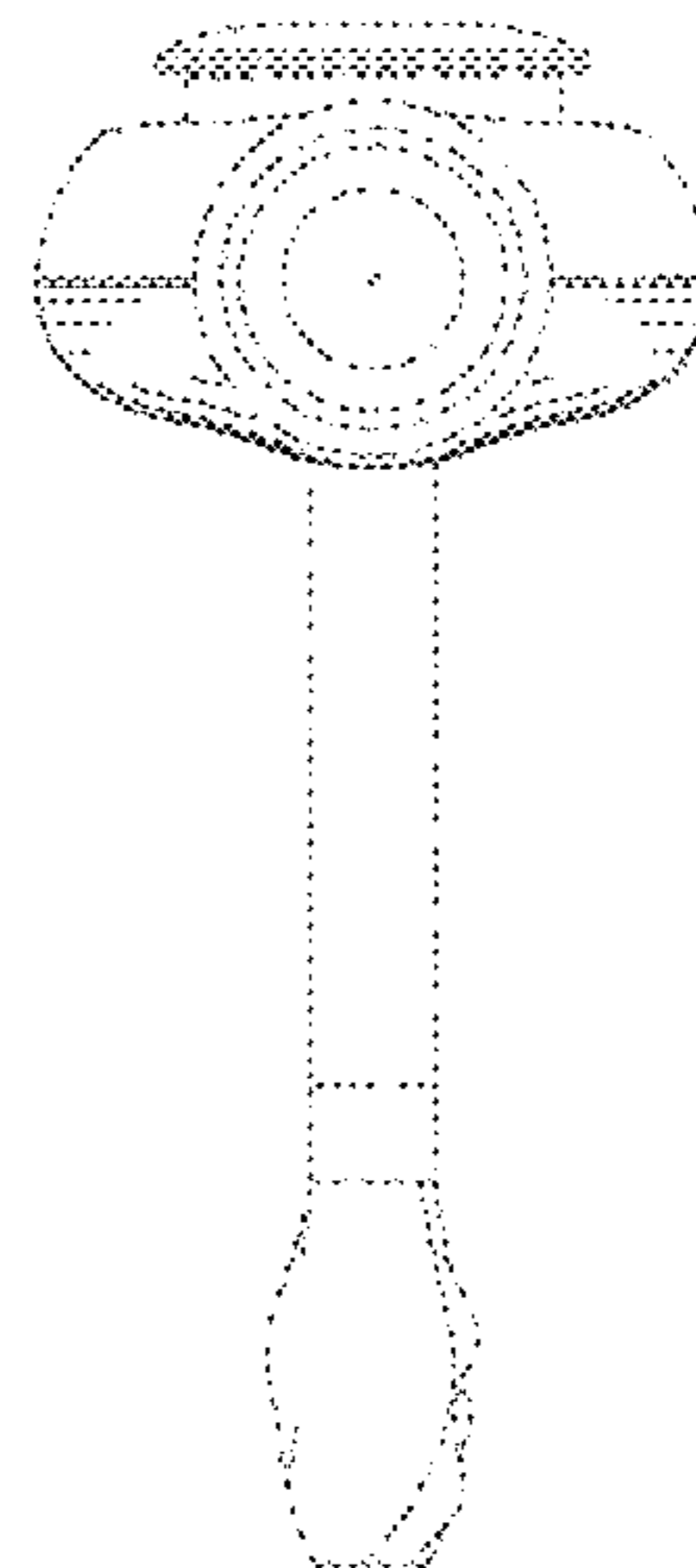
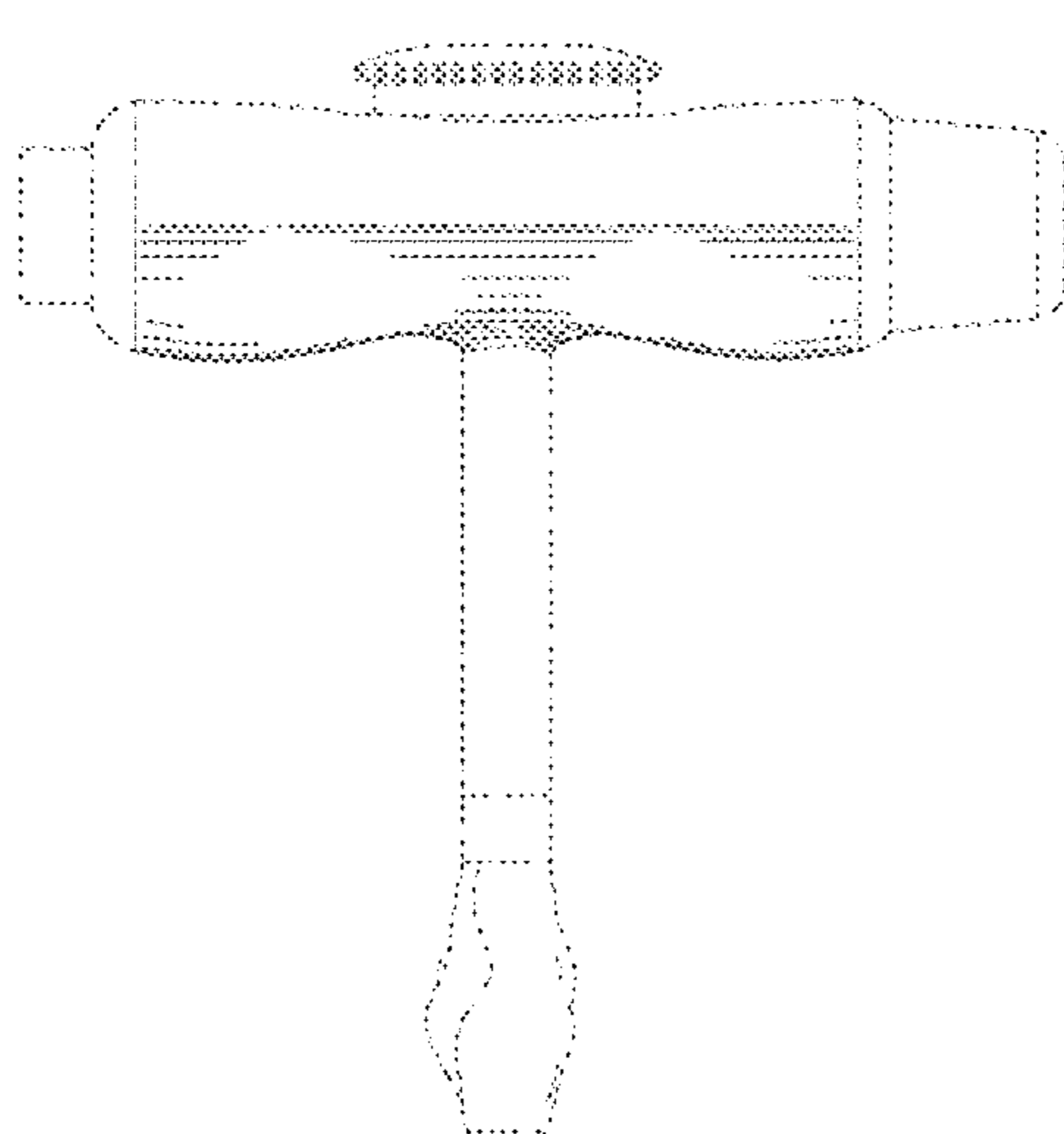
(57) **CLAIM**

We claim the ornamental design for an enteral feeding tube base, as shown and described.

DESCRIPTION

FIG. 1 is a right side view of enteral feeding tube base showing our new design;
FIG. 2 is a right end view thereof;
FIG. 3 is a left side view thereof;
FIG. 4 is a left end view thereof;
FIG. 5 is a top plan view thereof; and,
FIG. 6 is a bottom plan view thereof.
The broken lines are for illustrative purposes only and form no part of the claimed design.

1 Claim, 3 Drawing Sheets



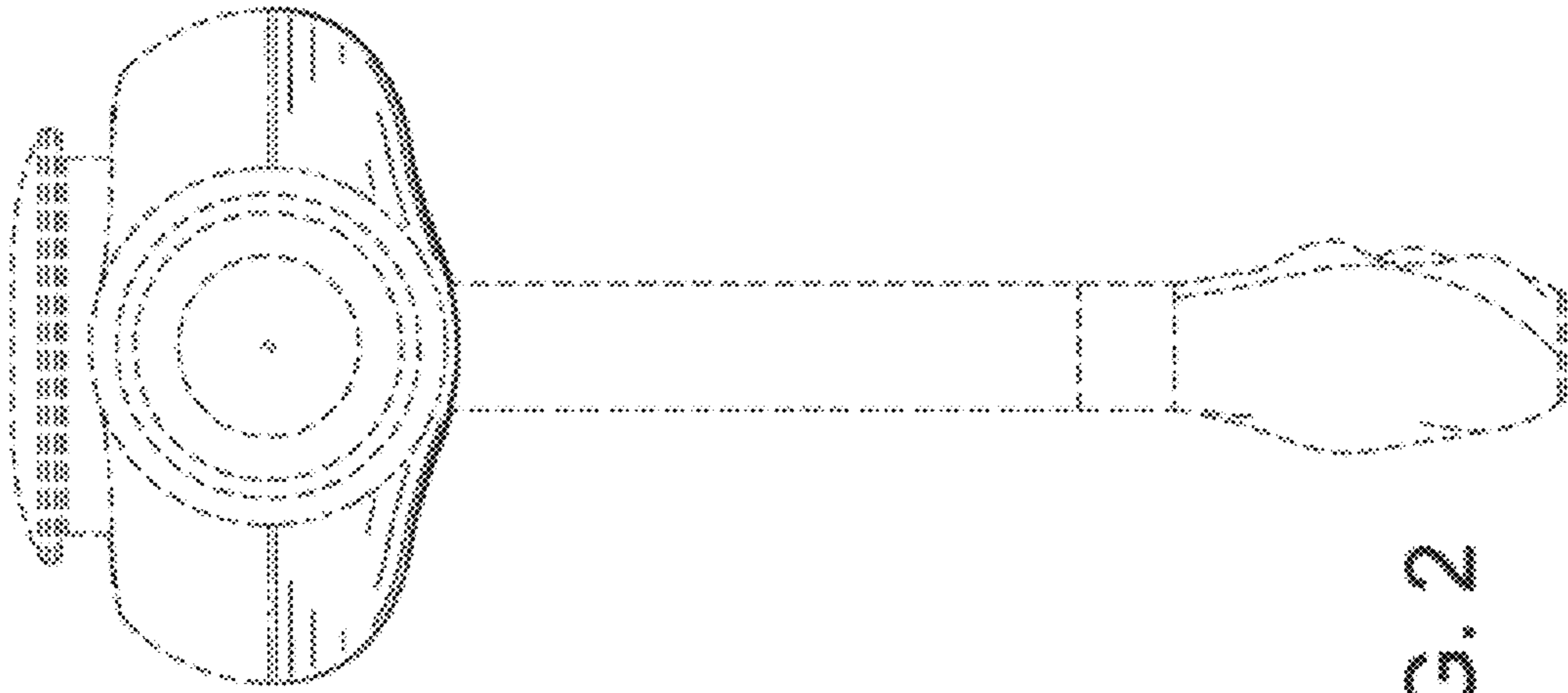


FIG. 2

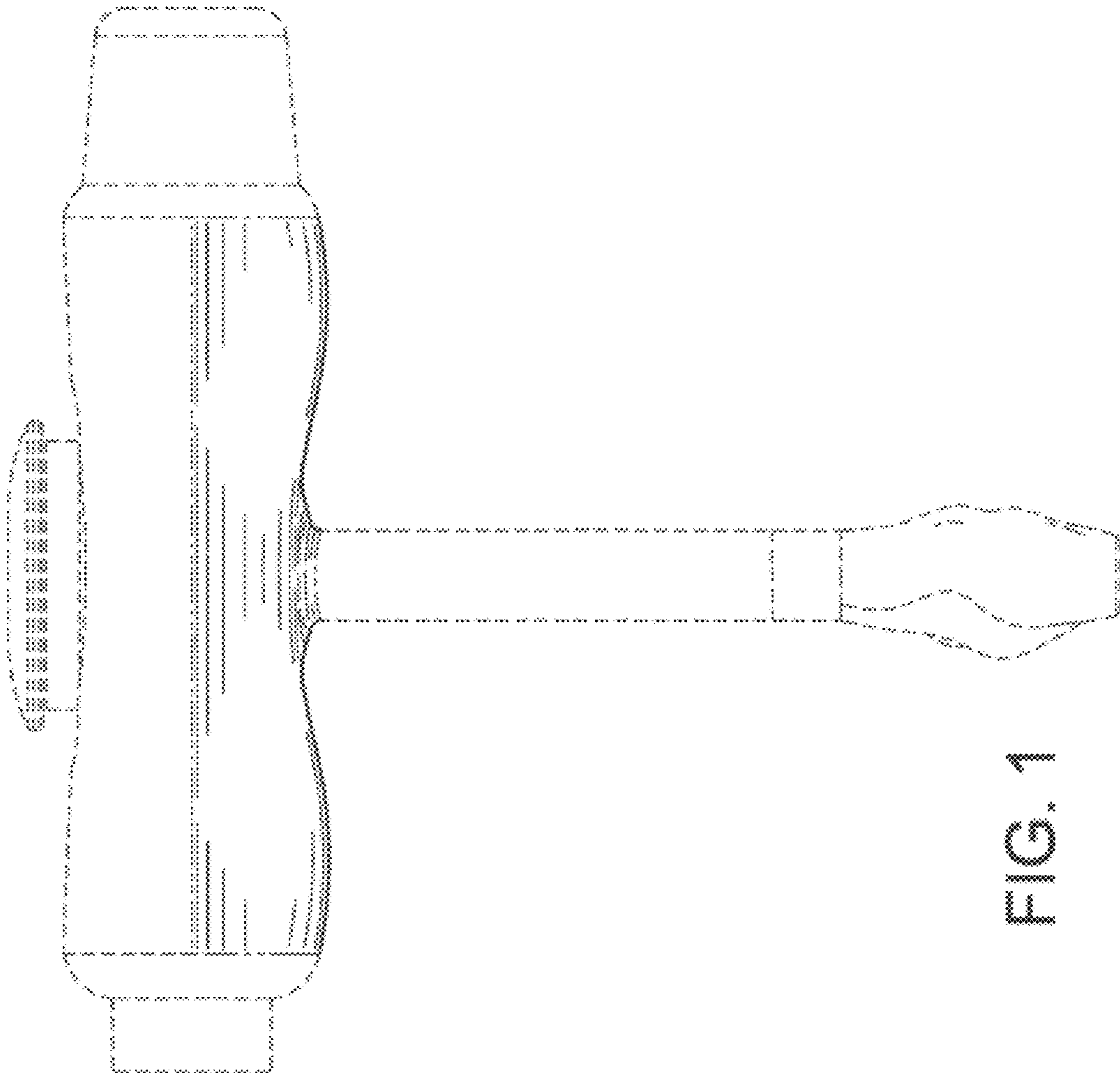


FIG. 1

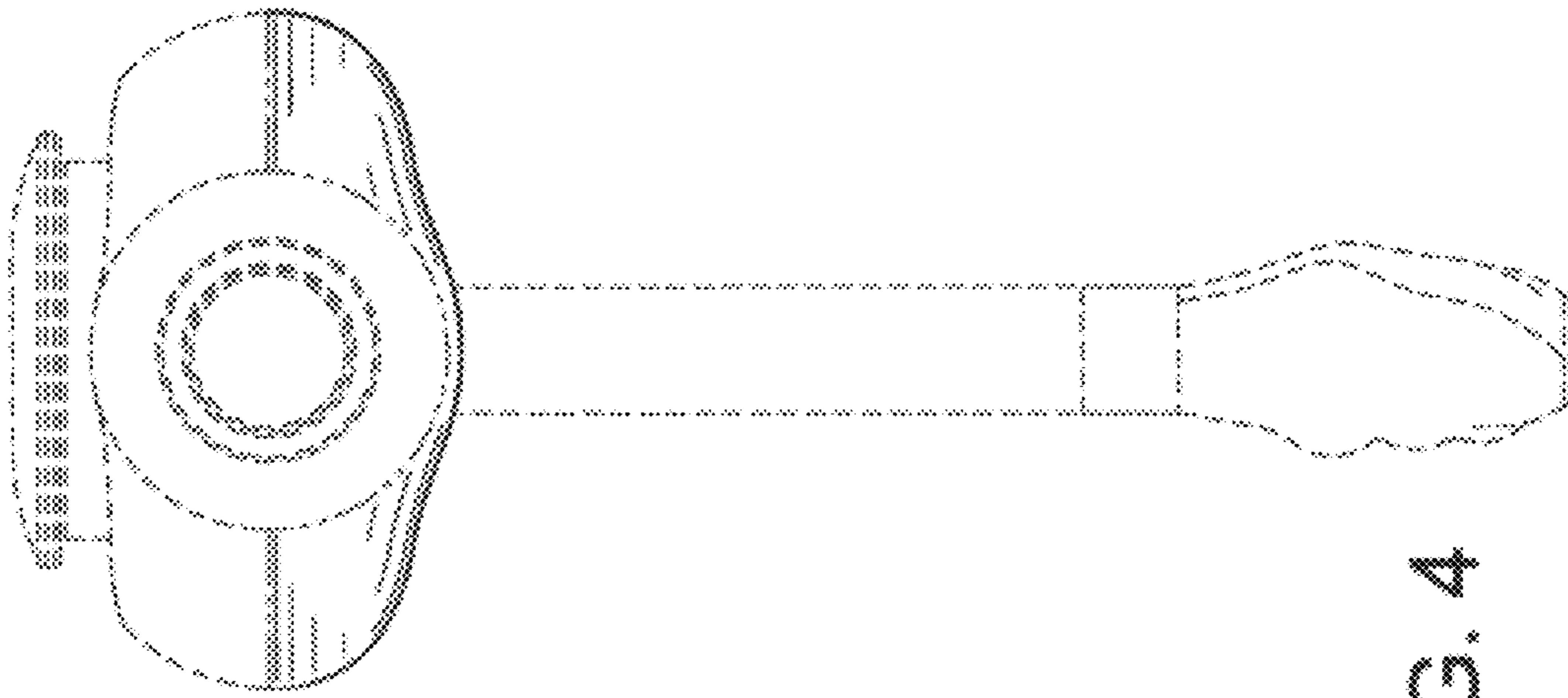


FIG. 4

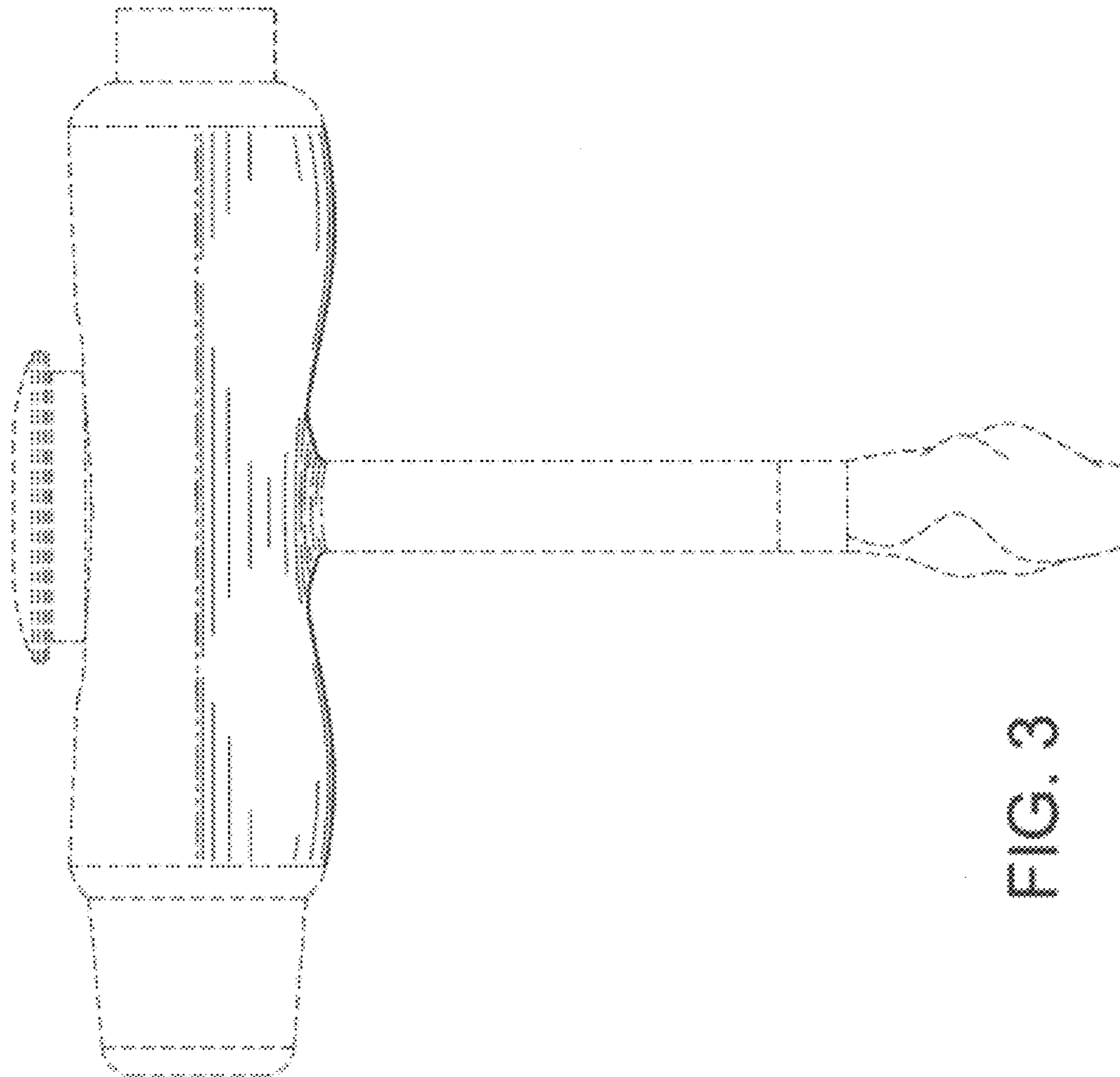


FIG. 3

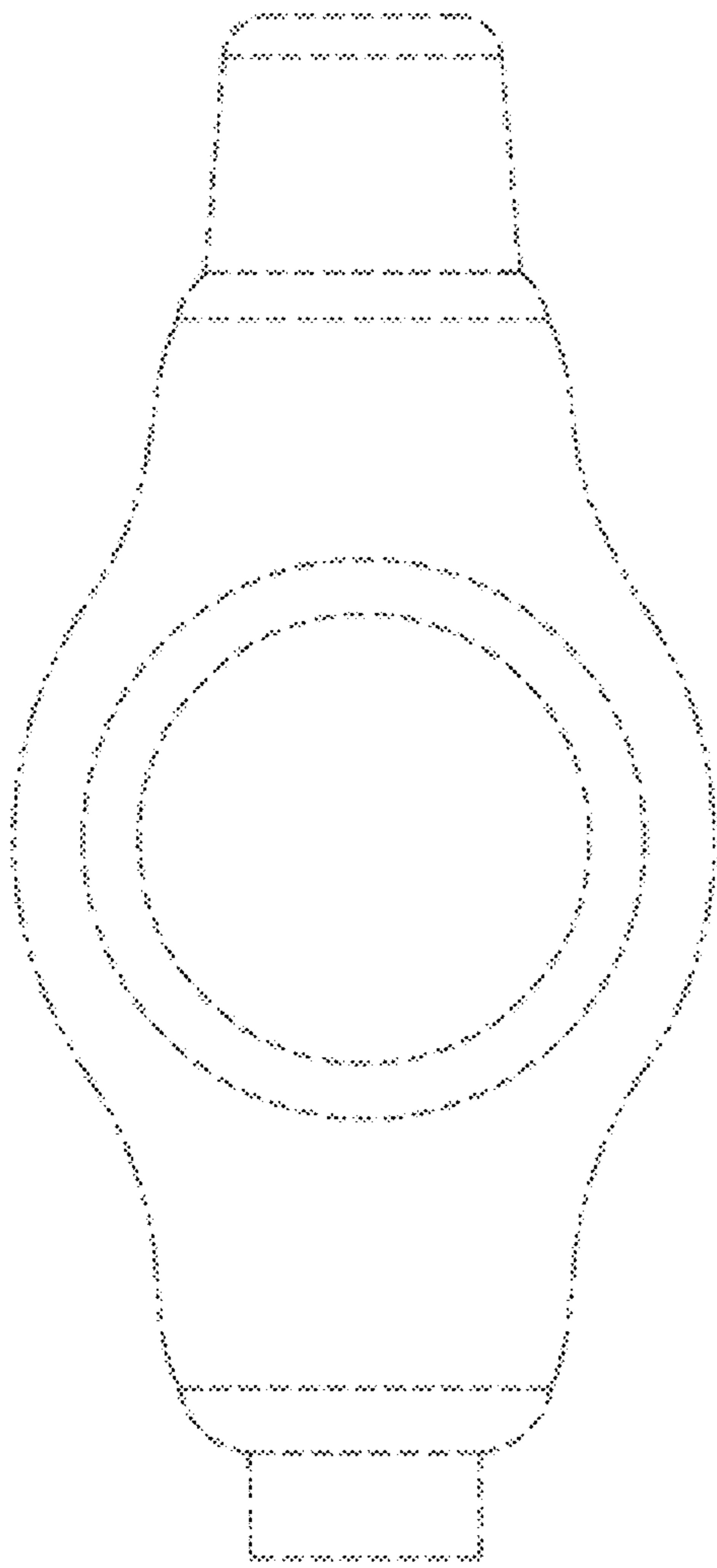


FIG. 5

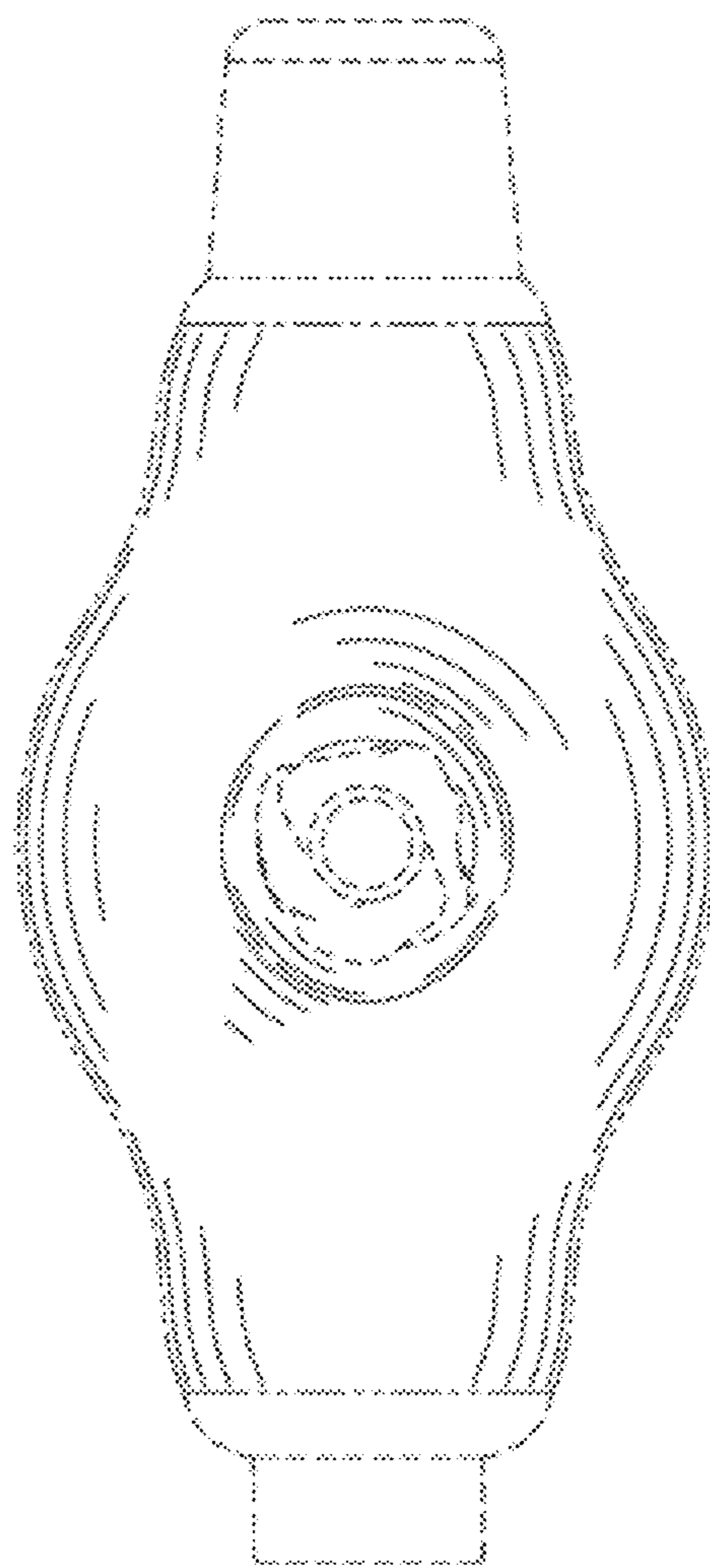


FIG. 6