



US00D679391S

(12) **United States Design Patent**
Chinowsky et al.

(10) **Patent No.:** **US D679,391 S**

(45) **Date of Patent:** **** Apr. 2, 2013**

(54) **CARTRIDGE FOR MEDICAL DEVICE**

(76) Inventors: **Timothy Mark Chinowsky**, Seattle, WA (US); **Jiguang Zhang**, Seattle, WA (US); **Cynthia M K Warehime**, Kenmore, WA (US); **Michael Blaivas**, Cumming, GA (US); **Jared Randall**, Seattle, WA (US); **Joshua Mikhael Kornfeld**, Seattle, WA (US); **Jeffrey William Ladwig**, Seattle, WA (US); **Austin Rand Porter**, Seattle, WA (US)

(**) Term: **14 Years**

(21) Appl. No.: **29/397,671**

(22) Filed: **Jul. 19, 2011**

(51) **LOC (9) Cl.** **24-02**

(52) **U.S. Cl.** **D24/127**

(58) **Field of Classification Search** D24/112-114, D24/127-131, 133, 186; 606/181, 185; 604/232, 604/187, 158, 164.08, 192, 263, 163, 181, 604/184, 198, 227; 600/101, 139, 143, 554; 128/200.24, 207.14, 207.15

See application file for complete search history.

(56) **References Cited**

U.S. PATENT DOCUMENTS

D298,353 S *	11/1988	Manno	D24/133
5,046,506 A *	9/1991	Singer	600/554
D389,915 S *	1/1998	Emerson et al.	D24/133
D418,223 S *	12/1999	Phipps et al.	D24/133
D537,162 S *	2/2007	Bacher et al.	D24/133
D543,273 S *	5/2007	Young et al.	D24/114

D545,439 S *	6/2007	Draudt et al.	D24/186
D569,508 S *	5/2008	Bacher et al.	D24/133
D633,814 S *	3/2011	Nishiyama	D24/186
D634,422 S *	3/2011	El-Gad et al.	D24/113
D637,287 S *	5/2011	Mudd et al.	D24/133
D667,948 S *	9/2012	Moldenhauer	D24/113
D670,375 S *	11/2012	Corbin	D24/113

* cited by examiner

Primary Examiner — David Muller

(74) *Attorney, Agent, or Firm* — Foster Pepper PLLC; Richard T. Black; Richard A. Koske

(57) **CLAIM**

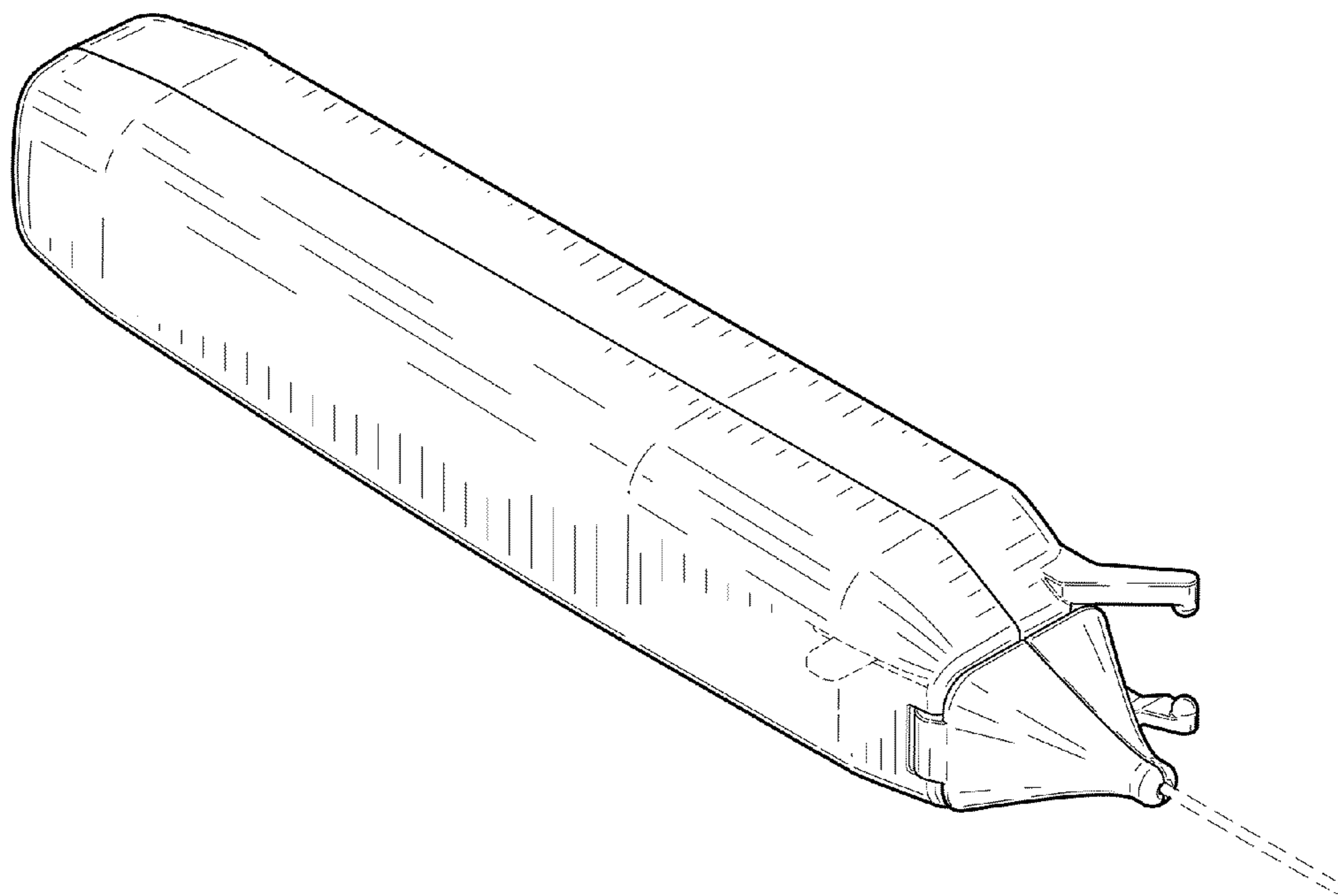
The ornamental design for a cartridge for medical device, as shown and described.

DESCRIPTION

FIG. 1 is a front perspective view of a cartridge for medical device, showing our new design; FIG. 2 is a rear perspective view of the cartridge; FIG. 3 is a front elevation view of the cartridge; FIG. 4 is a bottom plan view of the cartridge; FIG. 5 is a top plan view of the cartridge; FIG. 6 is a rear elevation view of the cartridge; FIG. 7 is a left side elevation view of the cartridge; FIG. 8 is a right side elevation view of the cartridge; and, FIG. 9 is a front perspective view of the cartridge affixed to medical device.

The structural elements shown in broken lines depict environmental subject matter only and form no part of the claimed design.

1 Claim, 6 Drawing Sheets



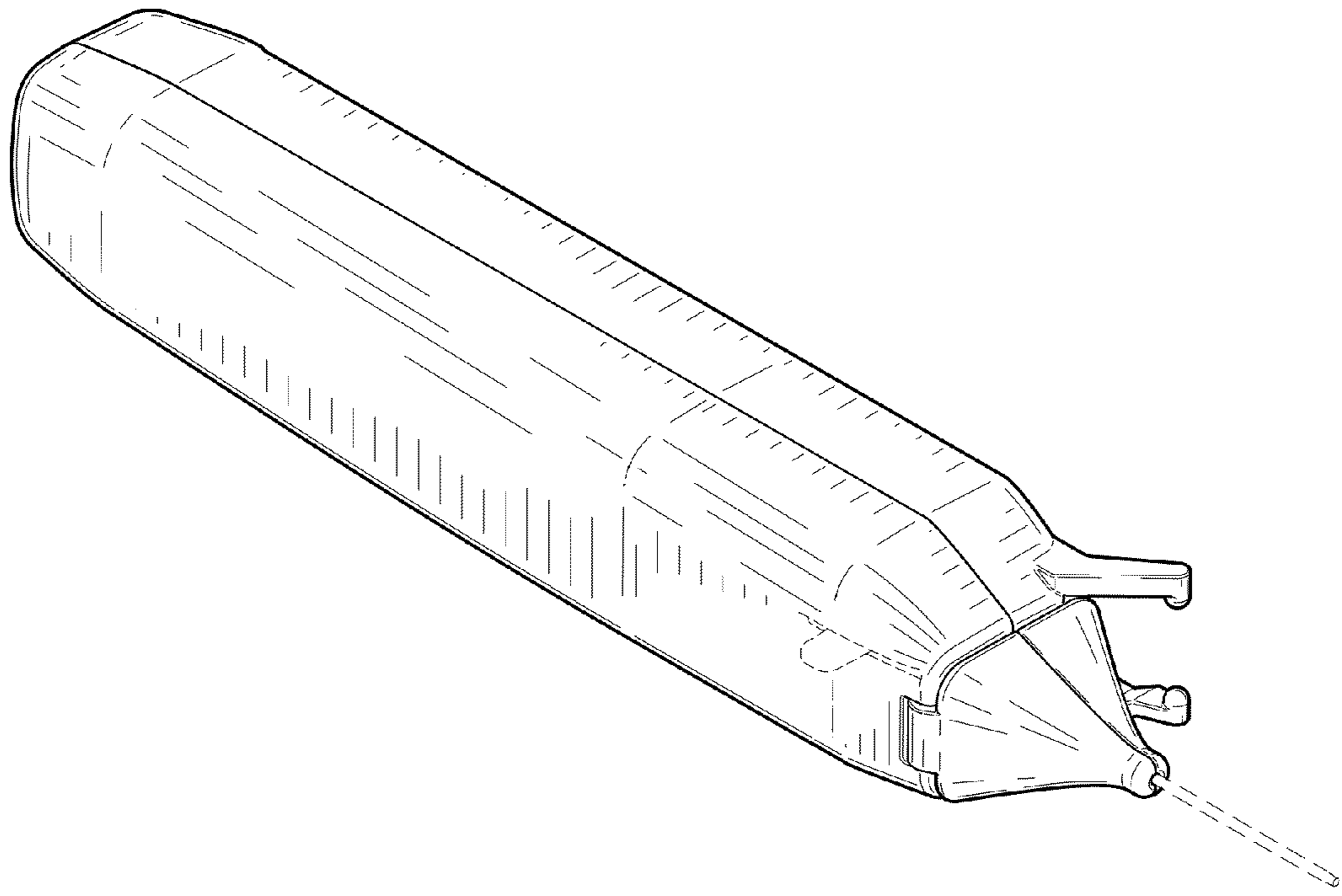


FIG.1

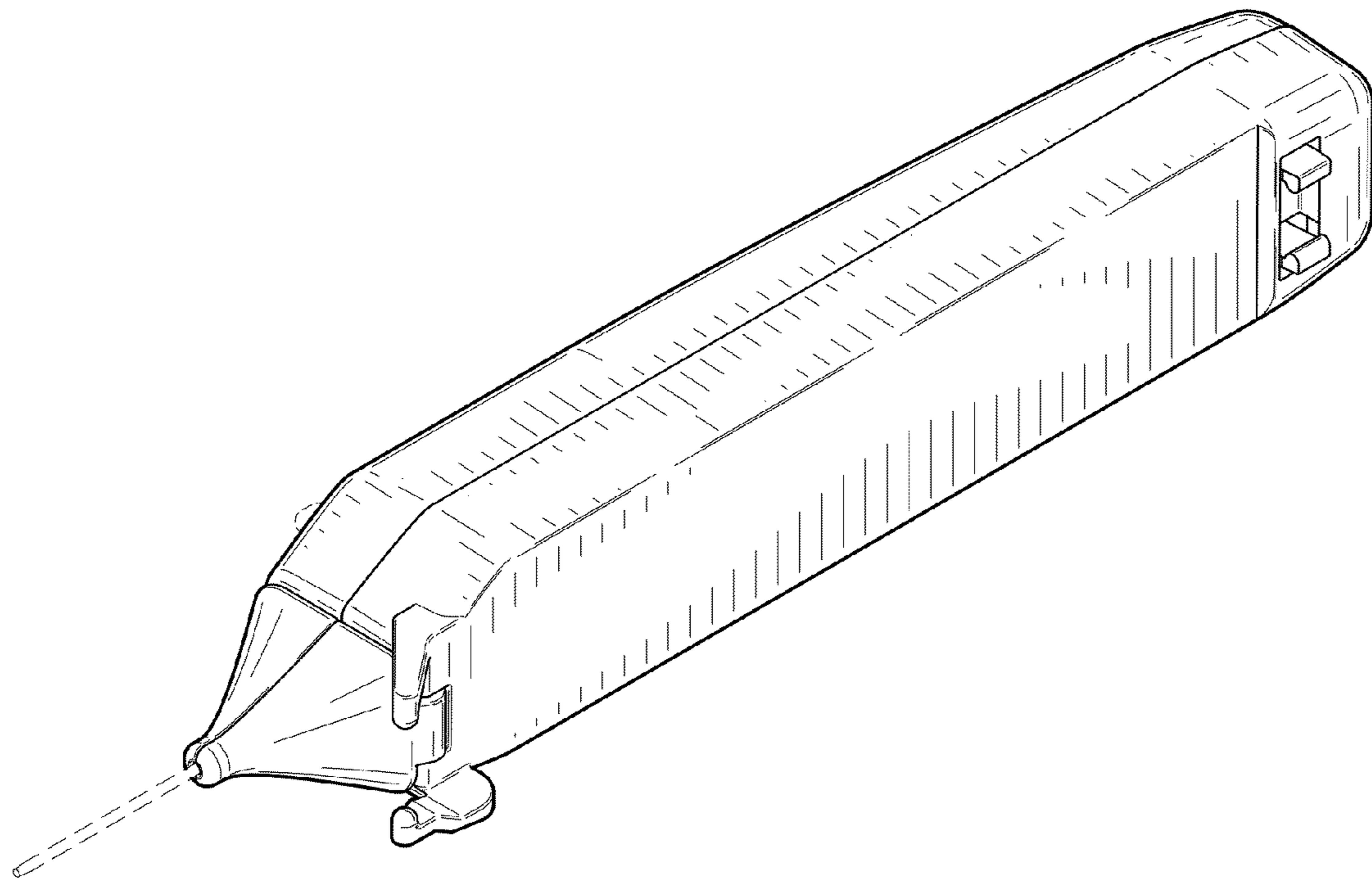


FIG.2

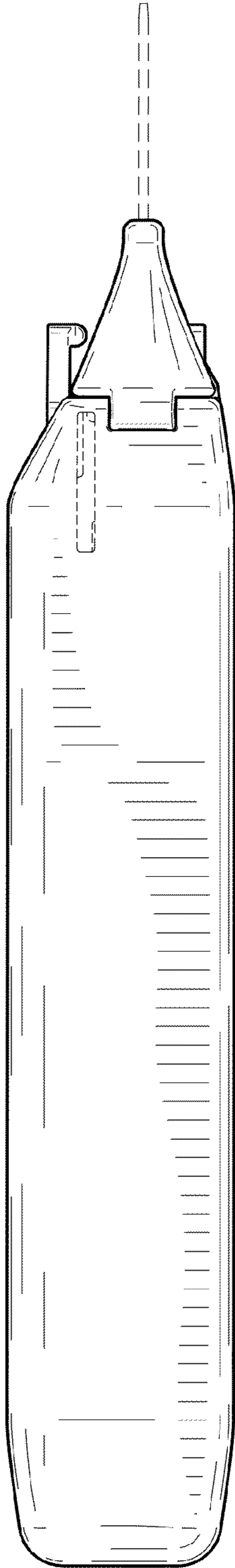


FIG. 3

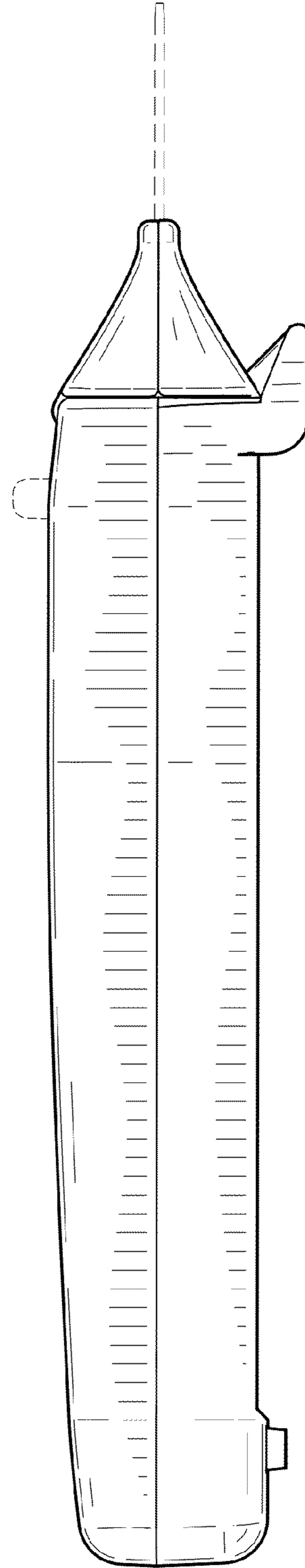


FIG. 4

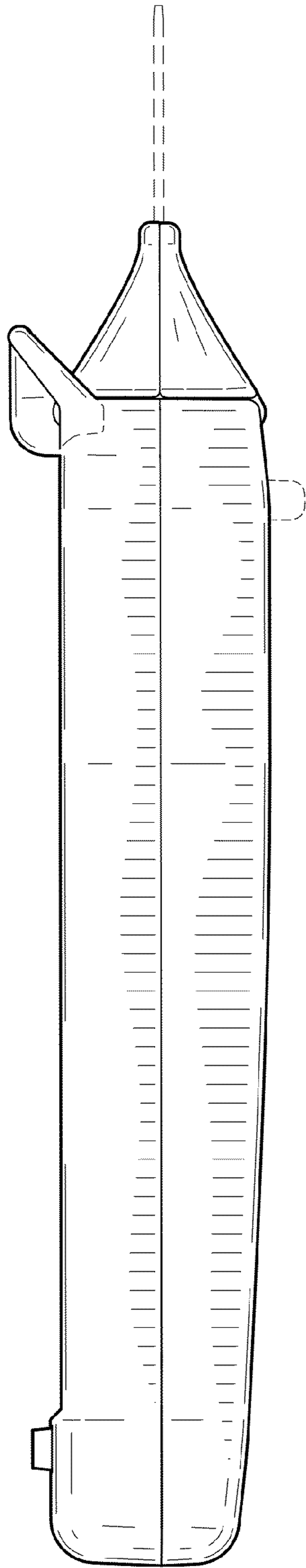


FIG. 5

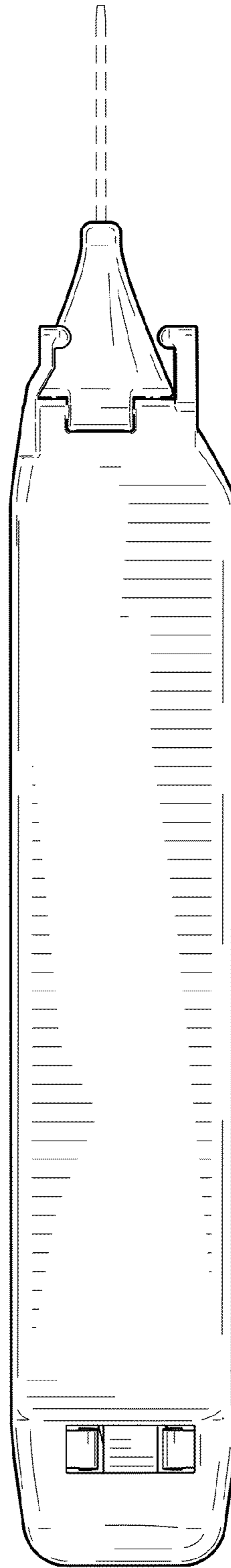


FIG. 6

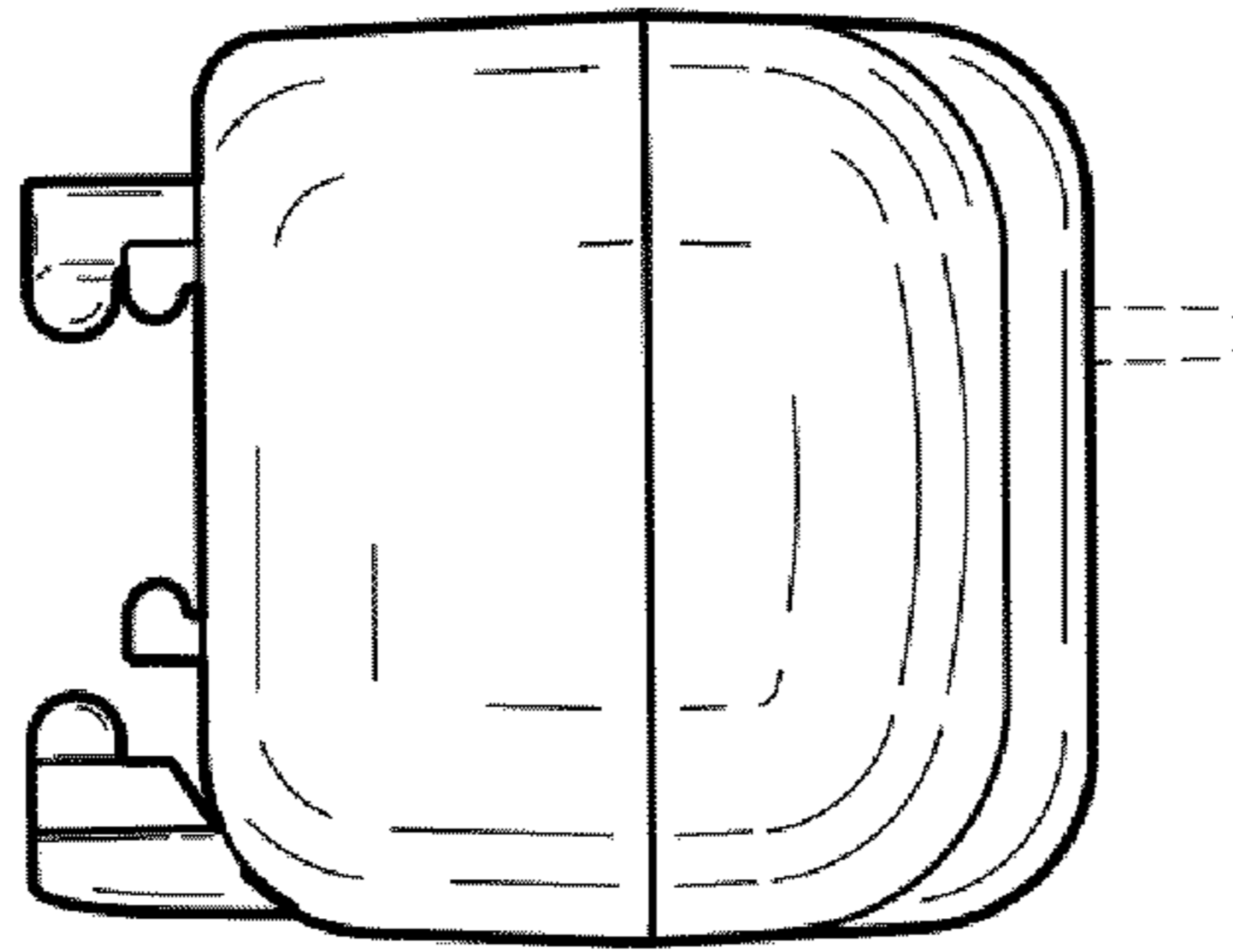


FIG. 7

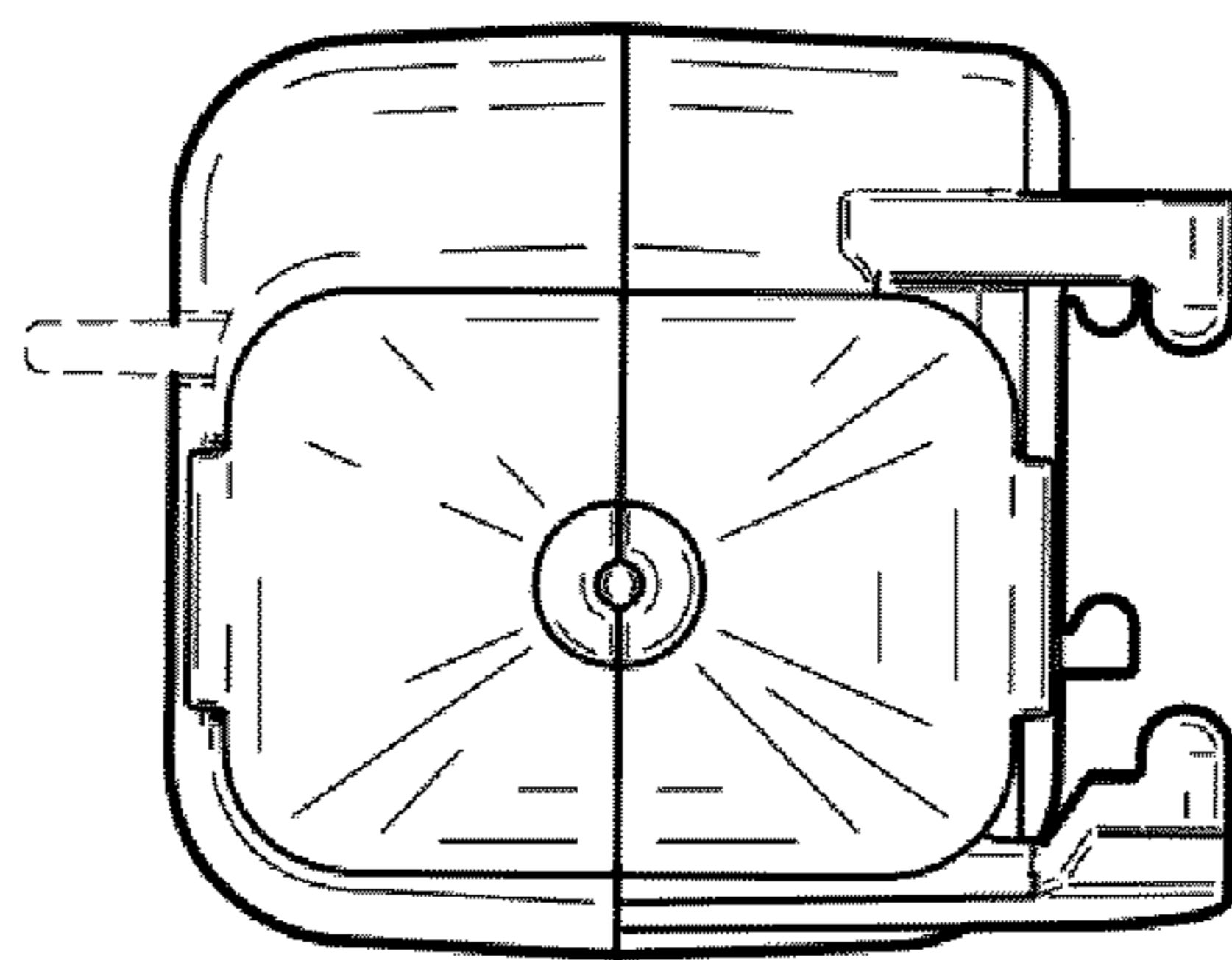


FIG. 8

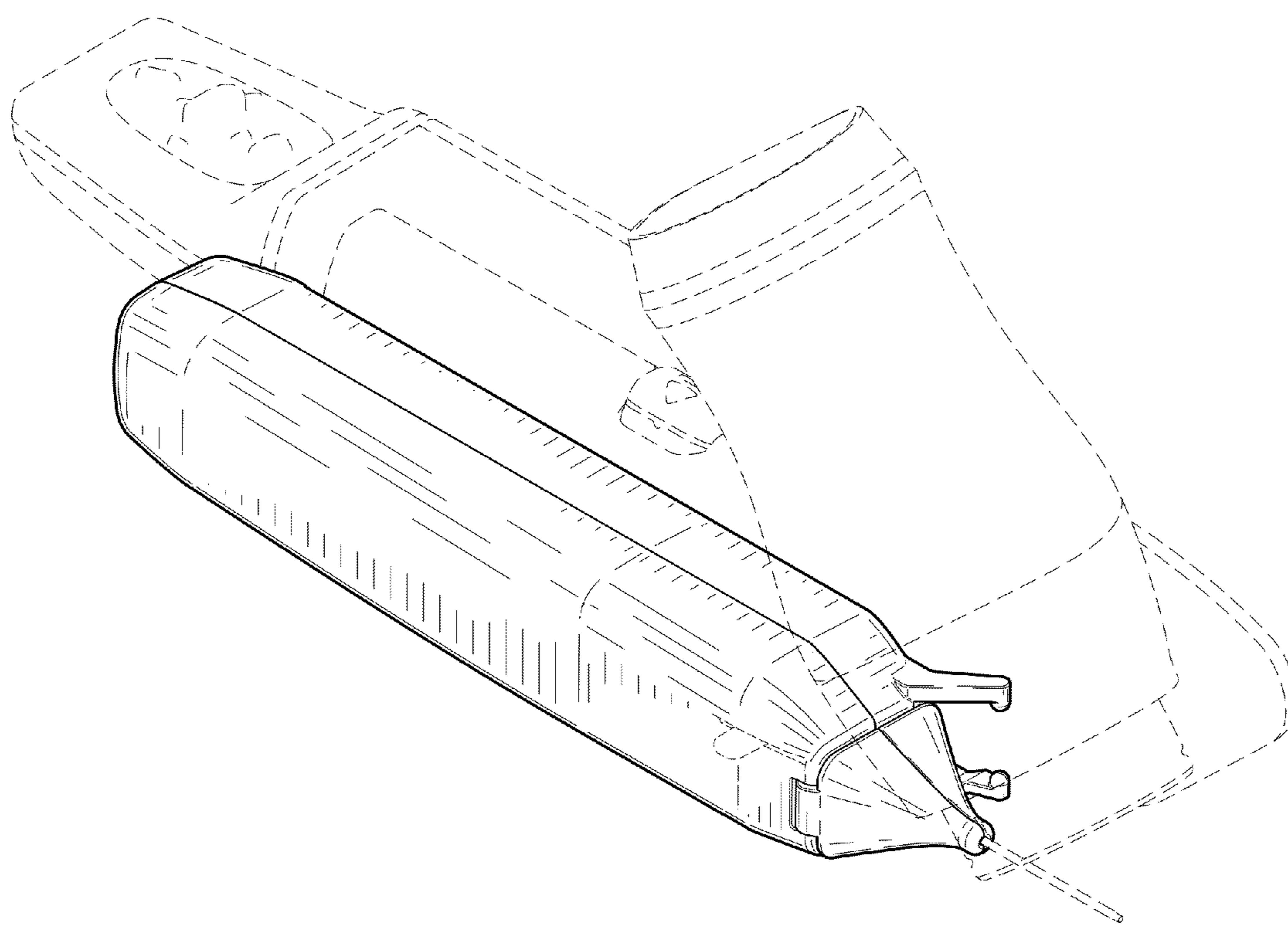


FIG.9