



US00D679389S

(12) **United States Design Patent**  
**Morton**

(10) **Patent No.:** **US D679,389 S**

(45) **Date of Patent:** **\*\* Apr. 2, 2013**

(54) **WINDOW FRAME EXTRUSION**

(75) **Inventor:** **Jonathan G. Morton**, Carlisle, OH (US)

(73) **Assignee:** **Deceuninck North America, LLC**,  
Monroe, OH (US)

(\*\*) **Term:** **14 Years**

(21) **Appl. No.:** **29/395,672**

(22) **Filed:** **Mar. 12, 2012**

(51) **LOC (9) Cl.** ..... **25-01**

(52) **U.S. Cl.** ..... **D24/124**

(58) **Field of Classification Search** ..... D25/124;  
52/204.5, 204.63, 204.705, 656.2, 656.5;  
49/DIG. 2, 504

See application file for complete search history.

(56) **References Cited**

U.S. PATENT DOCUMENTS

4,944,118 A \* 7/1990 Biro ..... 49/504  
5,557,894 A \* 9/1996 Card ..... 52/204.5

D382,072 S \* 8/1997 Dallaire et al. .... D25/124  
D500,146 S \* 12/2004 Franson ..... D25/124  
6,857,232 B2 \* 2/2005 Bealko ..... 52/211  
D504,182 S \* 4/2005 Goss ..... D25/124  
D557,827 S \* 12/2007 Willman ..... D25/124  
D590,516 S \* 4/2009 Campbell et al. .... D25/124  
D596,763 S \* 7/2009 Chappell ..... D25/124  
2006/0026913 A1 \* 2/2006 Turner ..... 52/204.5

\* cited by examiner

*Primary Examiner* — Doris Clark

(74) *Attorney, Agent, or Firm* — Jacox, Meckstroth &  
Jenkins

(57) **CLAIM**

The ornamental design for a window frame extrusion, as shown and described.

**DESCRIPTION**

FIG. 1 is a perspective view of a window frame extrusion, showing my new design, with a middle portion broken away to disclose indefinite length; and, FIG. 2 is an end view thereof, the opposite end view being a mirror image.

**1 Claim, 1 Drawing Sheet**

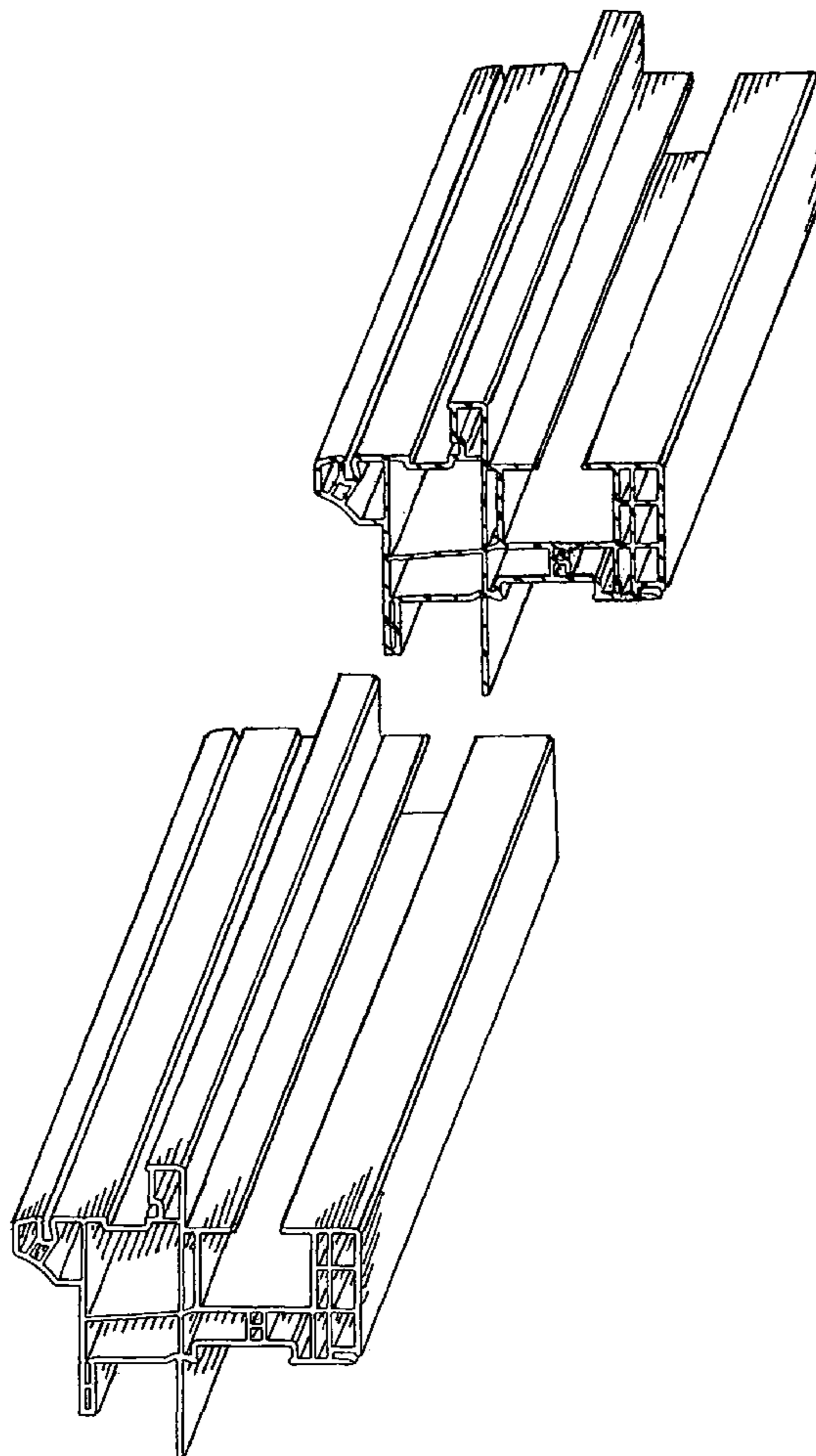


FIG. 1

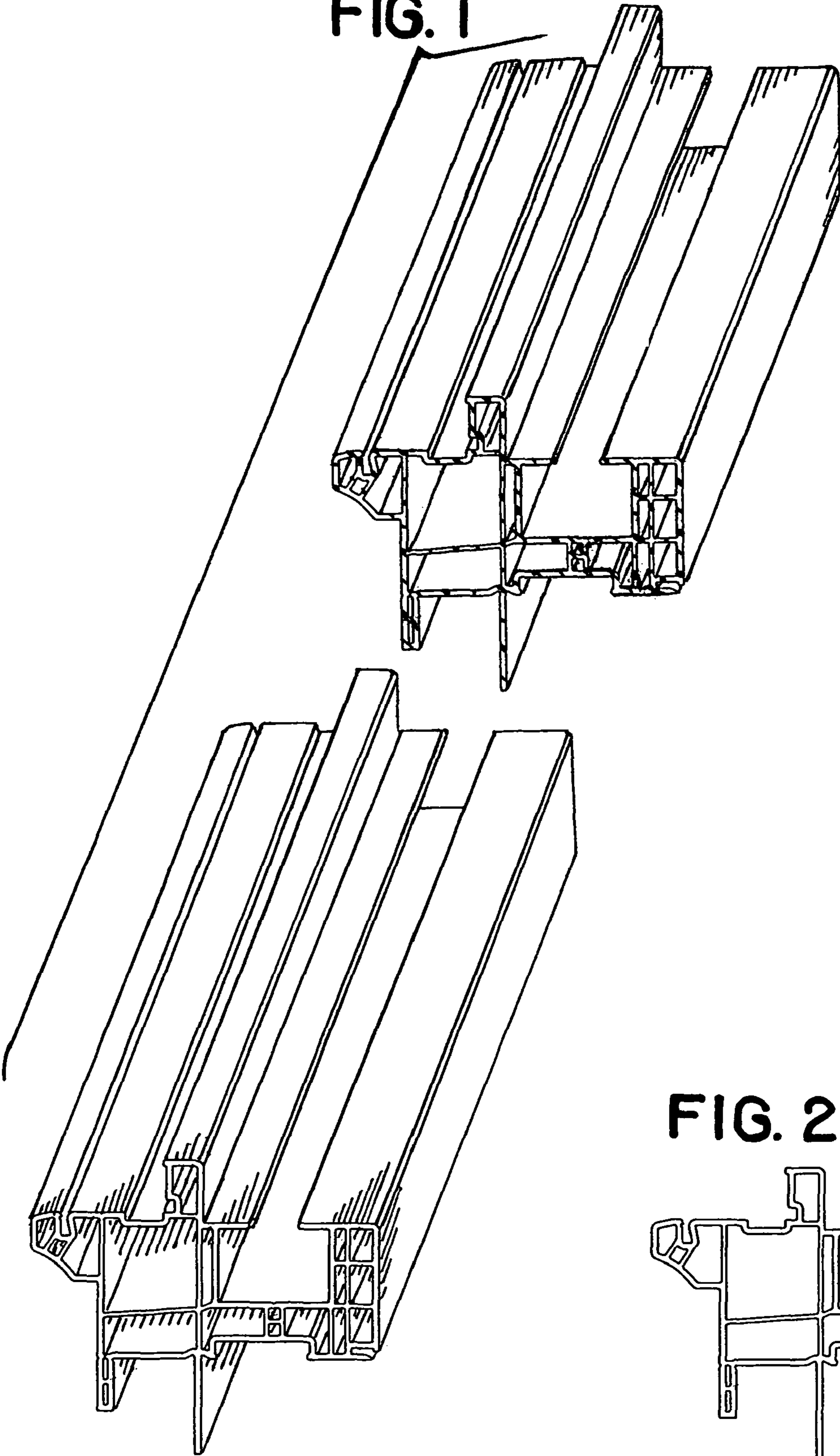


FIG. 2

