



US00D679384S

(12) **United States Design Patent**  
**Morton**

(10) **Patent No.:** **US D679,384 S**

(45) **Date of Patent:** **\*\* Apr. 2, 2013**

(54) **WINDOW FRAME EXTRUSION**  
(75) Inventor: **Jonathan G. Morton**, Carlisle, OH (US)  
(73) Assignee: **Deceuninck North America, LLC**,  
Monroe, OH (US)

D382,072	S	*	8/1997	Dallaire et al.	.....	D25/124
D500,146	S	*	12/2004	Franson	.....	D25/124
6,857,232	B2	*	2/2005	Bealko	.....	52/211
D504,182	S	*	4/2005	Goss	.....	D25/124
D557,827	S	*	12/2007	Willman	.....	D25/124
D590,516	S	*	4/2009	Campbell et al.	.....	D25/124
D596,763	S	*	7/2009	Chappell	.....	D25/124
2006/0026913	A1	*	2/2006	Turner	.....	52/204.5

(\*\*) Term: **14 Years**

\* cited by examiner

(21) Appl. No.: **29/395,667**

*Primary Examiner* — Doris Clark

(22) Filed: **Mar. 12, 2012**

(74) *Attorney, Agent, or Firm* — Jacox, Meckstroth & Jenkins

(51) **LOC (9) Cl.** ..... **25-01**

(52) **U.S. Cl.** ..... **D24/124**

(58) **Field of Classification Search** ..... D25/124;  
52/204.5, 204.63, 204.705, 656.2, 656.5;  
49/DIG. 2, 504

(57) **CLAIM**

The ornamental design for a window frame extrusion, as shown and described.

See application file for complete search history.

**DESCRIPTION**

FIG. 1 is a perspective view of a window frame extrusion, showing my new design, with a middle portion broken away to disclose indefinite length; and, FIG. 2 is an end view thereof, the opposite end view being a mirror image.

(56) **References Cited**

U.S. PATENT DOCUMENTS

4,944,118	A	*	7/1990	Biro	.....	49/504
5,557,894	A	*	9/1996	Card	.....	52/204.5

**1 Claim, 1 Drawing Sheet**

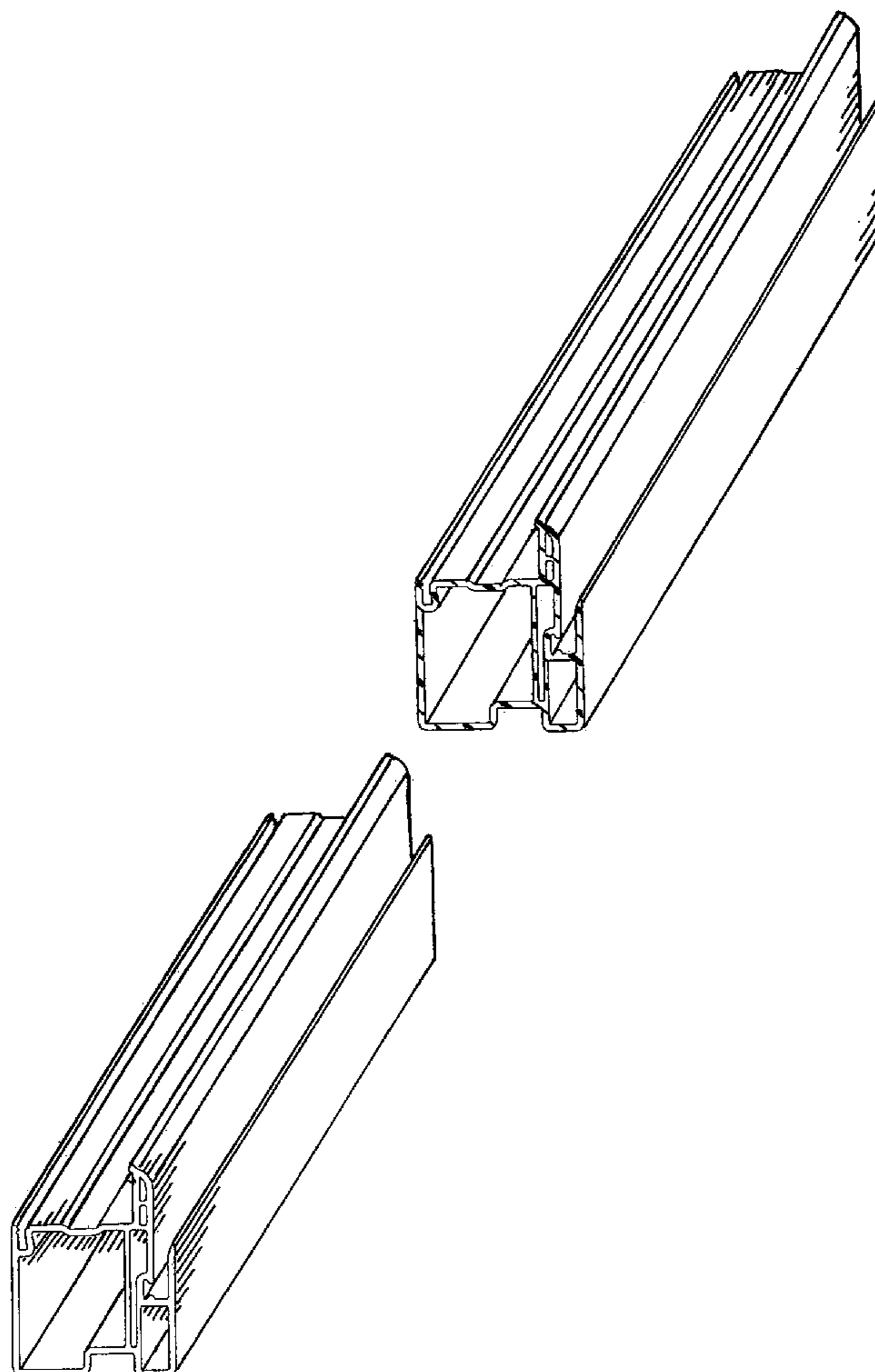


FIG. 1

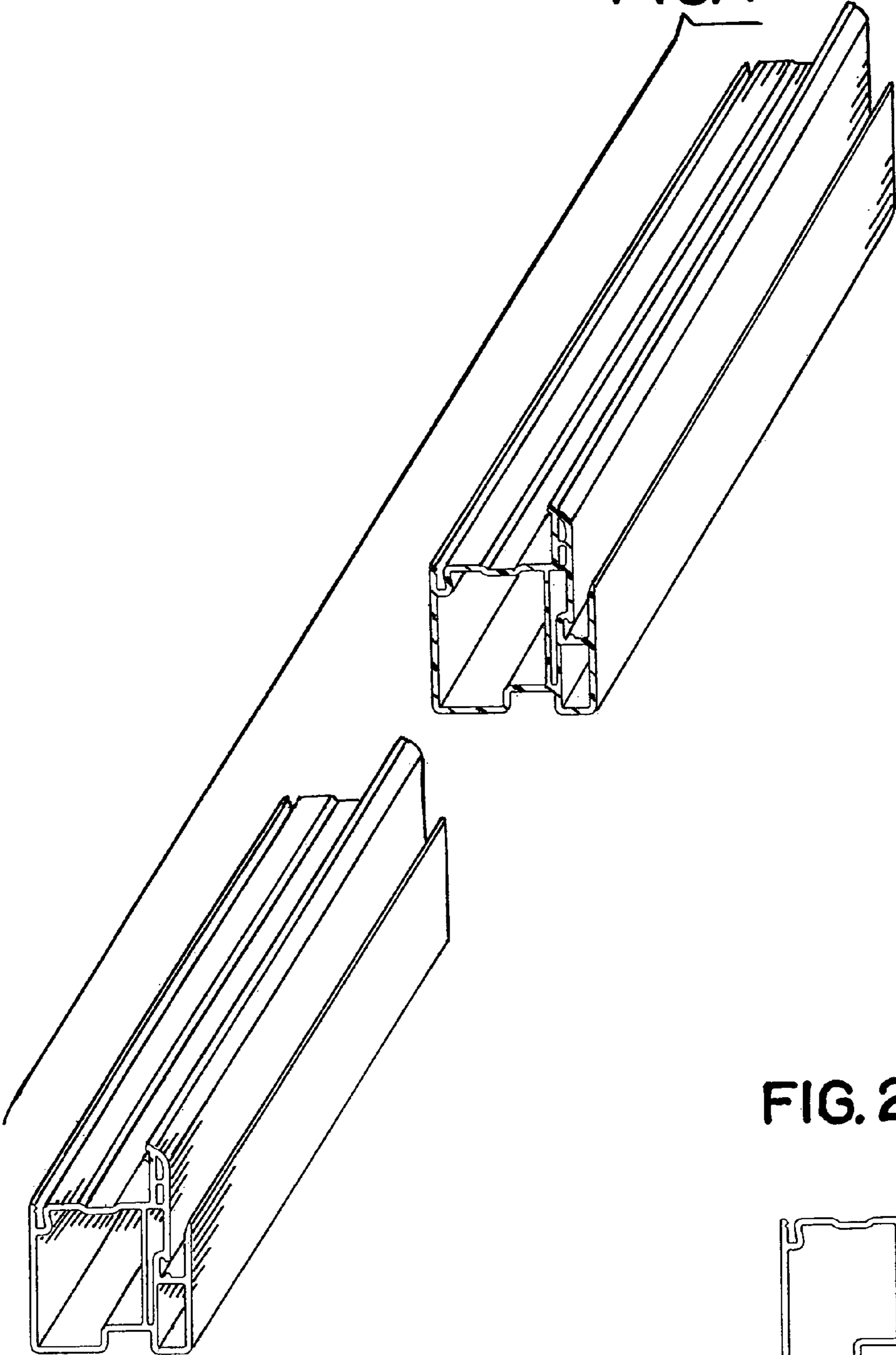


FIG. 2

