

US00D679383S

(12) **United States Design Patent**
Morton et al.

(10) **Patent No.:** **US D679,383 S**

(45) **Date of Patent:** **** Apr. 2, 2013**

(54) **WINDOW GLAZING BEAD EXTRUSION**

(56) **References Cited**

(75) Inventors: **Philip G. Morton**, Germantown, OH
(US); **Sidney M. Wiesemann**, Erlanger,
KY (US)

U.S. PATENT DOCUMENTS

6,378,253 B1 * 4/2002 Richardson 52/204.5
D499,494 S * 12/2004 Tjakra et al. D25/60
D504,182 S * 4/2005 Goss D25/124

(73) Assignee: **Deceuninck North America, LLC**,
Monroe, OH (US)

* cited by examiner

Primary Examiner — Doris Clark

(**) Term: **14 Years**

(74) *Attorney, Agent, or Firm* — Jacox, Meckstroth &
Jenkins

(21) Appl. No.: **29/395,645**

(57) **CLAIM**

The ornamental design for a window glazing bead extrusion,
as shown and described.

(22) Filed: **Mar. 5, 2012**

DESCRIPTION

(51) **LOC (9) Cl.** **25-01**

(52) **U.S. Cl.** **D24/124**

(58) **Field of Classification Search** D25/124;
52/204.5, 204.63, 204.705, 656.2, 656.5;
49/DIG. 2, 504

FIG. 1 is a perspective view of a window glazing bead extrusion,
showing our new design, with a middle portion broken
away to disclose indefinite length; and,
FIG. 2 is an end view thereof, the opposite end view being a
mirror image.

See application file for complete search history.

1 Claim, 1 Drawing Sheet

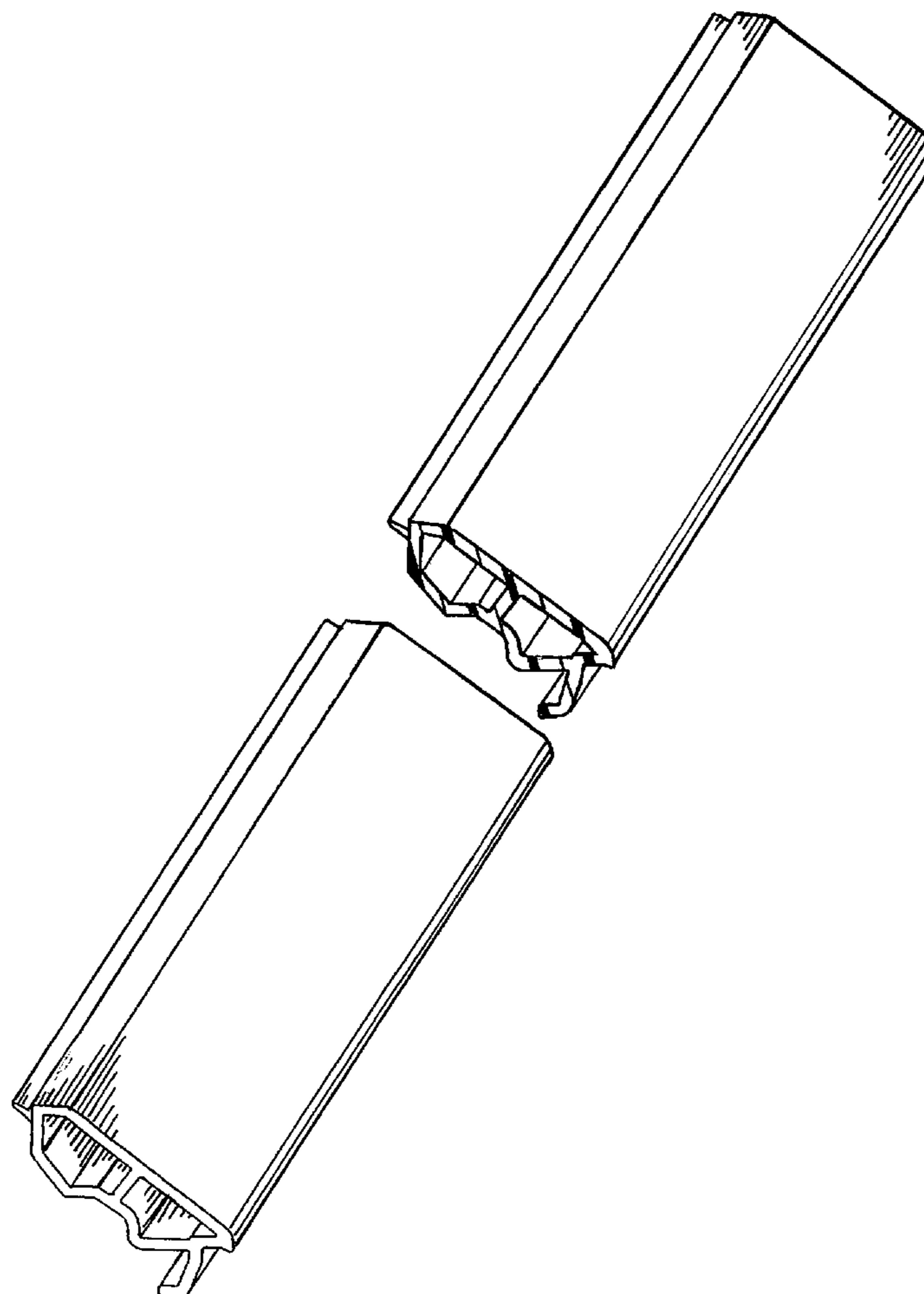


FIG. 1

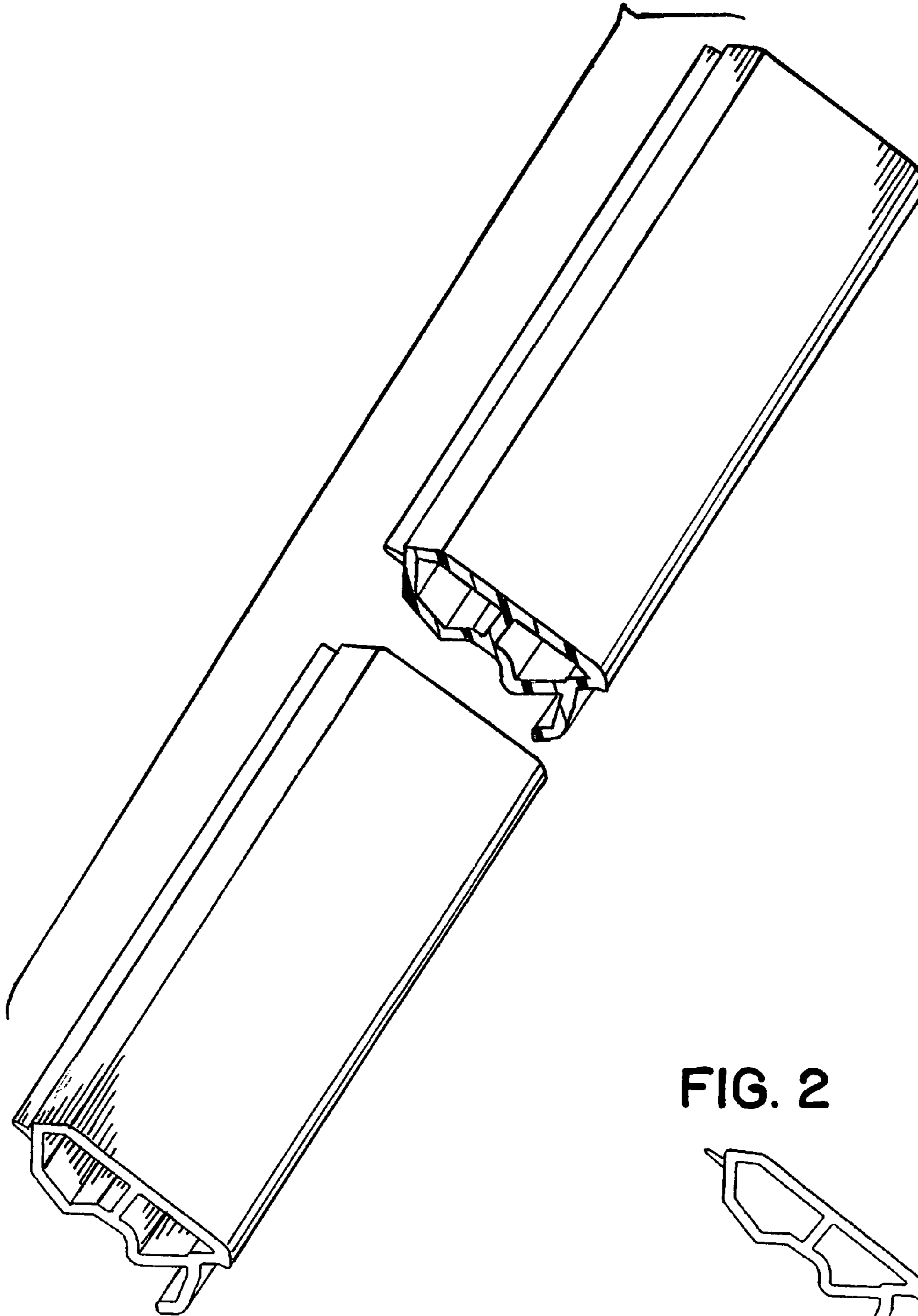


FIG. 2

