



US00D679382S

(12) **United States Design Patent**  
**Morton et al.**

(10) **Patent No.:** **US D679,382 S**

(45) **Date of Patent:** **\*\* Apr. 2, 2013**

(54) **WINDOW GLAZING BEAD EXTRUSION**

D499,494 S \* 12/2004 Tjakra et al. .... D25/60  
D504,182 S \* 4/2005 Goss ..... D25/124

(75) Inventors: **Philip G. Morton**, Germantown, OH  
(US); **Sidney M. Wiesemann**, Erlanger,  
KY (US)

\* cited by examiner

*Primary Examiner* — Doris Clark

(73) Assignee: **Deceuninck North America, LLC**,  
Monroe, OH (US)

(74) *Attorney, Agent, or Firm* — Jacox, Meckstroth &  
Jenkins

(\*\*) Term: **14 Years**

(21) Appl. No.: **29/395,644**

(57) **CLAIM**

The ornamental design of a window frame extrusion, as  
shown and described.

(22) Filed: **Mar. 5, 2012**

(51) **LOC (9) Cl.** ..... **25-01**

(52) **U.S. Cl.** ..... **D24/124**

(58) **Field of Classification Search** ..... D25/124;  
52/204.5, 204.63, 204.705, 656.2, 656.5;  
49/DIG. 2, 504

**DESCRIPTION**

See application file for complete search history.

FIG. 1 is a perspective view of a window frame extrusion,  
showing our new design, with a middle portion broken away  
to disclose indefinite length; and,  
FIG. 2 is an end view thereof, the opposite end view being a  
mirror image.

(56) **References Cited**

U.S. PATENT DOCUMENTS

6,378,253 B1 \* 4/2002 Richardson ..... 52/204.5

**1 Claim, 1 Drawing Sheet**

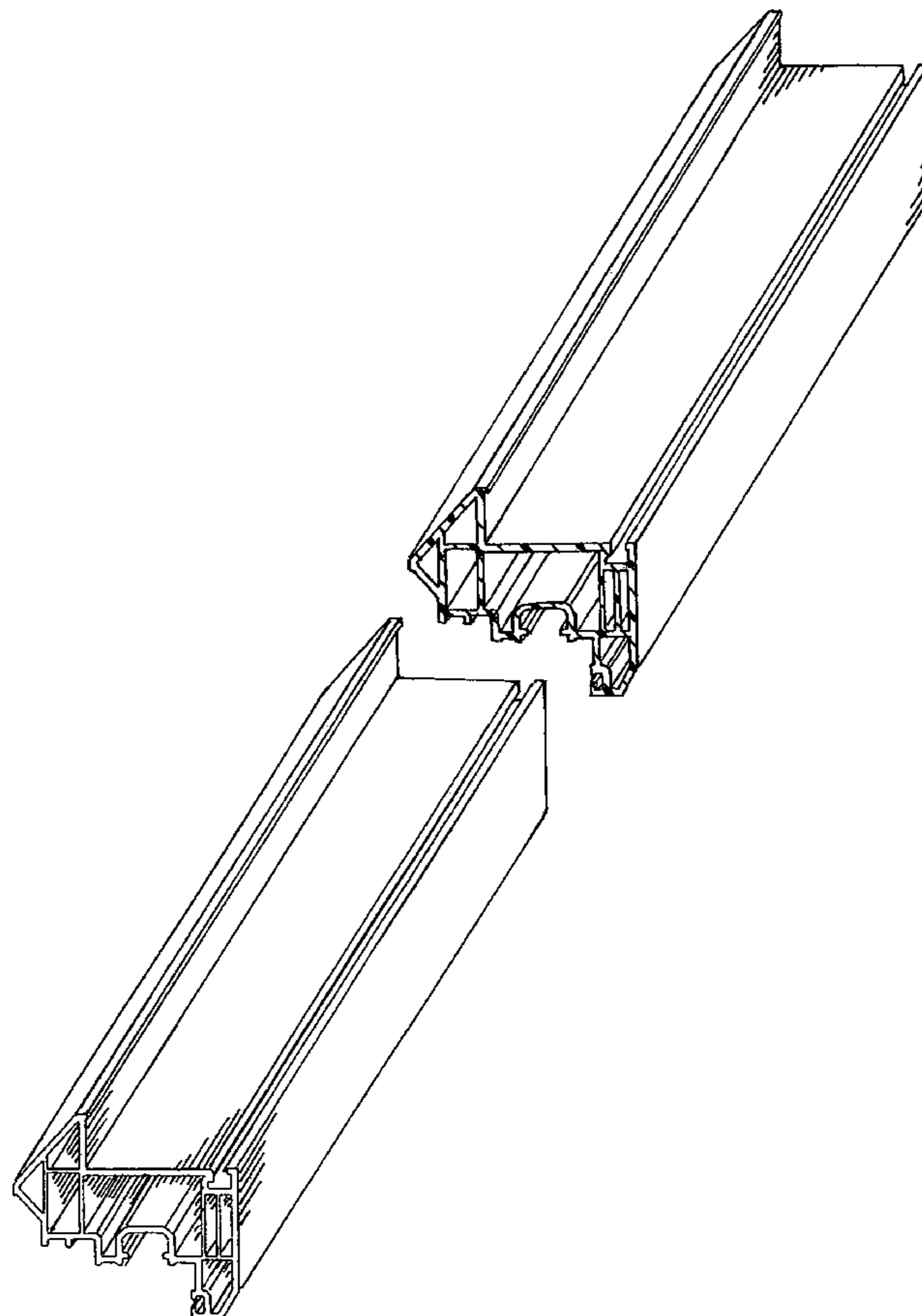


FIG. 1

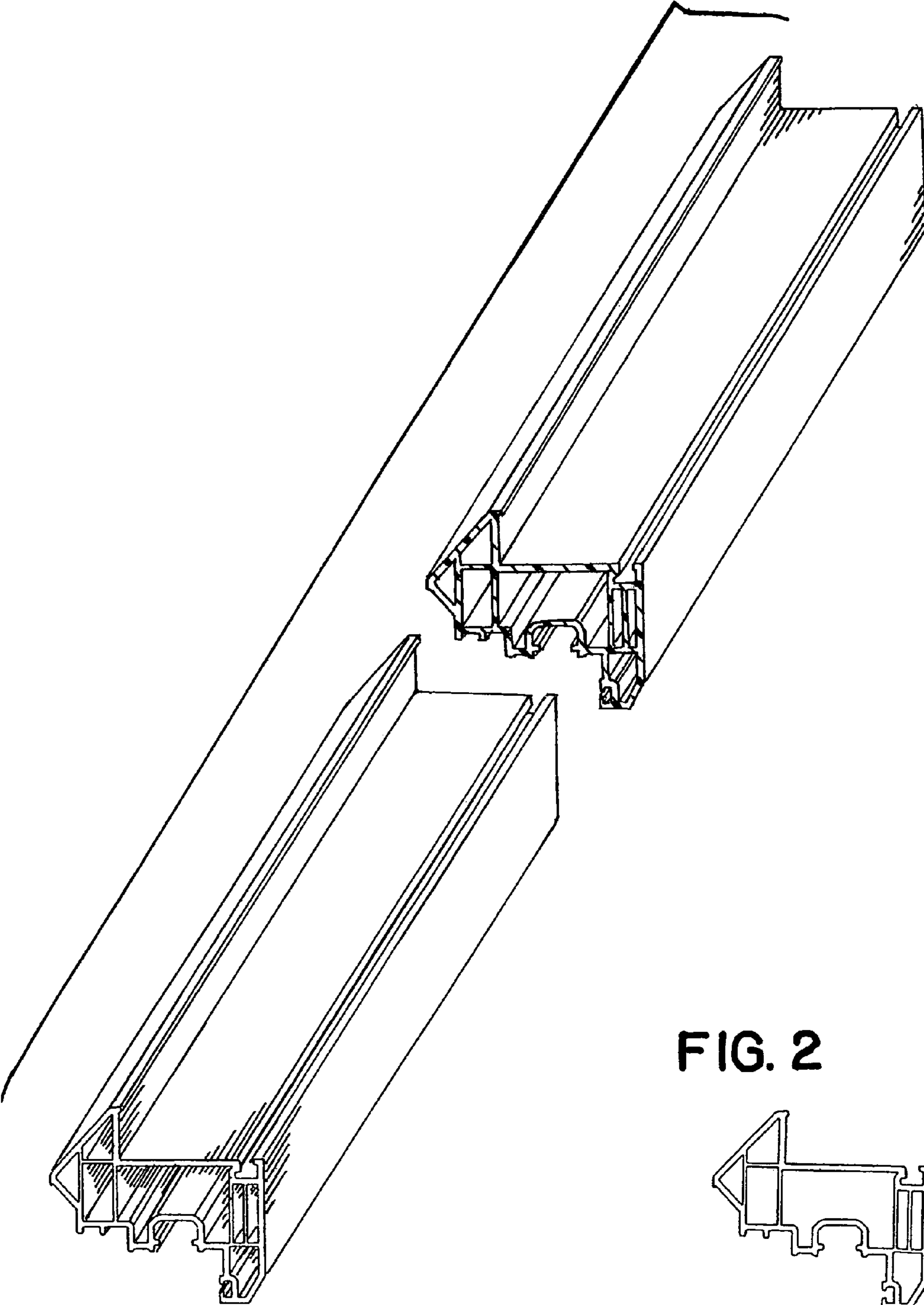
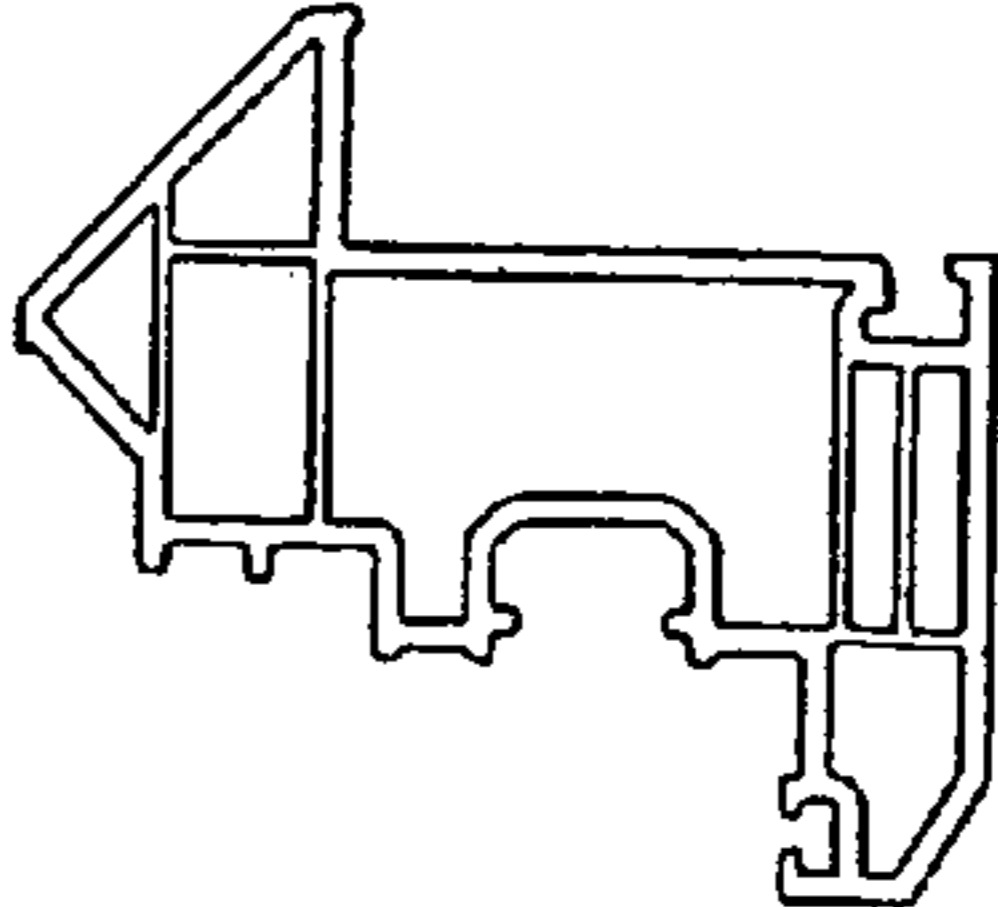


FIG. 2



UNITED STATES PATENT AND TRADEMARK OFFICE  
**CERTIFICATE OF CORRECTION**

PATENT NO. : D679,382 S  
APPLICATION NO. : 29/395644  
DATED : April 2, 2013  
INVENTOR(S) : Philip G. Morton and Sidney M. Weisemann

Page 1 of 1

It is certified that error appears in the above-identified patent and that said Letters Patent is hereby corrected as shown below:

ON THE TITLE PAGE:

Item (54) WINDOW GLAZING BEAD EXTRUSION, delete "GLAZING BEAD" and insert  
--FRAME--

Signed and Sealed this  
Fourth Day of June, 2013



Teresa Stanek Rea  
*Acting Director of the United States Patent and Trademark Office*