



US00D679381S

(12) **United States Design Patent**
Morton et al.

(10) **Patent No.:** **US D679,381 S**

(45) **Date of Patent:** **** Apr. 2, 2013**

(54) **WINDOW FRAME EXTRUSION**

(75) Inventors: **Philip G. Morton**, Germantown, OH
(US); **Sidney M. Wiesemann**, Erlanger,
KY (US)

(73) Assignee: **Deceuninck North America, LLC**,
Monroe, OH (US)

(**) Term: **14 Years**

(21) Appl. No.: **29/395,643**

(22) Filed: **Mar. 5, 2012**

(51) **LOC (9) Cl.** **25-01**

(52) **U.S. Cl.** **D24/124**

(58) **Field of Classification Search** D25/124;
52/204.5, 204.63, 204.705, 656.2, 656.5;
49/DIG. 2, 504

See application file for complete search history.

(56) **References Cited**

U.S. PATENT DOCUMENTS

4,944,118 A * 7/1990 Biro 49/504
5,557,894 A * 9/1996 Card 52/204.5
D382,072 S * 8/1997 Dallaire et al. D25/124

D500,146 S * 12/2004 Franson D25/124
6,857,232 B2 * 2/2005 Bealko 52/211
D504,182 S * 4/2005 Goss D25/124
D557,827 S * 12/2007 Willman D25/124
D590,516 S * 4/2009 Campbell et al. D25/124
D596,763 S * 7/2009 Chappell D25/124
2006/0026913 A1 * 2/2006 Turner 52/204.5

* cited by examiner

Primary Examiner — Doris Clark

(74) *Attorney, Agent, or Firm* — Jacox, Meckstroth &
Jenkins

(57) **CLAIM**

The ornamental design for a window frame extrusion, as
shown and described.

DESCRIPTION

FIG. 1 is a perspective view of a window frame extrusion,
showing our new design, with a middle portion broken away
to disclose indefinite length; and,
FIG. 2 is an end view thereof, the opposite end view being a
mirror image.

1 Claim, 1 Drawing Sheet

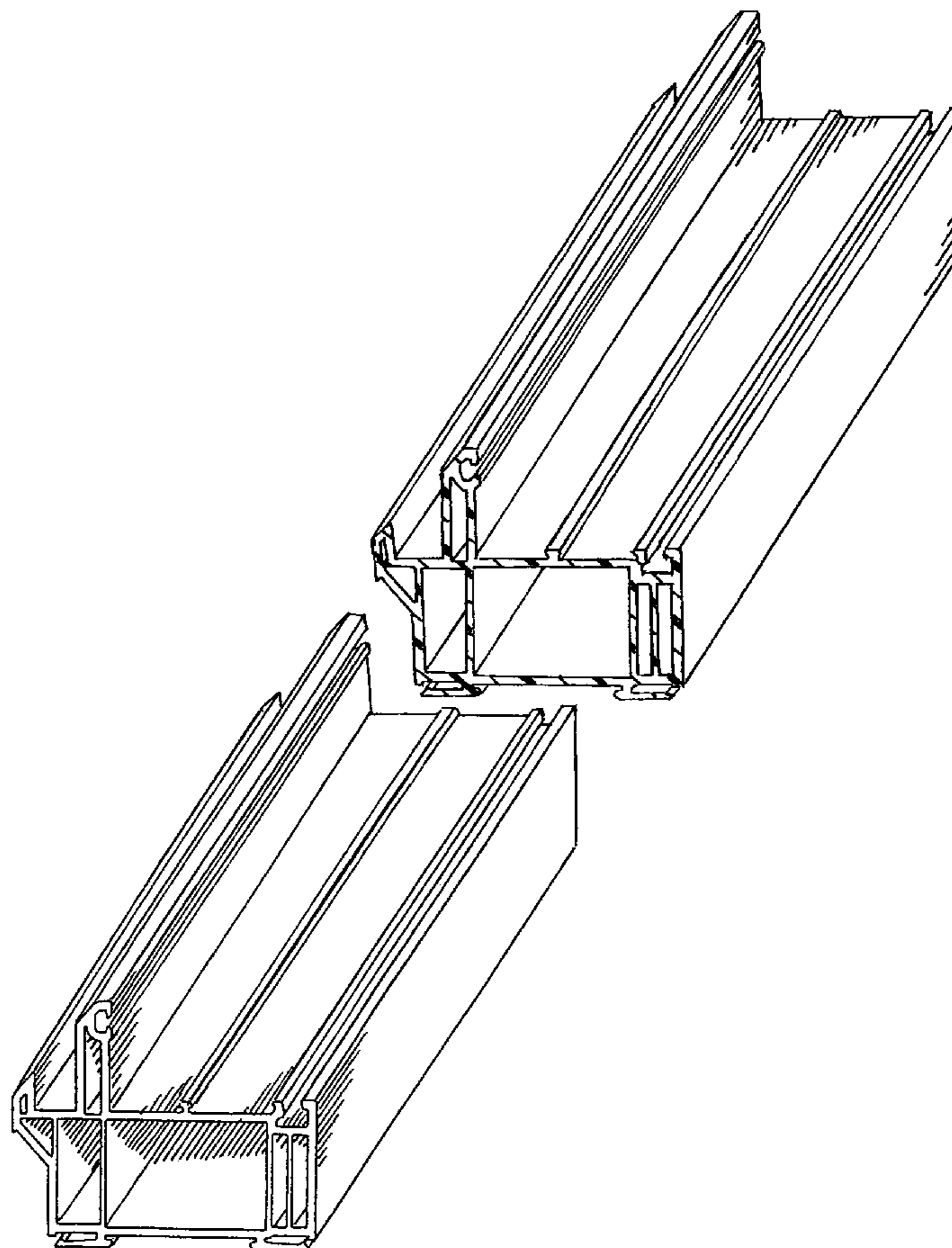


FIG. 1

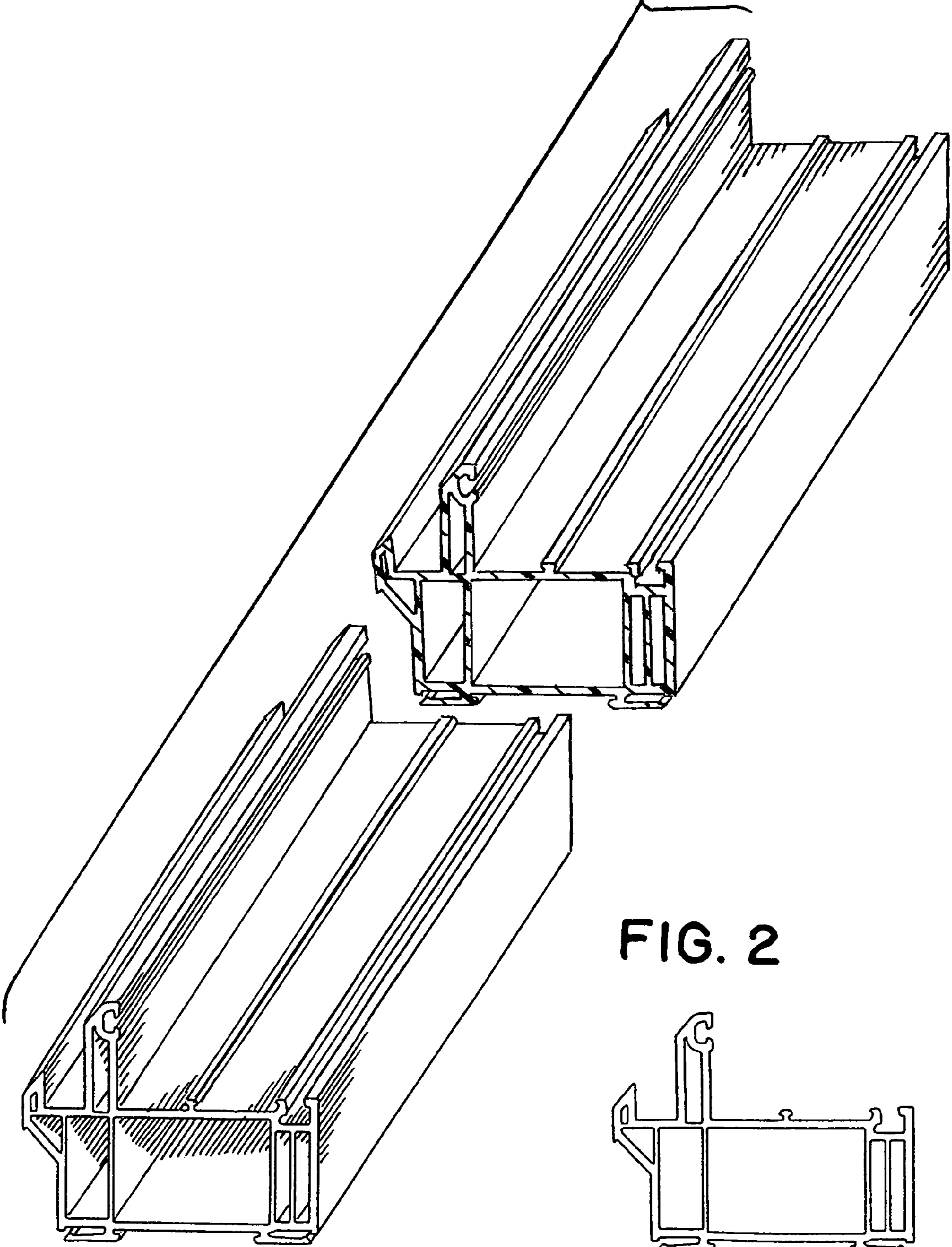


FIG. 2