



US00D679379S

(12) **United States Design Patent**  
**Katsura**

(10) **Patent No.:** **US D679,379 S**  
(45) **Date of Patent:** **\*\* Apr. 2, 2013**

(54) **SYRINGE PUMP**

(75) Inventor: **Hideki Katsura**, Tokyo (JP)  
(73) Assignee: **Terumo Kabushiki Kaisha**, Tokyo (JP)  
(\*\*) Term: **14 Years**  
(21) Appl. No.: **29/403,624**  
(22) Filed: **Oct. 7, 2011**

(30) **Foreign Application Priority Data**

Apr. 11, 2011 (JP) ..... 2011-008266

(51) **LOC (9) Cl.** ..... **24-02**  
(52) **U.S. Cl.** ..... **D24/111**  
(58) **Field of Classification Search** ..... D24/107-108,  
D24/111; D15/7-9; D23/231-232; 128/DIG. 12;  
604/67, 123, 151, 154-155  
See application file for complete search history.

(56) **References Cited**

**U.S. PATENT DOCUMENTS**

D241,883	S	*	10/1976	King	.....	D24/111
D246,258	S	*	11/1977	Ekert	.....	D24/111
D265,243	S	*	6/1982	Manno et al.	.....	D24/111
4,767,406	A	*	8/1988	Wadham et al.	.....	604/155
4,988,337	A	*	1/1991	Ito	.....	604/154
5,034,004	A	*	7/1991	Crankshaw	.....	604/154
D325,255	S	*	4/1992	Busche et al.	.....	D24/111
D326,152	S	*	5/1992	Rutter	.....	D24/111
D327,123	S	*	6/1992	Stracener et al.	.....	D24/111
5,295,967	A	*	3/1994	Rondelet et al.	.....	604/154
D360,259	S	*	7/1995	Ijiri et al.	.....	D24/111
2006/0167414	A1	*	7/2006	Scott et al.	.....	604/152
2011/0184383	A1	*	7/2011	Hasegawa	.....	604/151

**FOREIGN PATENT DOCUMENTS**

JP	993831	S	10/1997
JP	D1251941	*	9/2005
JP	1346516	S	12/2008

**OTHER PUBLICATIONS**

“Syringe Pump” of Shenzhen Shenke Medical Instrument Technical Development Co., Ltd., shown on the first page of the website <http://www.easybizchina.com>, accessed Jul. 13, 2012 (2 pages).  
“Micro Syringe Pump” of Shenzhen Shenke Medical Instrument Technical Development Co., Ltd., shown on the first page of the website <http://www.easybizchina.com>, accessed Jul. 13, 2012 (2 pages).  
“Syringe Pump” of Shenzhen Shenke Medical Instrument Technical Development Co., Ltd., shown on the second page of the website <http://www.easybizchina.com>, accessed Jul. 13, 2012 (2 pages).  
“SK-500II Syringe Pump” of Shenzhen Shenke Medical Instrument Technical Development Co., Ltd., shown on the second page of the website <http://www.easybizchina.com>, accessed Jul. 13, 2012 (2 pages).

\* cited by examiner

*Primary Examiner* — Wan Laymon

(74) *Attorney, Agent, or Firm* — Fitch Even Tabin & Flannery, LLP

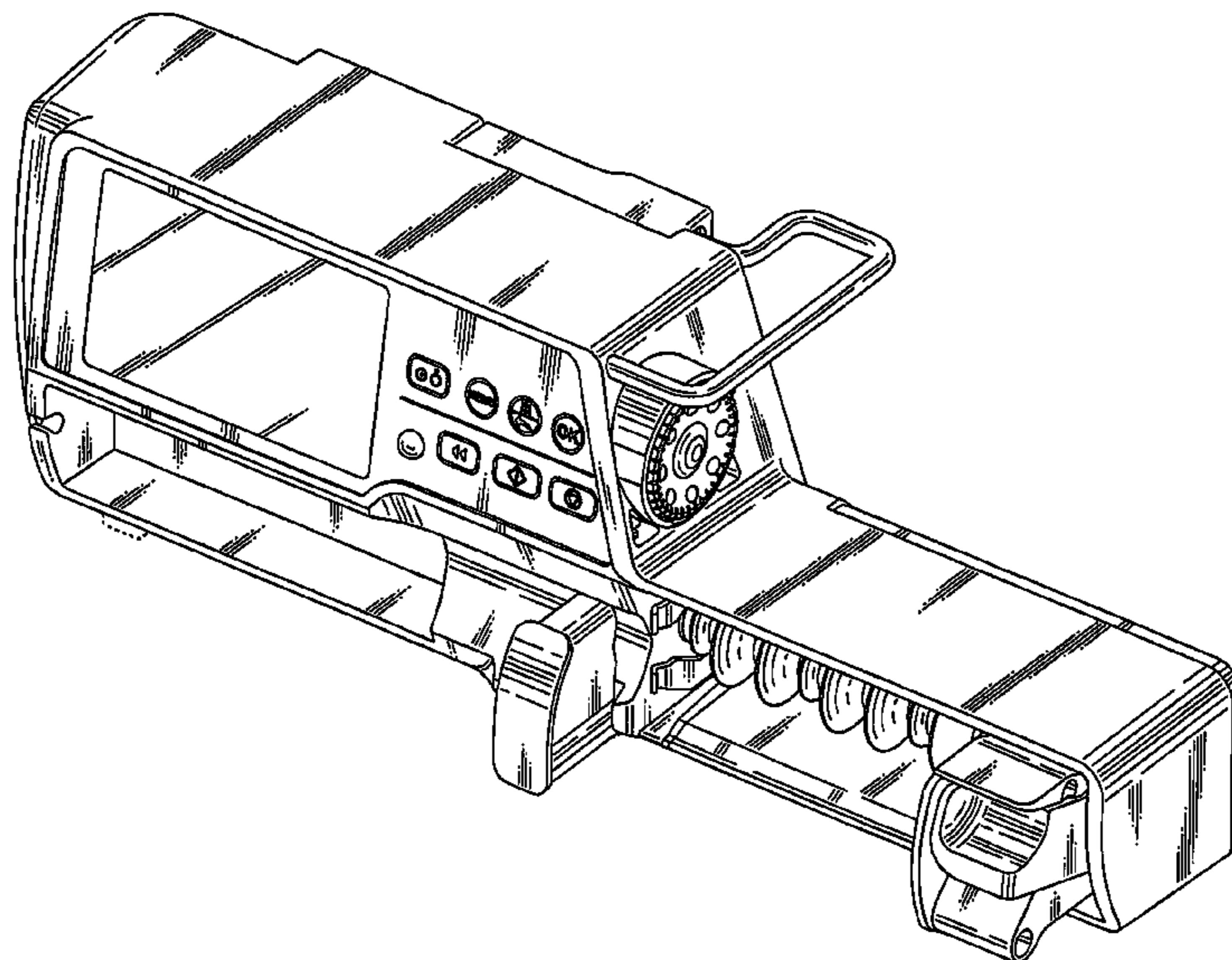
(57) **CLAIM**

I claim the ornamental design for a syringe pump, as shown and described.

**DESCRIPTION**

FIG. 1 is a front, top and right side perspective view of a syringe pump, showing my new design;  
FIG. 2 is a front, top and left side perspective view thereof;  
FIG. 3 is a front elevational view thereof;  
FIG. 4 is a rear elevational view thereof;  
FIG. 5 is a top plan view thereof;  
FIG. 6 is a bottom plan view thereof;  
FIG. 7 is a left side elevational view thereof; and,  
FIG. 8 is a right side elevational view thereof.  
Portions of the claimed design shown in broken lines form no part of the claimed design.

**1 Claim, 7 Drawing Sheets**



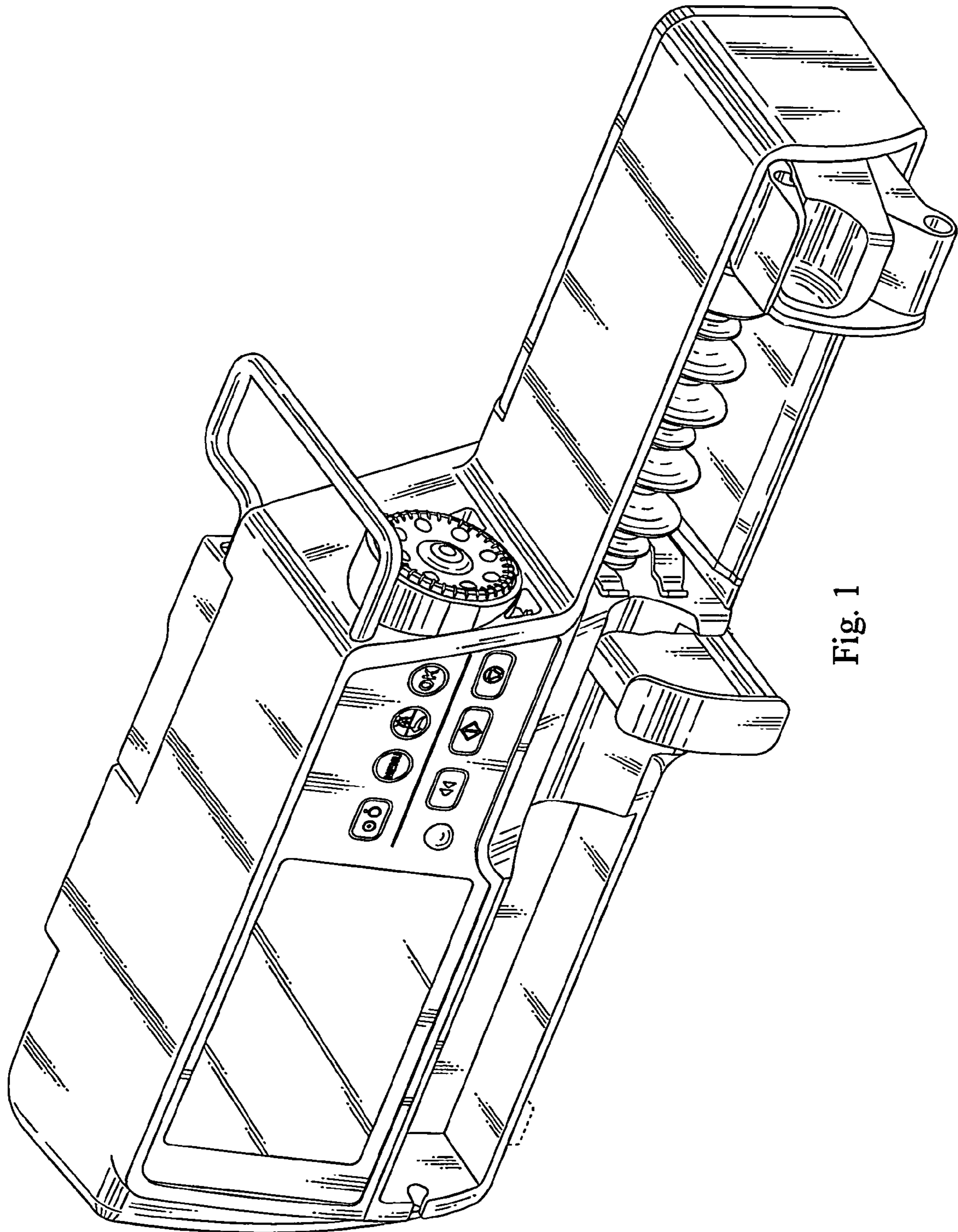


Fig. 1



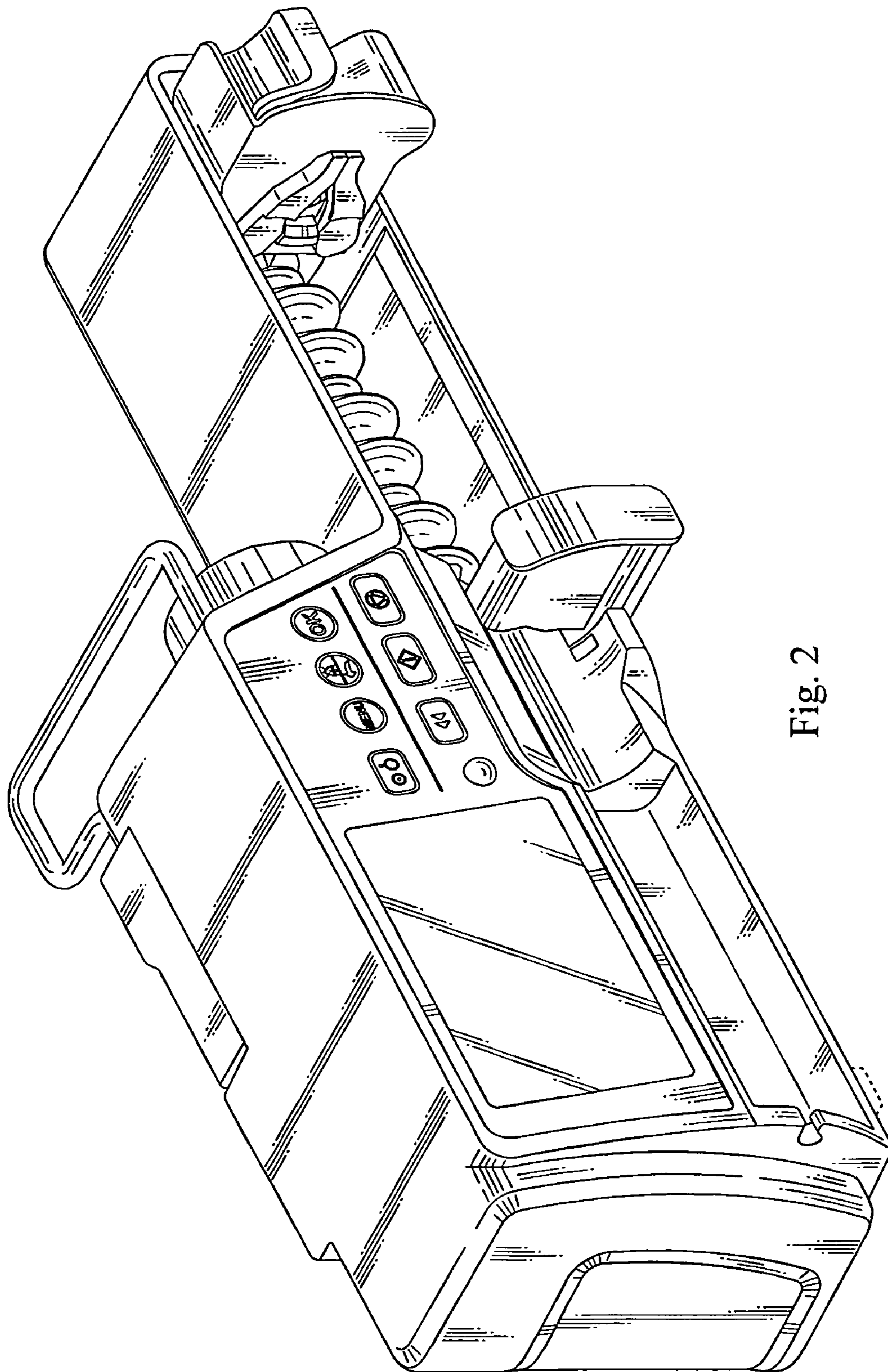


Fig. 2

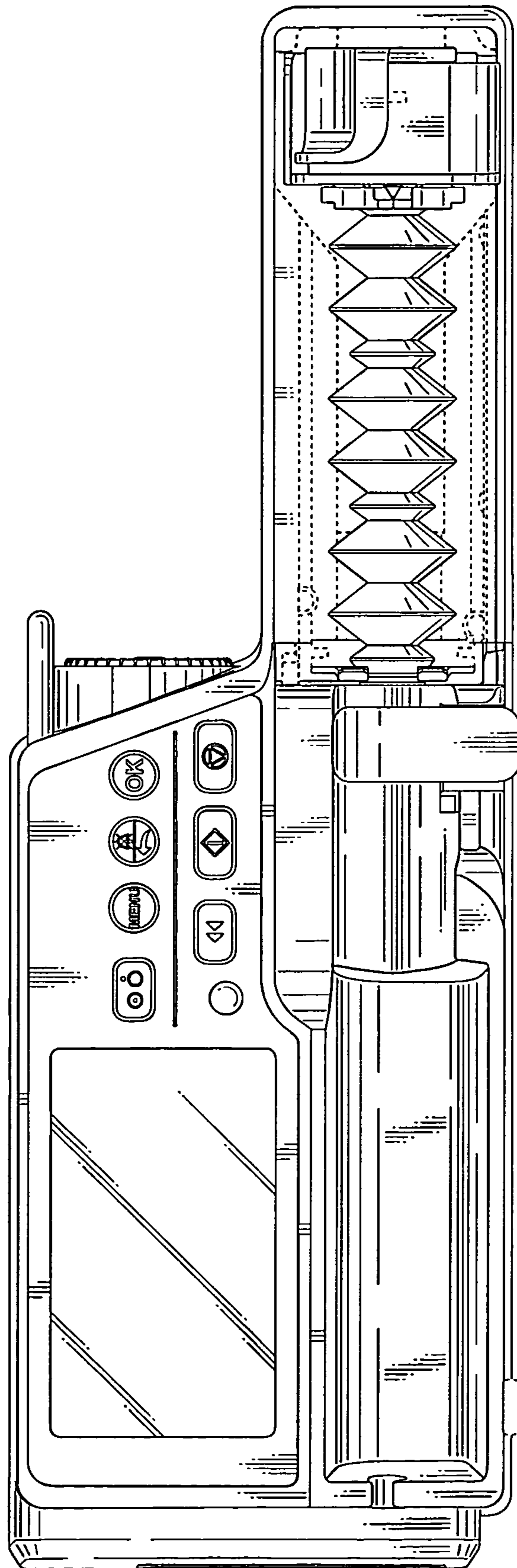


Fig. 3

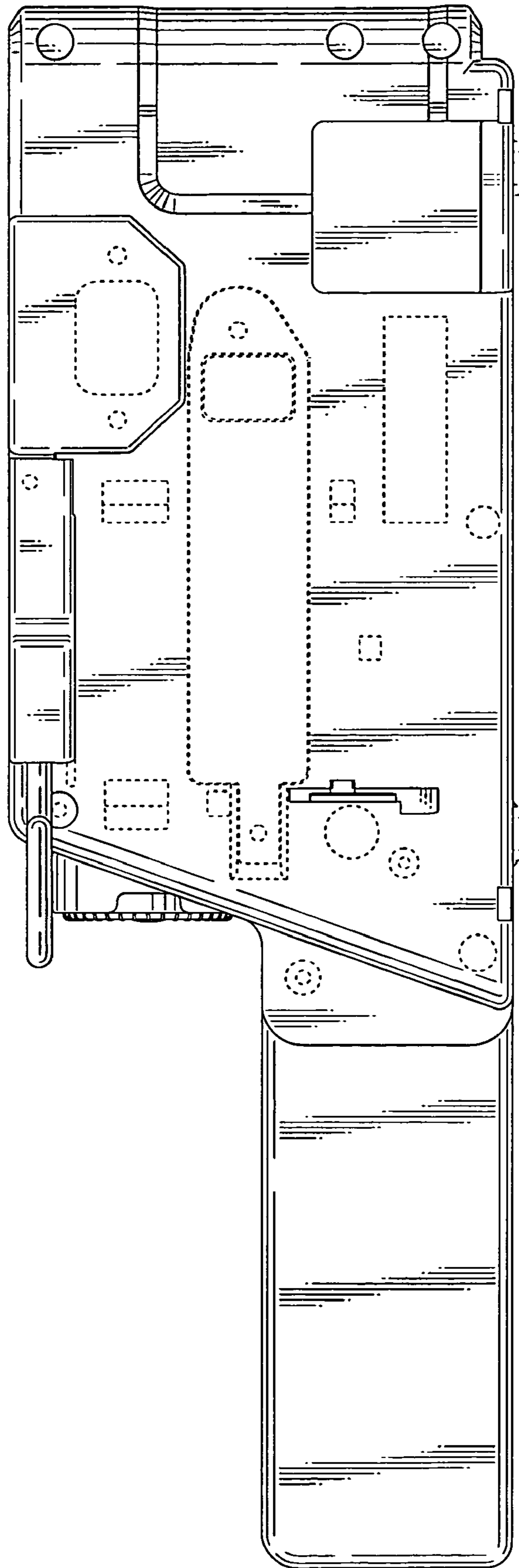


Fig. 4

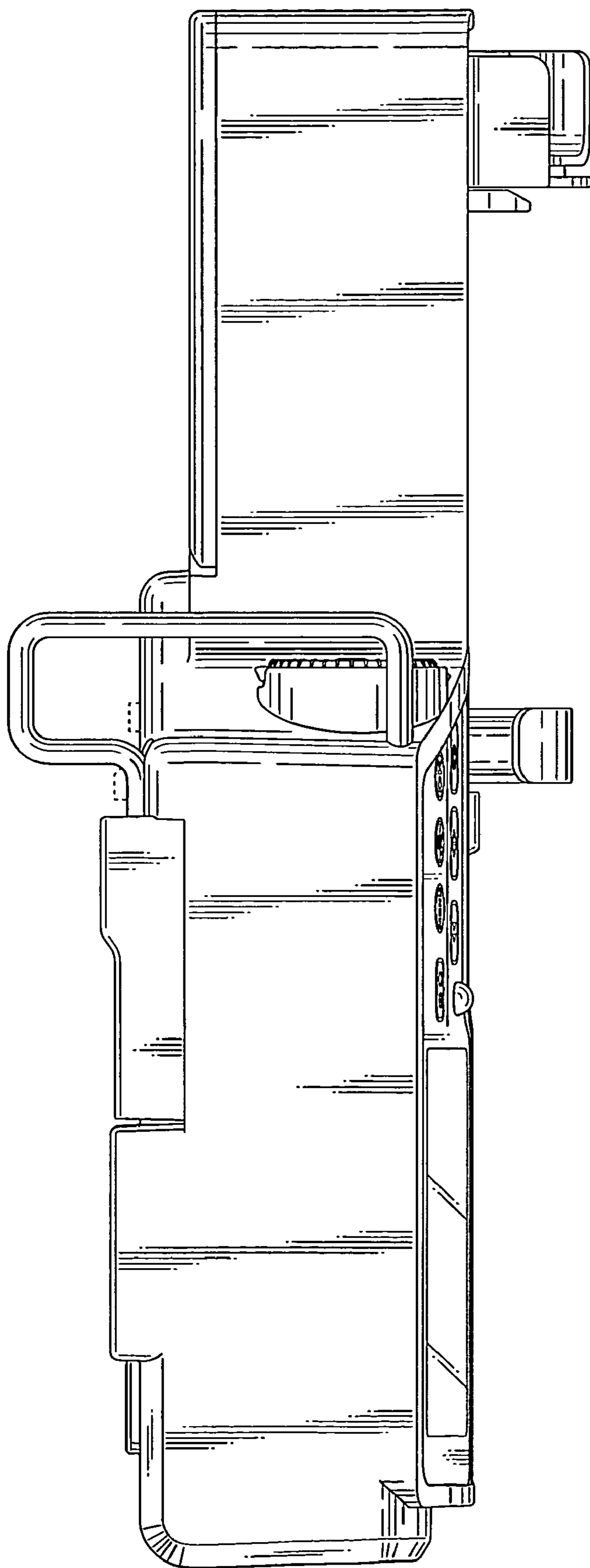


Fig. 5

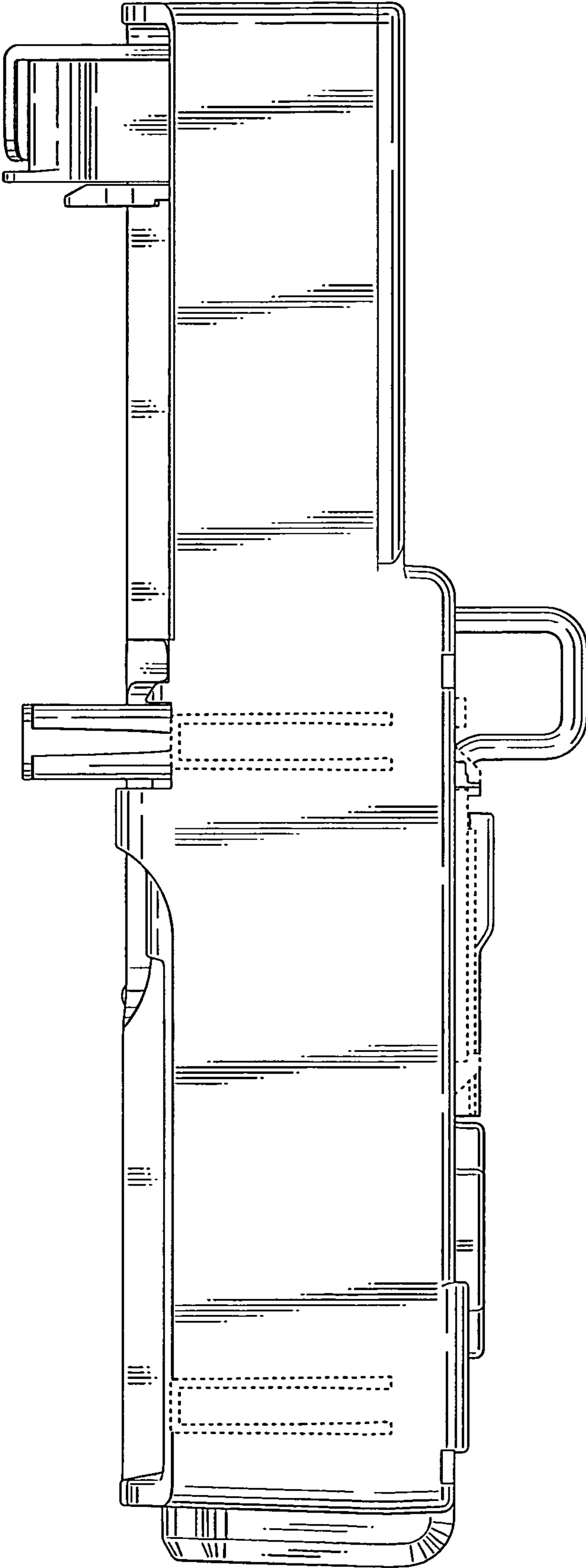


Fig. 6

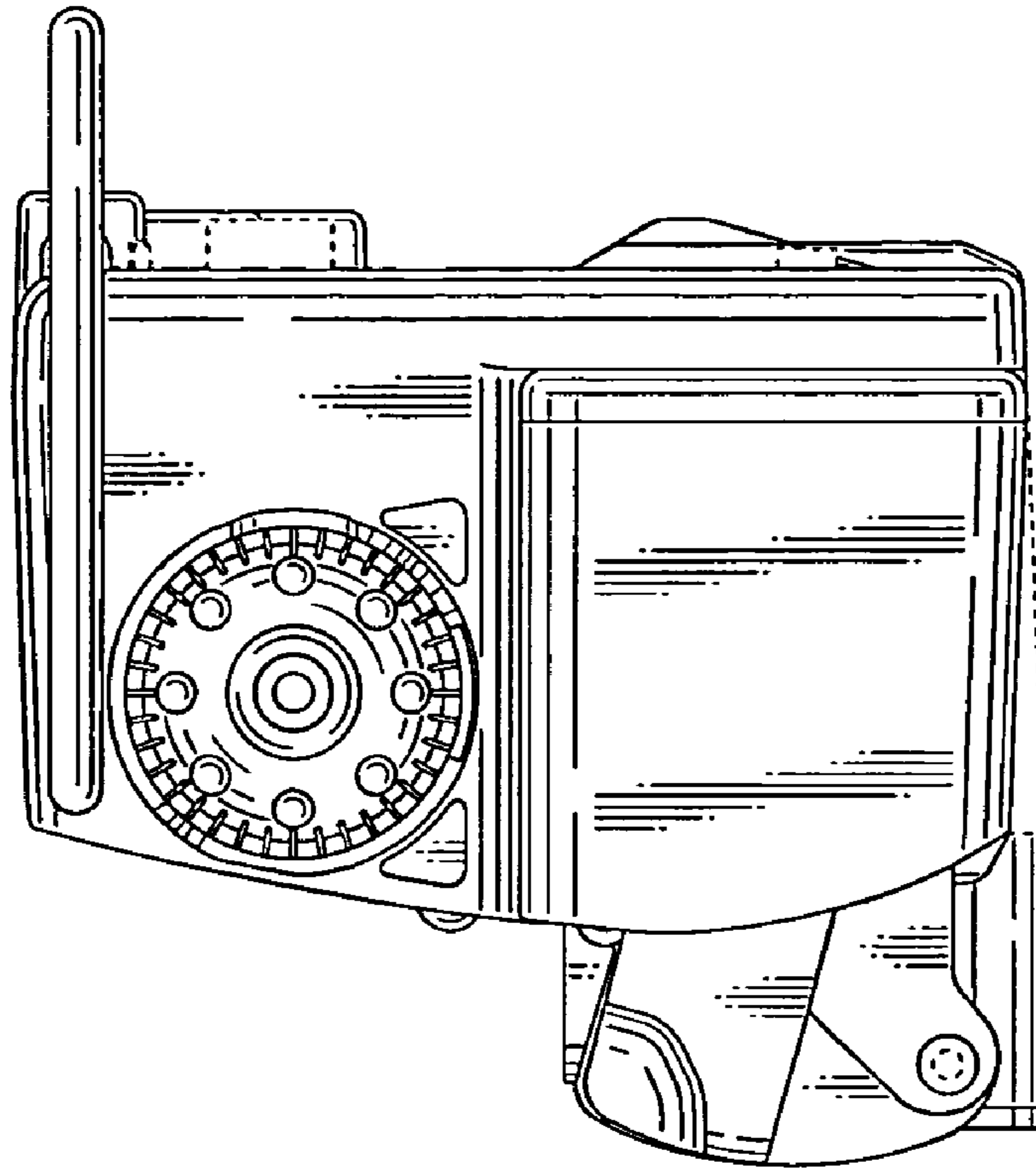


Fig. 8

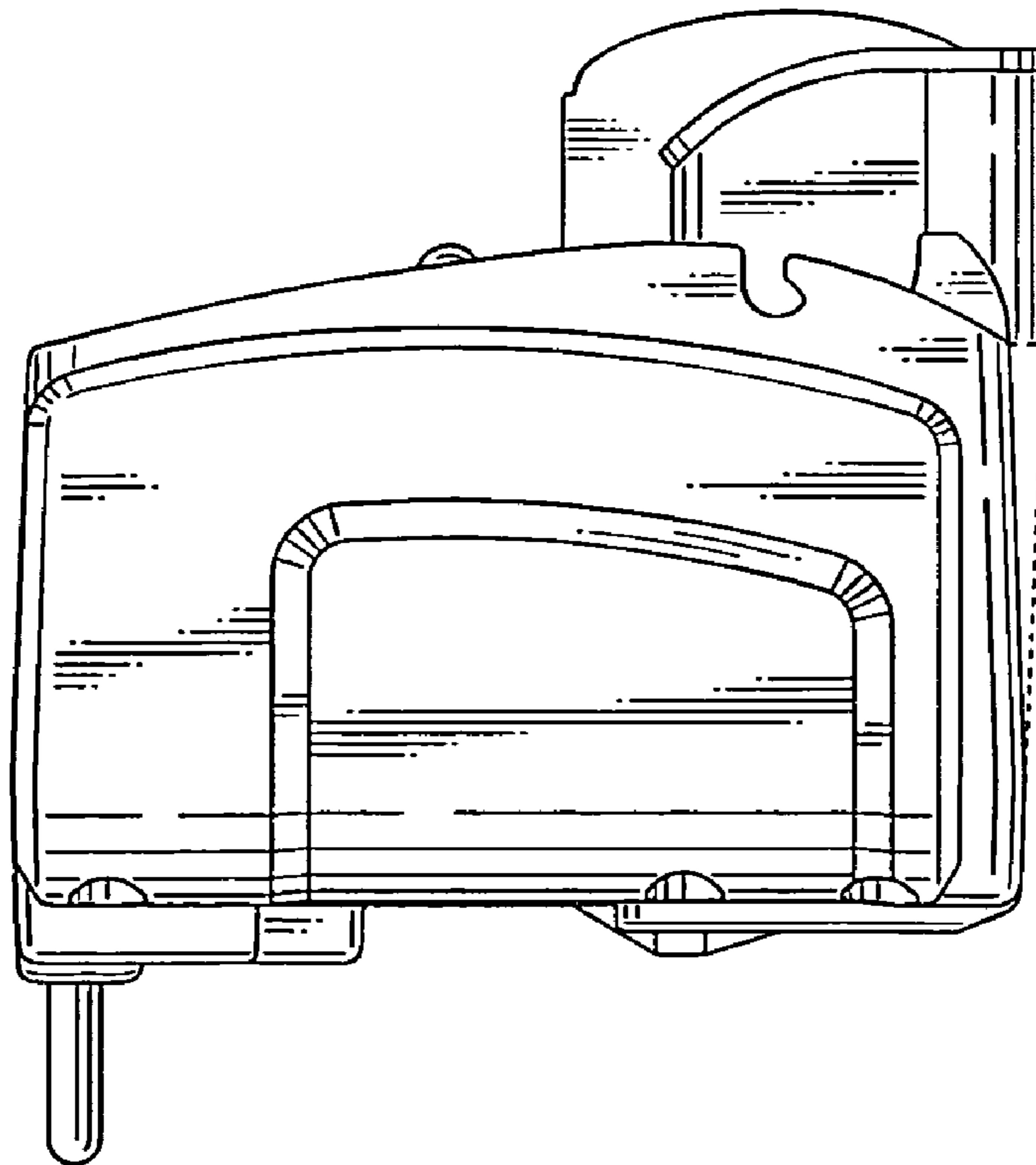


Fig. 7