



US00D679377S

(12) **United States Design Patent**
von Hollen et al.

(10) **Patent No.:** **US D679,377 S**

(45) **Date of Patent:** **** Apr. 2, 2013**

(54) **FACE MASK**

(75) Inventors: **Dirk Ernest von Hollen**, Clark, NJ (US); **Eric Andrew Lieberman**, Scotch Plains, NJ (US); **William E. Parr**, Ledgewood, NJ (US); **Donald Fraser van Royen**, New York, NY (US)

(73) Assignee: **Koninklijke Philips Electronics N.V.**, Eindhoven (NL)

(**) Term: **14 Years**

(21) Appl. No.: **29/403,876**

(22) Filed: **Oct. 12, 2011**

(30) **Foreign Application Priority Data**

Apr. 13, 2011 (EM) 001850421-0002

(51) **LOC (9) Cl.** **29-02**

(52) **U.S. Cl.** **D24/110.4; D24/110.1; D24/110.5**

(58) **Field of Classification Search** D24/107,
D24/108, 110, 110.1, 110.4, 110.5; 128/201.21,
128/201.23-201.26

See application file for complete search history.

(56) **References Cited**

U.S. PATENT DOCUMENTS

D321,419	S	*	11/1991	Wallace	D24/110.4
D434,141	S	*	11/2000	Randeberg et al.	D24/110.4
D499,803	S	*	12/2004	Chang	D24/110.4
D582,031	S	*	12/2008	Sorensen et al.	D24/110.4
D598,537	S	*	8/2009	Nashed	D24/110.1
D615,643	S	*	5/2010	Nashed	D24/110.1
D625,405	S	*	10/2010	Nashed	D24/110.1
D658,284	S	*	4/2012	Nashed	D24/110.1
2003/0172932	A1	*	9/2003	Matioc	128/206.24

* cited by examiner

Primary Examiner — Ian Simmons
Assistant Examiner — Eleni H Aldridge

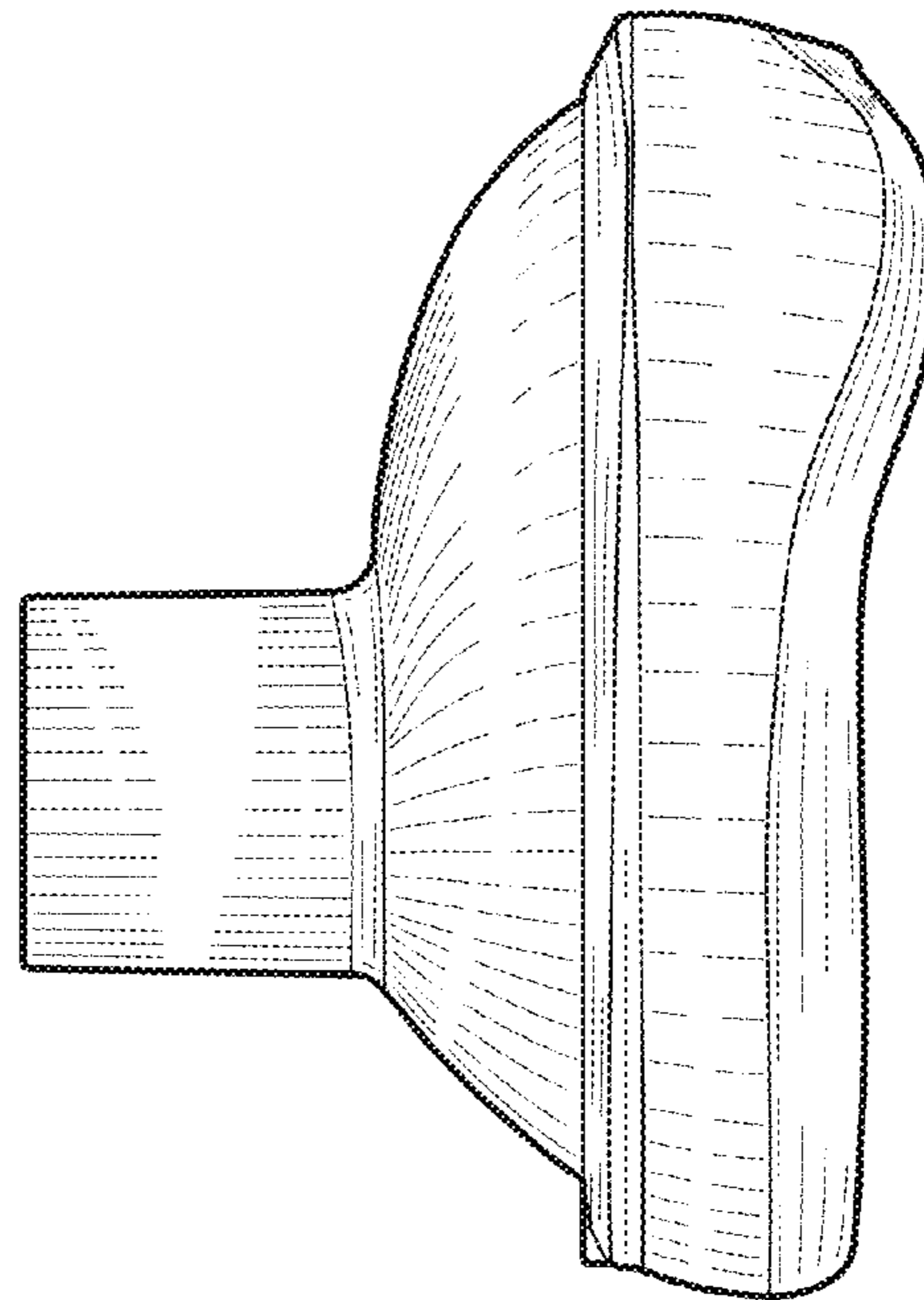
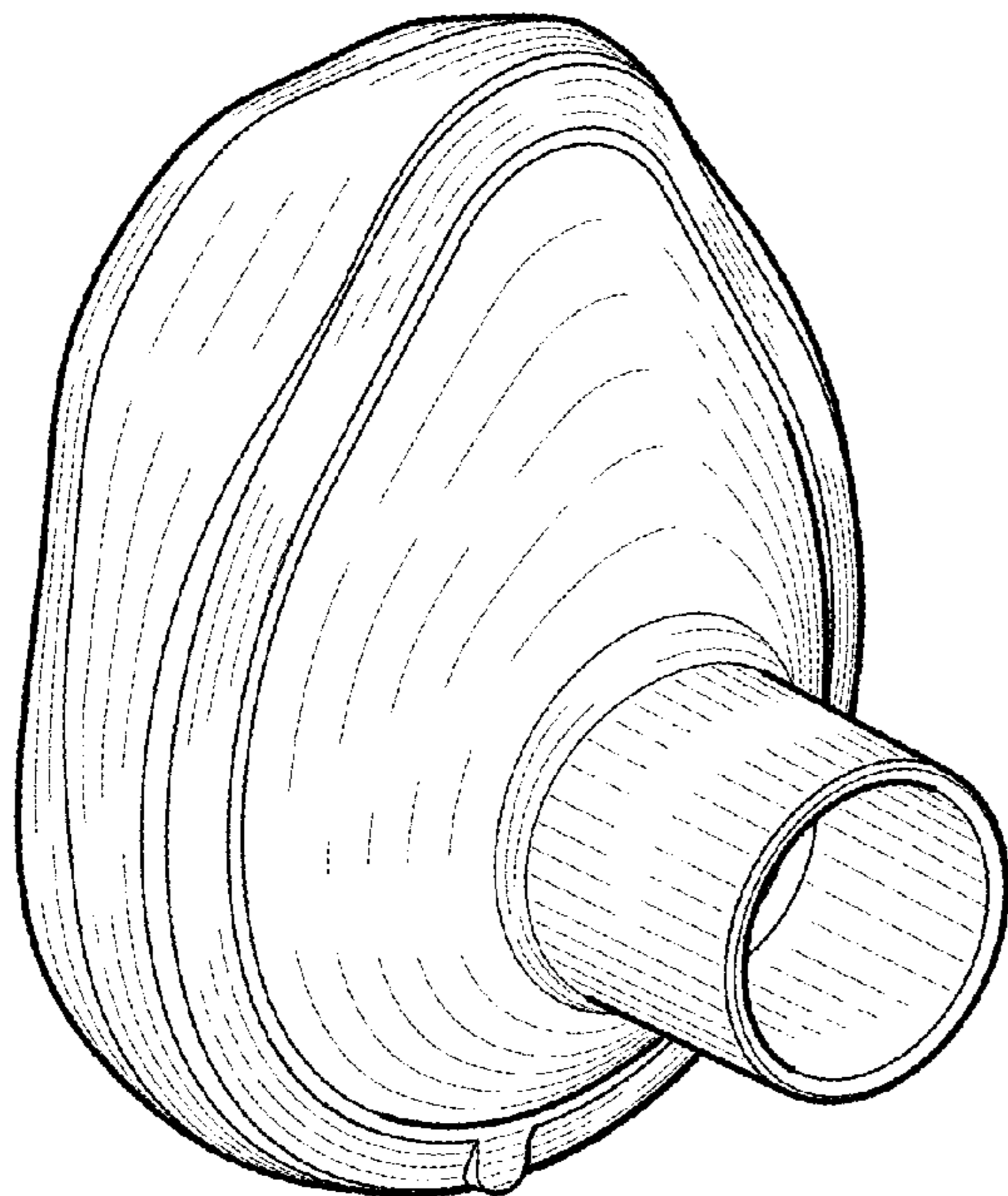
(57) **CLAIM**

The ornamental design for a face mask, as shown.

DESCRIPTION

FIG. 1 is a perspective view showing my design;
FIG. 2 is a front elevational view thereof;
FIG. 3 is a rear elevational view thereof;
FIG. 4 is a right side elevational view thereof;
FIG. 5 is a left side elevational view thereof;
FIG. 6 is a top plan view thereof; and,
FIG. 7 is a bottom plan view thereof.

1 Claim, 4 Drawing Sheets



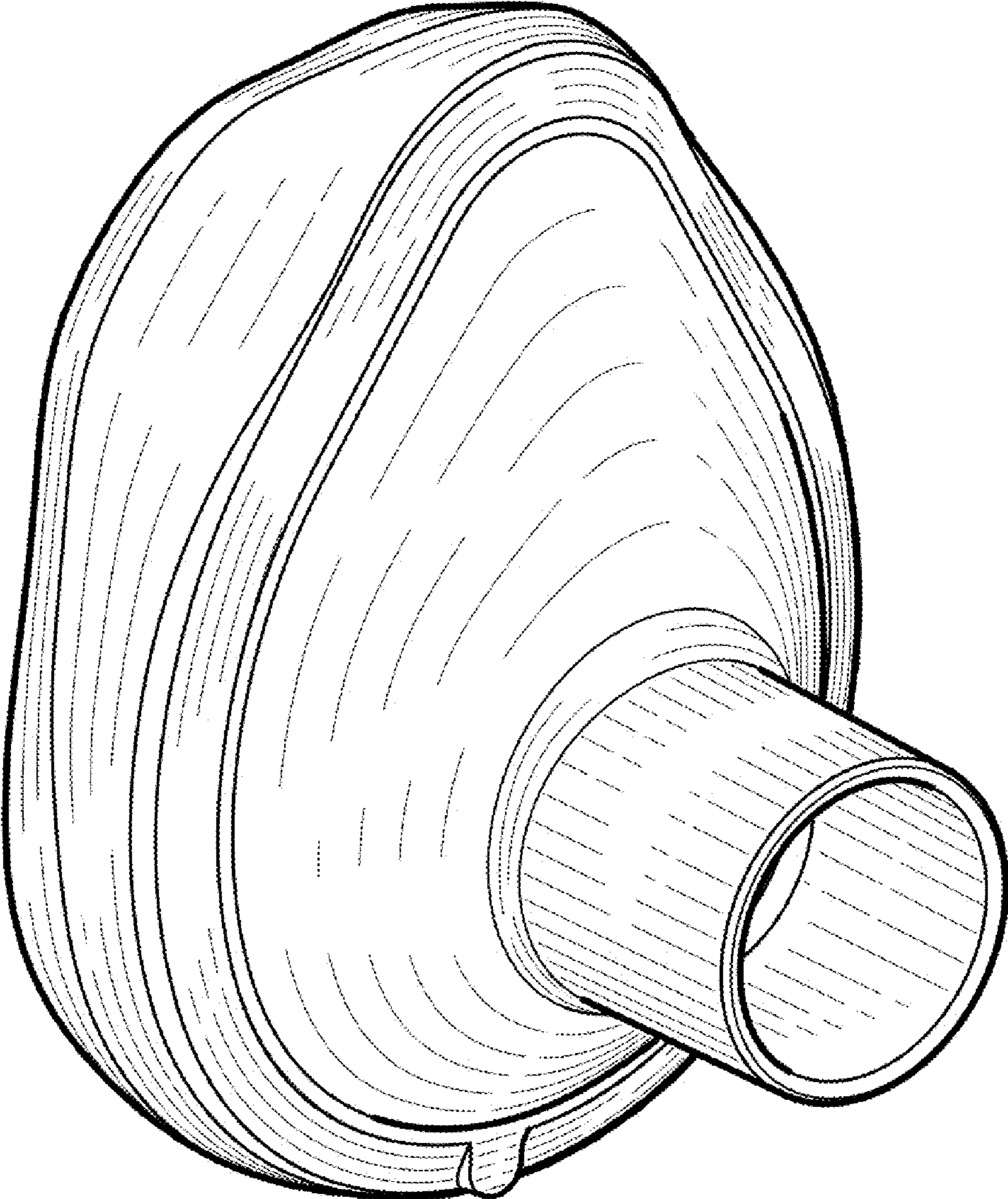


FIG. 1

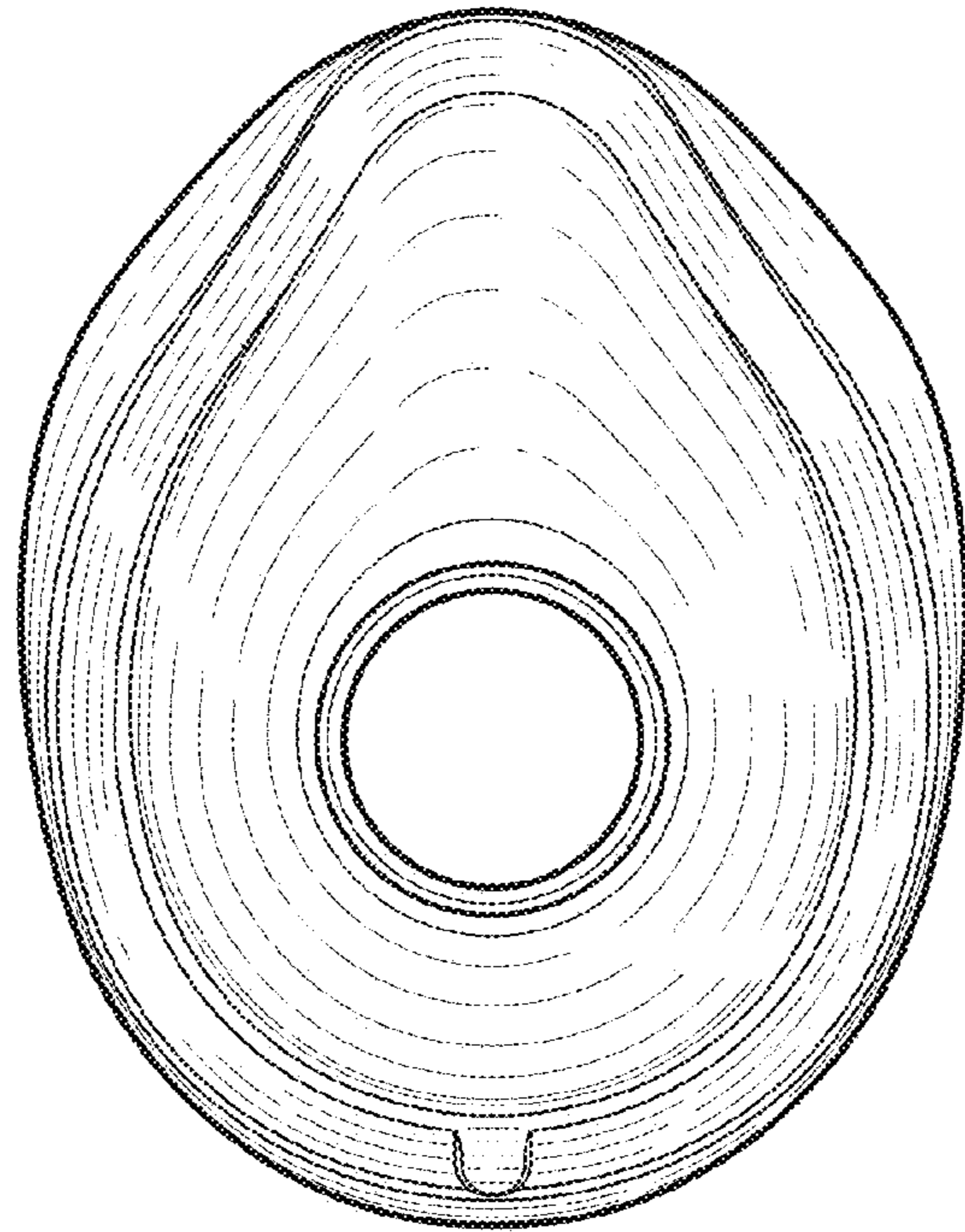


FIG. 2

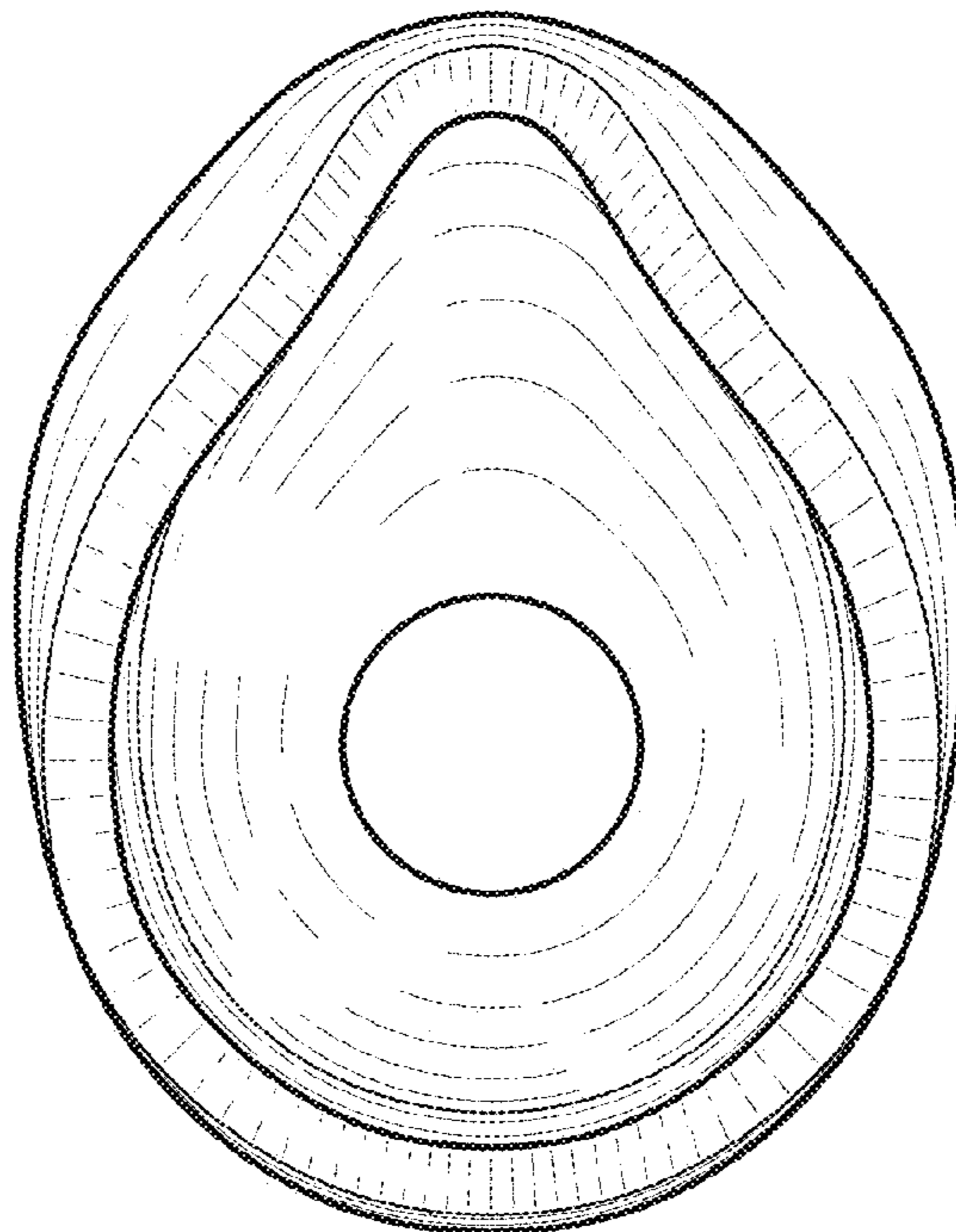


FIG. 3

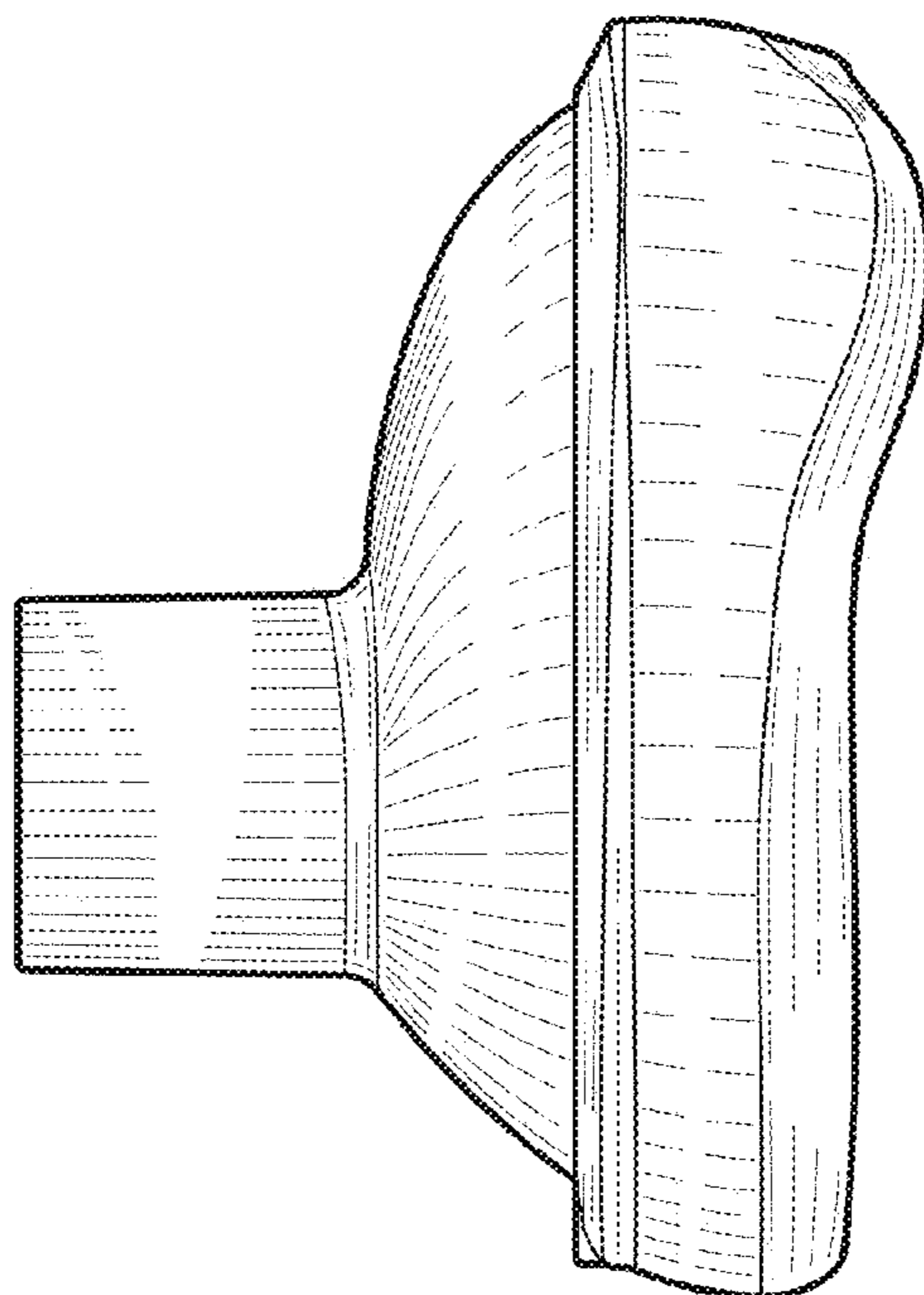


FIG. 4

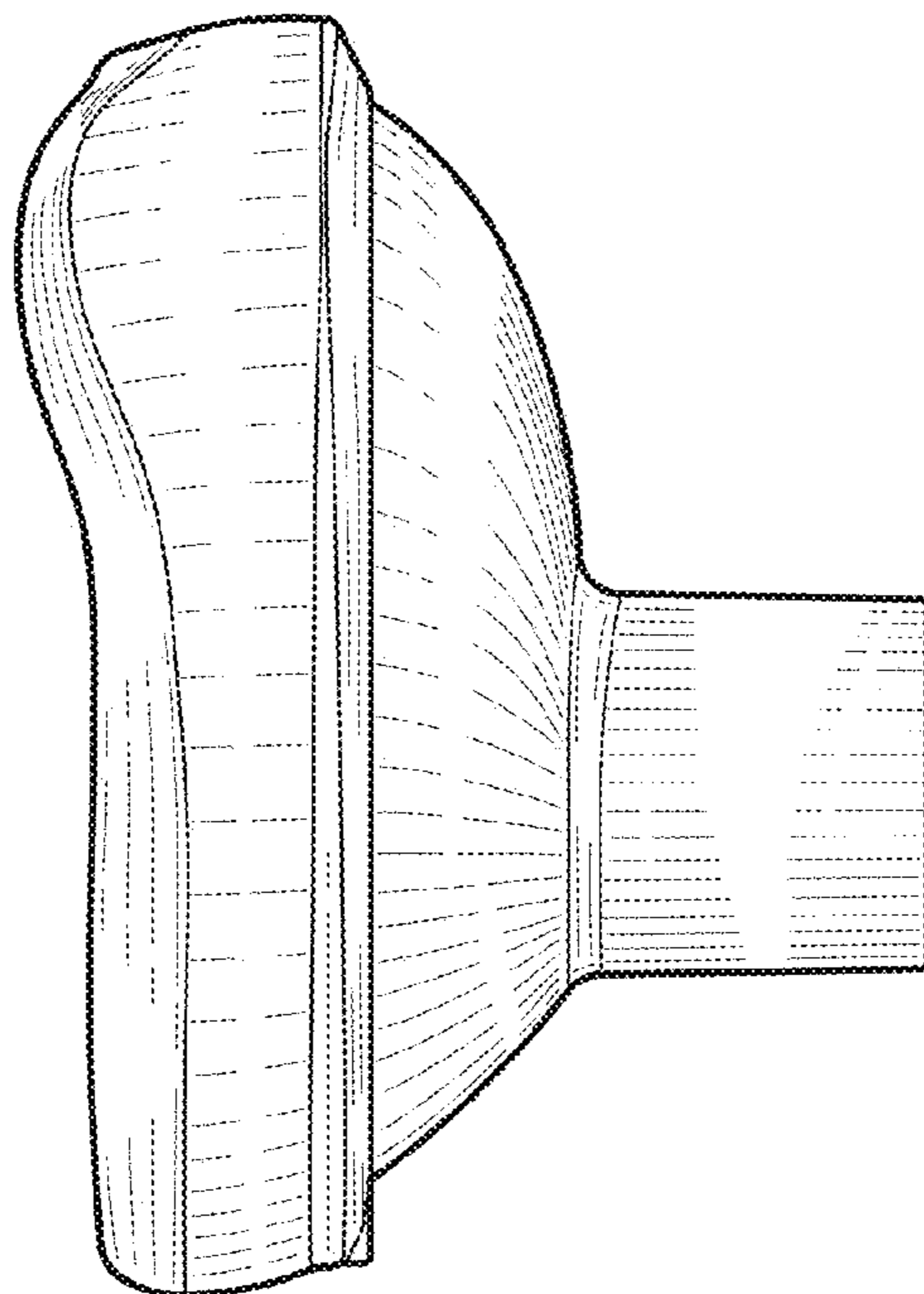


FIG. 5

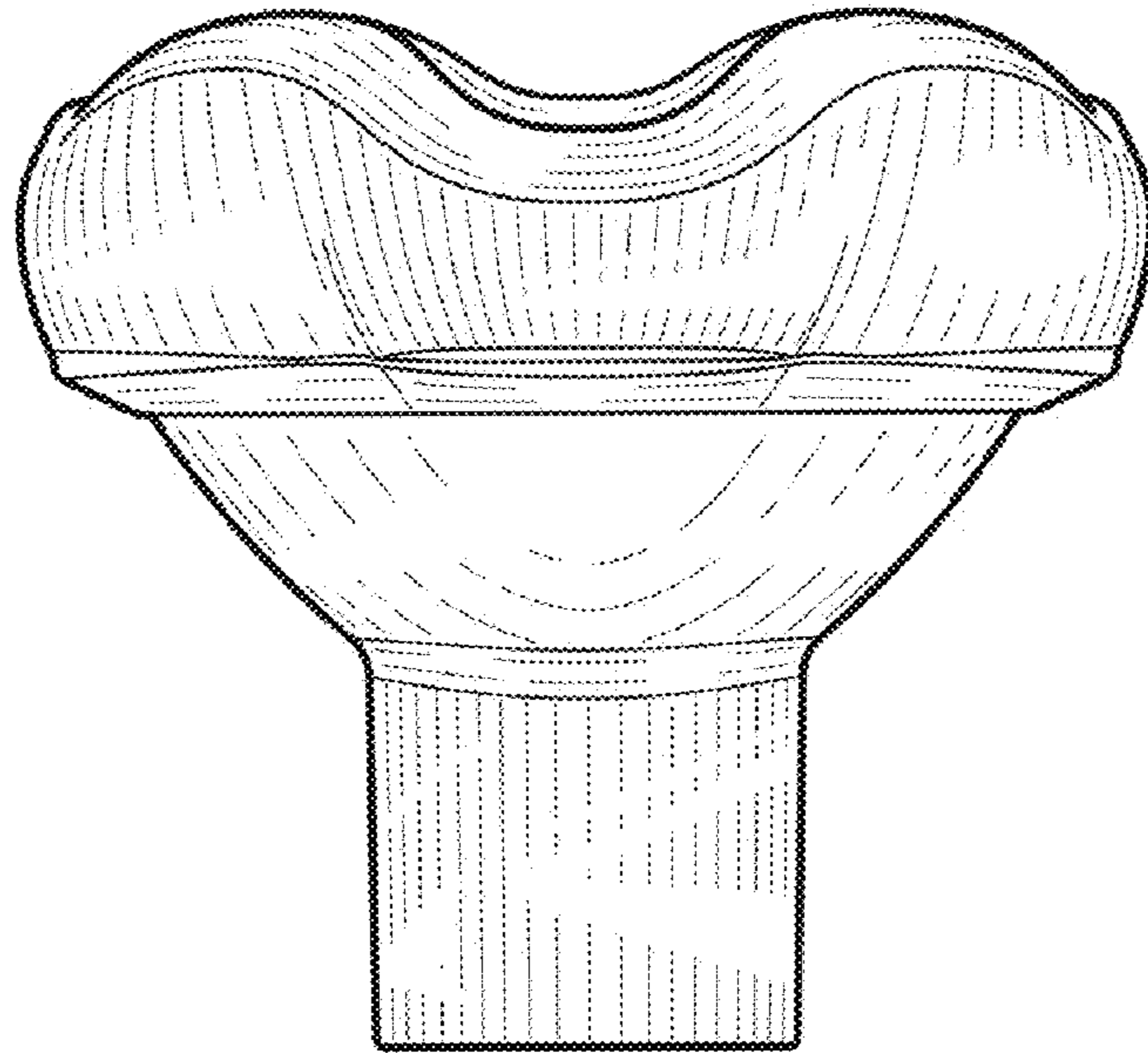


FIG. 6

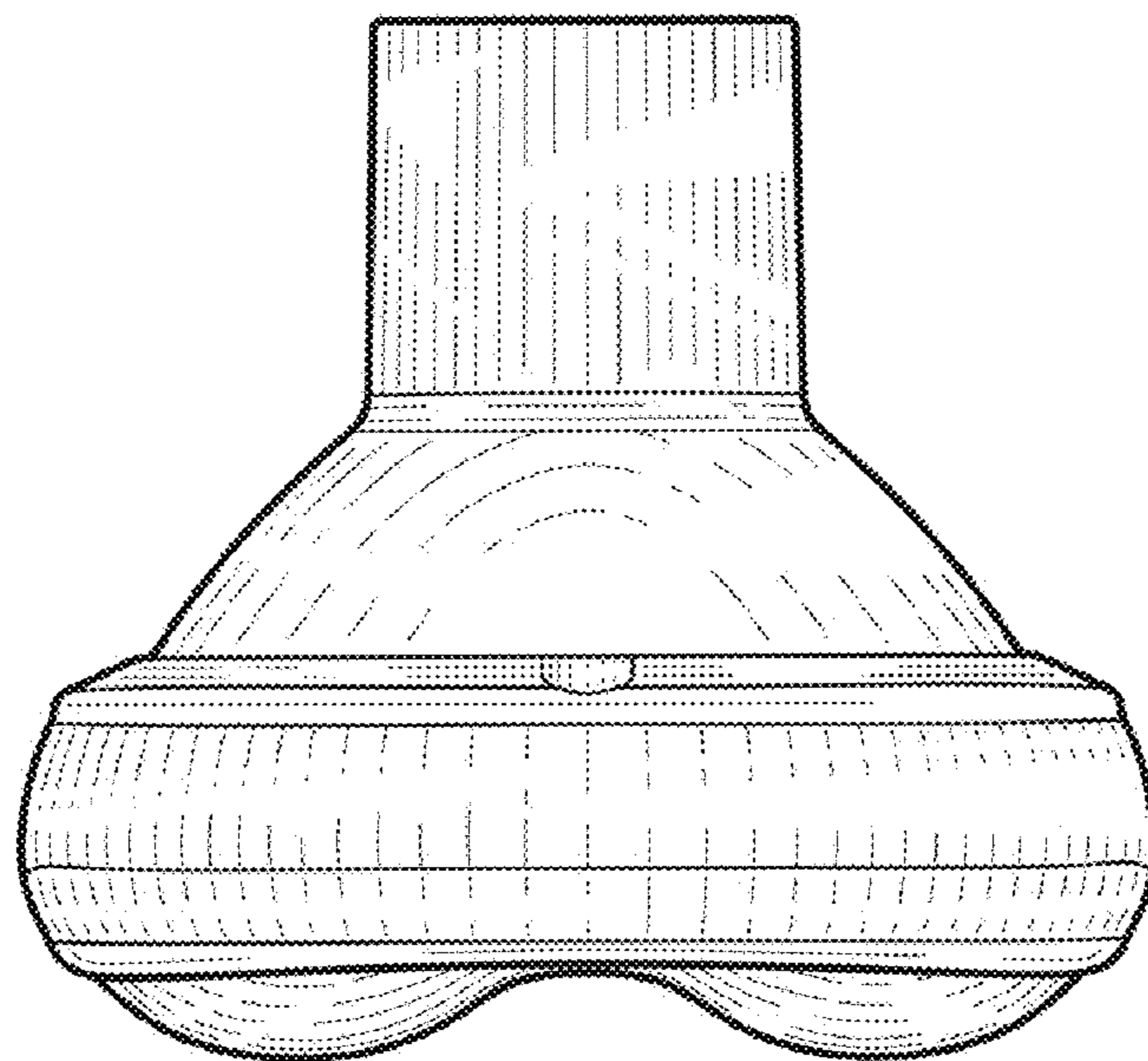


FIG. 7