



US00D679375S

(12) **United States Design Patent**  
**Kenyon**

(10) **Patent No.:** **US D679,375 S**  
(45) **Date of Patent:** **\*\* Apr. 2, 2013**

- (54) **FLEXIBLE MOTOR SLEEVE**
- (75) Inventor: **Barton John Kenyon**, Ashfield (AU)
- (73) Assignee: **ResMed Motor Technologies Inc**,  
Chatsworth, CA (US)
- (\*\*) Term: **14 Years**
- (21) Appl. No.: **29/371,672**
- (22) Filed: **Jun. 29, 2011**

7,866,944	B2 *	1/2011	Kenyon et al.	.....	415/199.2
7,975,688	B1 *	7/2011	Truitt	.....	128/200.24
8,129,872	B2 *	3/2012	Hoffman et al.	.....	417/423.7
8,272,837	B2 *	9/2012	Kenyon et al.	.....	415/119
2003/0168064	A1	9/2003	Daly et al.		
2004/0071552	A1	4/2004	Truitt et al.		
2005/0247314	A1	11/2005	Virr et al.		
2006/0138878	A1	6/2006	Hoffman et al.		
2007/0125386	A1	6/2007	Quinn		
2007/0134085	A1	6/2007	Daly et al.		
2009/0116958	A1	5/2009	Wiggins		
2009/0136341	A1	5/2009	Kenyon		
2009/0301485	A1	12/2009	Kenyon et al.		
2010/0132711	A1	6/2010	Kenyon		
2012/0199129	A1 *	8/2012	Kenyon et al.	.....	128/204.18

**Related U.S. Application Data**

- (60) Division of application No. 29/311,306, filed on Feb. 13, 2009, now Pat. No. Des. 642,676, which is a division of application No. 29/274,505, filed on Apr. 27, 2007, now Pat. No. Des. 589,137, which is a continuation-in-part of application No. PCT/AU2006/001616, filed on Oct. 27, 2006.
- (51) **LOC (9) Cl.** ..... **29-02**
- (52) **U.S. Cl.** ..... **D24/110**
- (58) **Field of Classification Search** ..... D24/110,  
D24/164; 128/200.24, 203.12, 204.23, 204.21,  
128/204.25, 204.16–204.18, 207.12; 415/119;  
417/360, 423.1, 423.7, 423.14  
See application file for complete search history.

**FOREIGN PATENT DOCUMENTS**

EP	0295455	12/1988
WO	WO 99/00601	1/1999
WO	WO 00/38771	7/2000
WO	WO 2004/112873	12/2004
WO	WO 2007/048206	5/2007

**OTHER PUBLICATIONS**

U.S. Appl. No. 29/274 506, filed Apr. 27, 2007.  
 U.S. Appl. No. 29/274 507, filed Apr. 27, 2007.  
 U.S. Appl. No. 29/274 504, filed Apr. 27, 2007.  
 International Search Report, Appln. No. PCT/AU2006/001616, Jan. 5, 2007.

\* cited by examiner

*Primary Examiner* — Wan Laymon

(74) *Attorney, Agent, or Firm* — Nixon & Vanderhye P.C.

(57) **CLAIM**

The ornamental design for a flexible motor sleeve, as shown and described.

**DESCRIPTION**

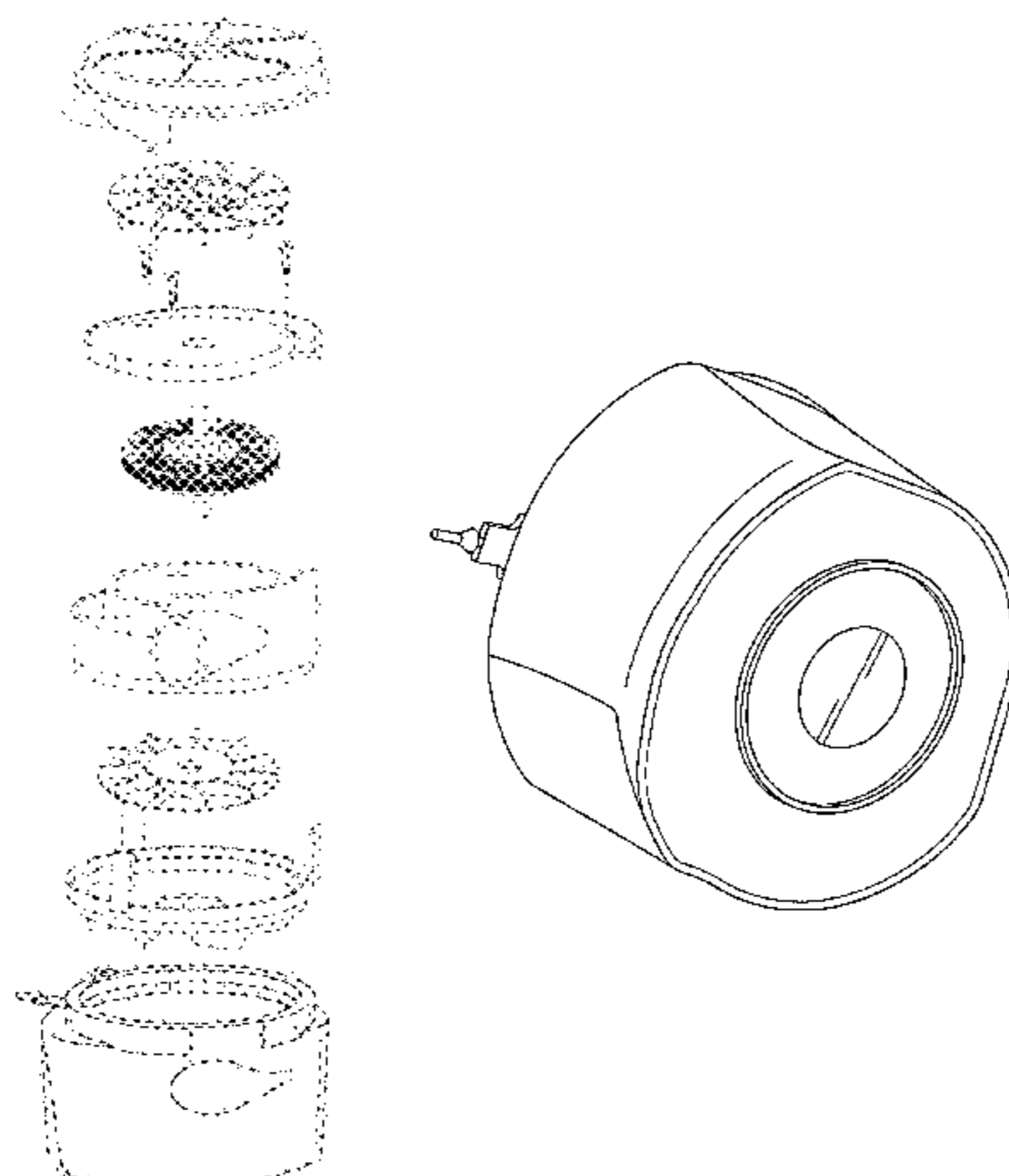
FIG. 1 is a perspective view of a flexible motor sleeve according to an embodiment of my design, with environmental exploded components shown in broken lines; FIG. 2 is a bottom perspective view thereof; and, FIG. 3 is a front perspective view thereof. Where included, broken lines showing environment or structure are for illustrative purposes only and form no part of the claimed design.

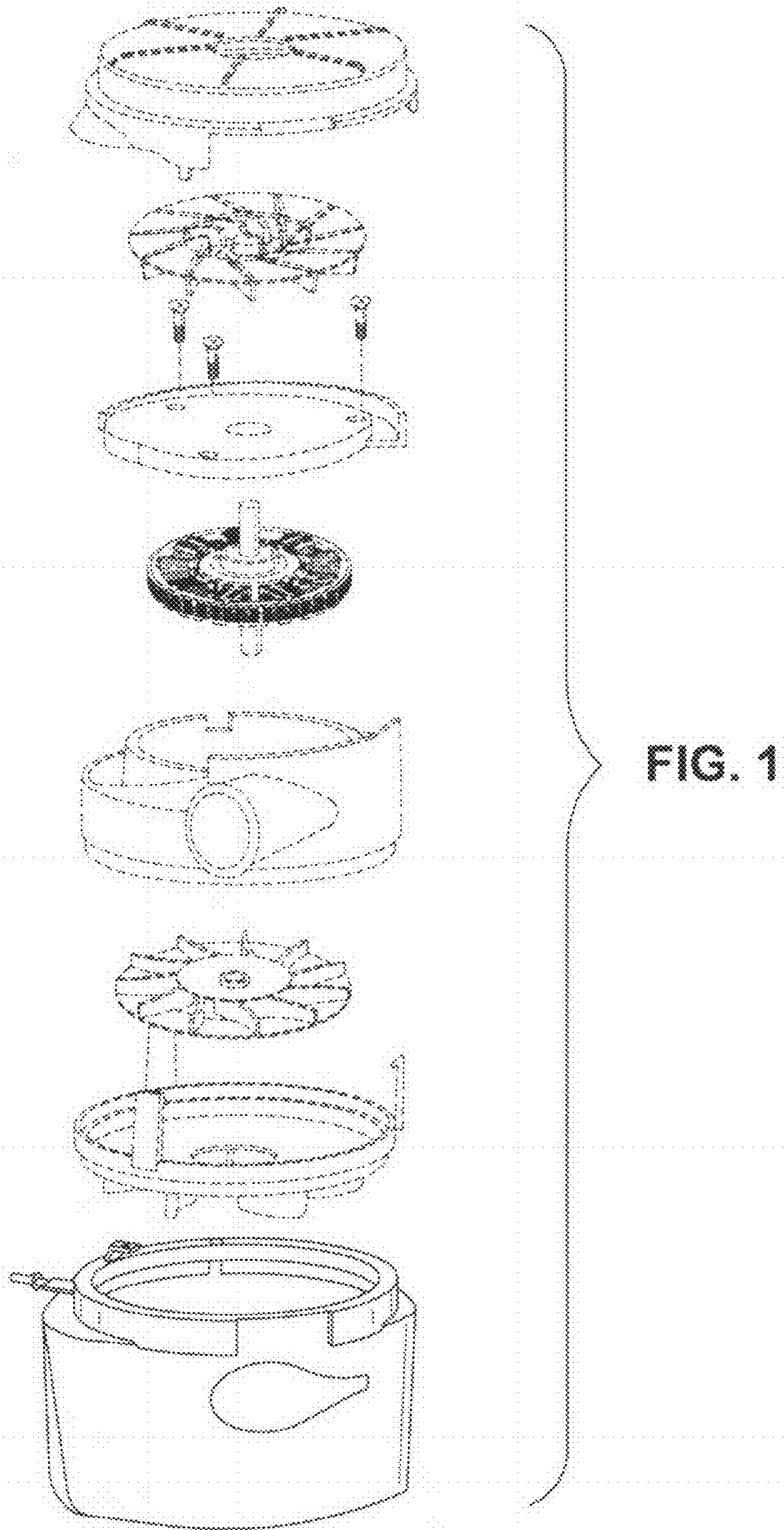
**1 Claim, 2 Drawing Sheets**

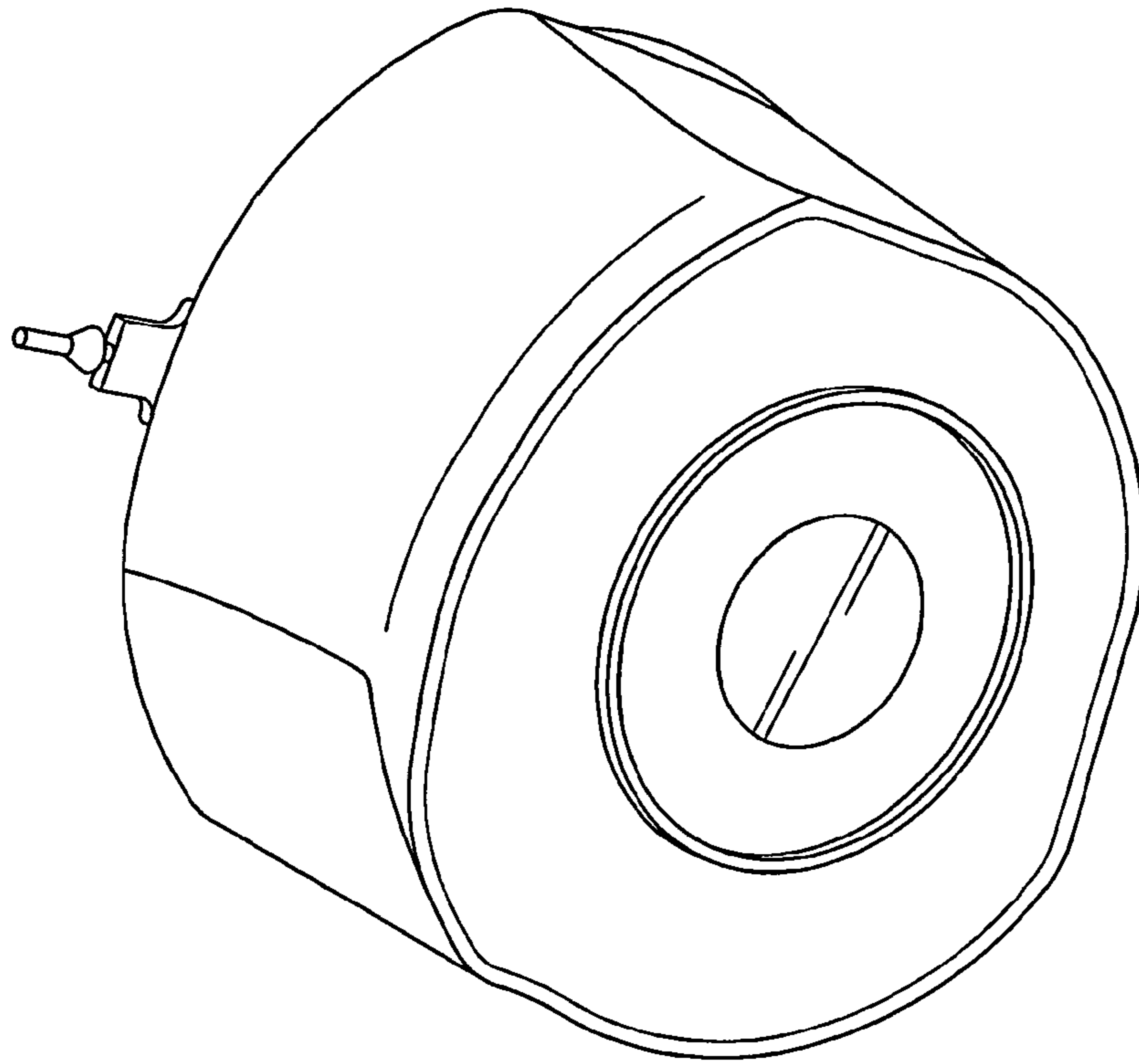
(56) **References Cited**

**U.S. PATENT DOCUMENTS**

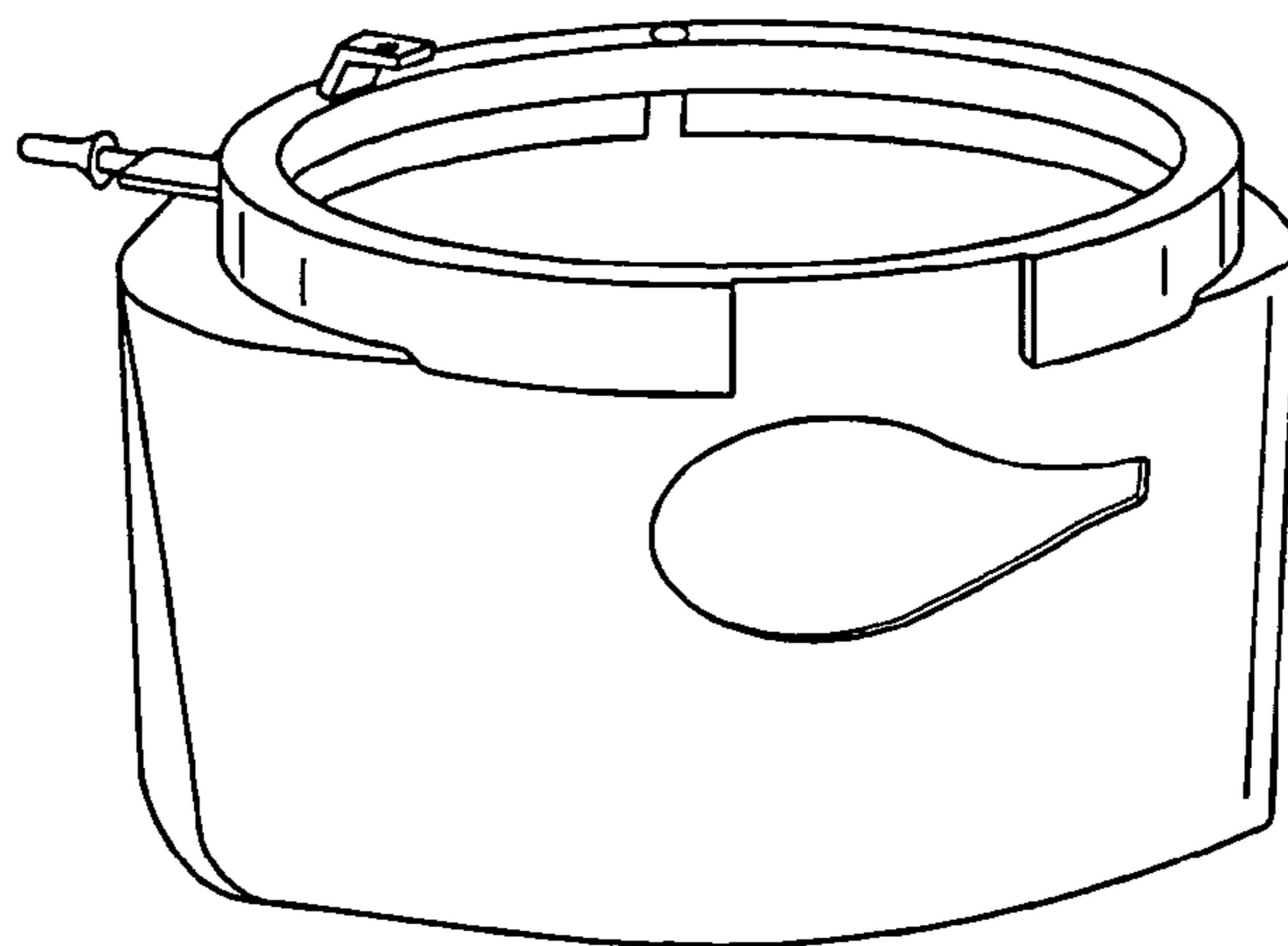
D314,844	S	2/1991	Baharad		
5,893,705	A	4/1999	Khan et al.		
D427,675	S	7/2000	Hansel		
6,315,526	B1	11/2001	Jones		
6,357,463	B1	3/2002	Wickham et al.		
6,371,738	B2	4/2002	Jones		
D468,011	S	12/2002	Lithgow et al.		
6,565,334	B1	5/2003	Bradbury et al.		
D497,203	S	10/2004	Lithgow et al.		
7,012,346	B2	3/2006	Hoffman et al.		
D544,598	S	6/2007	Lithgow et al.		
D560,795	S	1/2008	Lithgow et al.		
D589,136	S	3/2009	Kenyon et al.		
D589,137	S	3/2009	Kenyon		
7,617,823	B2 *	11/2009	DiMatteo et al.	.....	128/204.18







**FIG. 2**



**FIG. 3**