



US00D679374S

(12) **United States Design Patent**  
**Virr et al.**

(10) **Patent No.:** **US D679,374 S**

(45) **Date of Patent:** **\*\* Apr. 2, 2013**

(54) **HUMIDIFIER TUB FOR HUMIDIFIER FOR POSITIVE AIRWAY PRESSURE DELIVERY DEVICE**

(75) Inventors: **Alexander Virr**, Balmain (AU); **Dan Kao**, Northbridge (AU)

(73) Assignee: **ResMed Limited**, Bella Vista (AU)

(\*\*) Term: **14 Years**

(21) Appl. No.: **29/371,430**

(22) Filed: **Feb. 25, 2011**

**Related U.S. Application Data**

(62) Division of application No. 29/371,058, filed on Oct. 4, 2010, now Pat. No. Des. 635,654, which is a division of application No. 29/311,388, filed on Mar. 5, 2009, now Pat. No. Des. 627,044.

(51) **LOC (9) Cl.** ..... **24-02**

(52) **U.S. Cl.** ..... **D24/110**

(58) **Field of Classification Search** ..... D24/110, D24/164; D23/355-366, 352, 369, 332, D23/333, 335, 336, 342, 351, 262, 164; 128/200.24, 128/200.23, 200.22, 200.16, 200.14, 203.16, 128/203.17, 204.18, 204.23; 422/120, 122; 55/356, 473, 504, 374; 96/97; D14/188, D14/170, 172; 261/DIG. 17, DIG. 65, DIG. 88, 261/DIG. 31; D32/31, 32, 25; D15/5; 285/401  
See application file for complete search history.

(56) **References Cited**

**U.S. PATENT DOCUMENTS**

D254,750 S	4/1980	Myklebust et al.	
D296,819 S	7/1988	Suhajda	
D305,562 S	1/1990	Martinez	
5,464,460 A *	11/1995	Bosses	55/374
D374,479 S	10/1996	Bucher et al.	
D377,212 S	1/1997	Moore	
D384,452 S *	9/1997	Wareham	D32/31
D396,726 S	8/1998	Sadr et al.	
D419,658 S	1/2000	Matchett et al.	
D427,675 S	7/2000	Hansel	

6,131,958 A *	10/2000	Craig	285/401
6,217,627 B1	4/2001	Vyskocil et al.	
D455,484 S	4/2002	Hensel	
D456,887 S	5/2002	Zlotnik	
D468,011 S	12/2002	Lithgow et al.	
D468,497 S *	1/2003	Lovely, Jr.	D32/31
D475,165 S *	5/2003	Biere et al.	D32/31
D479,876 S *	9/2003	Gradon et al.	D24/110
D488,270 S *	4/2004	Biere et al.	D32/31
D517,672 S	3/2006	Schmitt et al.	
D528,655 S *	9/2006	Clawson	D24/110
D529,159 S	9/2006	Howansky et al.	
D529,514 S	10/2006	Maeda et al.	
D529,924 S	10/2006	Ryczek et al.	
D531,642 S	11/2006	Maeda et al.	
D536,441 S *	2/2007	Garren et al.	D24/110
D553,228 S	10/2007	Virr et al.	
D556,908 S *	12/2007	Jones et al.	D24/164
D557,407 S	12/2007	Lithgow et al.	
D559,483 S *	1/2008	Matter et al.	D32/31
D581,431 S	11/2008	Shimomura	
D585,459 S	1/2009	Jing	

(Continued)

**OTHER PUBLICATIONS**

Virr et al., U.S. Appl. No. 29/371,058, filed Oct. 4, 2010.

*Primary Examiner* — David Muller

(74) *Attorney, Agent, or Firm* — Nixon & Vanderhye P.C.

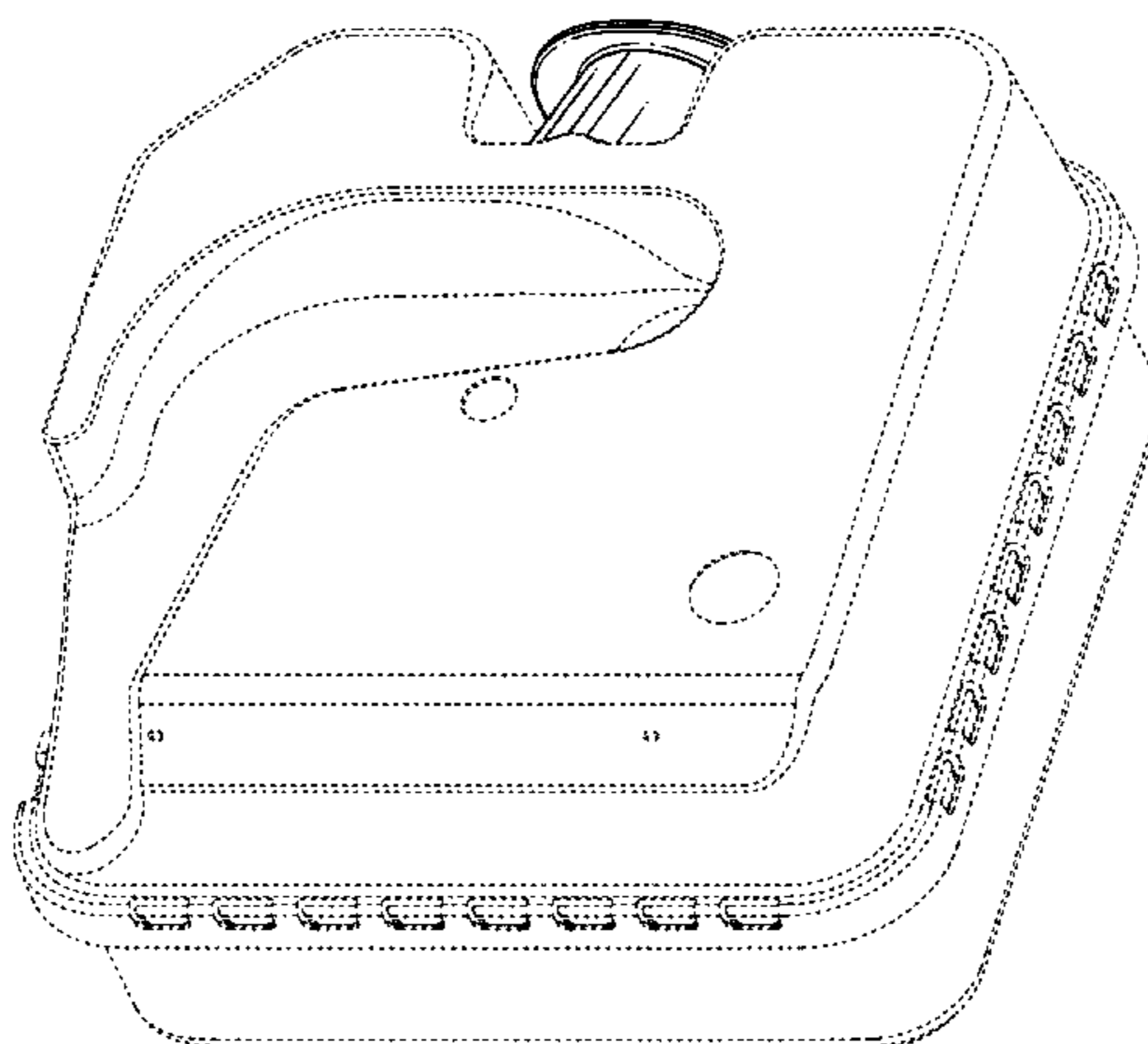
(57) **CLAIM**

The ornamental design for a humidifier tub for a humidifier for a positive airway pressure delivery device, as shown and described.

**DESCRIPTION**

FIG. 1 is a perspective view of a humidifier tub for a humidifier for a positive airway pressure delivery device according to our new ornamental design; FIG. 2 is a rear view thereof; FIG. 3 is a top view thereof; FIG. 4 is a left side view thereof; and, FIG. 5 is a right side view thereof. The broken lines of the humidifier tub represent environment or structure and do not form a part of the claimed design.

**1 Claim, 4 Drawing Sheets**



# US D679,374 S

Page 2

---

## U.S. PATENT DOCUMENTS

D585,540 S	1/2009	Lithgow et al.	D617,437 S	6/2010	Matsuzaki	
D592,740 S	5/2009	Catrino	D627,044 S	11/2010	Virr et al.	
D593,190 S	5/2009	Glass	2003/0182907 A1*	10/2003	Steele	..... 55/374
D605,285 S *	12/2009	Garren et al. ....	D24/110			
D612,480 S	3/2010	Cork et al.				

\* cited by examiner

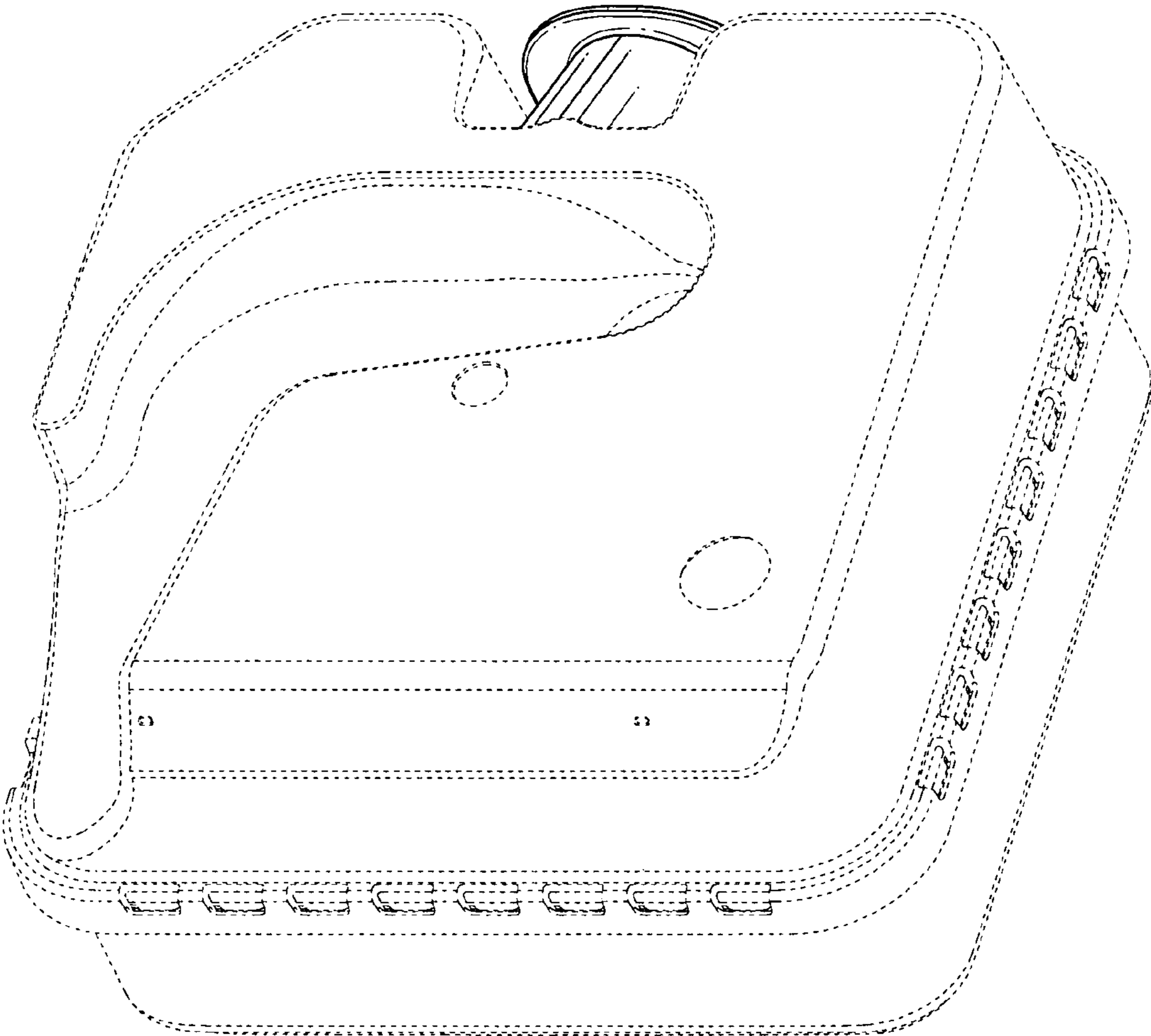


Figure 1

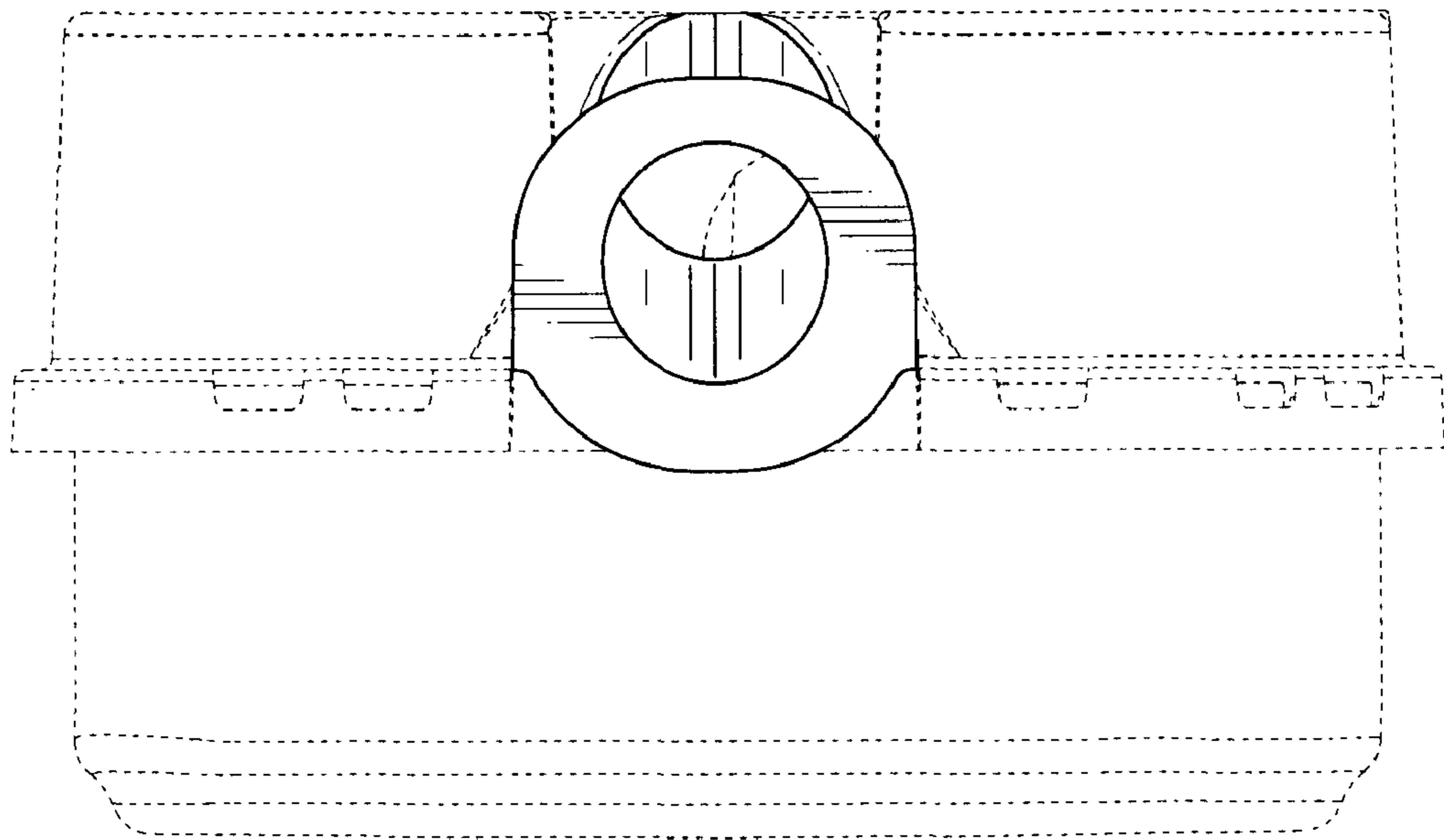


Figure 2

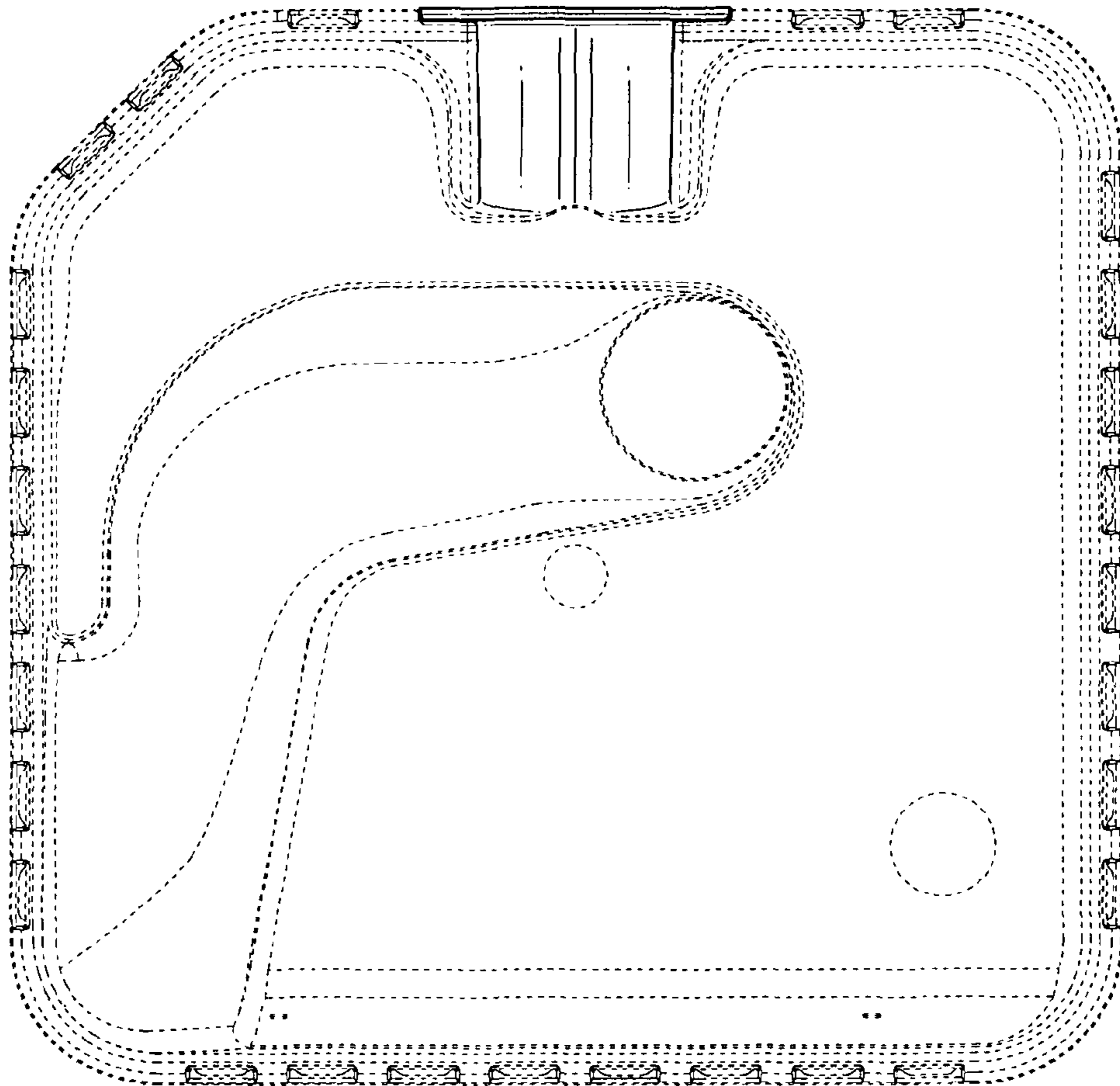


Figure 3

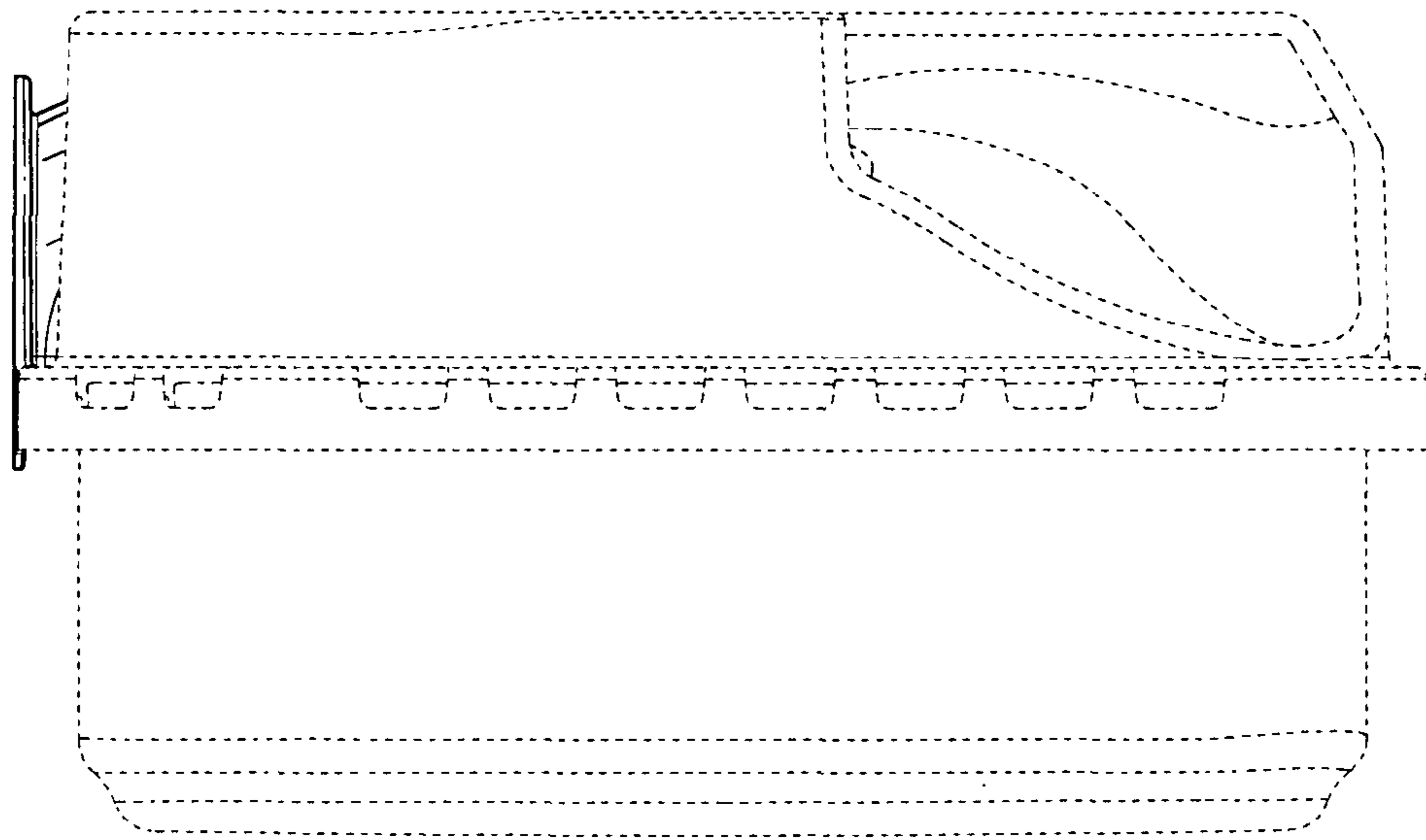


Figure 4

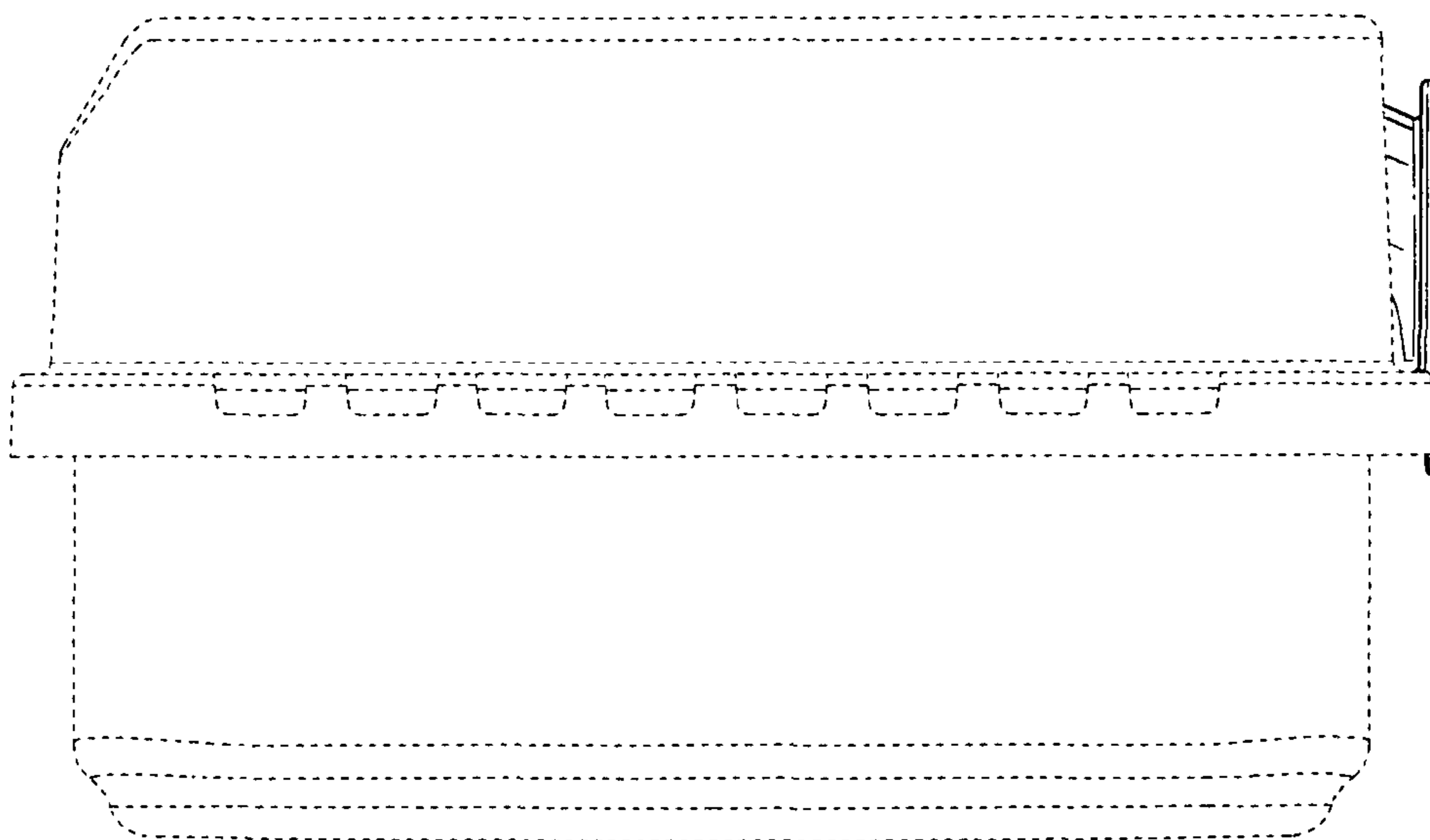


Figure 5