



US00D679372S

(12) **United States Design Patent**  
**Crider et al.**

(10) **Patent No.:** **US D679,372 S**

(45) **Date of Patent:** **\*\* Apr. 2, 2013**

(54) **PORTABLE EVAPORATIVE COOLING FAN**

D484,586 S \* 12/2003 Intravolata ..... D23/370  
D546,436 S \* 7/2007 Chen ..... D23/382  
D650,893 S \* 12/2011 Fizer ..... D23/382

(76) Inventors: **Shawn J. Crider**, Bremen, AL (US);  
**Lesley R. Jenkins**, Cullman, AL (US)

\* cited by examiner

(\*\*) Term: **14 Years**

*Primary Examiner* — Garth Rademaker

(21) Appl. No.: **29/381,614**

(74) *Attorney, Agent, or Firm* — Kenneth M. Bush; Bush Intellectual Property Law

(22) Filed: **Dec. 21, 2010**

(51) **LOC (9) Cl.** ..... **23-04**

(52) **U.S. Cl.** ..... **D23/382**

(58) **Field of Classification Search** ..... D23/328,  
D23/332, 333, 335–337, 370–386, 397, 411–414;  
248/676; 310/58, 59, 60 A, 60 R, 61–65;  
392/365–369, 373, 374, 382, 383; 416/63,  
416/179, 185, 186 R, 187, 189, 235, 244 R,  
416/246, 247 R

See application file for complete search history.

(57) **CLAIM**

We claim the ornamental design for a portable evaporative cooling fan, as shown and described.

**DESCRIPTION**

FIG. 1 is a top, front, right perspective view of a portable evaporative cooling fan showing our new design; FIG. 2 is a top, rear, left perspective view thereof; FIG. 3 is a front elevational view thereof; FIG. 4 is a rear elevational view thereof; FIG. 5 is a left side elevational view thereof; FIG. 6 is a right side elevational view thereof; and, FIG. 7 is a top plan view thereof.

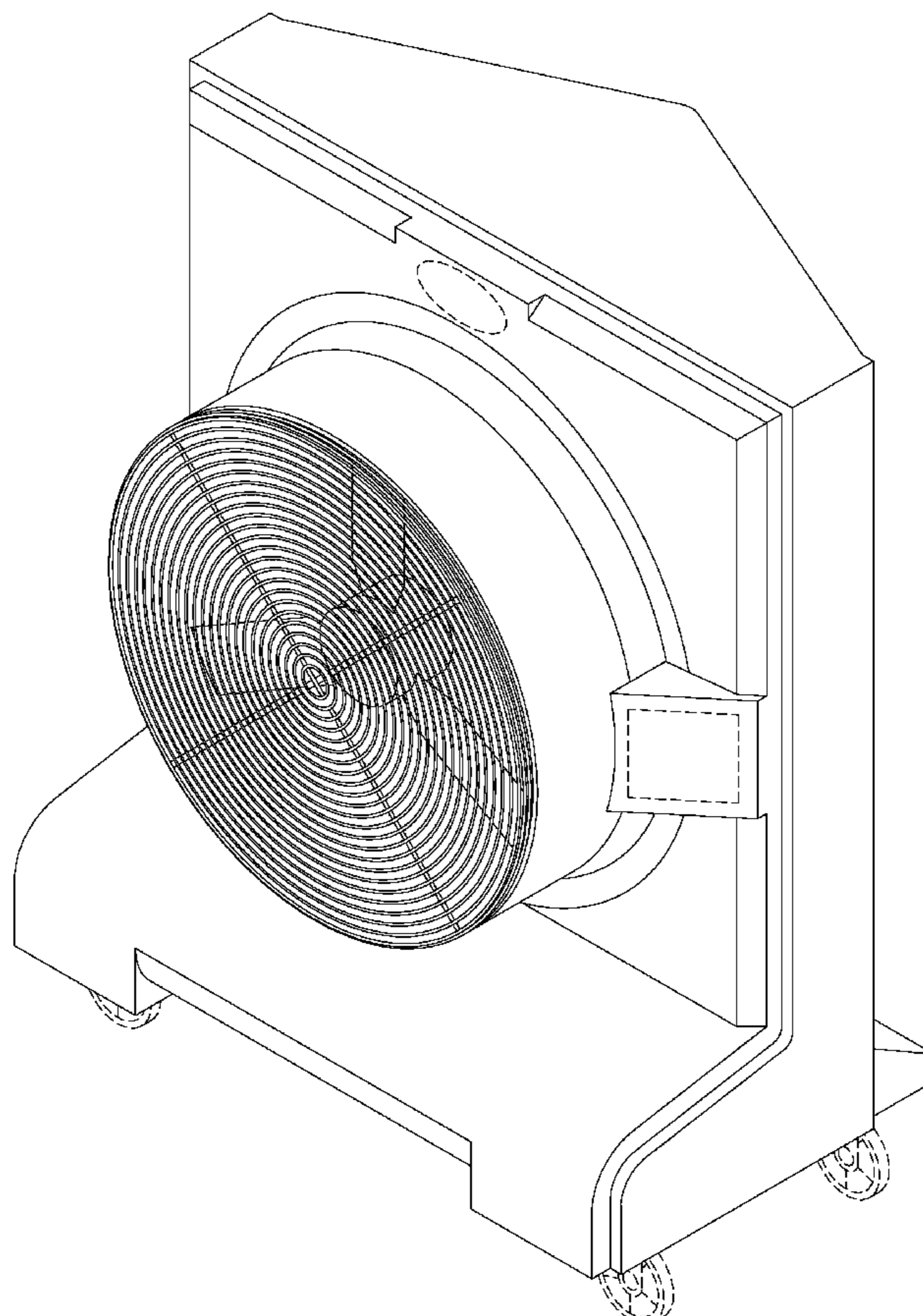
The broken lines depict environmental subject matter only and form no part of the claimed design.

(56) **References Cited**

U.S. PATENT DOCUMENTS

2,628,020	A	*	2/1953	Koch	.....	D23/378
D193,160	S	*	7/1962	Zeiler	.....	D23/377
D314,619	S	*	2/1991	Beavers et al.	.....	D23/383
D397,194	S	*	8/1998	Hebert	.....	D23/382
D444,552	S	*	7/2001	Wang	.....	D23/382
D452,734	S	*	1/2002	Blateri et al.	.....	D23/382

**1 Claim, 7 Drawing Sheets**



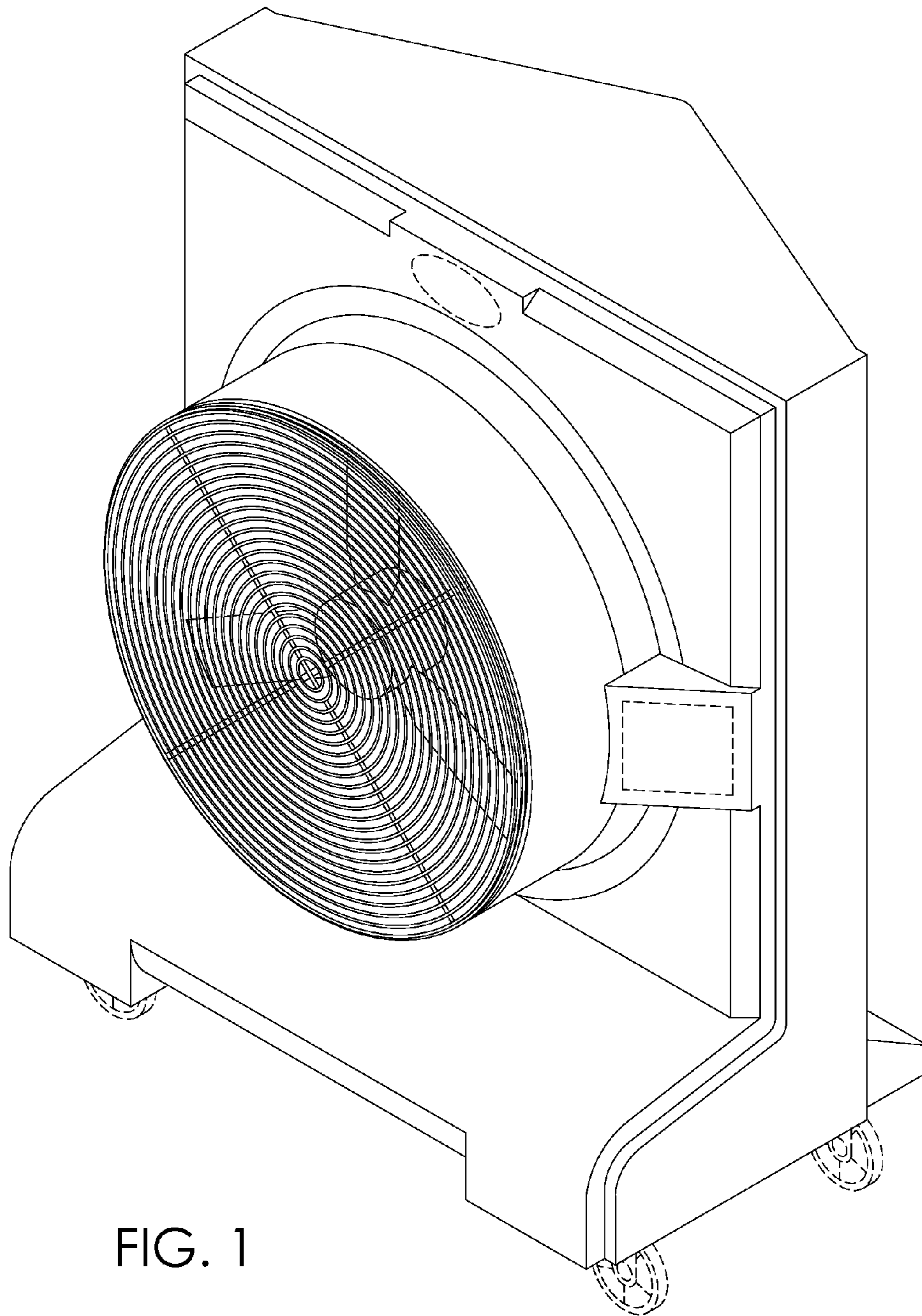


FIG. 1

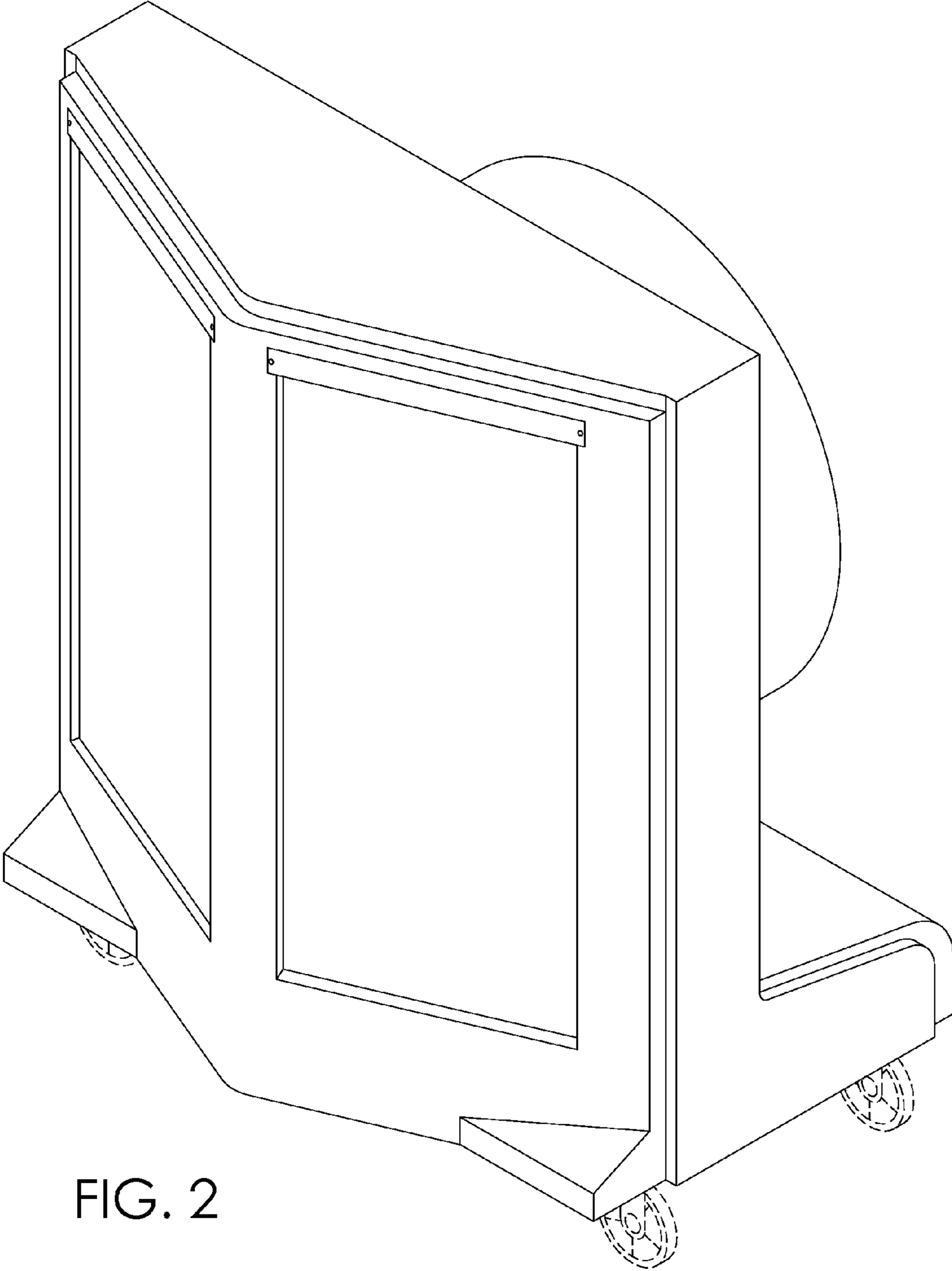


FIG. 2

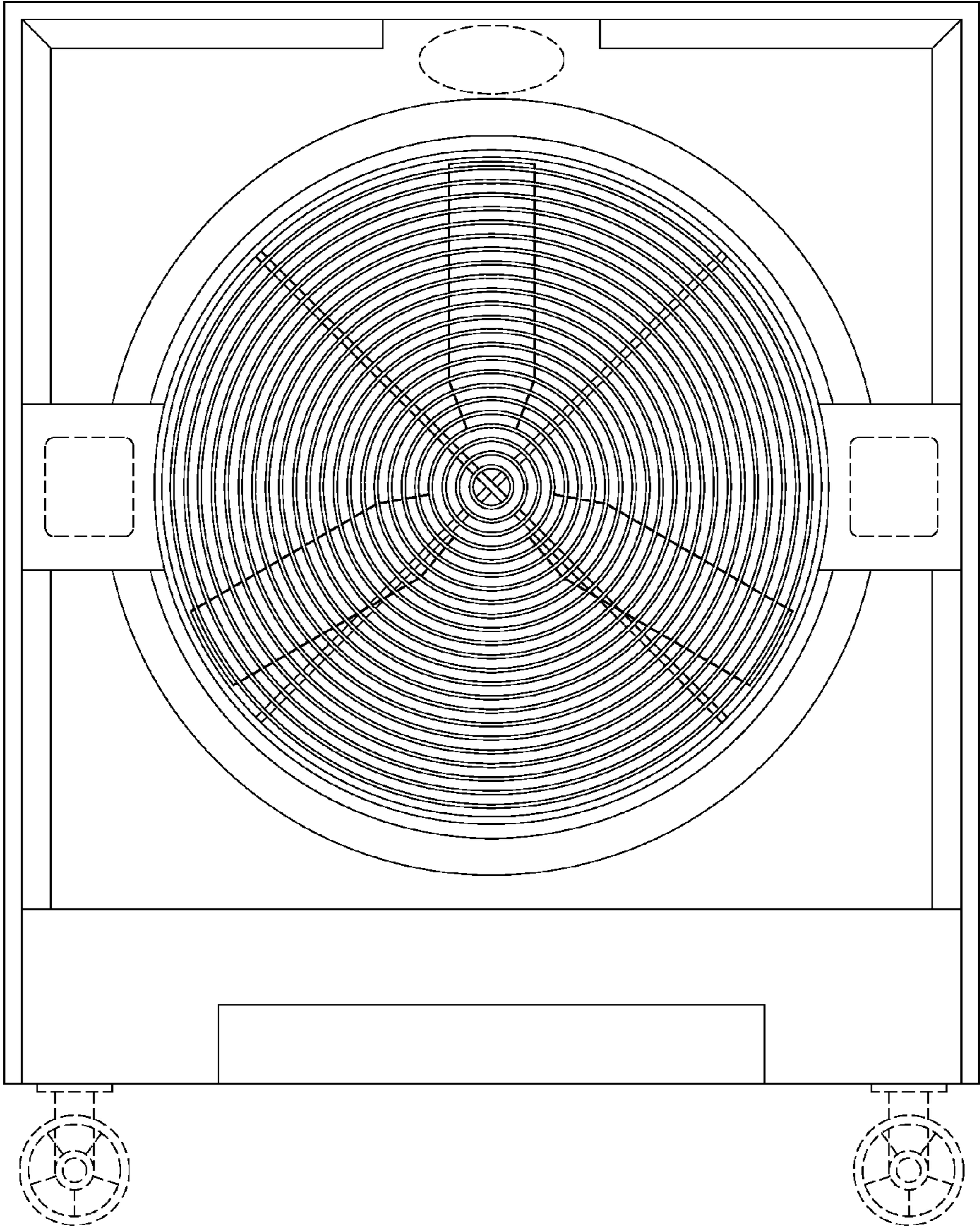


FIG. 3

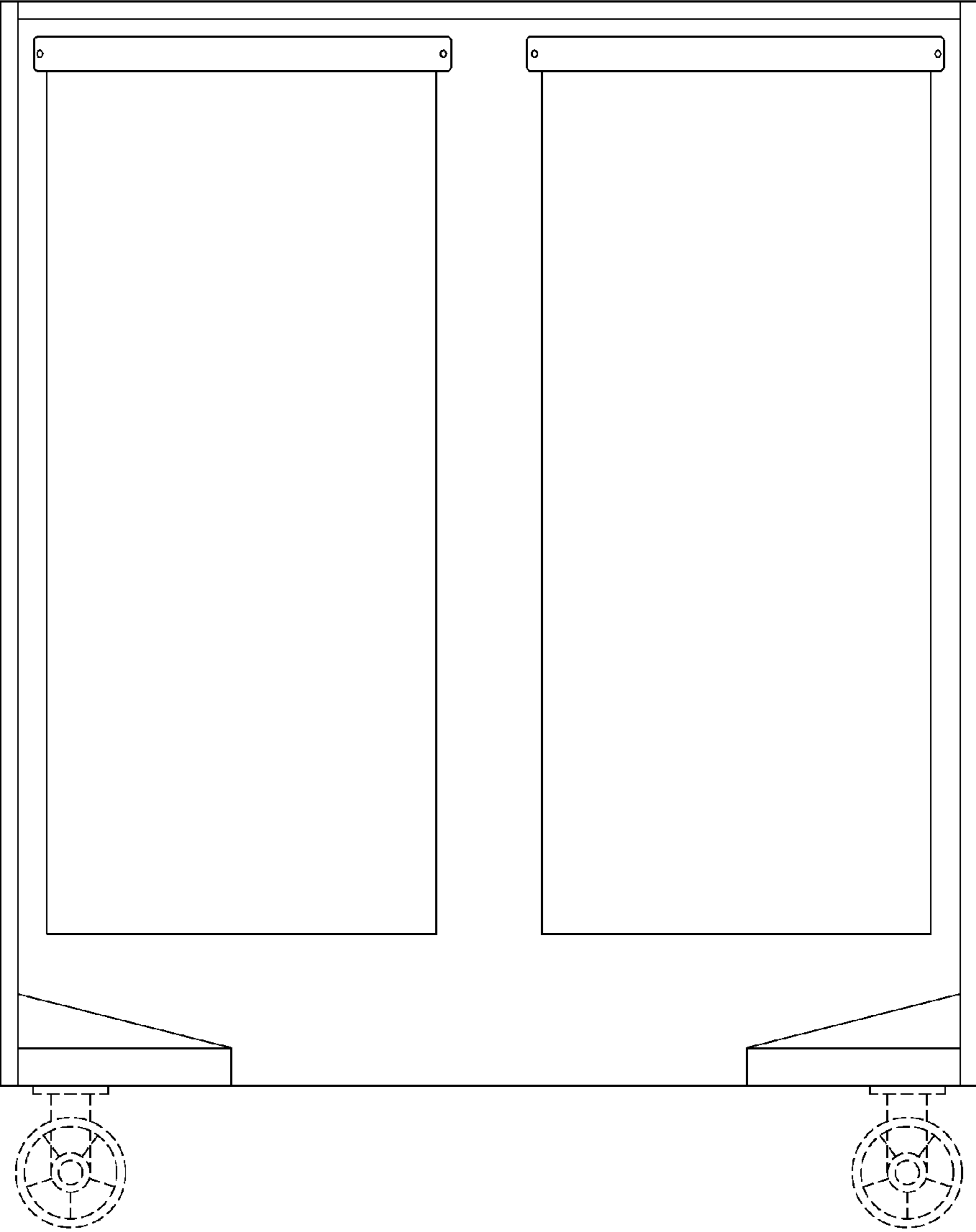


FIG. 4

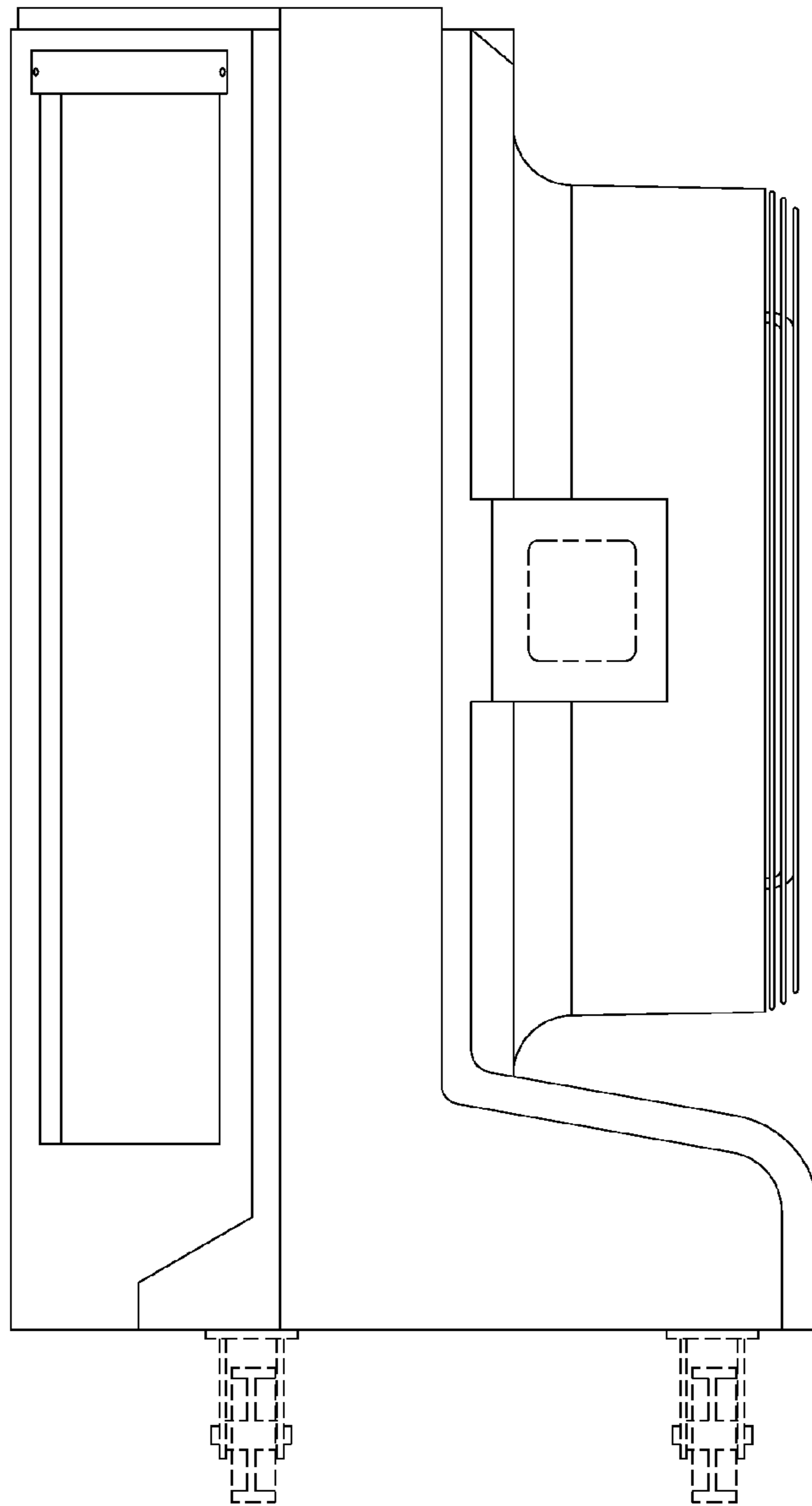


FIG. 5

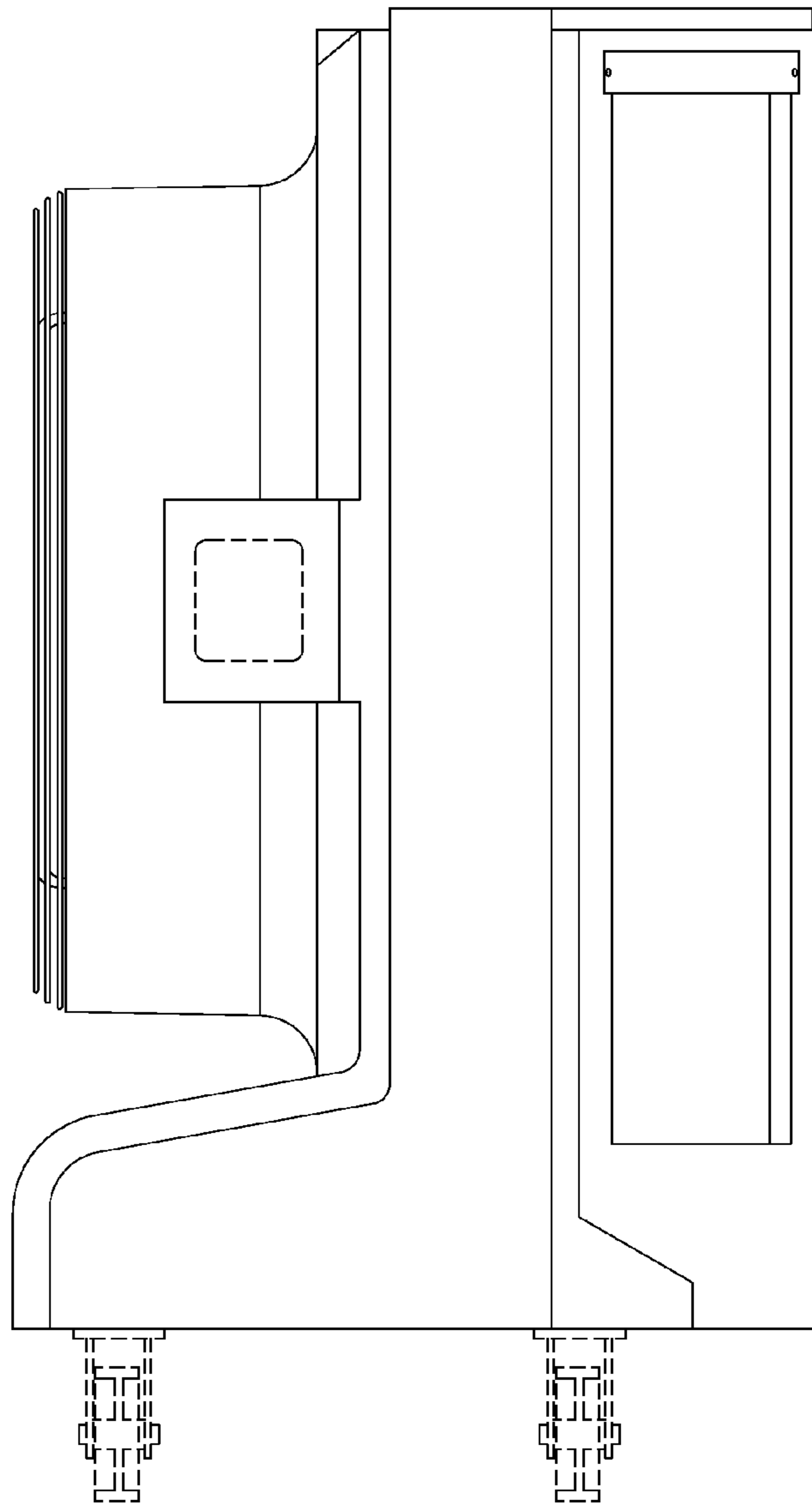


FIG. 6

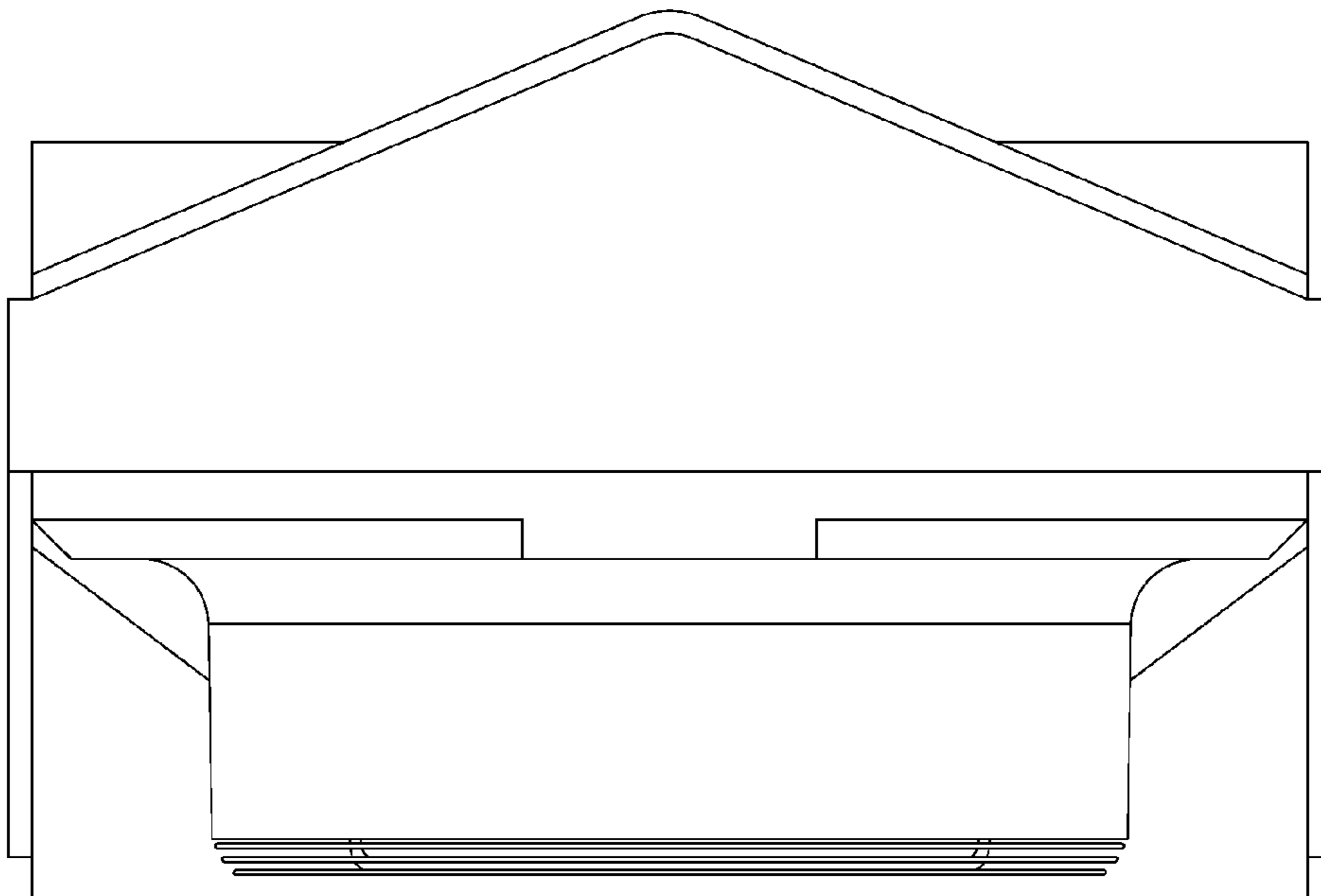


FIG. 7