



US00D679371S

(12) **United States Design Patent**
Luna et al.

(10) **Patent No.:** **US D679,371 S**

(45) **Date of Patent:** **** Apr. 2, 2013**

(54) **HEATER FACE TRIM**

(75) Inventors: **Jerome T. Luna**, Hacienda Heights, CA (US); **Robert L. Cowan**, Orange, CA (US)

(73) Assignee: **Infrared Dynamics, Inc.**, Yorba Linda, CA (US)

(**) Term: **14 Years**

(21) Appl. No.: **29/341,311**

(22) Filed: **Aug. 3, 2009**

(51) **LOC (9) Cl.** **23-03**

(52) **U.S. Cl.** **D23/341**

(58) **Field of Classification Search** D23/314,
D23/332, 335-350, 378, 370, 381, 354, 351,
D23/386, 333, 328, 353, 361, 385, 417, 357;
392/365, 367, 424, 383, 411, 360, 369, 373-376;
126/183, 110 B, 91 A, 92 A, 500, 544, 547;
431/125

See application file for complete search history.

(56) **References Cited**

U.S. PATENT DOCUMENTS

D480,499 S * 10/2003 Watt D26/121
D481,824 S * 11/2003 Watt D26/118

D620,570 S * 7/2010 Thomas D23/342
D654,577 S * 2/2012 Smith et al. D23/332
D658,749 S * 5/2012 Crowe et al. D23/343

* cited by examiner

Primary Examiner — T. Chase Nelson

Assistant Examiner — Ania Aman

(74) *Attorney, Agent, or Firm* — Knobbe, Martens, Olson & Bear, LLP

(57) **CLAIM**

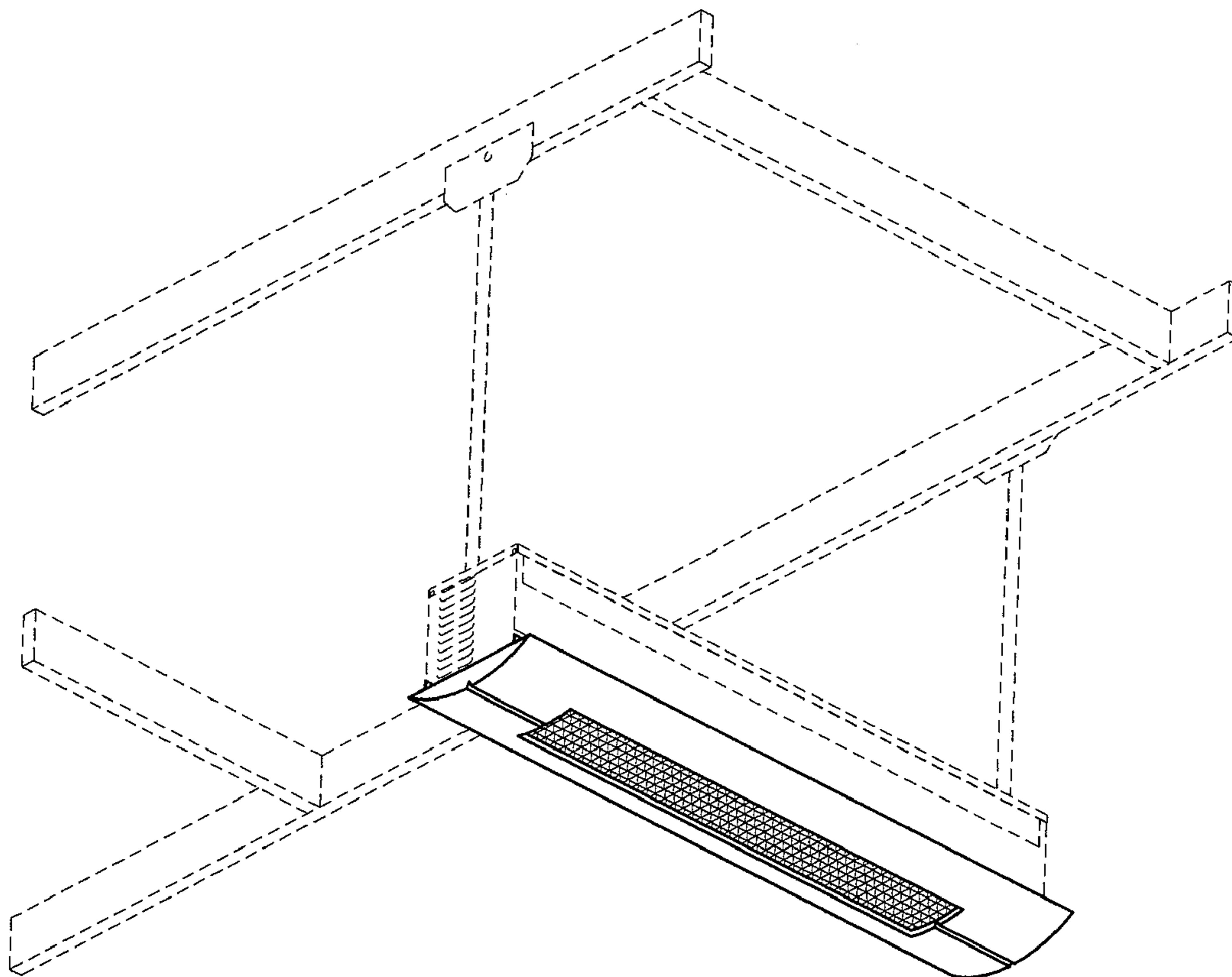
The ornamental design for a heater face trim, as shown and described.

DESCRIPTION

FIG. 1 is a front perspective view of a heater face trim showing our new design; FIG. 2 is a left side elevational view of the heater face trim; FIG. 3 is a right side elevational view of the heater face trim; FIG. 4 is a front elevational view of the heater face trim; FIG. 5 is a rear elevational view of the heater face trim; and, FIG. 6 is top plan view of the heater face trim, the bottom plan view being a mirror image thereof.

The broken lines shown in FIG. 1 are for the purpose of illustrating environment and form no part of the claimed design.

1 Claim, 2 Drawing Sheets



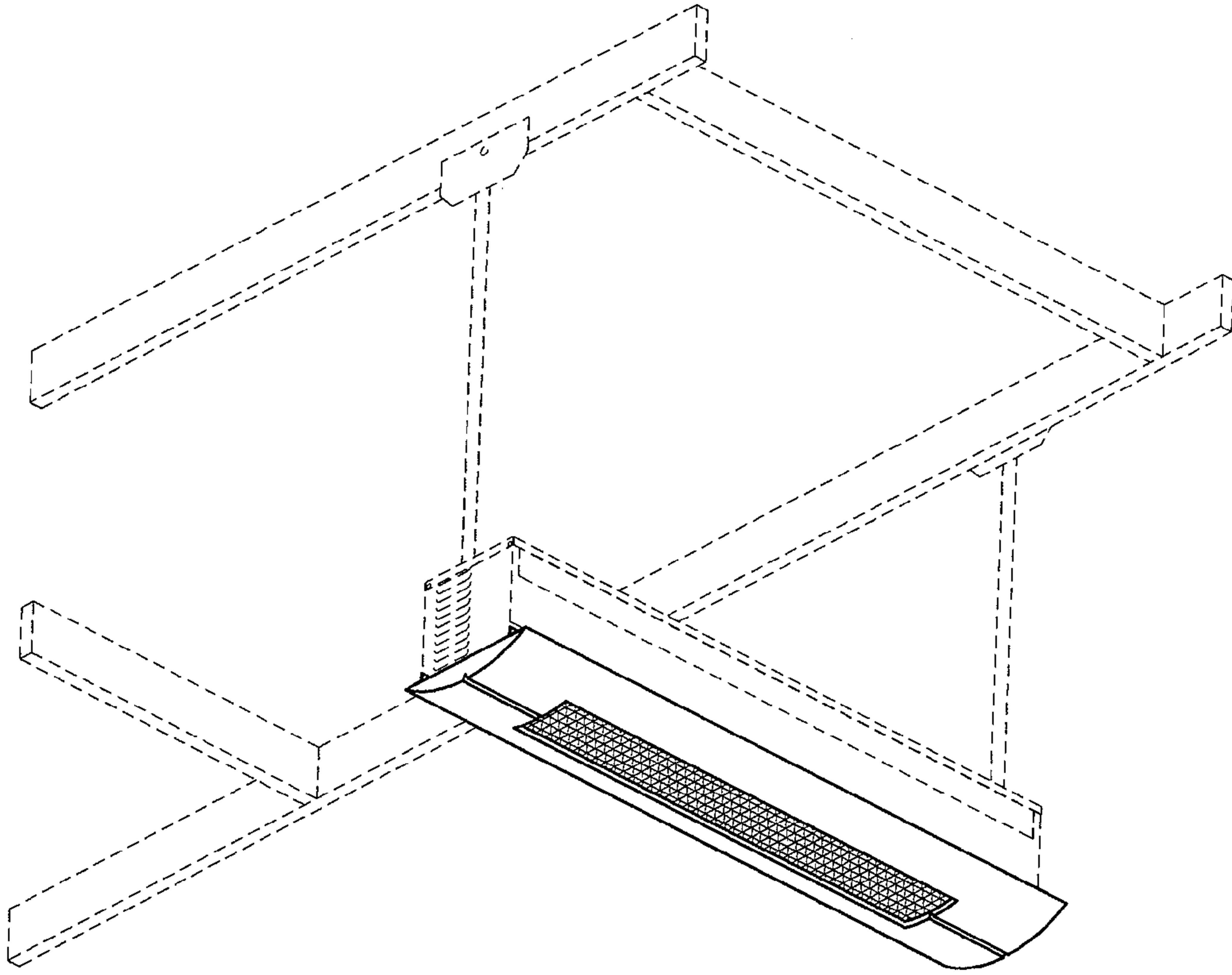


FIG. 1



FIG. 2



FIG. 3

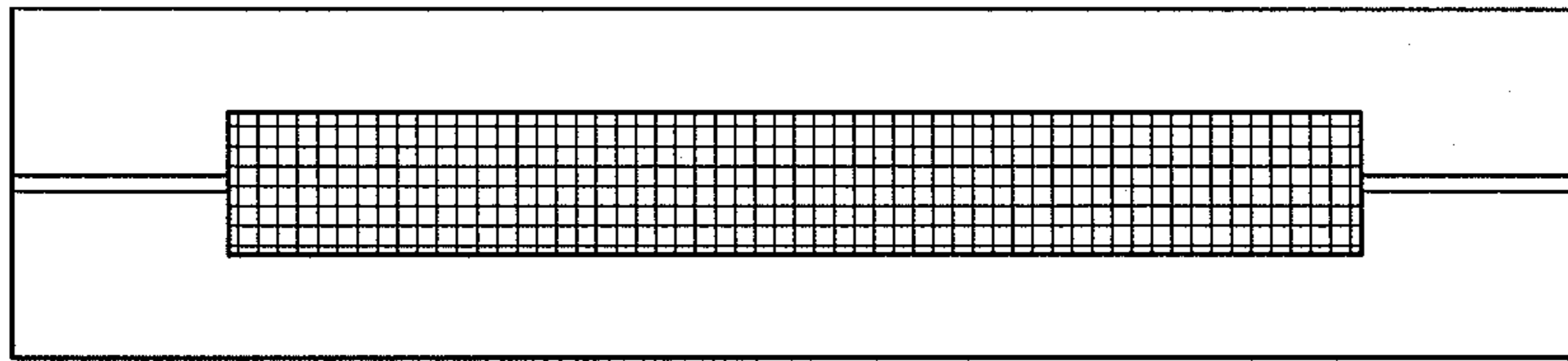


FIG. 4

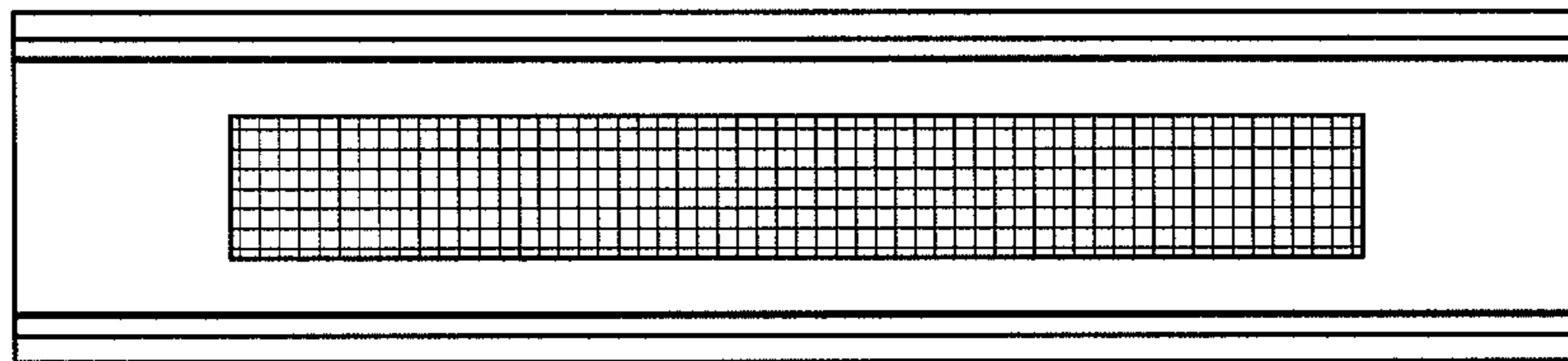


FIG. 5

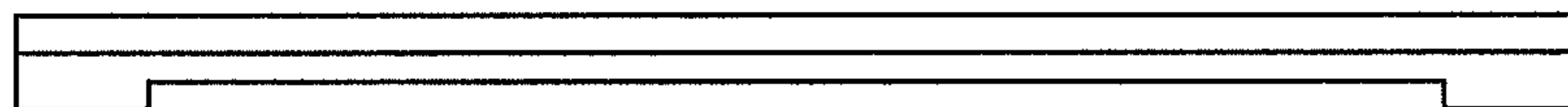


FIG. 6