



US00D679370S

(12) **United States Design Patent**
Erli

(10) **Patent No.:** **US D679,370 S**

(45) **Date of Patent:** **** Apr. 2, 2013**

(54) **BATH SEAT FOR BABIES**

FOREIGN PATENT DOCUMENTS

(75) Inventor: **Silvia Erli**, Telgate (IT)

WO DM/051825 4/2000

(73) Assignee: **Okbaby S.R.L.**, Telgate (IT)

* cited by examiner

(**) Term: **14 Years**

Primary Examiner — Caron D Veynar

Assistant Examiner — Abraham Bahta

(21) Appl. No.: **29/403,853**

(74) *Attorney, Agent, or Firm* — Pearne & Gordon LLP

(22) Filed: **Oct. 12, 2011**

(57) **CLAIM**

(30) **Foreign Application Priority Data**

The ornamental design for a bath seat for babies, as shown and described.

Aug. 11, 2011 (EM) 001903691-0001

(51) **LOC (9) Cl.** **23-02**

(52) **U.S. Cl.** **D23/304**

(58) **Field of Classification Search** D6/339;
D23/304, 296-297; 4/572.1, 578.1

See application file for complete search history.

DESCRIPTION

(56) **References Cited**

FIG. 1 is a front-right perspective view of a bath seat for babies, showing my new design;
FIG. 2 is a front elevational view thereof;
FIG. 3 is a back elevational view thereof;
FIG. 4 is a top plan view thereof;
FIG. 5 is a right side elevational view thereof;
FIG. 6 is a left side elevational view thereof; and,
FIG. 7 is a bottom plan view thereof.

U.S. PATENT DOCUMENTS

3,493,976 A * 2/1970 Baker D23/278
5,317,765 A * 6/1994 Knoedler et al. D23/304
5,588,158 A * 12/1996 Poulson et al. 4/572.1
D462,752 S * 9/2002 Prishoff D23/297

1 Claim, 7 Drawing Sheets





FIG. 1

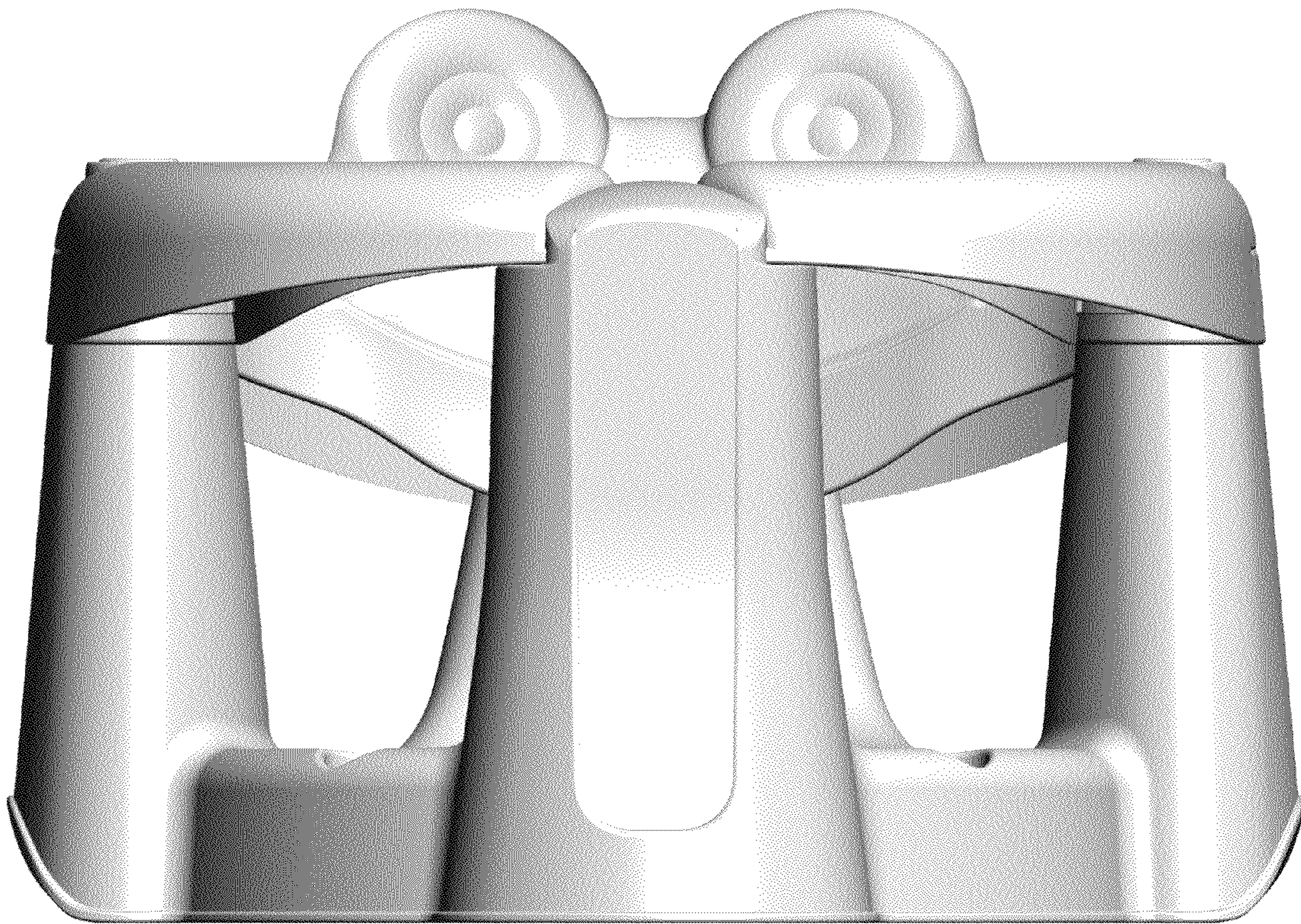


FIG. 2

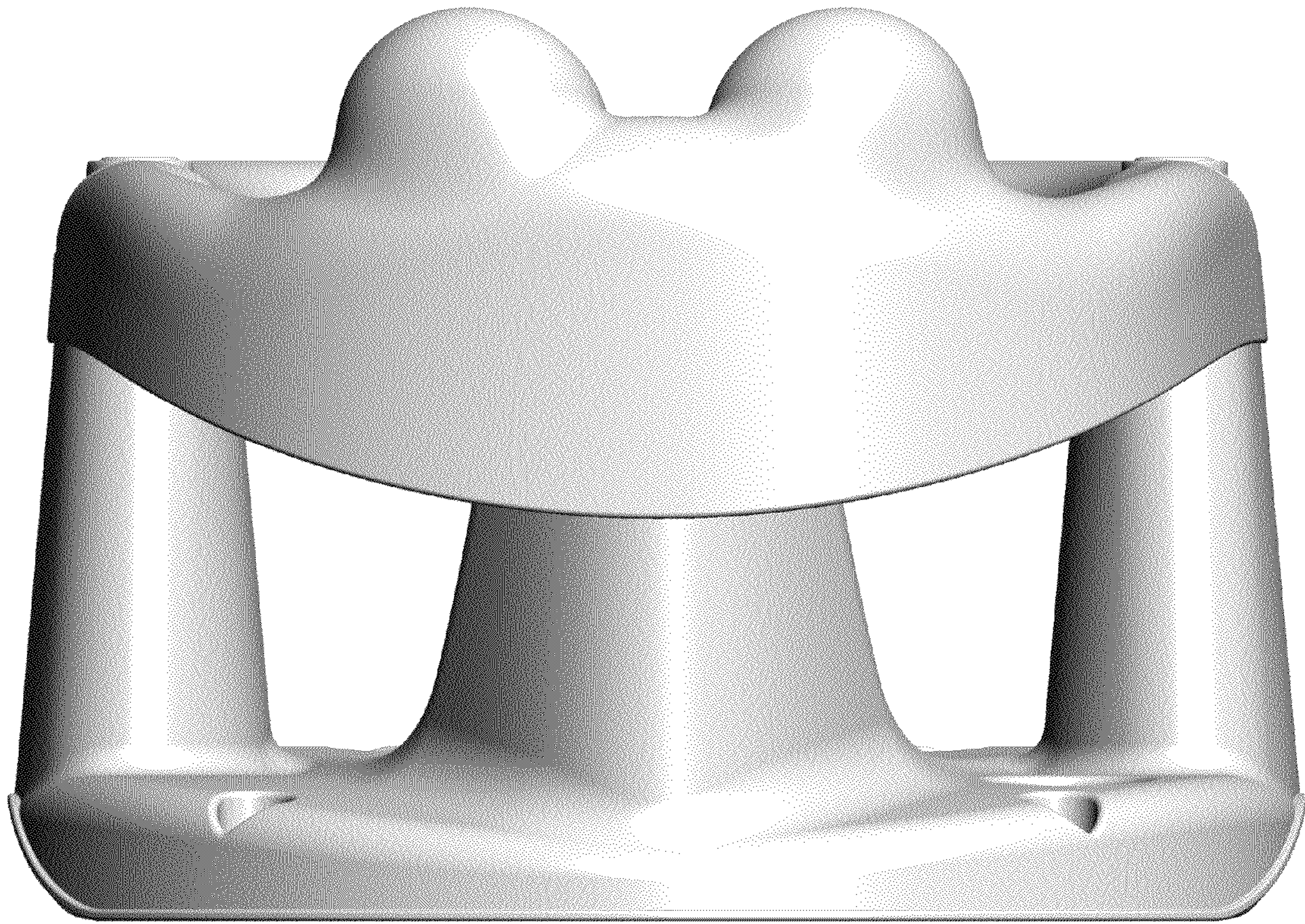


FIG. 3

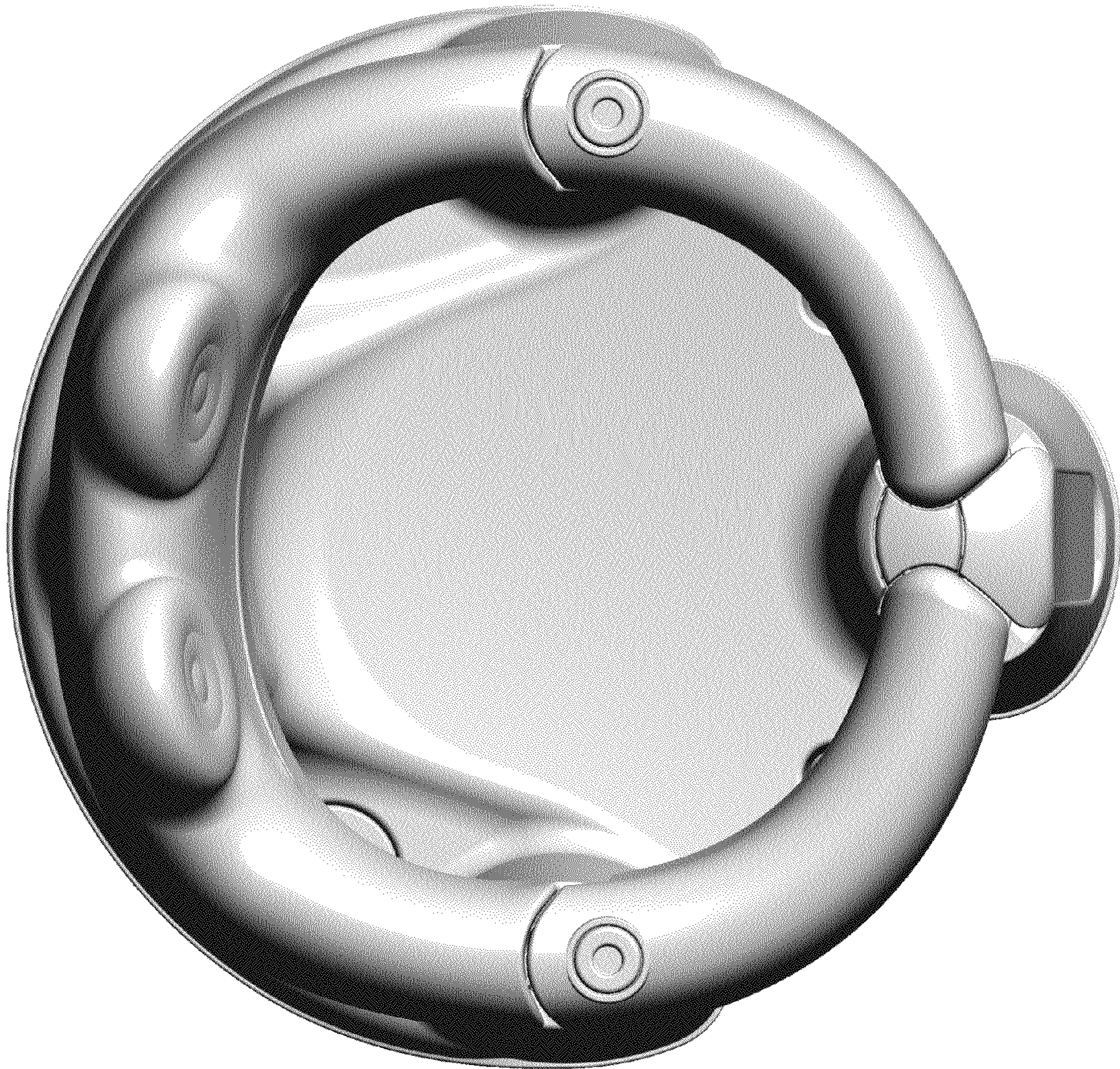


FIG. 4

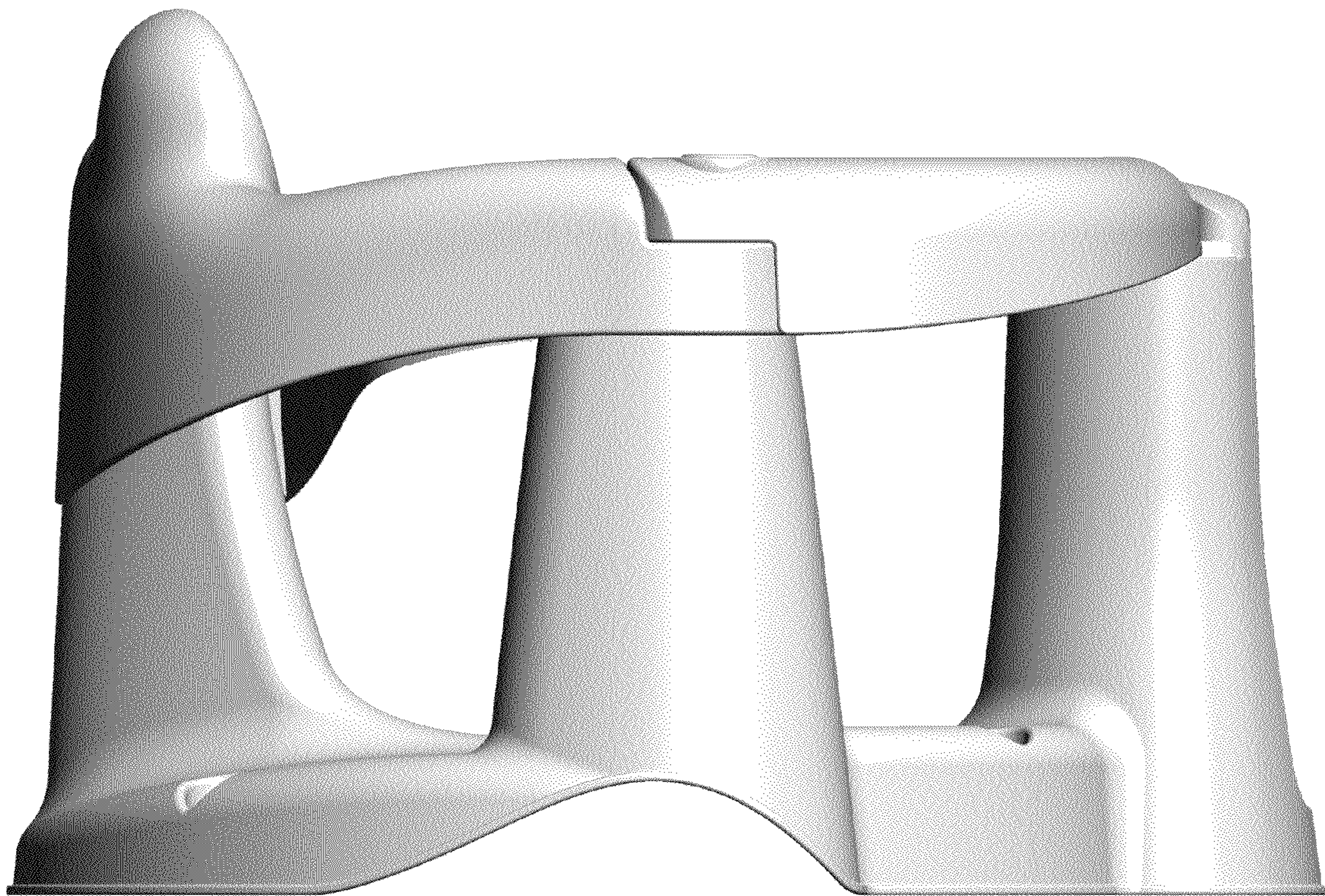


FIG. 5

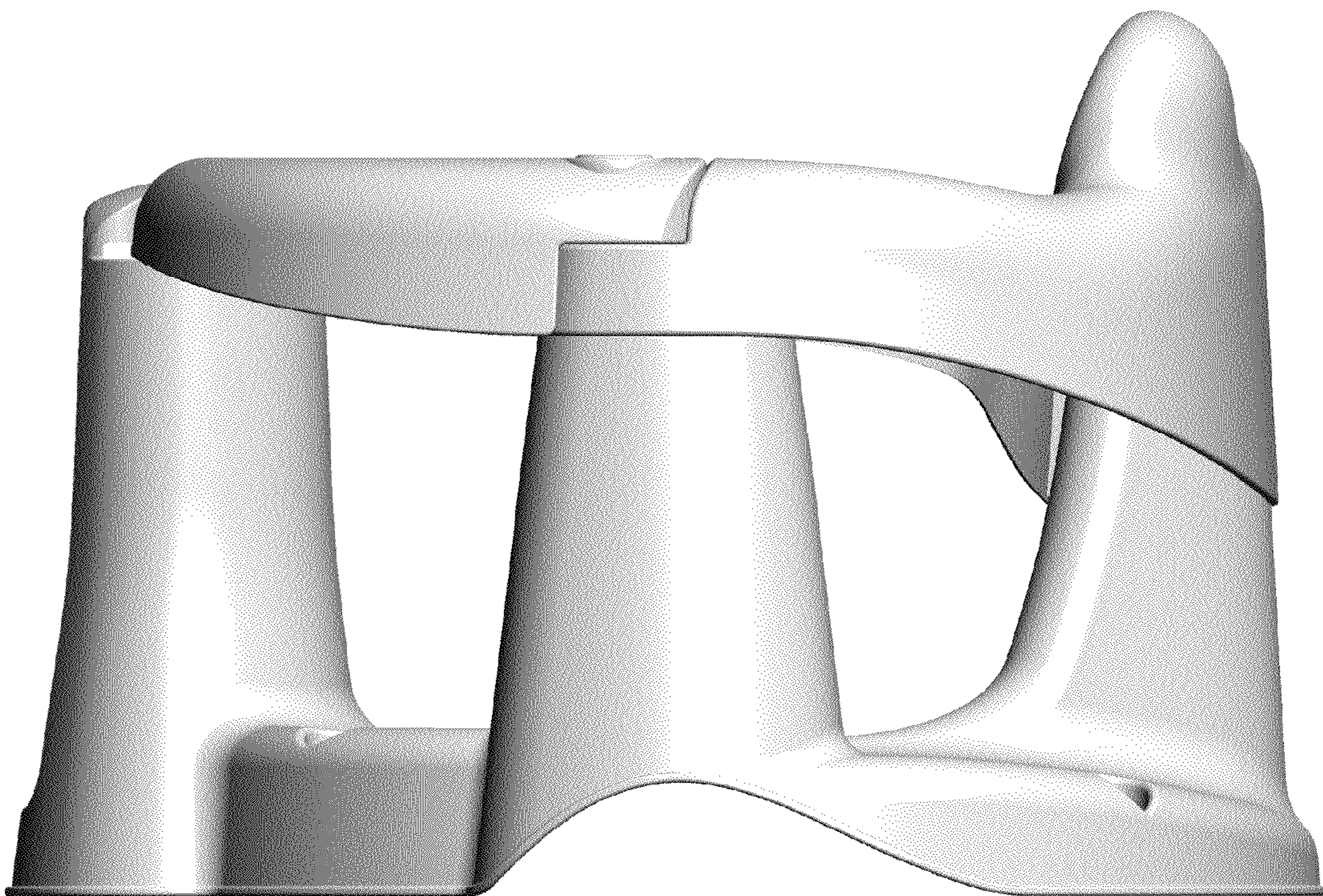


FIG. 6



FIG. 7