



US00D679368S

(12) **United States Design Patent**
Liao

(10) **Patent No.:** **US D679,368 S**

(45) **Date of Patent:** **** Apr. 2, 2013**

(54) **FAUCET**

(75) **Inventor:** **Vincent Liao**, Guangzhou (CN)

(73) **Assignee:** **Masco Corporation of Indiana**,
Indianapolis, IN (US)

(**) **Term:** **14 Years**

(21) **Appl. No.:** **29/412,257**

(22) **Filed:** **Feb. 1, 2012**

(51) **LOC (9) Cl.** **23-01**

(52) **U.S. Cl.** **D23/257**

(58) **Field of Classification Search** D23/238,
D23/241-243, 254-25, 257; 4/675-678;
137/801

See application file for complete search history.

(56) **References Cited**

U.S. PATENT DOCUMENTS

D655,788 S * 3/2012 Obara et al. D23/242
D657,019 S * 4/2012 Padgett D23/242
D667,086 S * 9/2012 Kwok D23/238

* cited by examiner

Primary Examiner — Robert Delehanty

(74) *Attorney, Agent, or Firm* — Edgar A. Zarins; Nirav D. Parikh; Lora J. Graentzdoerffer

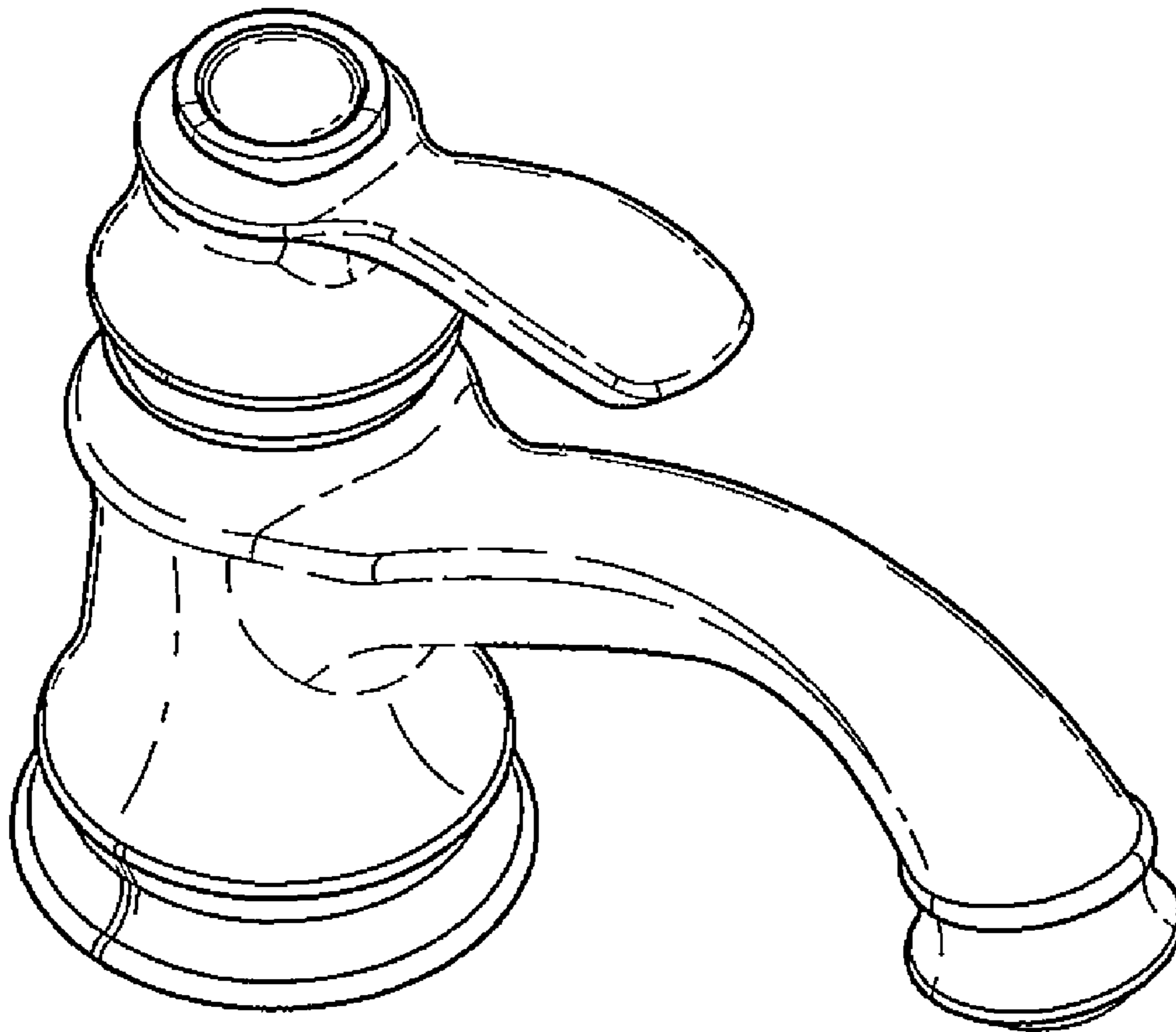
(57) **CLAIM**

The ornamental design for a faucet, as shown and described.

DESCRIPTION

FIG. 1 is a perspective view of a faucet showing my new design;
FIG. 2 is a right side view thereof, the opposite side being a mirror image of the side shown;
FIG. 3 is a front elevational view thereof;
FIG. 4 is a rear view thereof;
FIG. 5 is a top plan view thereof; and,
FIG. 6 is a bottom view thereof.

1 Claim, 2 Drawing Sheets



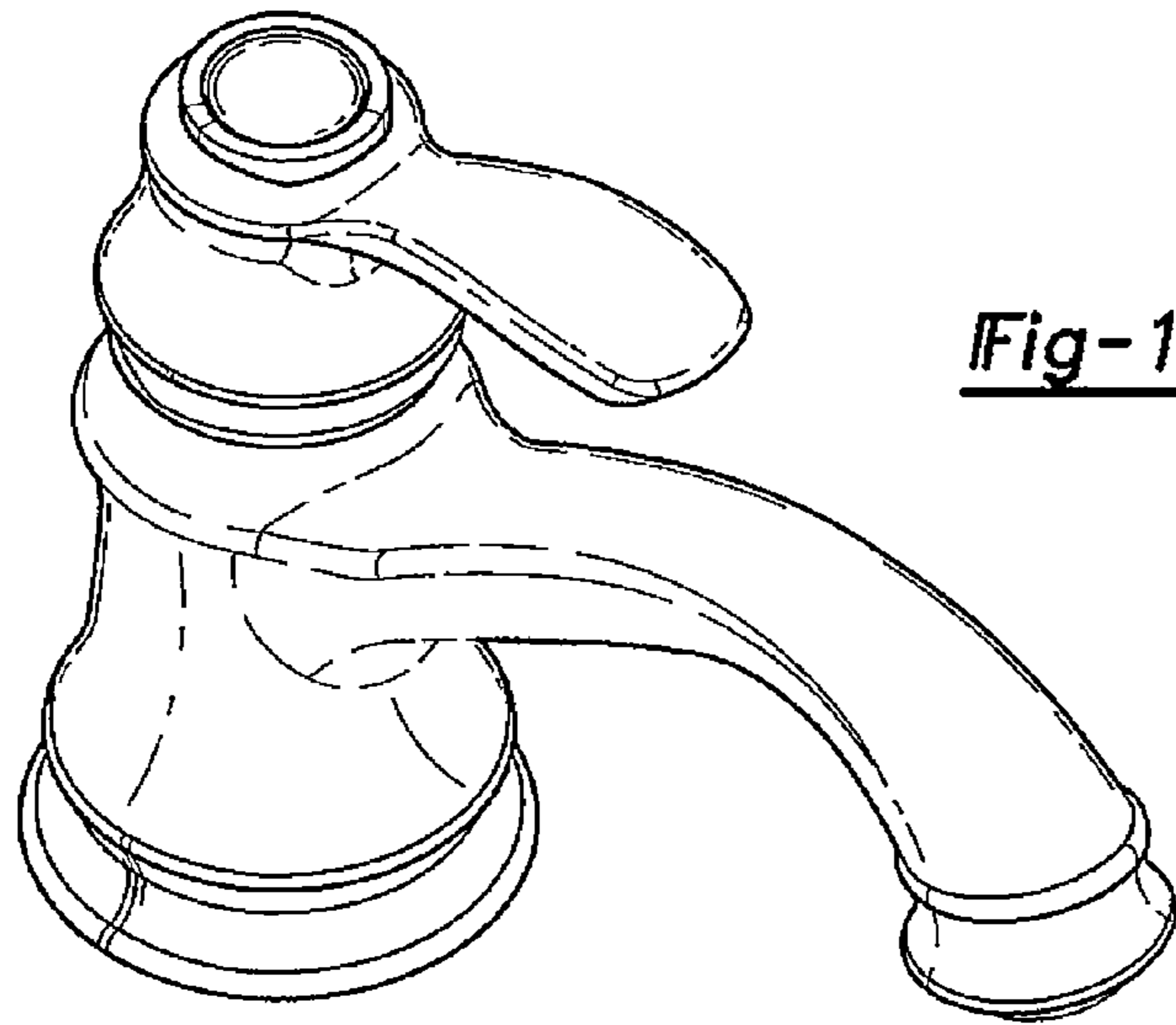


Fig-1

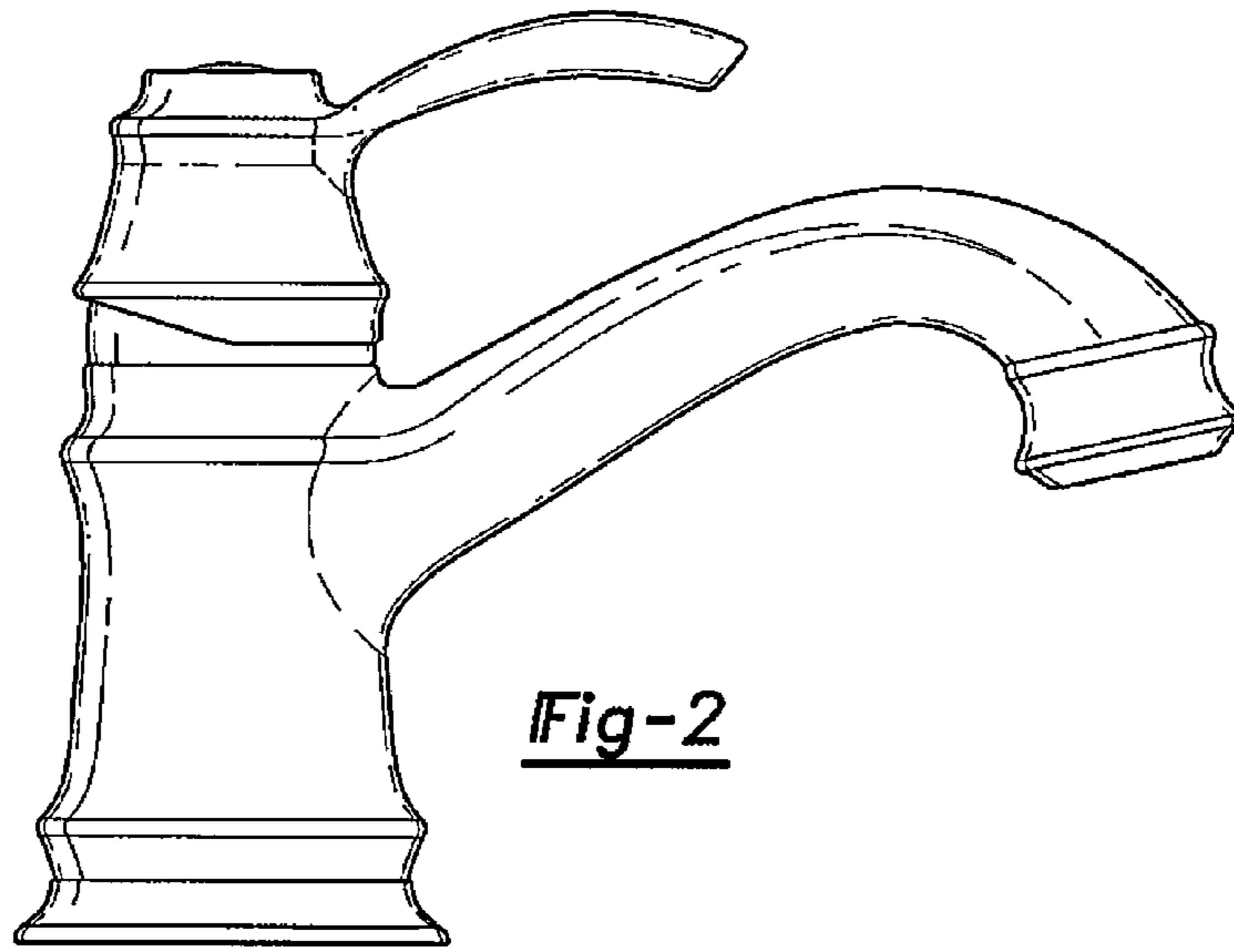


Fig-2

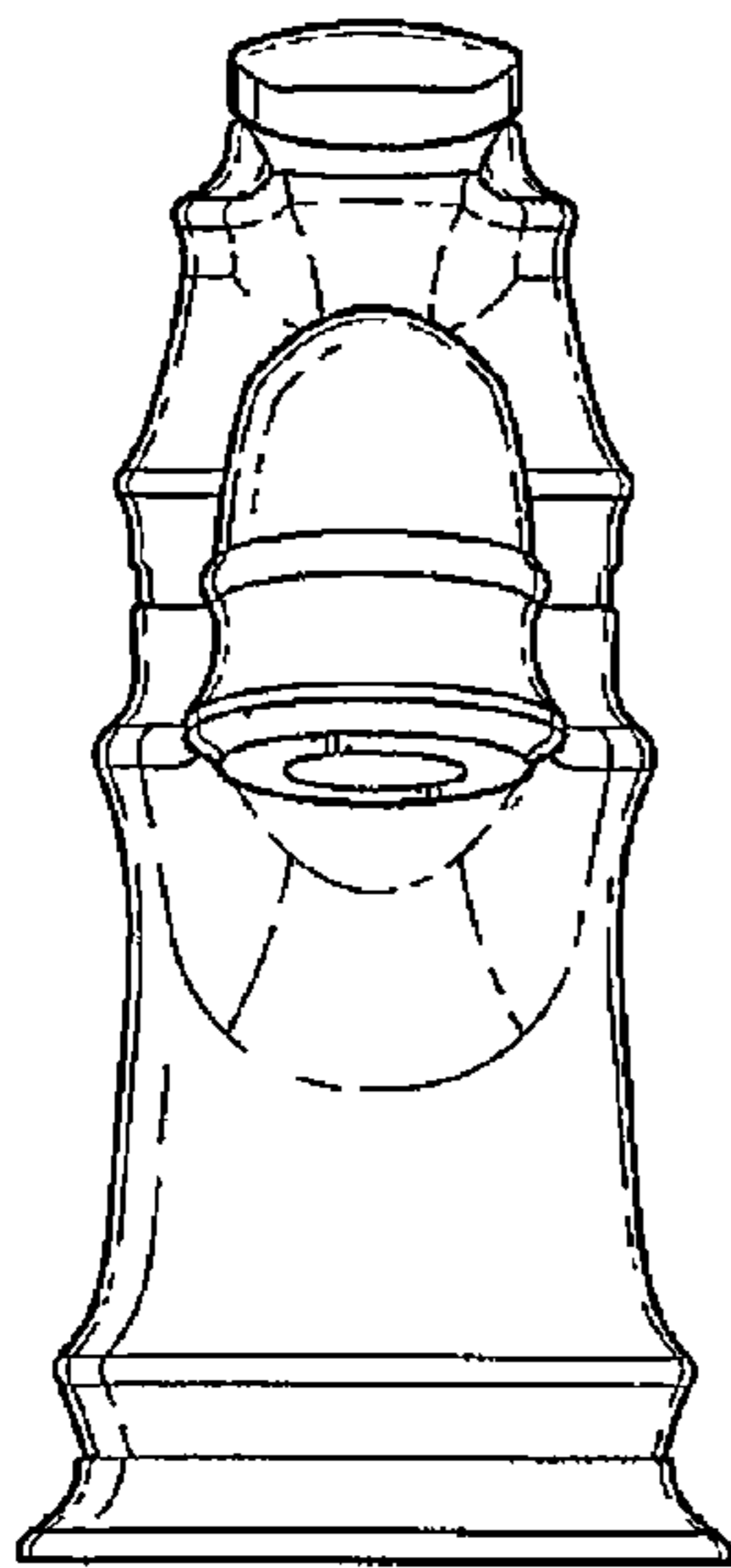


Fig-3

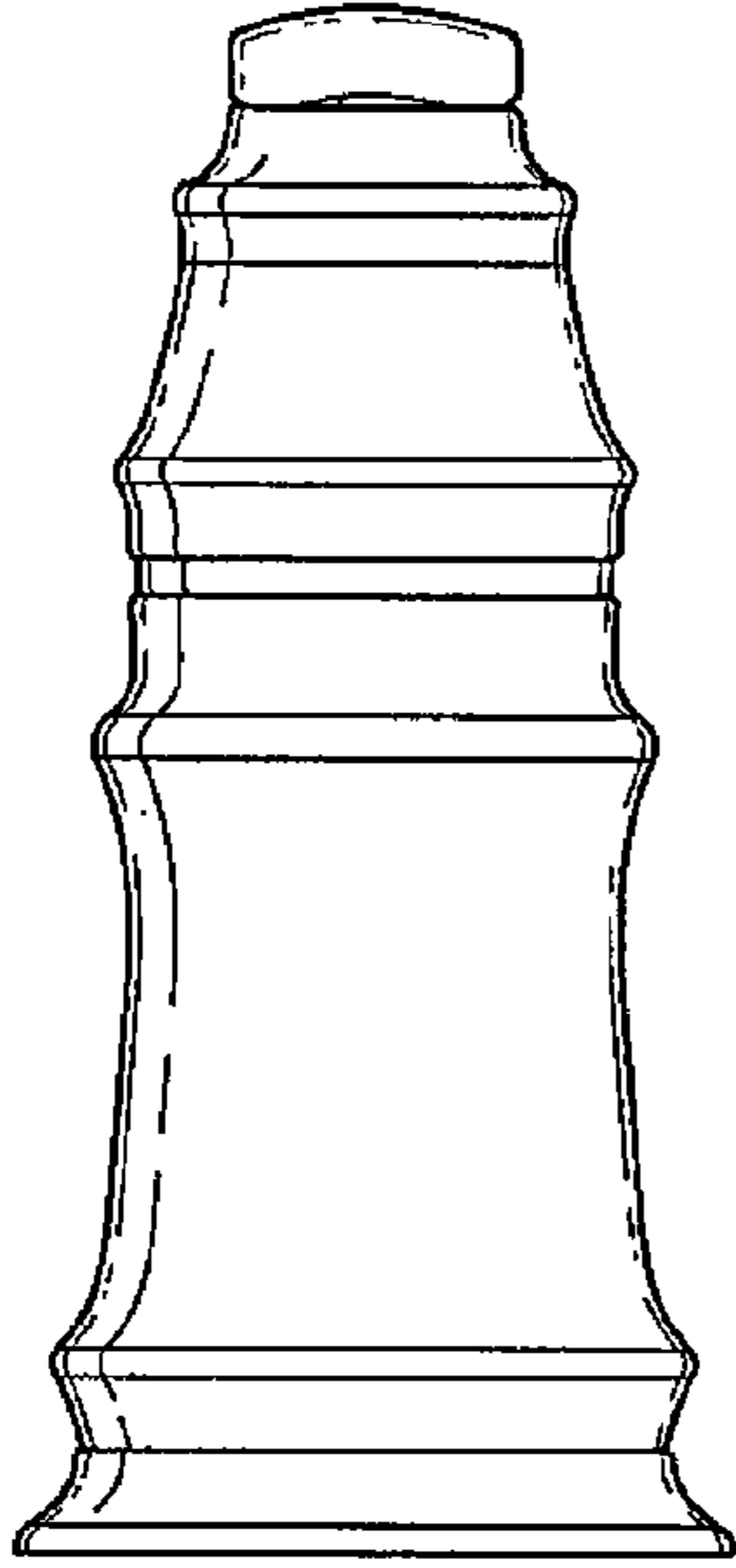


Fig-4

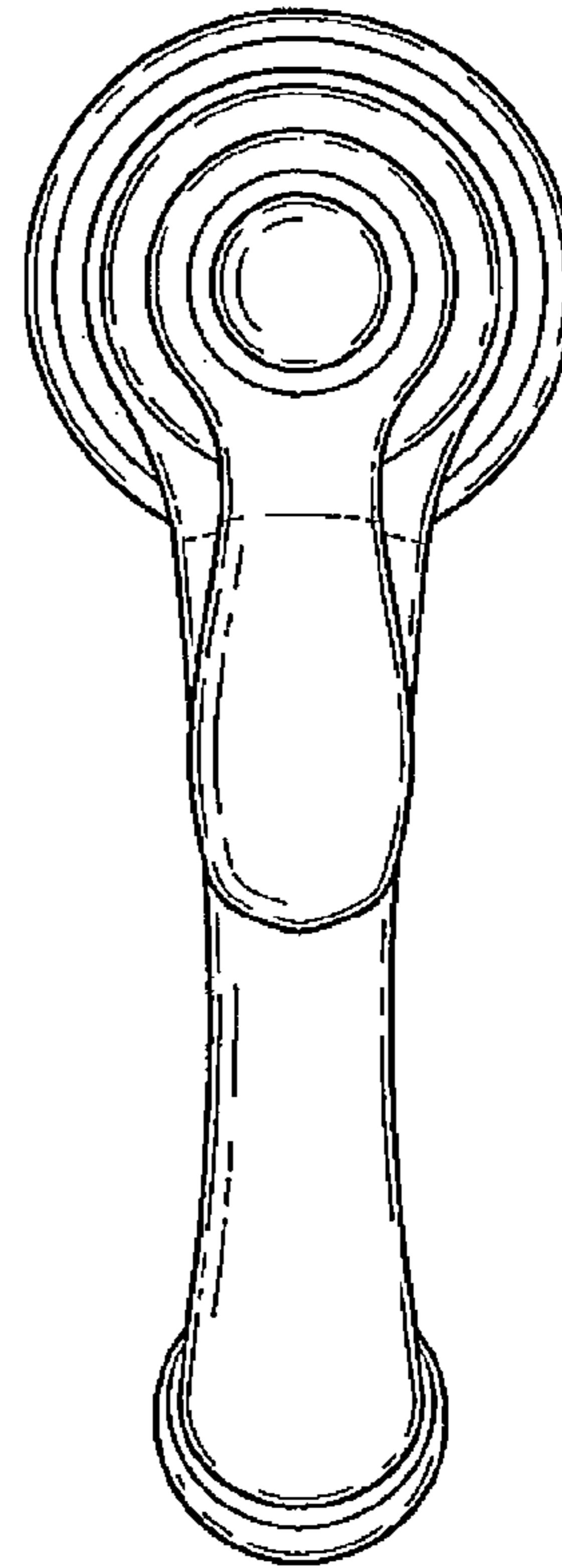


Fig-5

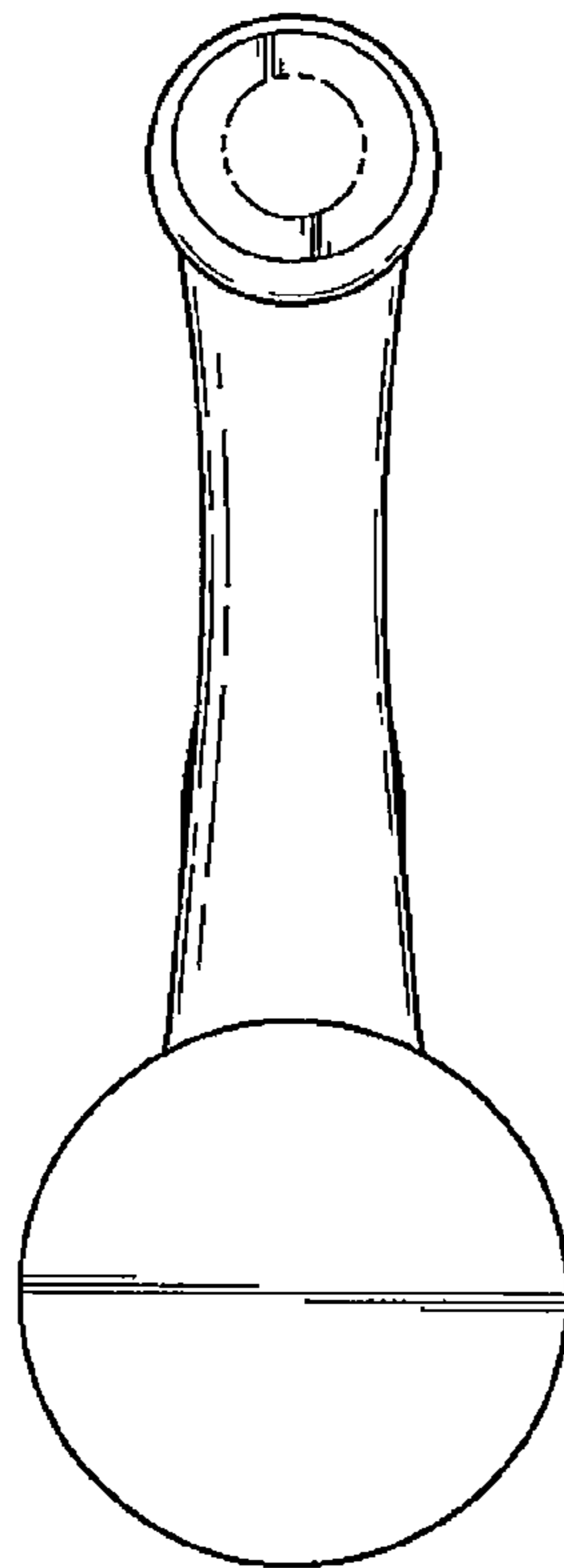


Fig-6