



US00D679366S

(12) **United States Design Patent**
Fuller

(10) **Patent No.:** **US D679,366 S**

(45) **Date of Patent:** **** Apr. 2, 2013**

(54) **MALE GAS CONNECTOR**

(75) Inventor: **Jody Fuller**, Merritt Island, FL (US)

(73) Assignee: **Geno LLC**, Cocoa, FL (US)

(**) Term: **14 Years**

(21) Appl. No.: **29/360,522**

(22) Filed: **Apr. 27, 2010**

(51) **LOC (9) Cl.** **23-01**

(52) **U.S. Cl.** **D23/247**

(58) **Field of Classification Search** D23/200,
D23/207, 209, 210, 233-237, 244-249, 259-269,
D23/310; 29/890.14, 890.141-890.145;
423/239.1

See application file for complete search history.

(56) **References Cited**

U.S. PATENT DOCUMENTS

D93,910 S * 11/1934 Camp D23/209
2,955,712 A * 10/1960 Gutkowski D23/209
D288,348 S * 2/1987 Maddock D23/207
D589,590 S * 3/2009 Bresolin D23/210

D614,257 S * 4/2010 Kojima D23/200
D656,578 S * 3/2012 Sherman et al. D23/209
D656,579 S * 3/2012 Sherman et al. D23/209
D657,399 S * 4/2012 Nemoto D23/235
2011/0203985 A1* 8/2011 Reid 210/236
2011/0262335 A1* 10/2011 Fuller et al. 423/239.1

* cited by examiner

Primary Examiner — Garth Rademaker

(74) *Attorney, Agent, or Firm* — Steptoe & Johnson LLP

(57) **CLAIM**

The ornamental design for a male gas connector, as shown and described.

DESCRIPTION

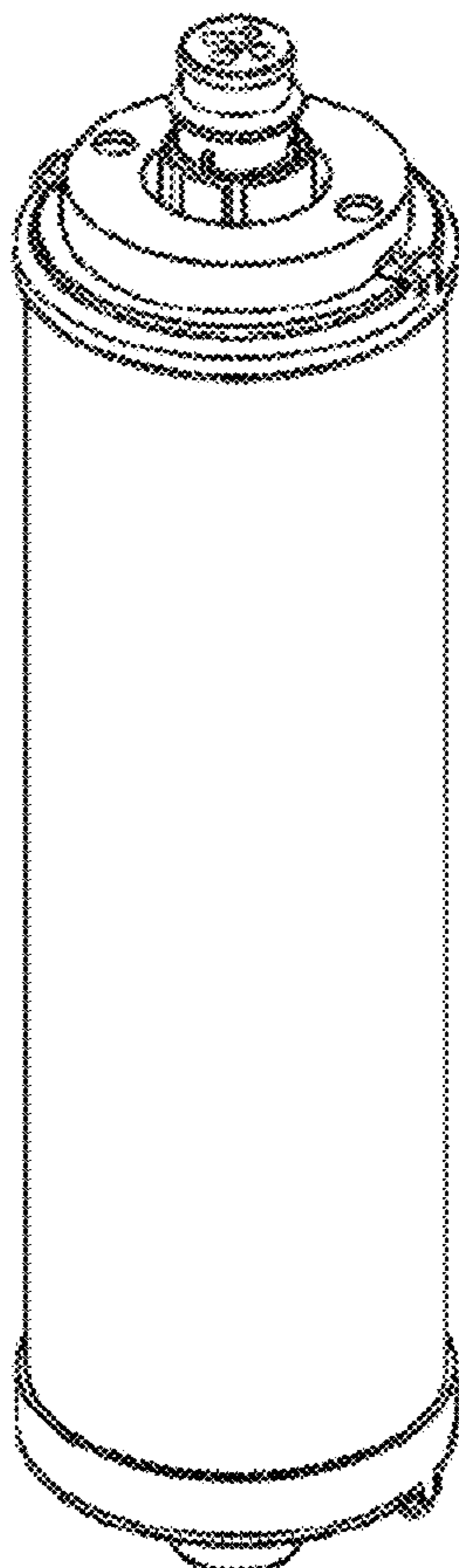
FIG. 1 is a perspective view of a male gas connector.

FIG. 2 is a front view of the male gas connector, shown at an enlarged scale.

FIG. 3 is a top view of the male gas connector, shown at a further enlarged scale; and,

FIG. 4 is a bottom view of the male gas connector, shown at a reduced scale.

1 Claim, 4 Drawing Sheets



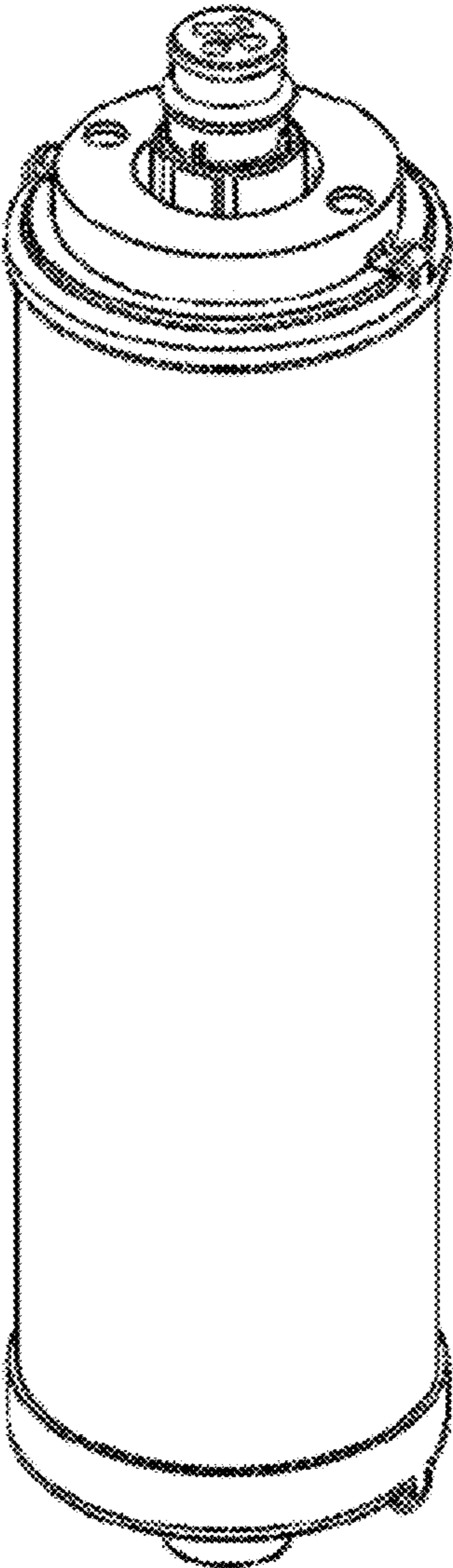


FIG. 1

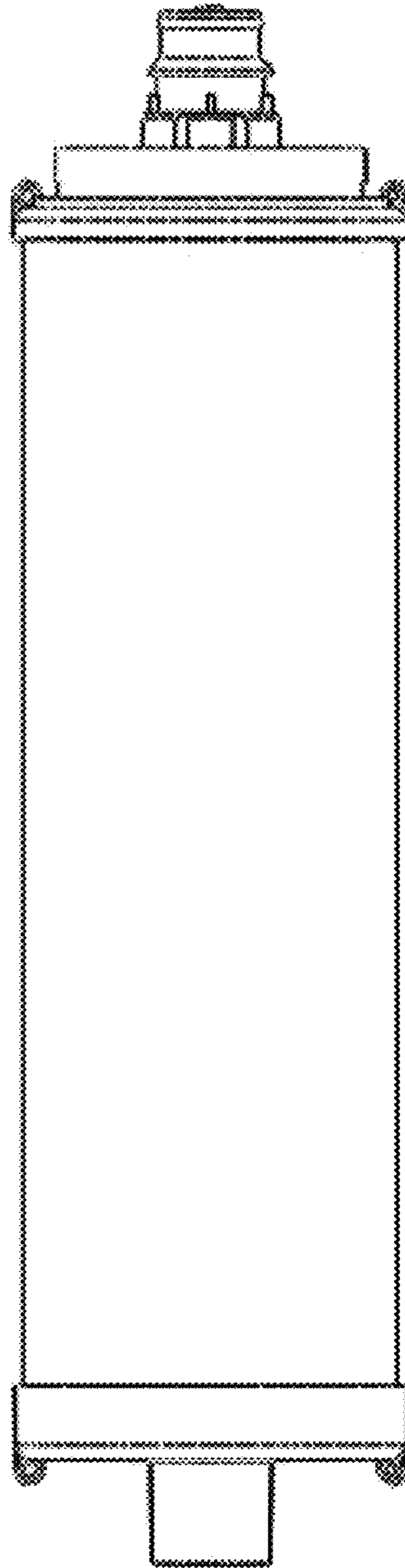


FIG. 2

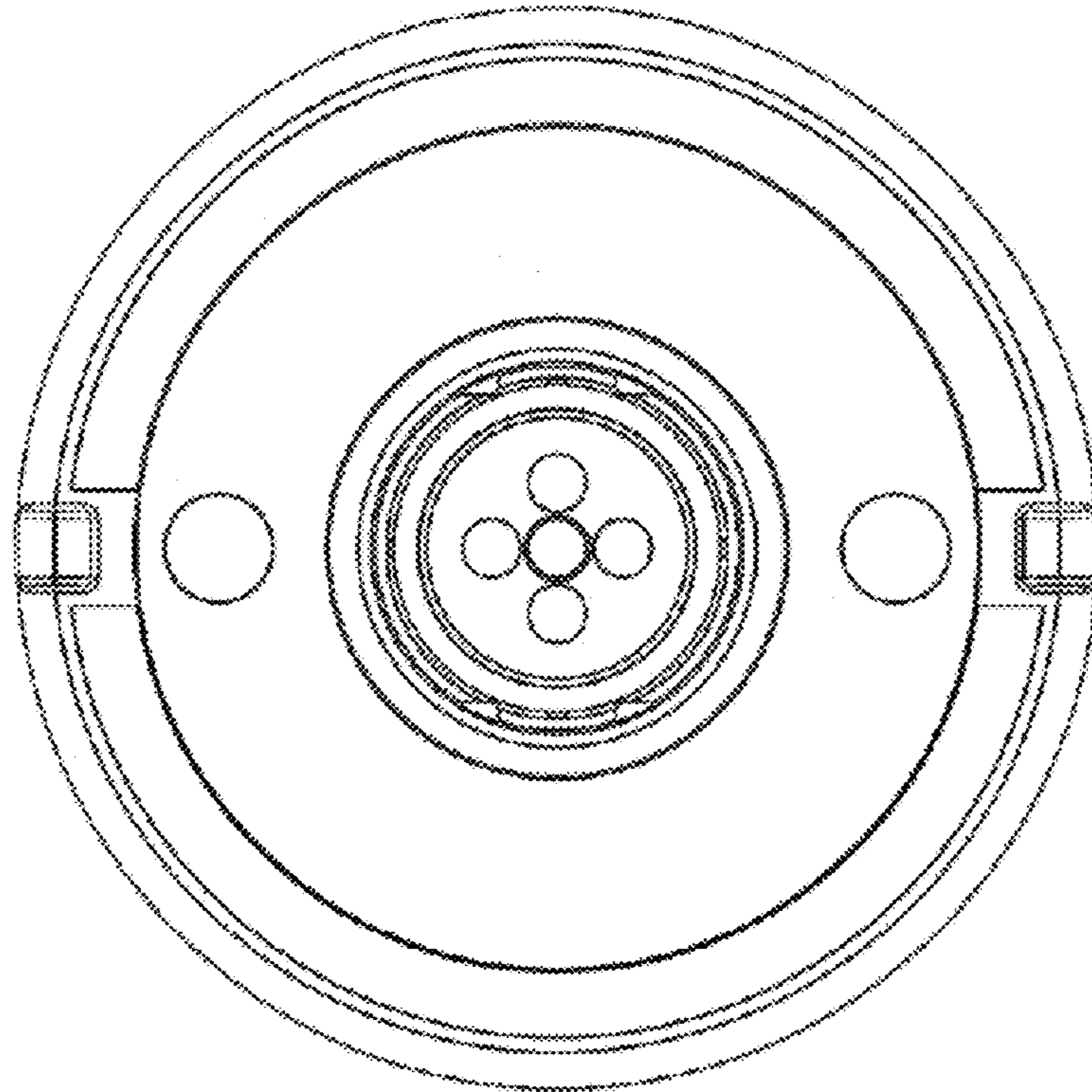


FIG. 3

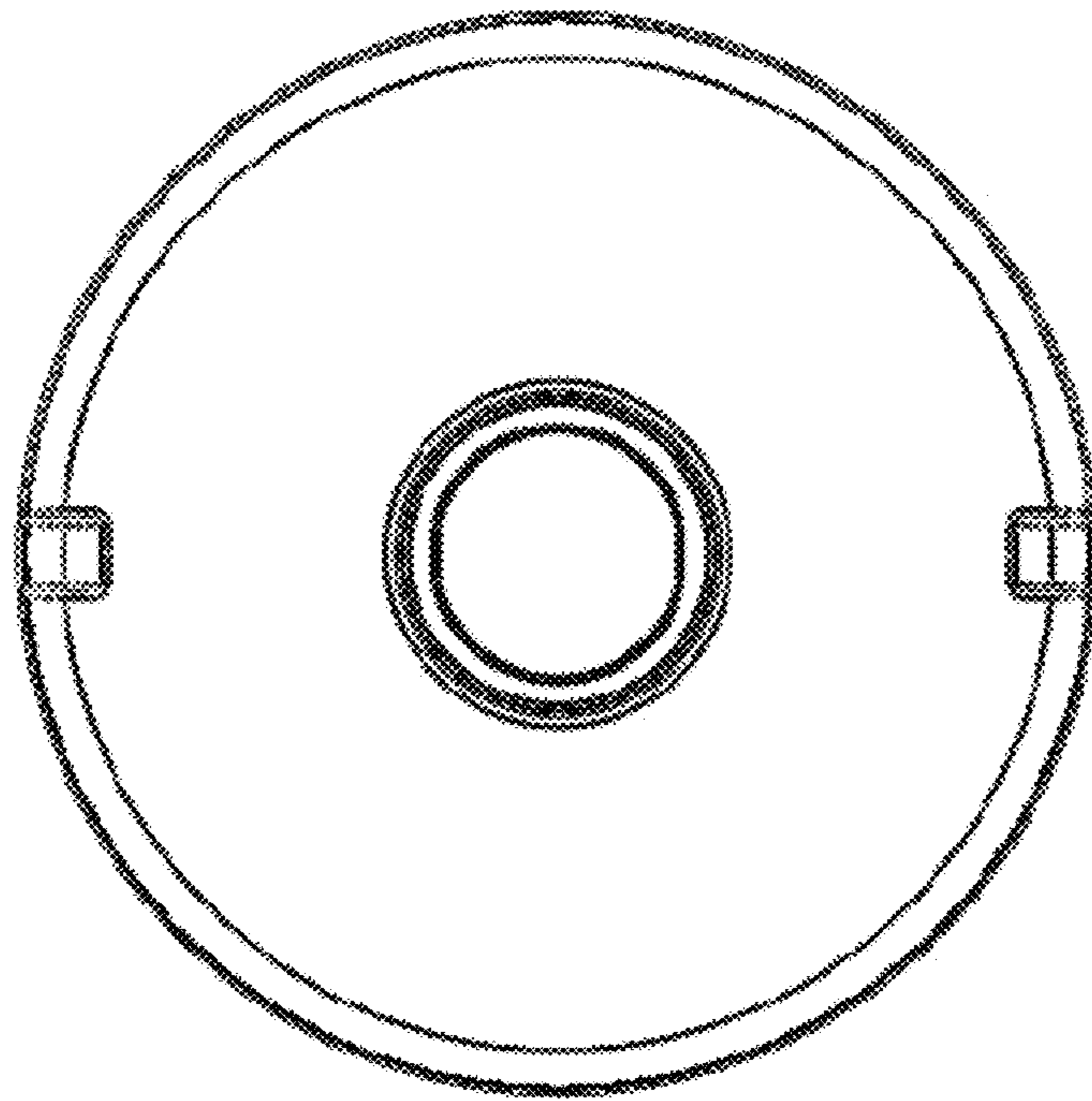


FIG. 4