



US00D679365S

(12) **United States Design Patent**
Liao

(10) **Patent No.:** **US D679,365 S**

(45) **Date of Patent:** **** Apr. 2, 2013**

(54) **FAUCET**

(75) Inventor: **Vincent Liao**, Guangzhou (CN)

(73) Assignee: **Masco Corporation of Indiana**,
Indianapolis, IN (US)

(**) Term: **14 Years**

(21) Appl. No.: **29/412,259**

(22) Filed: **Feb. 1, 2012**

(51) **LOC (9) Cl.** **23-01**

(52) **U.S. Cl.** **D23/242**

(58) **Field of Classification Search** D23/238,
D23/241-243, 250, 254-255, 257; 4/675-678;
137/801

See application file for complete search history.

(56) **References Cited**

U.S. PATENT DOCUMENTS

D655,788 S *	3/2012	Obara et al.	D23/242
D657,019 S *	4/2012	Padgett	D23/242
D666,698 S *	9/2012	Liao	D23/252
D667,086 S *	9/2012	Kwok	D23/238

* cited by examiner

Primary Examiner — Robert Delehanty

(74) *Attorney, Agent, or Firm* — Edgar A. Zarins; Nirav D. Parikh; Lora J. Graentzdoerffer

(57) **CLAIM**

The ornamental design for a faucet, as shown and described.

DESCRIPTION

FIG. 1 is a perspective view of a faucet showing my new design;

FIG. 2 is a first side view thereof, the opposite side being a mirror image of the side shown;

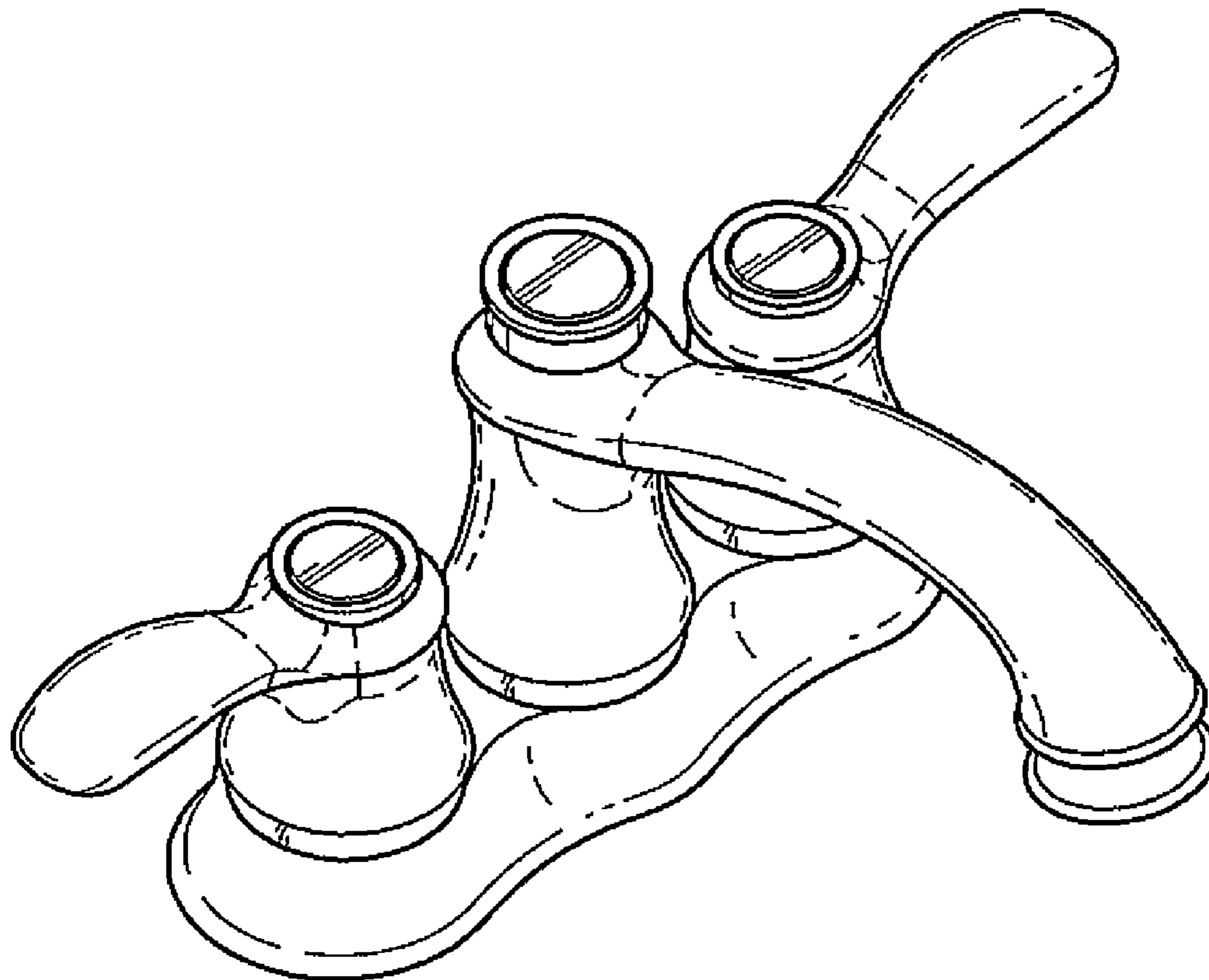
FIG. 3 is a front elevational view thereof;

FIG. 4 is a rear view thereof;

FIG. 5 is a top plan view thereof; and,

FIG. 6 is a bottom view thereof.

1 Claim, 2 Drawing Sheets



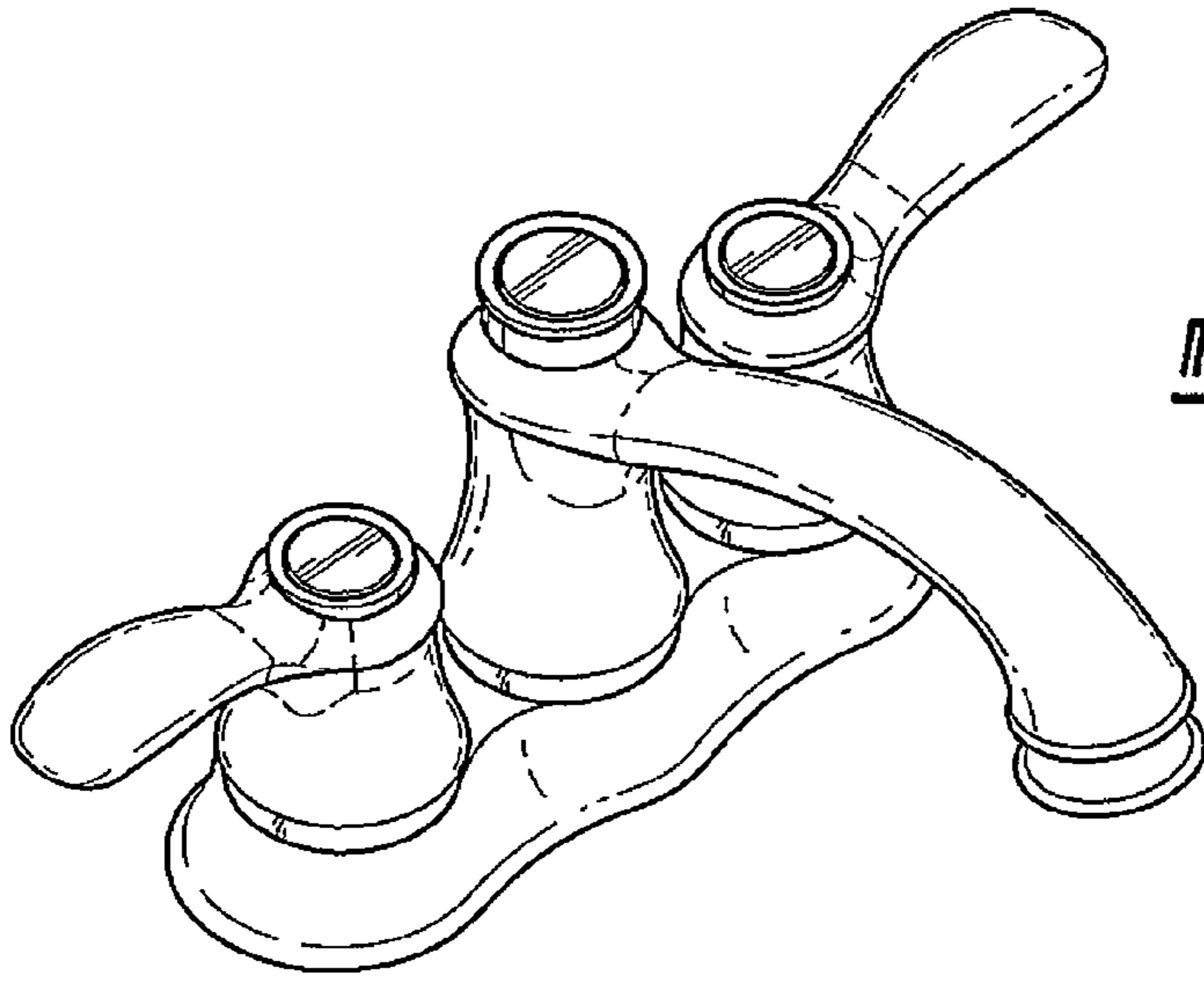


Fig-1

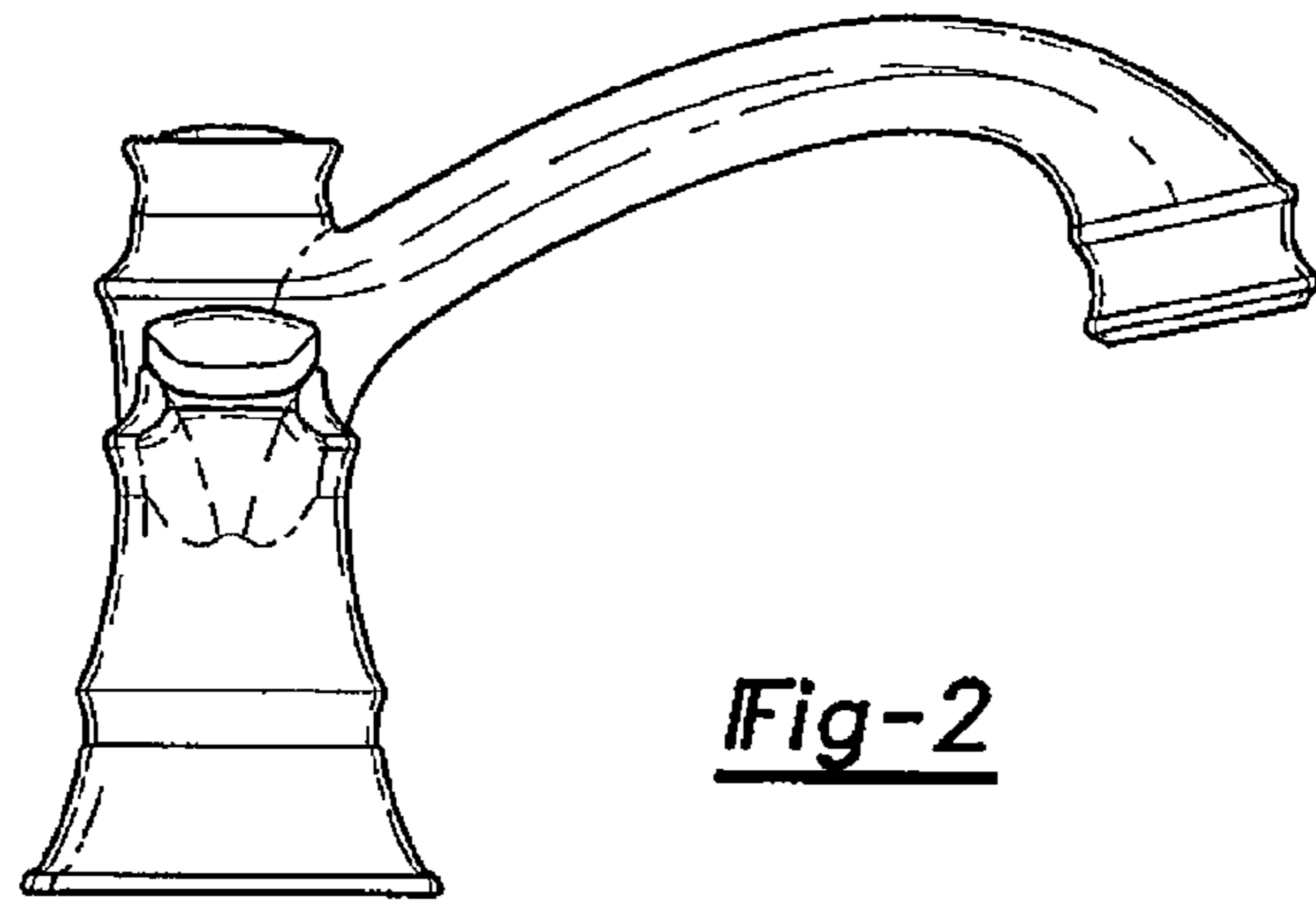


Fig-2

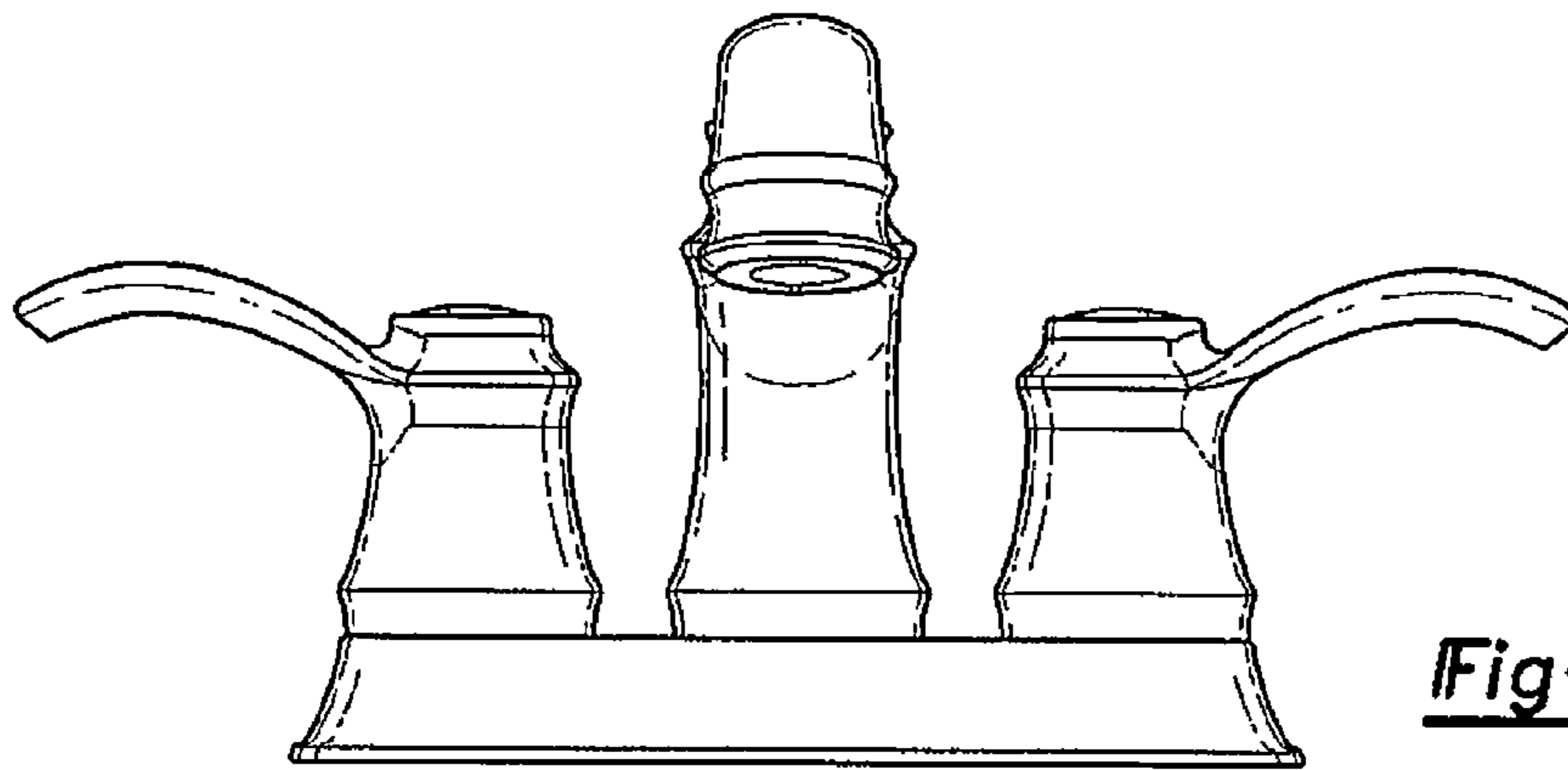


Fig-3

