



US00D679364S

(12) **United States Design Patent**  
**Wierzbicki**

(10) **Patent No.:** **US D679,364 S**

(45) **Date of Patent:** **\*\* Apr. 2, 2013**

(54) **HOUSING FOR A CHLORINATOR CELL**

(75) Inventor: **Dominic Wierzbicki**, North Sunshine (AU)

(73) Assignee: **Davey Water Products Pty Ltd**, Tottenham, Victoria (AU)

(\*\*) Term: **14 Years**

(21) Appl. No.: **29/371,410**

(22) Filed: **Feb. 16, 2011**

(30) **Foreign Application Priority Data**

Dec. 3, 2010 (AU) ..... 15323/2010

(51) **LOC (9) Cl.** ..... **23-01**

(52) **U.S. Cl.** ..... **D23/207; D23/208**

(58) **Field of Classification Search** ..... D23/207-209; 210/167.1, 167.11, 167.01, 167.03, 198.1  
See application file for complete search history.

(56) **References Cited**

**U.S. PATENT DOCUMENTS**

- 3,846,078 A \* 11/1974 Brett ..... 422/264
- 4,067,808 A \* 1/1978 Phillips ..... 210/167.11
- 5,384,102 A \* 1/1995 Ferguson et al. .... 422/264
- 5,407,567 A \* 4/1995 Newhard ..... 210/198.1
- 5,932,093 A \* 8/1999 Chulick ..... 210/167.11
- 6,033,560 A \* 3/2000 Kisner ..... 210/167.11

- D422,676 S \* 4/2000 Conover et al. .... D23/208
- 6,287,466 B1 \* 9/2001 Yassin ..... 210/198.1
- D476,057 S \* 6/2003 Nguyen et al. .... D23/208
- D540,906 S \* 4/2007 Hardwick ..... D23/208
- D621,902 S \* 8/2010 Mercer ..... D23/208
- D629,065 S \* 12/2010 Rossano et al. .... D23/208
- D649,622 S \* 11/2011 Palmer ..... D23/208

\* cited by examiner

*Primary Examiner* — Robin V Webster

(74) *Attorney, Agent, or Firm* — Jacobson Holman PLLC

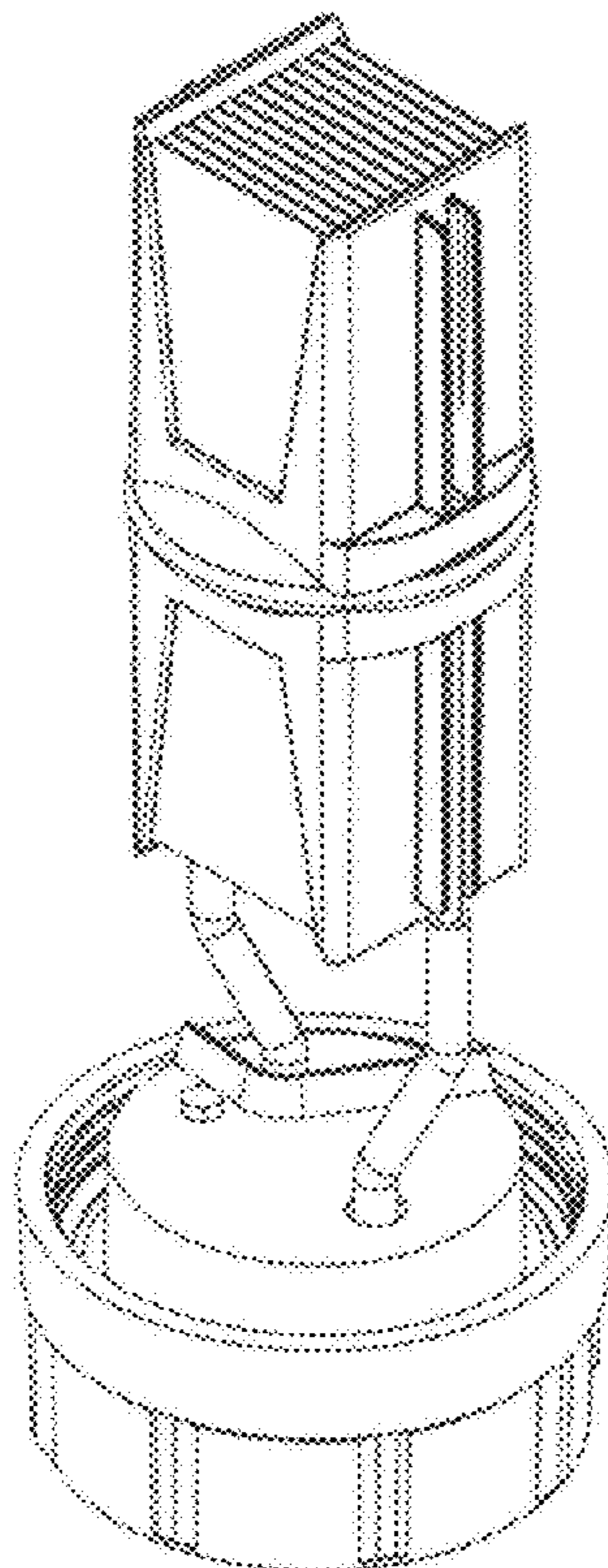
(57) **CLAIM**

The ornamental design for a housing for a chlorinator cell, as shown and described.

**DESCRIPTION**

FIG. 1 is a isometric view of the housing for a chlorinator cell; FIG. 2 is a plan view of the housing for a chlorinator cell of FIG. 1; FIG. 3 is a inverted plan view of the housing for a chlorinator cell of FIG. 1; FIG. 4 is a front view of the housing for a chlorinator cell of FIG. 1; FIG. 5 is a rear view of the housing for a chlorinator cell of FIG. 1; FIG. 6 is a side view of the housing for a chlorinator cell of FIG. 1; and, FIG. 7 is a other side view of the housing for a chlorinator cell of FIG. 1.

**1 Claim, 2 Drawing Sheets**



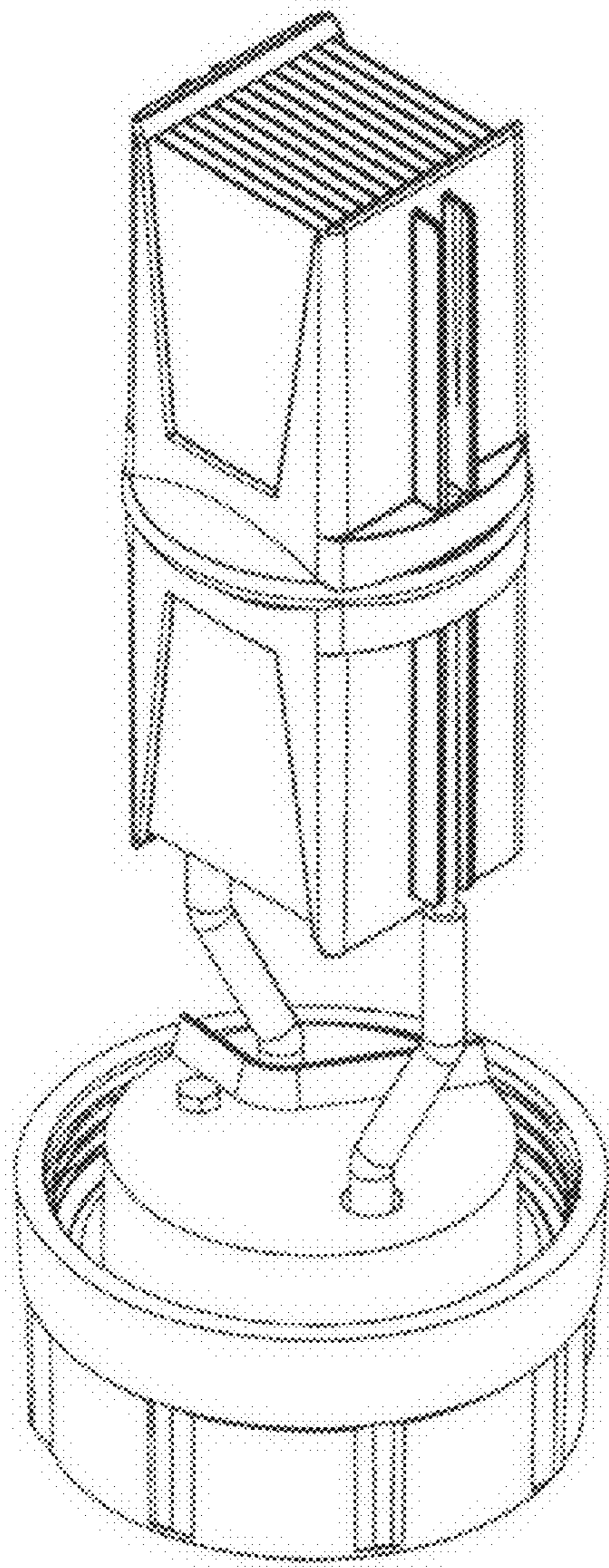


FIG 1

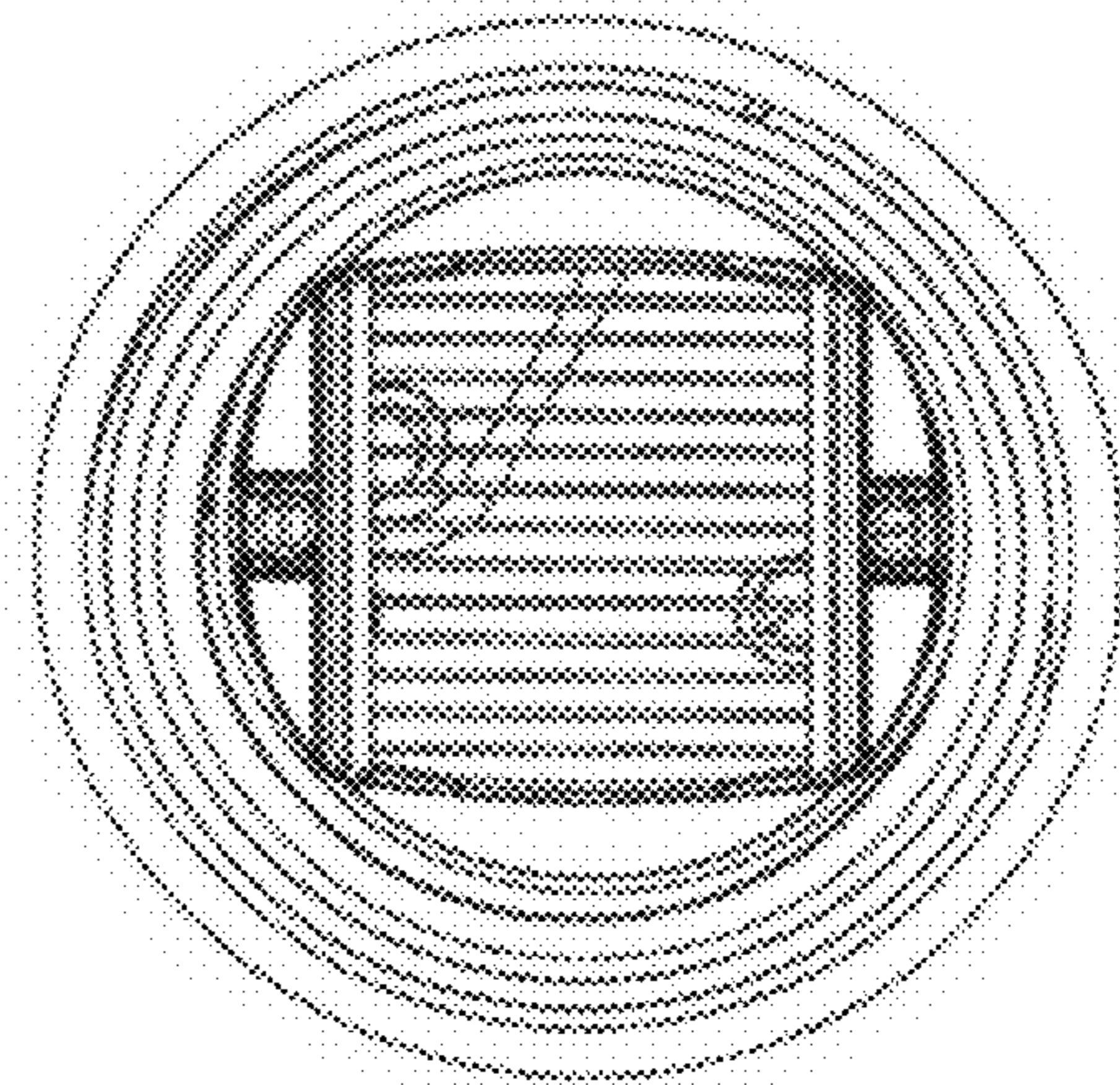


FIG 2

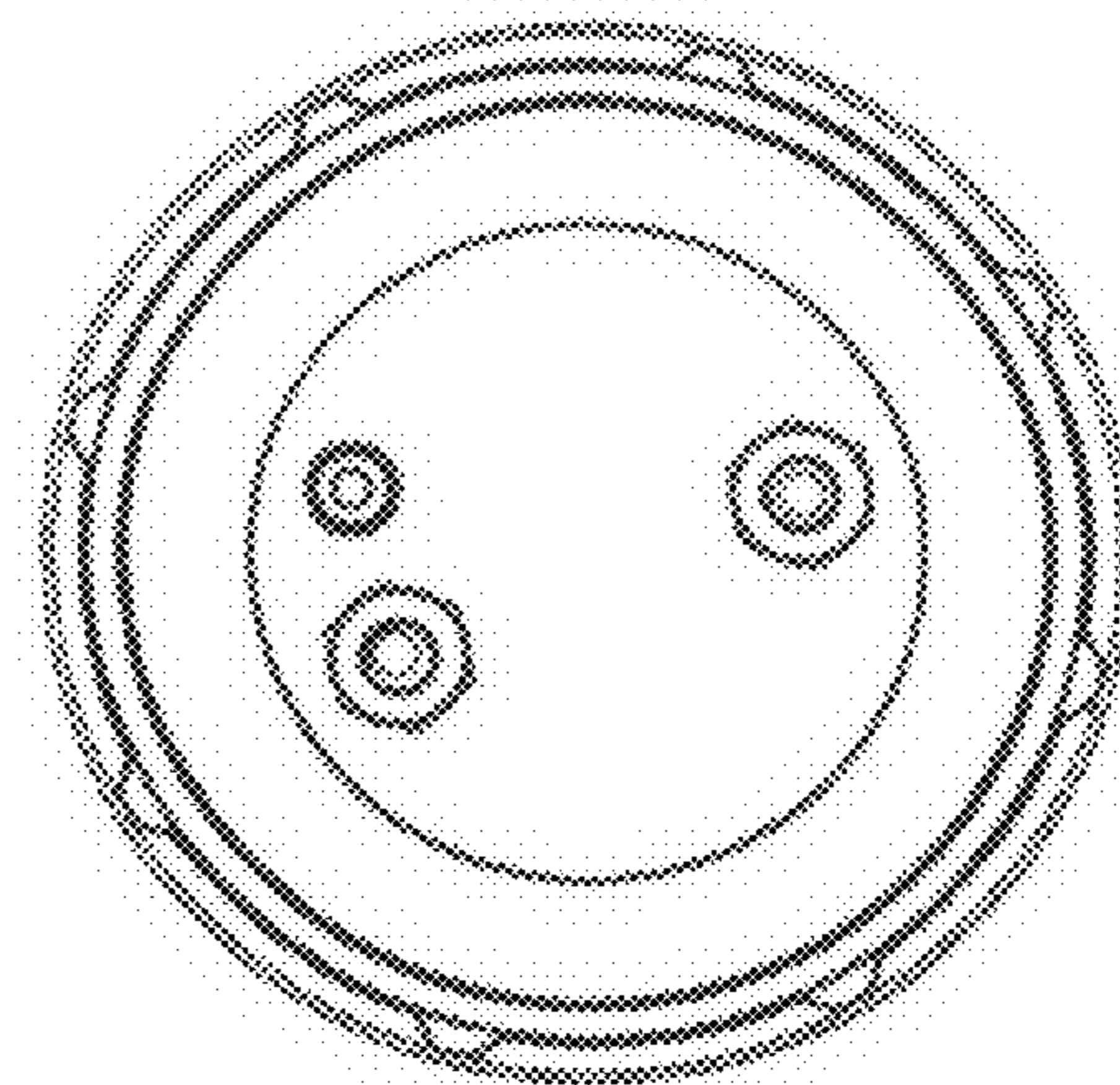


FIG 3

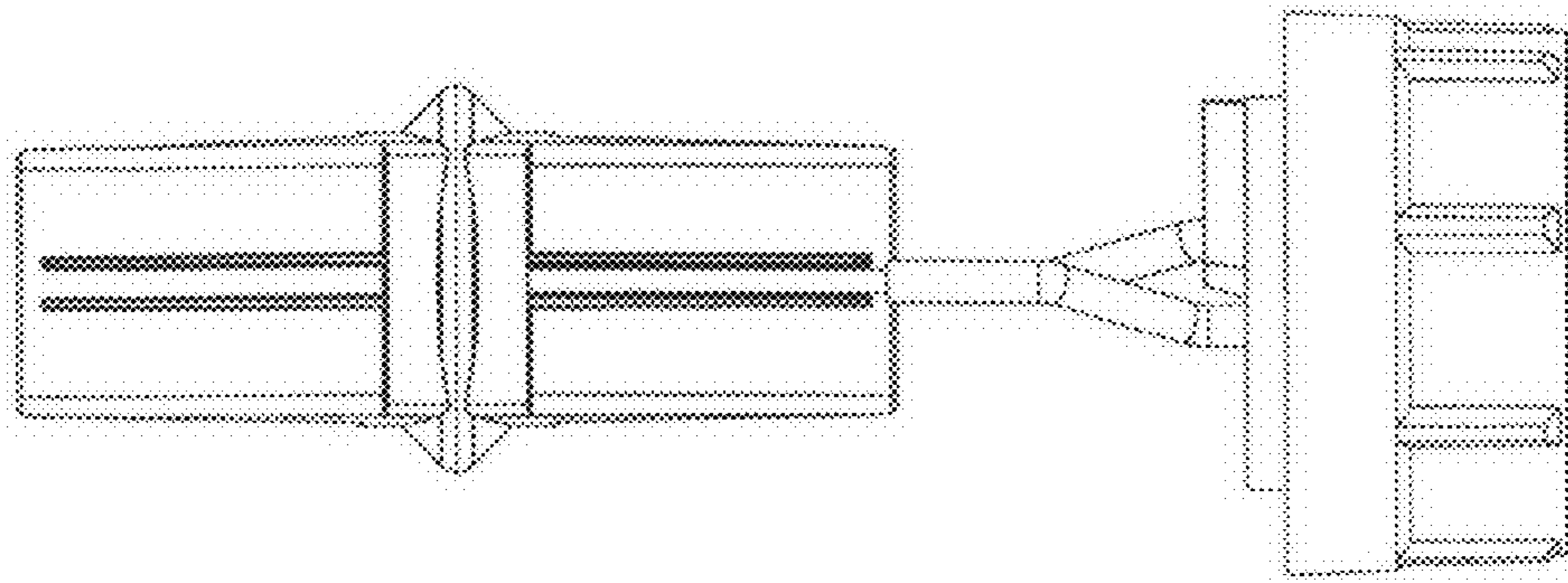


FIG 7

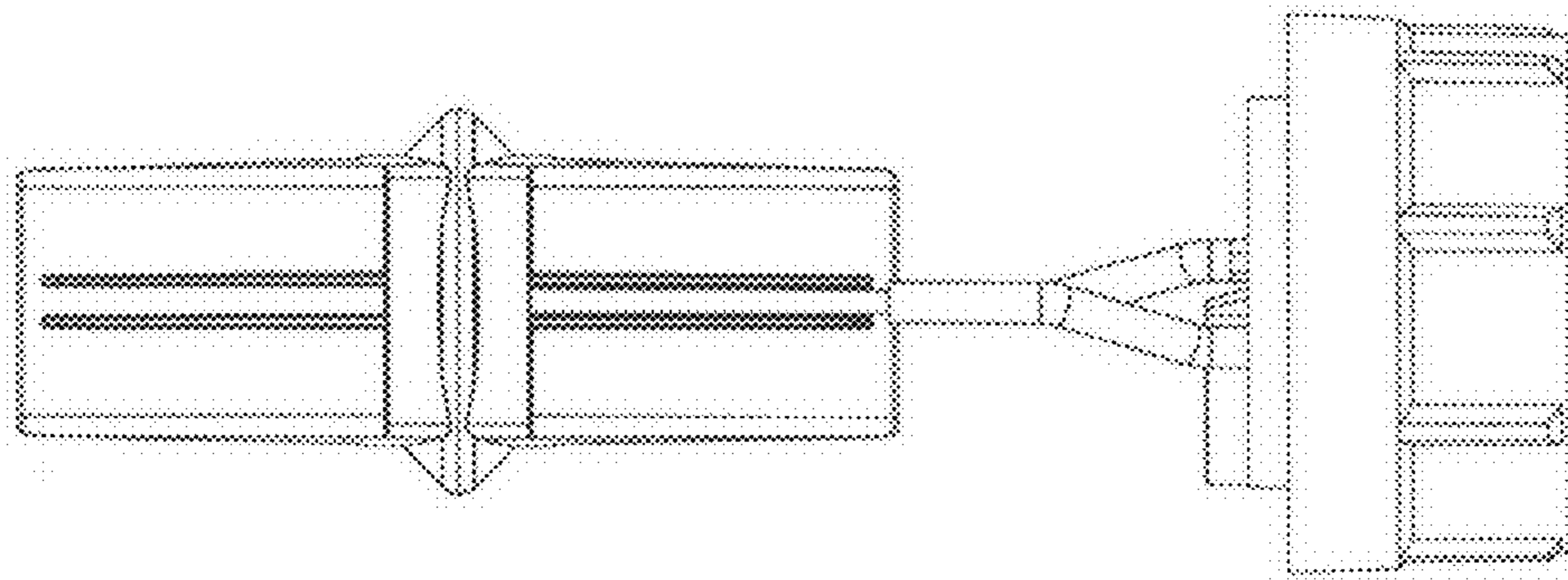


FIG 6

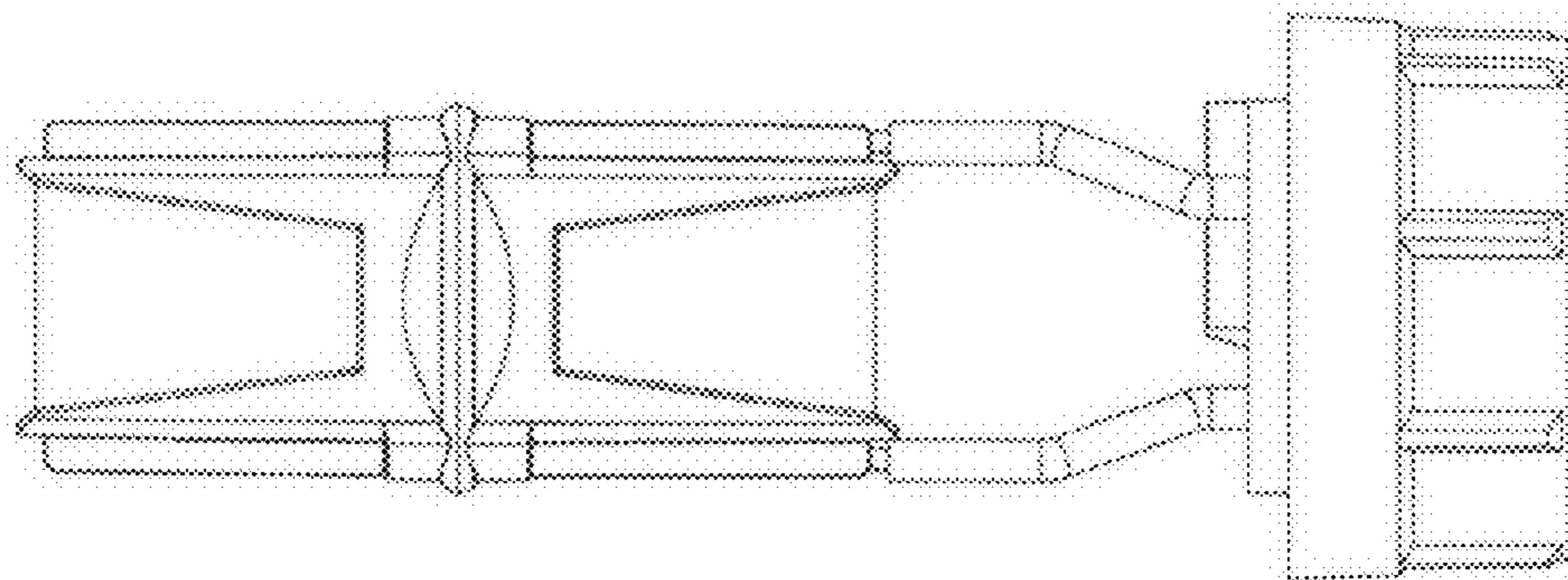


FIG 5

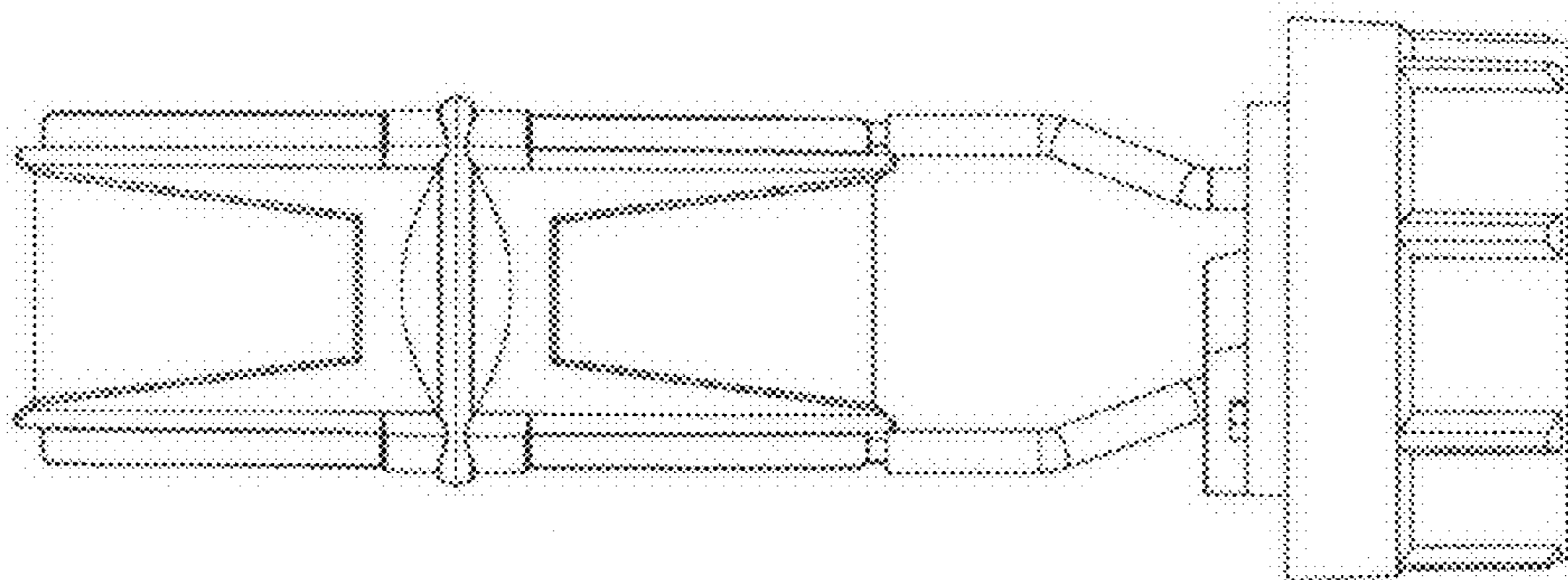


FIG 4