



US00D679363S

(12) **United States Design Patent**
Loehlein et al.

(10) **Patent No.:** **US D679,363 S**

(45) **Date of Patent:** **** *Apr. 2, 2013**

(54) **SLUSH PUSHING TOOL**

(76) Inventors: **Ken Loehlein**, Albany, MN (US);
Thomas Midas, Oak Park Heights, MN (US)

(*) Notice: This patent is subject to a terminal disclaimer.

(**) Term: **14 Years**

(21) Appl. No.: **29/407,867**

(22) Filed: **Dec. 2, 2011**

(51) **LOC (9) Cl.** **22-05**

(52) **U.S. Cl.** **D22/134**

(58) **Field of Classification Search** D22/134-135,
D22/149, 199; 43/4-5; 294/2, 24, 26
See application file for complete search history.

(56) **References Cited**

U.S. PATENT DOCUMENTS

3,747,253	A *	7/1973	Gangi et al.	43/4
4,769,939	A *	9/1988	Gonska et al.	43/4
D460,993	S *	7/2002	Smith	D22/134

* cited by examiner

Primary Examiner — Catheri Oliver-Garcia

(74) *Attorney, Agent, or Firm* — QuickPatents; Kevin Prince

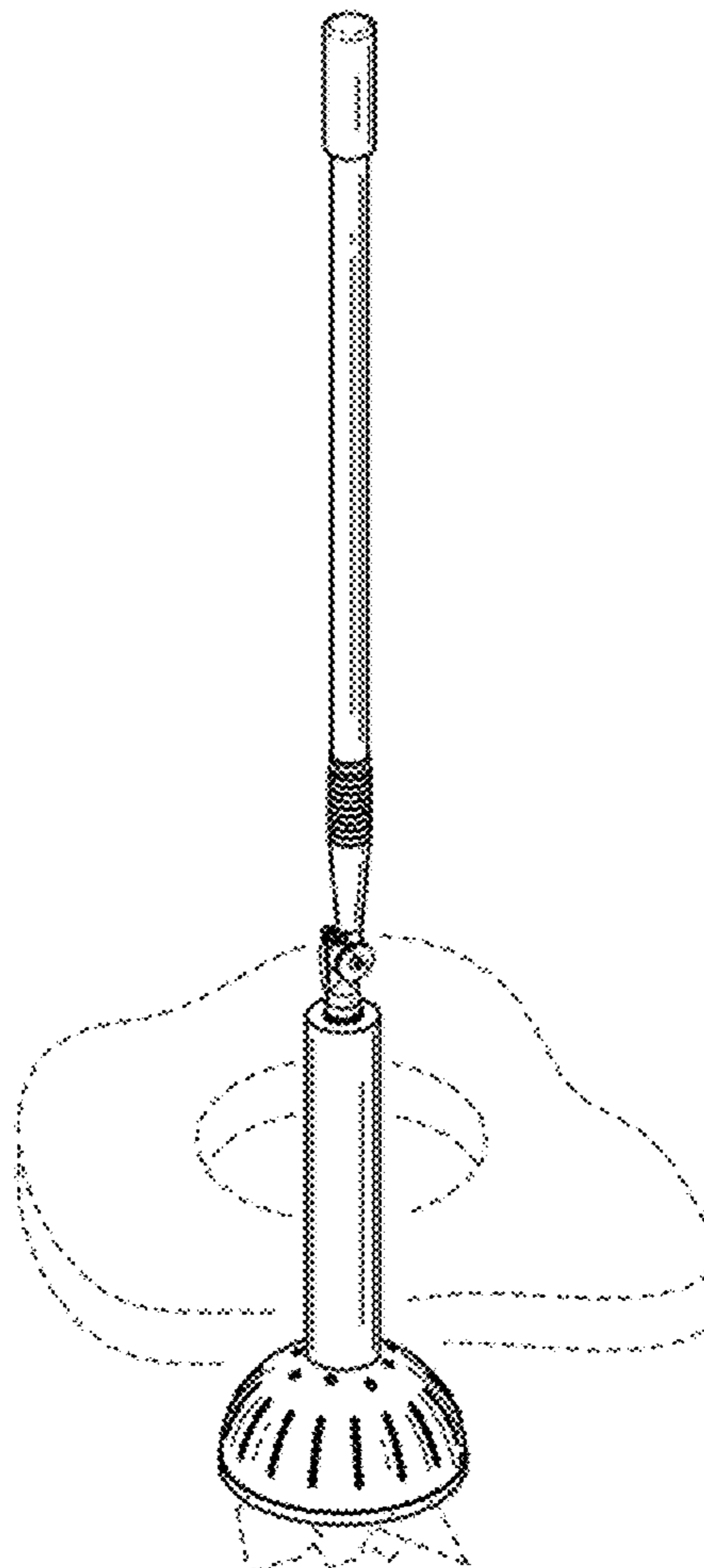
(57) **CLAIM**

We claim the ornamental design for a slush pushing tool, as shown and described.

DESCRIPTION

FIG. 1 is a perspective view of a slush pushing tool, showing our new design in a straight configuration; FIG. 2 is a bottom plan view of FIG. 1; FIG. 3 is a top plan view of FIG. 1; FIG. 4 is a left-side elevational view thereof; FIG. 5 is a front elevational view thereof; FIG. 6 is a right-side elevational view thereof; FIG. 7 is a rear elevational view thereof; FIG. 8 is a perspective view thereof, illustrated in a pivoted configuration; and, FIG. 9 is a left-side elevational view of FIG. 8. The broken lines showing a sheet of ice with an aperture therethrough and ice slush in FIGS. 1 and 8 depict environmental matter and form no part of the claimed design.

1 Claim, 3 Drawing Sheets



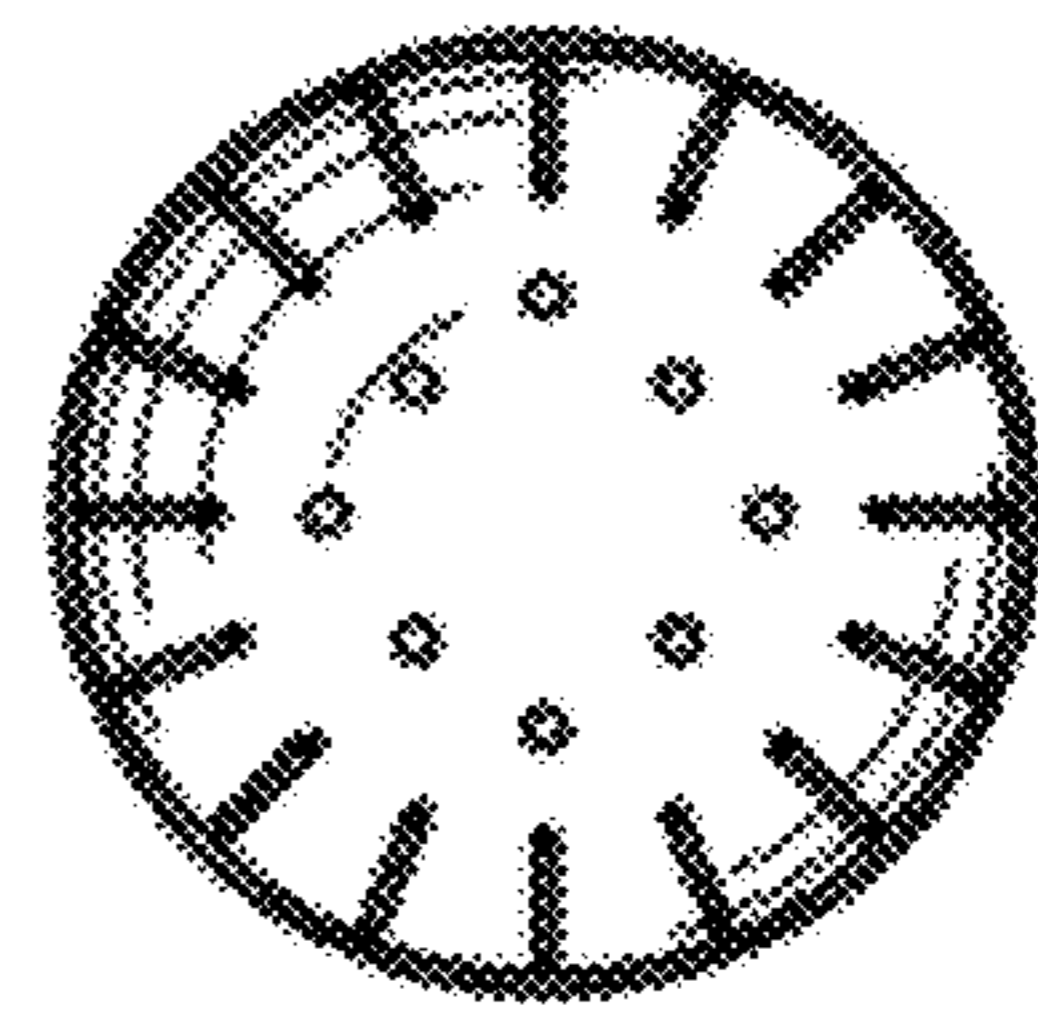
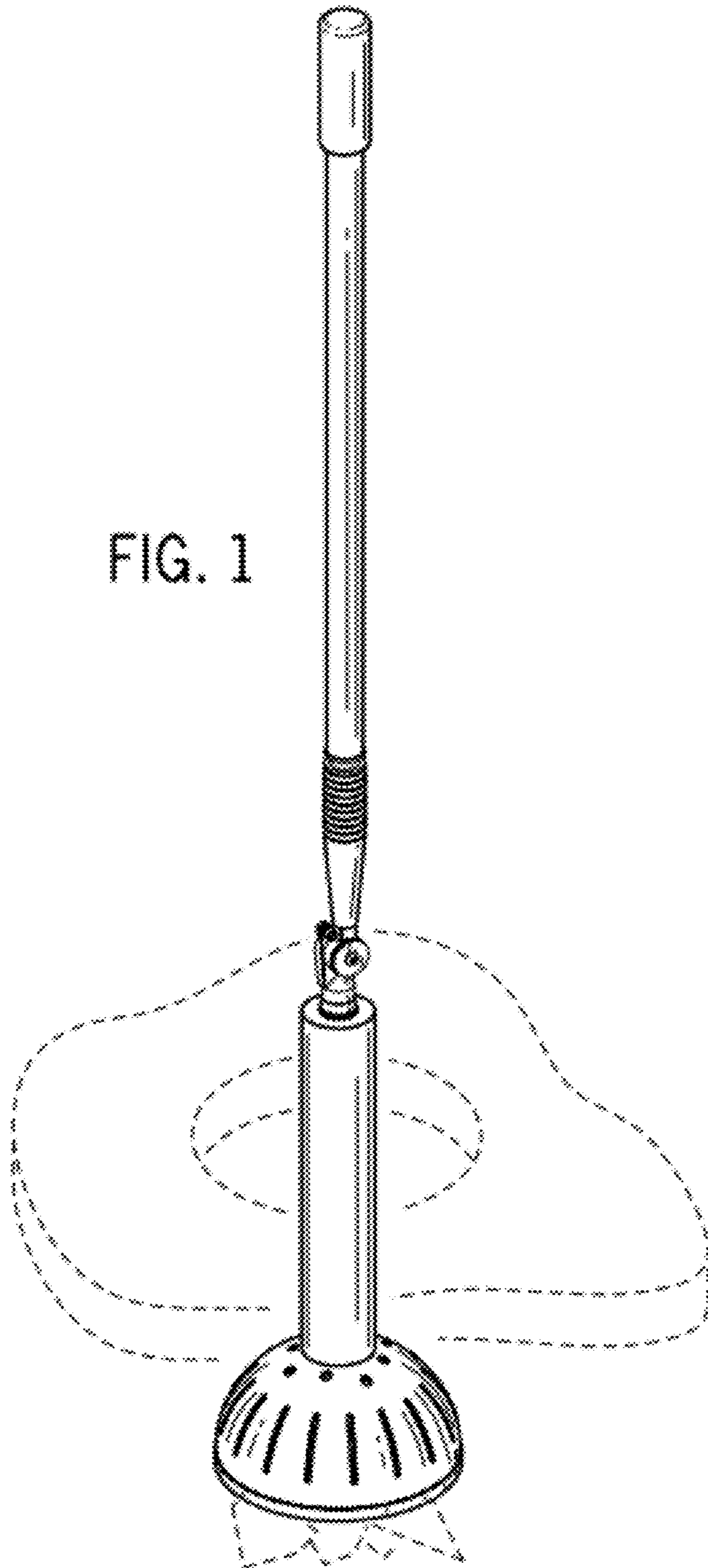


FIG. 2

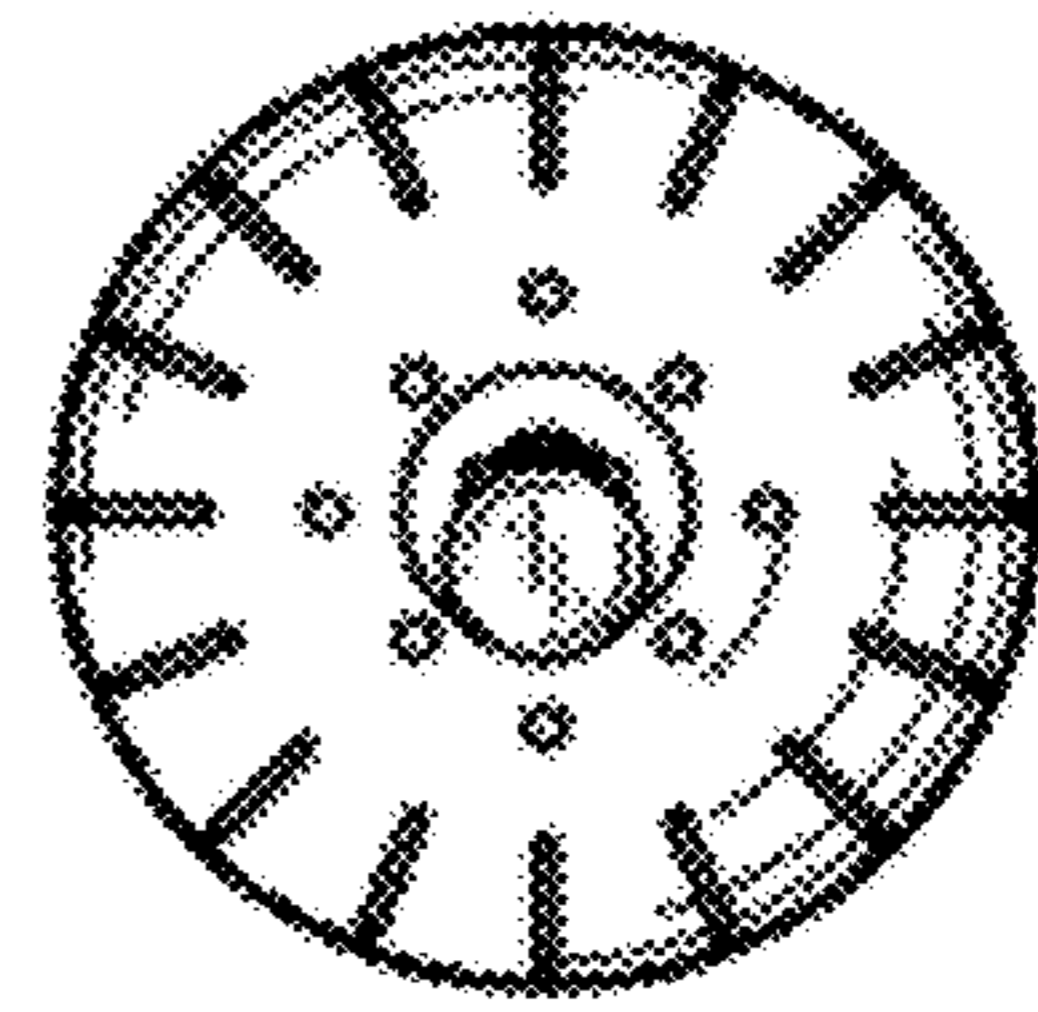
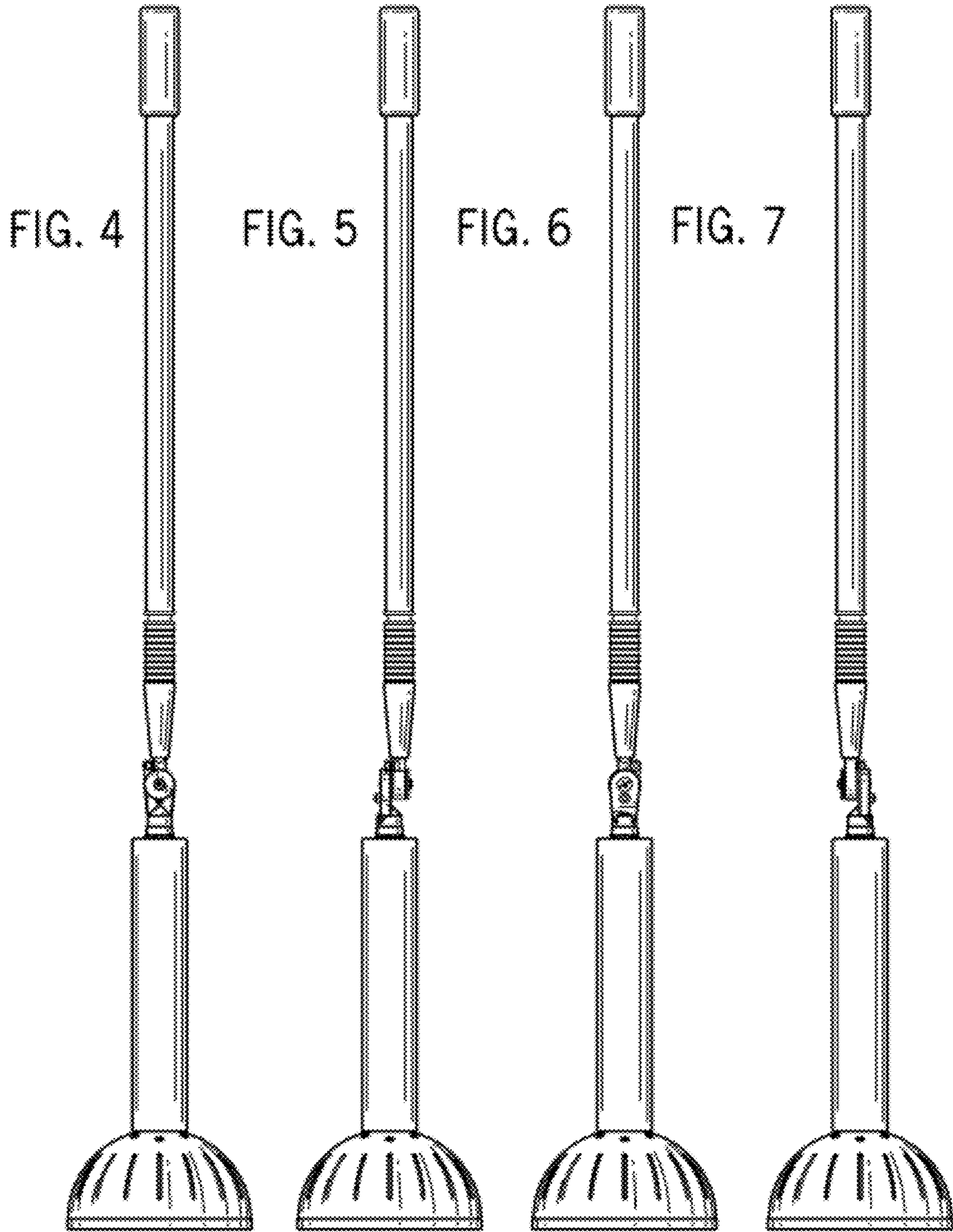


FIG. 3



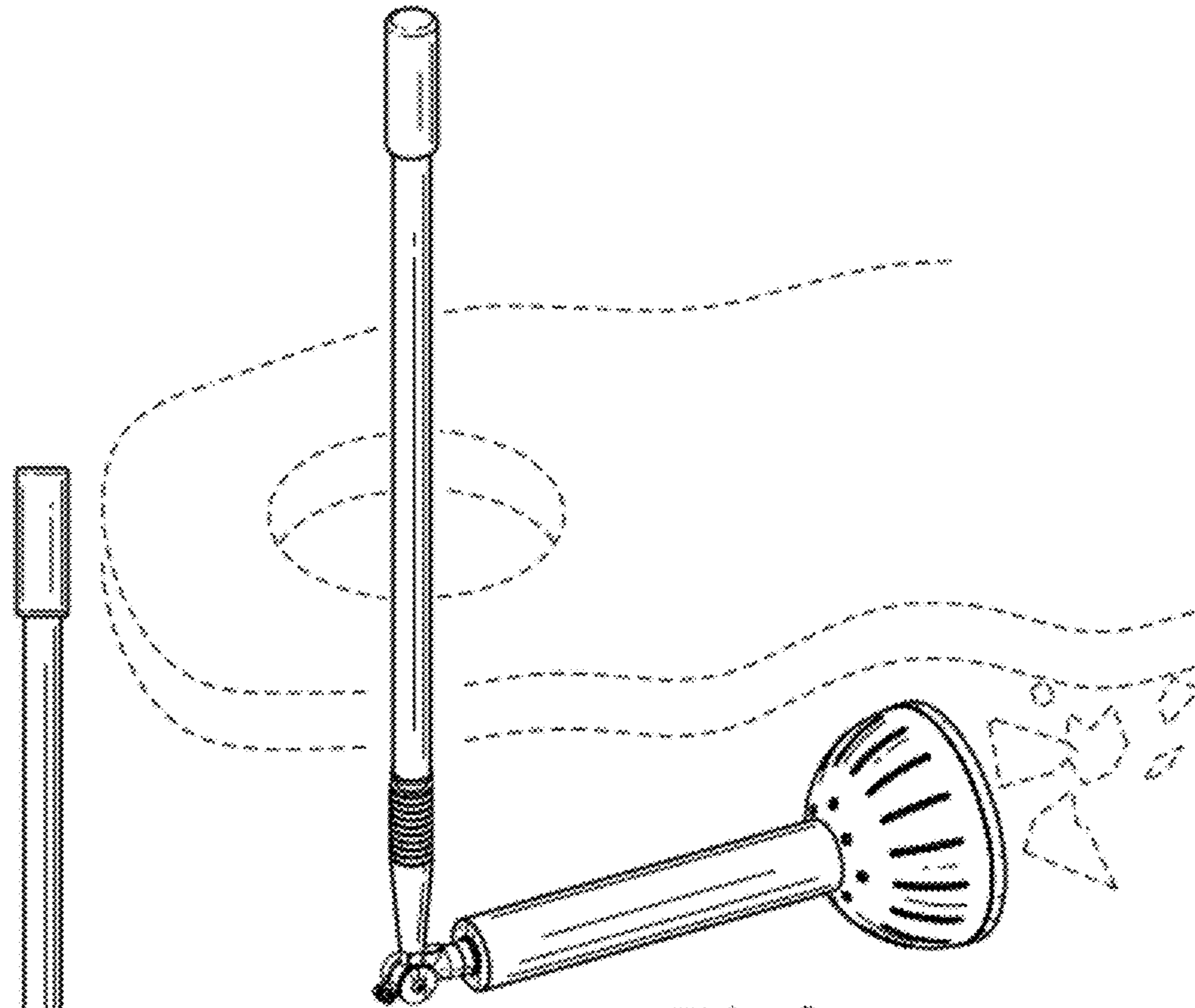


FIG. 8

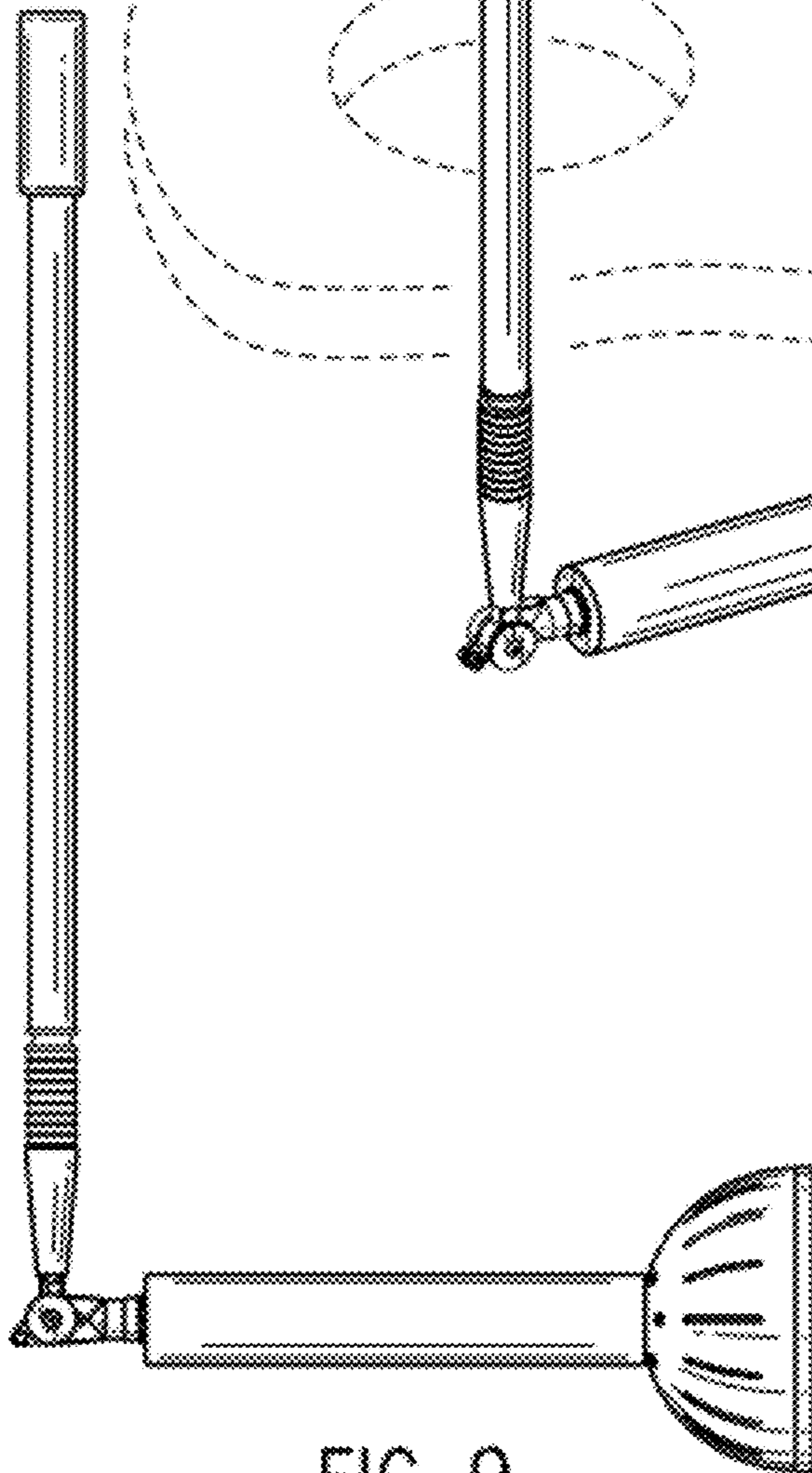


FIG. 9