



US00D679358S

(12) **United States Design Patent**
Canterbury

(10) **Patent No.:** **US D679,358 S**

(45) **Date of Patent:** **** Apr. 2, 2013**

(54) **COMPACT HUNTING DEVICE**

(75) Inventor: **Jimmy Canterbury**, Indianapolis, IN
(US)

(73) Assignee: **The Pathfinder School**, Indianapolis, IN
(US)

(**) Term: **14 Years**

(21) Appl. No.: **29/408,274**

(22) Filed: **Dec. 9, 2011**

(51) **LOC (9) Cl.** **22-01**

(52) **U.S. Cl.** **D22/107**

(58) **Field of Classification Search** D22/117;
124/20.1-20.3; D21/301

See application file for complete search history.

(56) **References Cited**

U.S. PATENT DOCUMENTS

| | | | | |
|-----------|-----|---------|-----------|----------|
| 2,808,043 | A | 10/1957 | Lombard | |
| 3,018,770 | A | 1/1962 | Saunders | |
| 3,306,278 | A | 2/1967 | Spatari | |
| 3,407,798 | A * | 10/1968 | Rock | 124/20.2 |
| 3,511,221 | A * | 5/1970 | Saunders | 124/20.1 |
| 3,517,657 | A | 6/1970 | Alban | |
| 3,614,947 | A * | 10/1971 | Feldman | 124/20.3 |
| 4,307,699 | A | 12/1981 | Cuesta | |
| 4,437,449 | A | 3/1984 | Attanasio | |
| 4,873,963 | A | 10/1989 | Lemmen | |
| 4,877,007 | A | 10/1989 | Olson | |
| 5,243,955 | A | 9/1993 | Farless | |
| 5,493,807 | A | 2/1996 | Sullins | |

| | | | | |
|-----------|------|---------|-----------|----------|
| 5,579,751 | A * | 12/1996 | Lin | 124/20.1 |
| 5,762,056 | A | 6/1998 | Kysilka | |
| 5,894,672 | A | 4/1999 | Ellenburg | |
| 6,209,531 | B1 * | 4/2001 | Boon | 124/20.1 |
| 6,286,495 | B1 | 9/2001 | Brown | |
| 6,418,632 | B1 | 7/2002 | Kalfayan | |
| D471,615 | S | 3/2003 | Kysilka | |
| 6,786,213 | B1 * | 9/2004 | Lee | 124/20.1 |
| 7,059,314 | B1 | 6/2006 | Teague | |
| 7,543,579 | B2 * | 6/2009 | Chang | 124/20.2 |

* cited by examiner

Primary Examiner — Michael A Pratt

(74) *Attorney, Agent, or Firm* — D'Hue Law LLC; Cedric A. D'Hue

(57) **CLAIM**

The ornamental design for a compact hunting device, as shown and described.

DESCRIPTION

FIG. 1 is a perspective view of a hunting component showing my new design;

FIG. 2 is a front view thereof;

FIG. 3 is a side view thereof;

FIG. 4 is a rear view thereof;

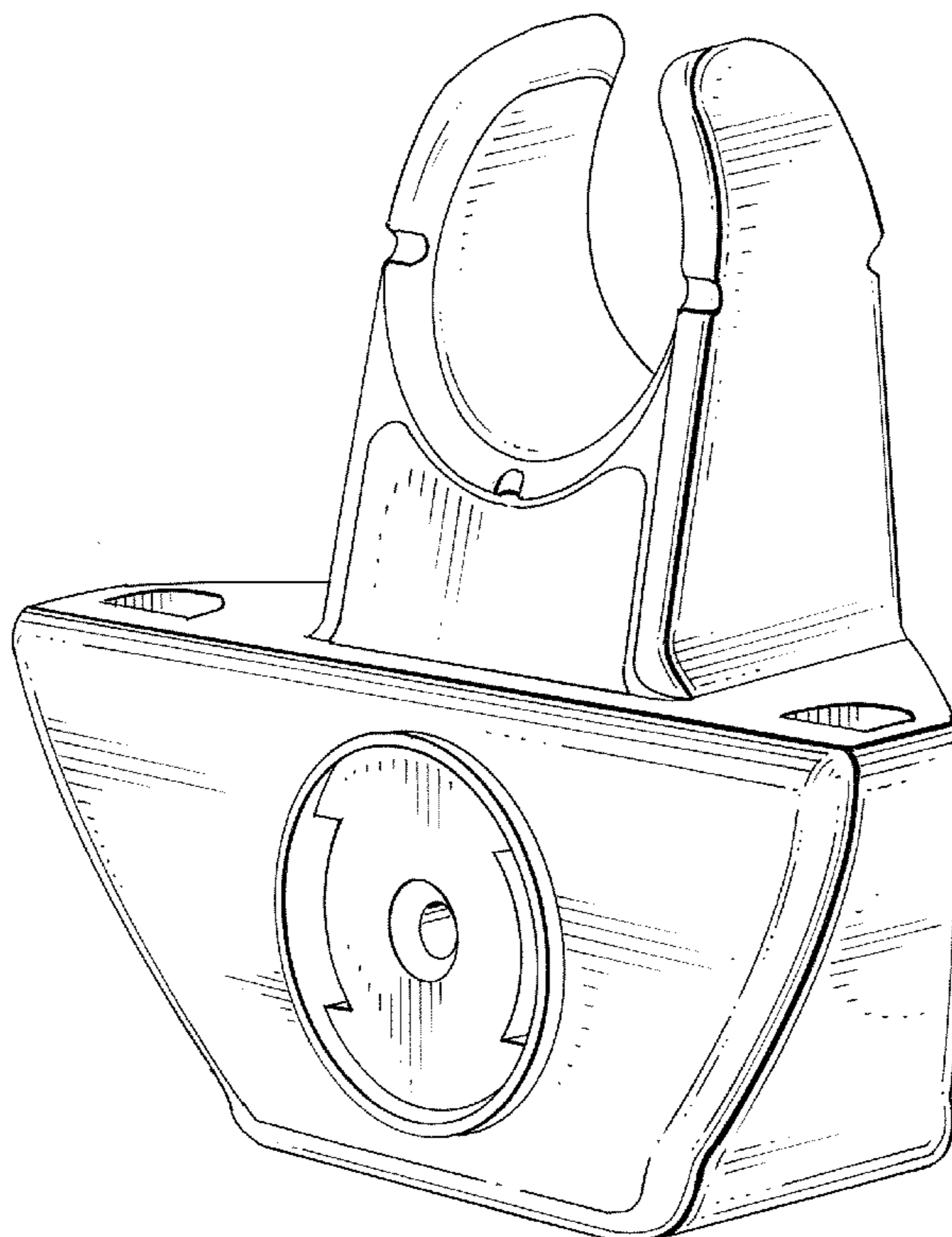
FIG. 5 is a side view thereof;

FIG. 6 is a top view thereof; and;

FIG. 7 is a bottom view thereof.

The broken lines in FIGS. 2, 6, and 7 are included for the purpose of illustrating a portion of the claimed design that forms no part of the claimed design.

1 Claim, 4 Drawing Sheets



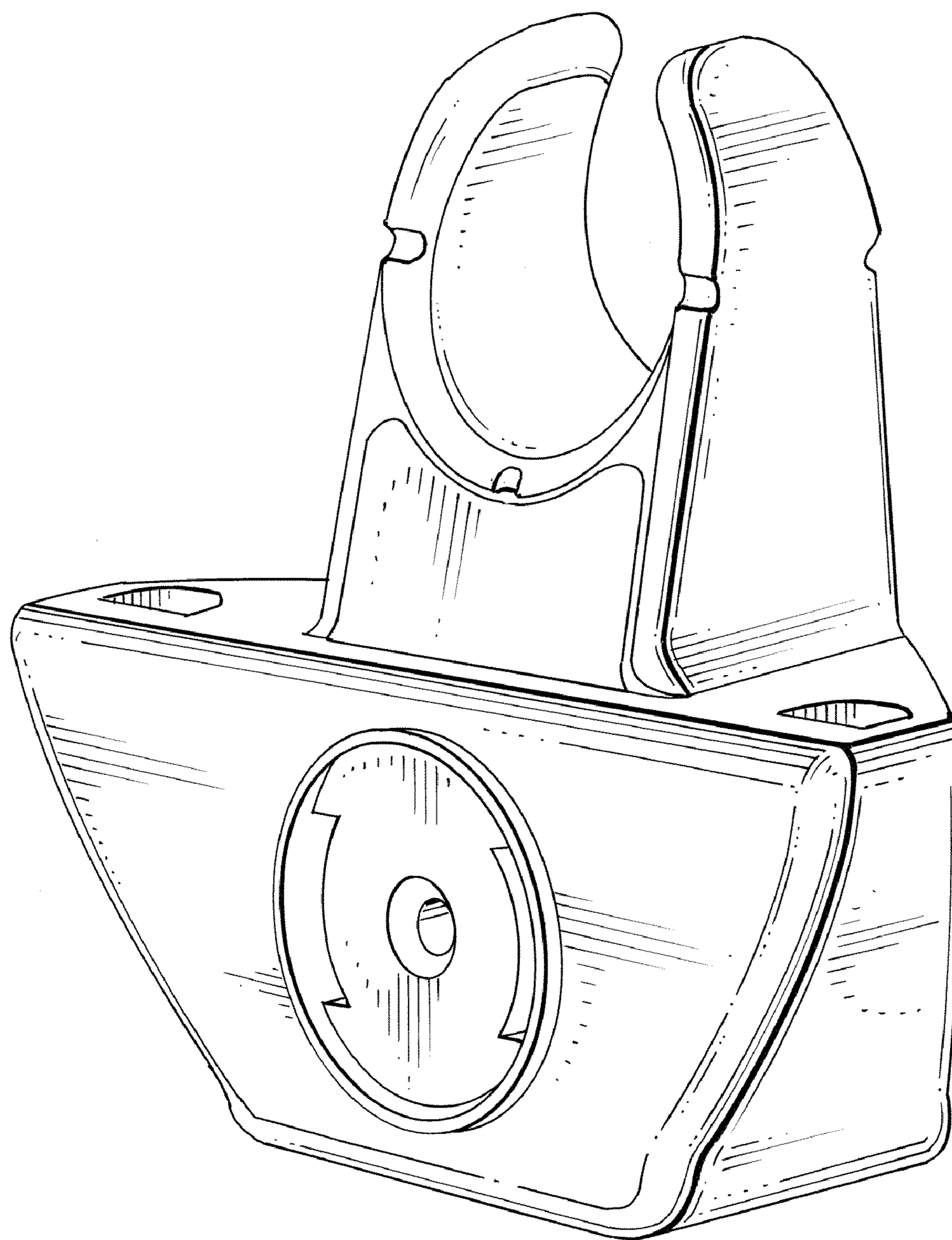
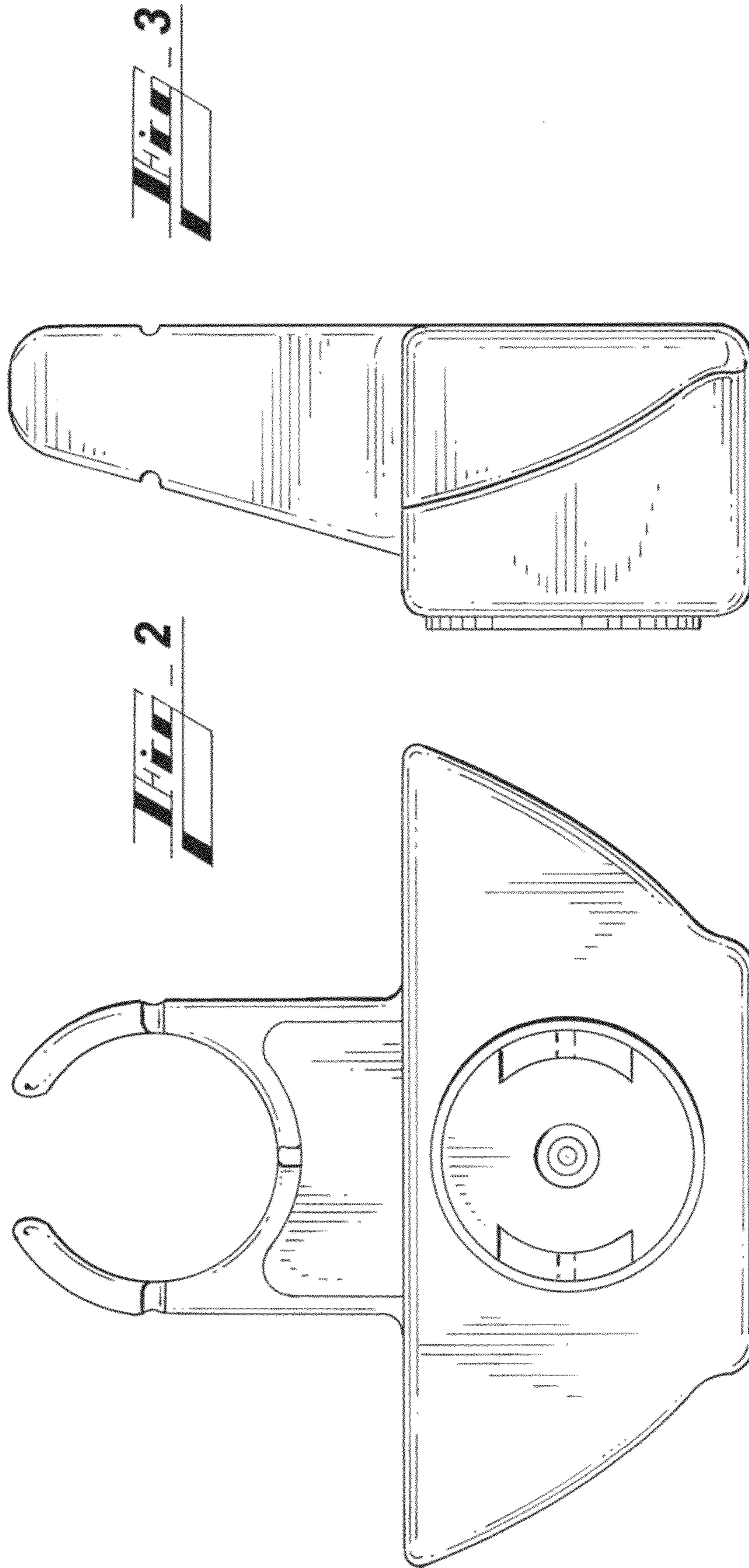


Fig. 1



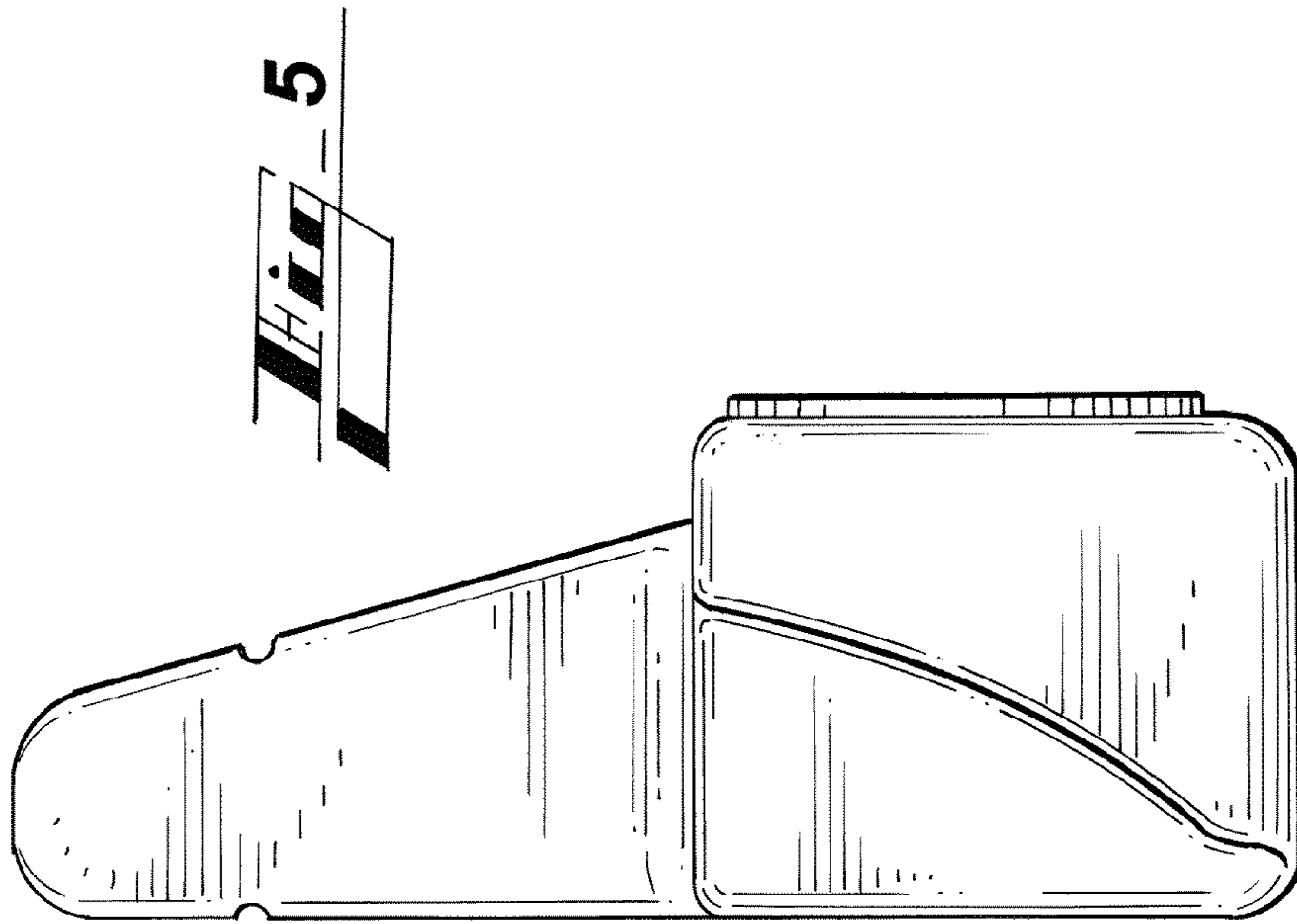


Fig. 5

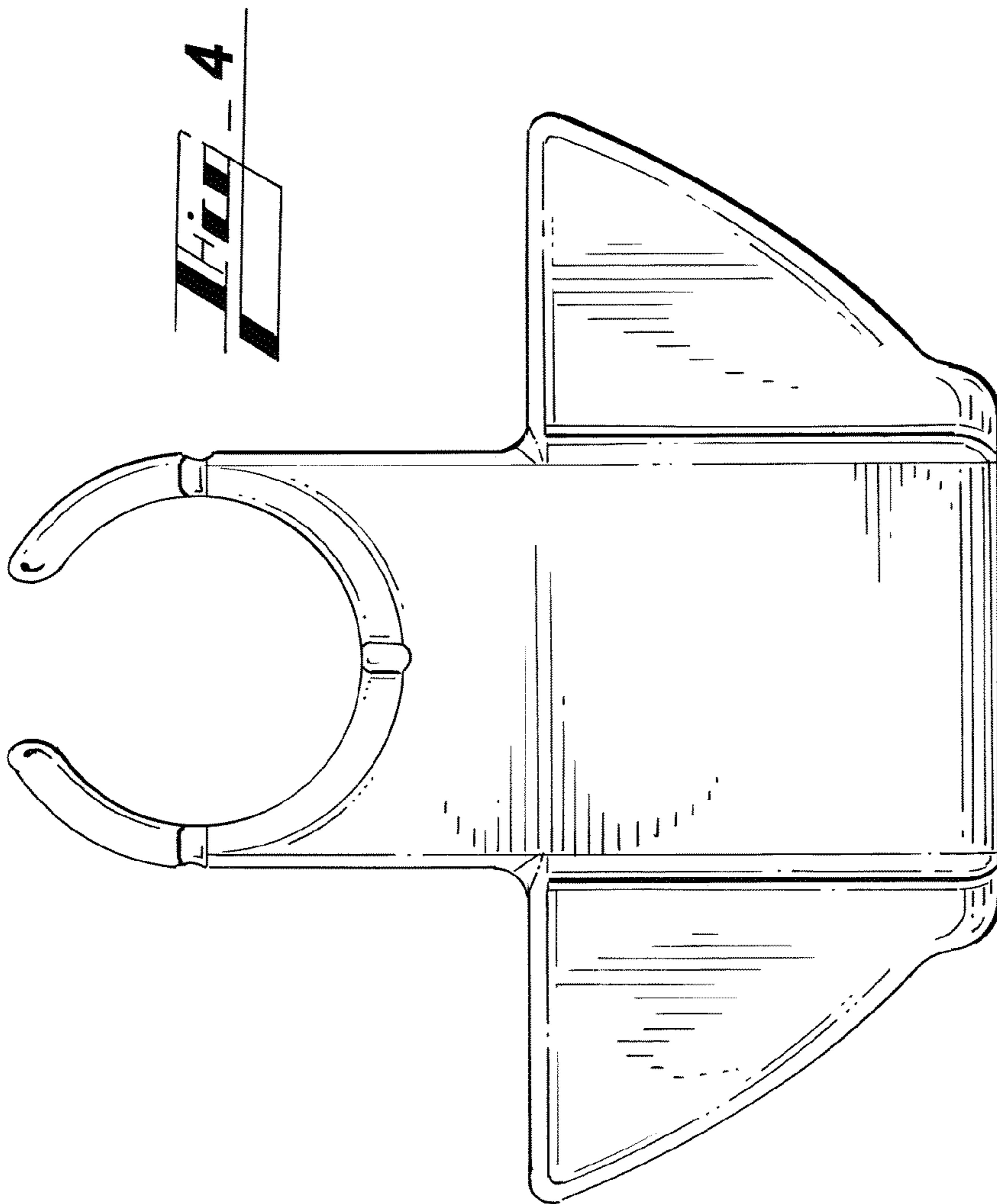


Fig. 4

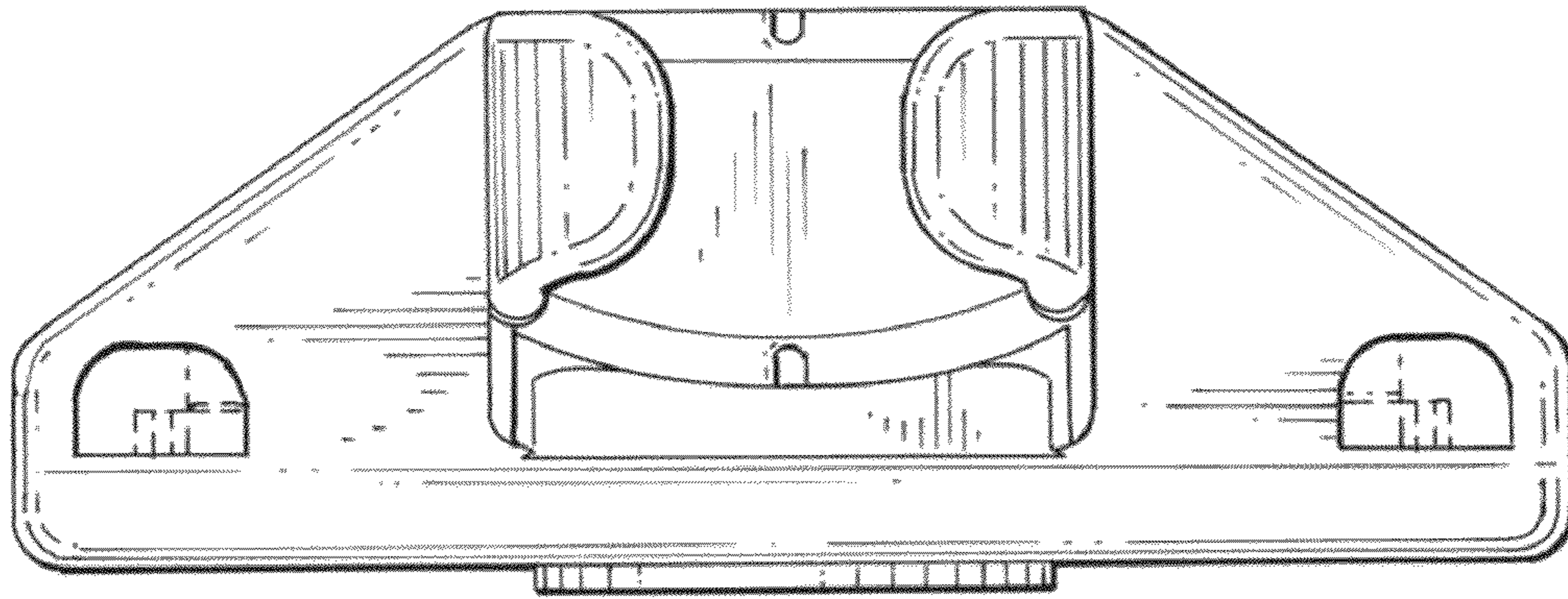


Fig. 6

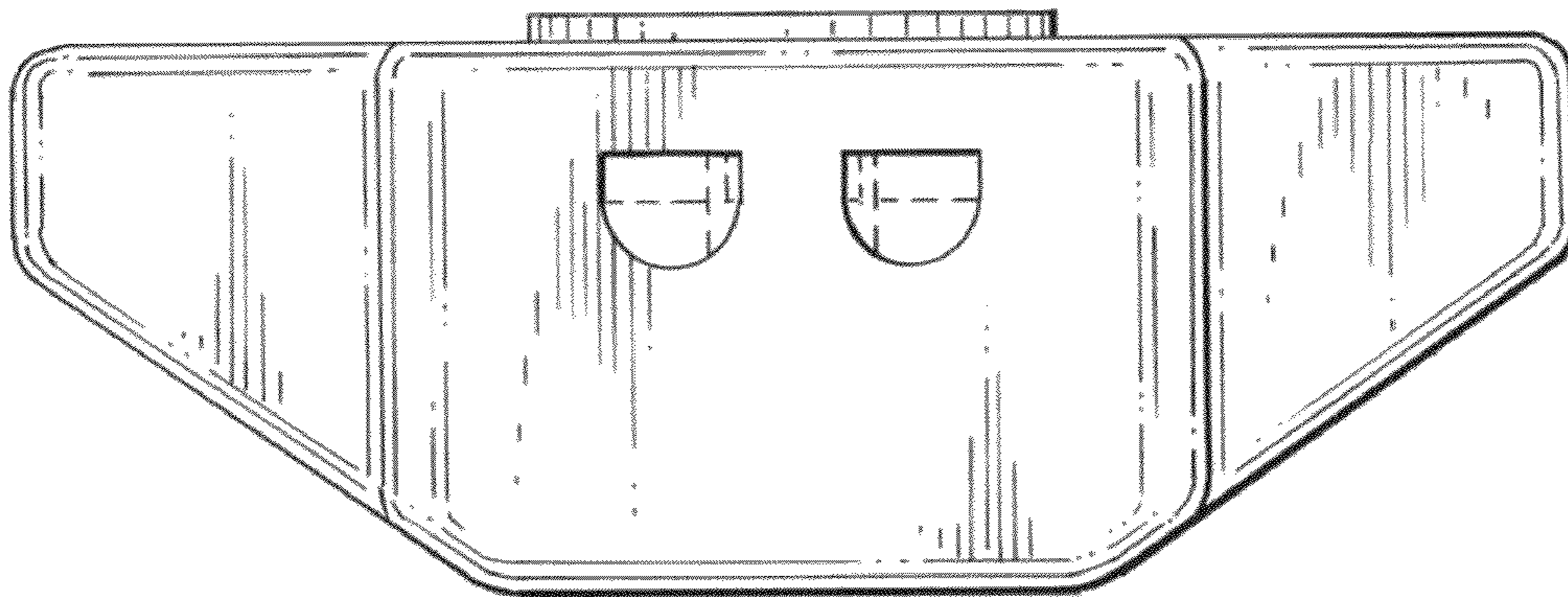


Fig. 7