



US00D679357S

(12) **United States Design Patent**
Wright et al.

(10) **Patent No.:** **US D679,357 S**

(45) **Date of Patent:** **** Apr. 2, 2013**

(54) **VIBRATION DAMPER**

(75) Inventors: **Stuart Duane Wright**, Hayden, ID (US); **Becky Lee Wright**, Hayden, ID (US)

(73) Assignee: **Stuart D. Wright**, Hayden, ID (US)

(**) Term: **14 Years**

(21) Appl. No.: **29/395,278**

(22) Filed: **Dec. 29, 2011**

(51) **LOC (9) Cl.** **22-01**

(52) **U.S. Cl.** **D22/107**

(58) **Field of Classification Search** D22/107,
D22/199; 124/88-92; D21/572
See application file for complete search history.

(56) **References Cited**

U.S. PATENT DOCUMENTS

3,059,629	A *	10/1962	Stinson	124/23.1
3,612,029	A	10/1971	Carroll		
3,941,380	A	3/1976	Lacoste		
4,765,620	A	8/1988	Janes		
4,936,283	A	6/1990	Izuta		
5,016,604	A	5/1991	Tilby		
5,314,180	A	5/1994	Yamagishi		
D385,006	S	10/1997	Sims		

6,684,874	B2 *	2/2004	Mizek et al.	124/89
6,761,158	B2	7/2004	Wright		
D503,769	S *	4/2005	Korn et al.	D22/199
6,910,472	B2 *	6/2005	Mizek et al.	124/89
D559,937	S *	1/2008	Sims et al.	D22/107
D584,375	S *	1/2009	Sims	D22/107
7,703,449	B2	4/2010	Wright		
D661,363	S *	6/2012	McPherson	D22/107
2011/0265778	A1 *	11/2011	Bach et al.	124/92

OTHER PUBLICATIONS

Chuck Adams, Bowhunter's Digest, p. 90, 1981, DBI Books, Northfield, Ill., USA, ISBN: 0-910676-29-1.

* cited by examiner

Primary Examiner — Michael A Pratt

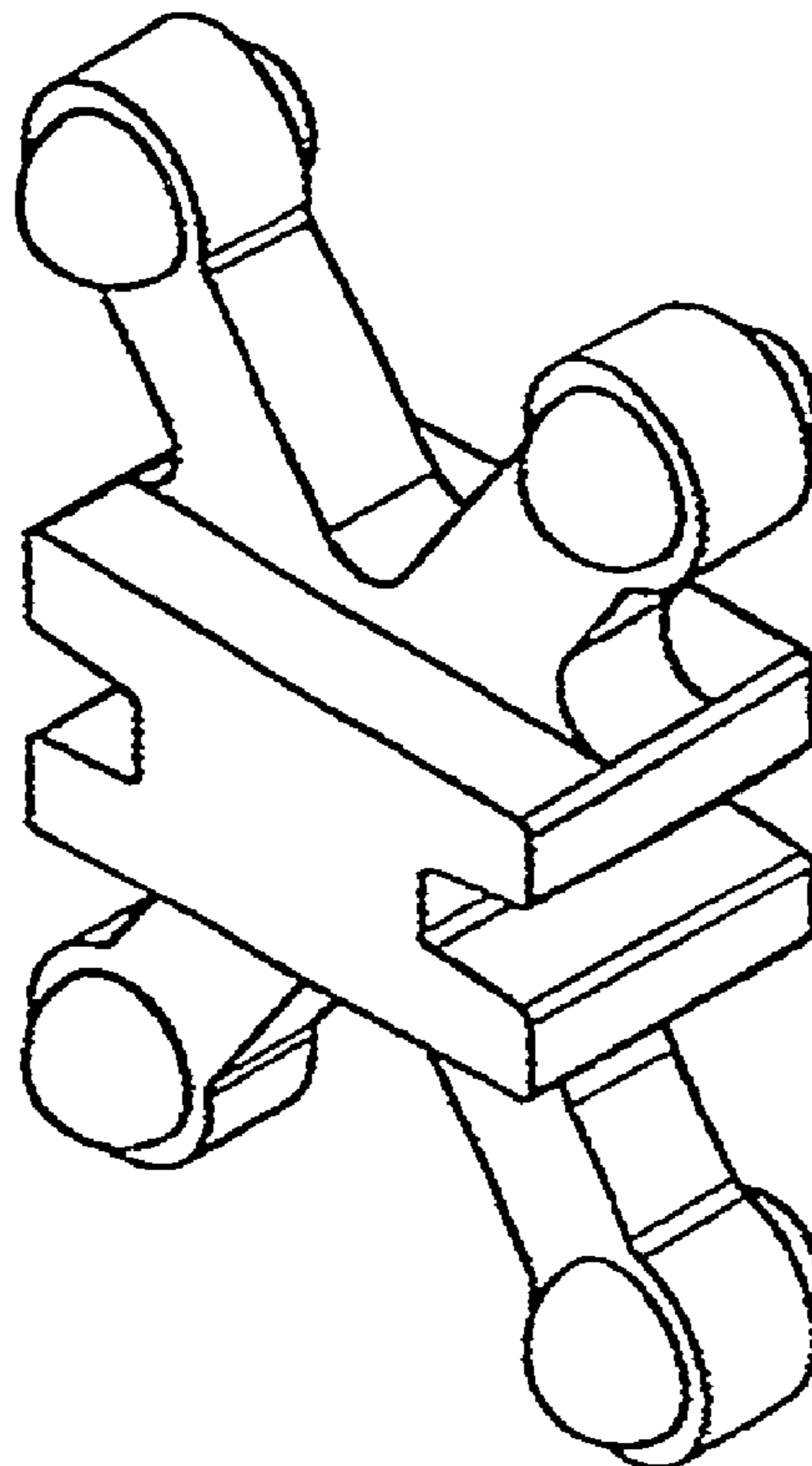
(57) **CLAIM**

The ornamental design for a vibration damper, substantially as shown and described in FIGS. 1-4.

DESCRIPTION

FIG. 1 is an isometric top right view of the new design.
FIG. 2 is an isometric bottom right view of the new design.
FIG. 3 is a front view of the new design; and,
FIG. 4 is a side view of the new design.
Design is symmetrical front and back, top and bottom. Omitted are the back view and opposite side view.

1 Claim, 1 Drawing Sheet



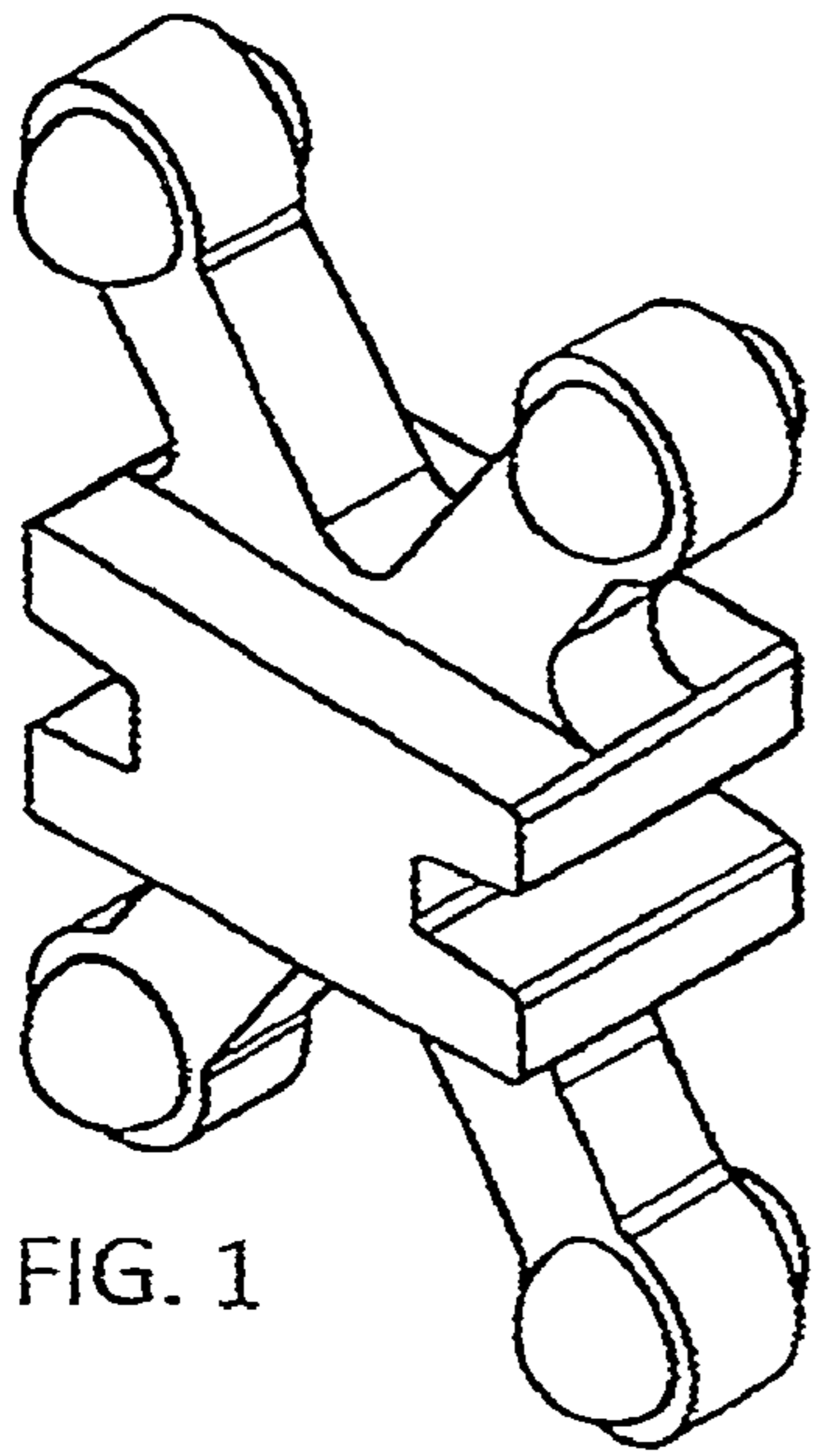


FIG. 1

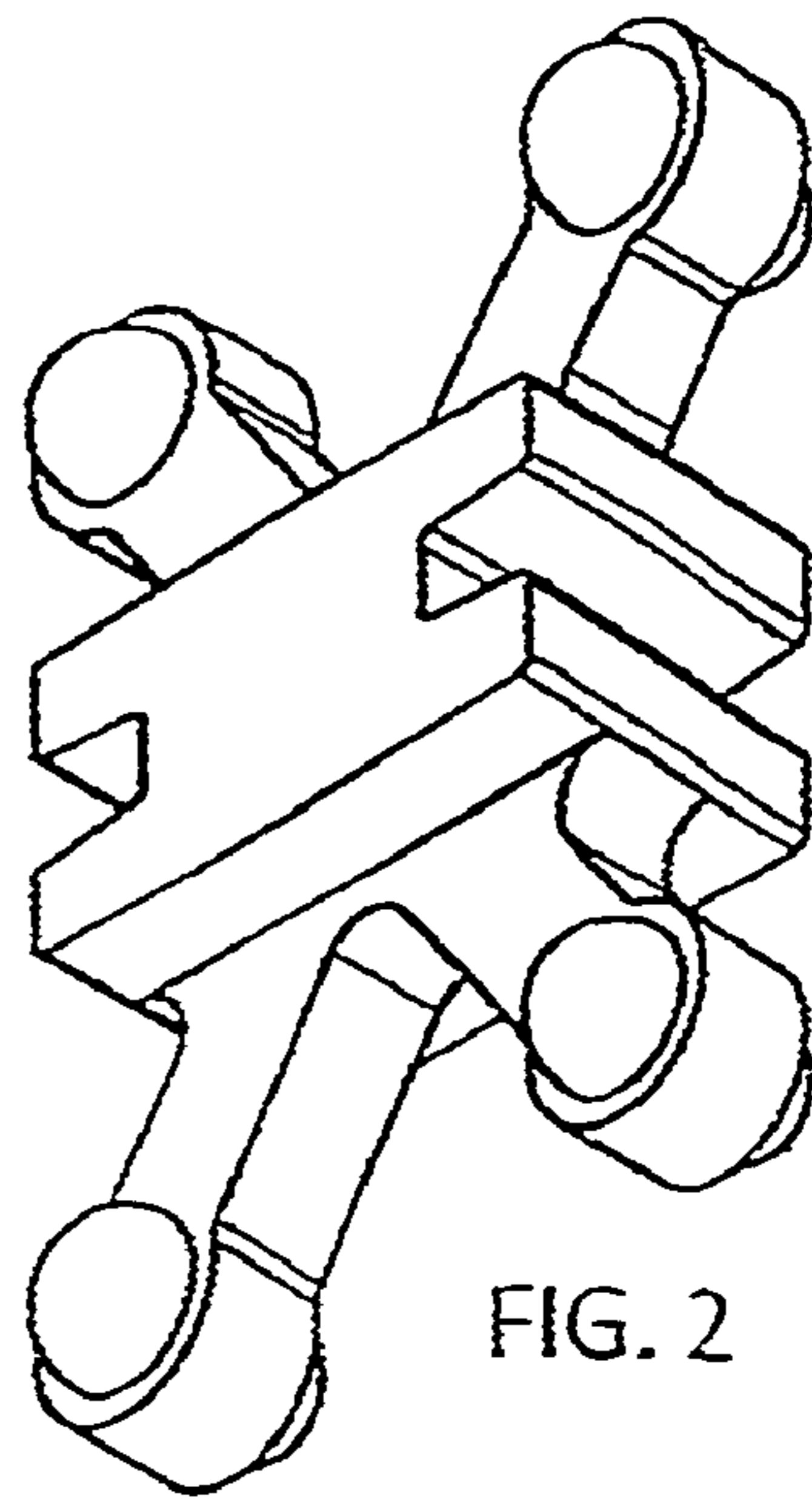


FIG. 2

FIG. 3

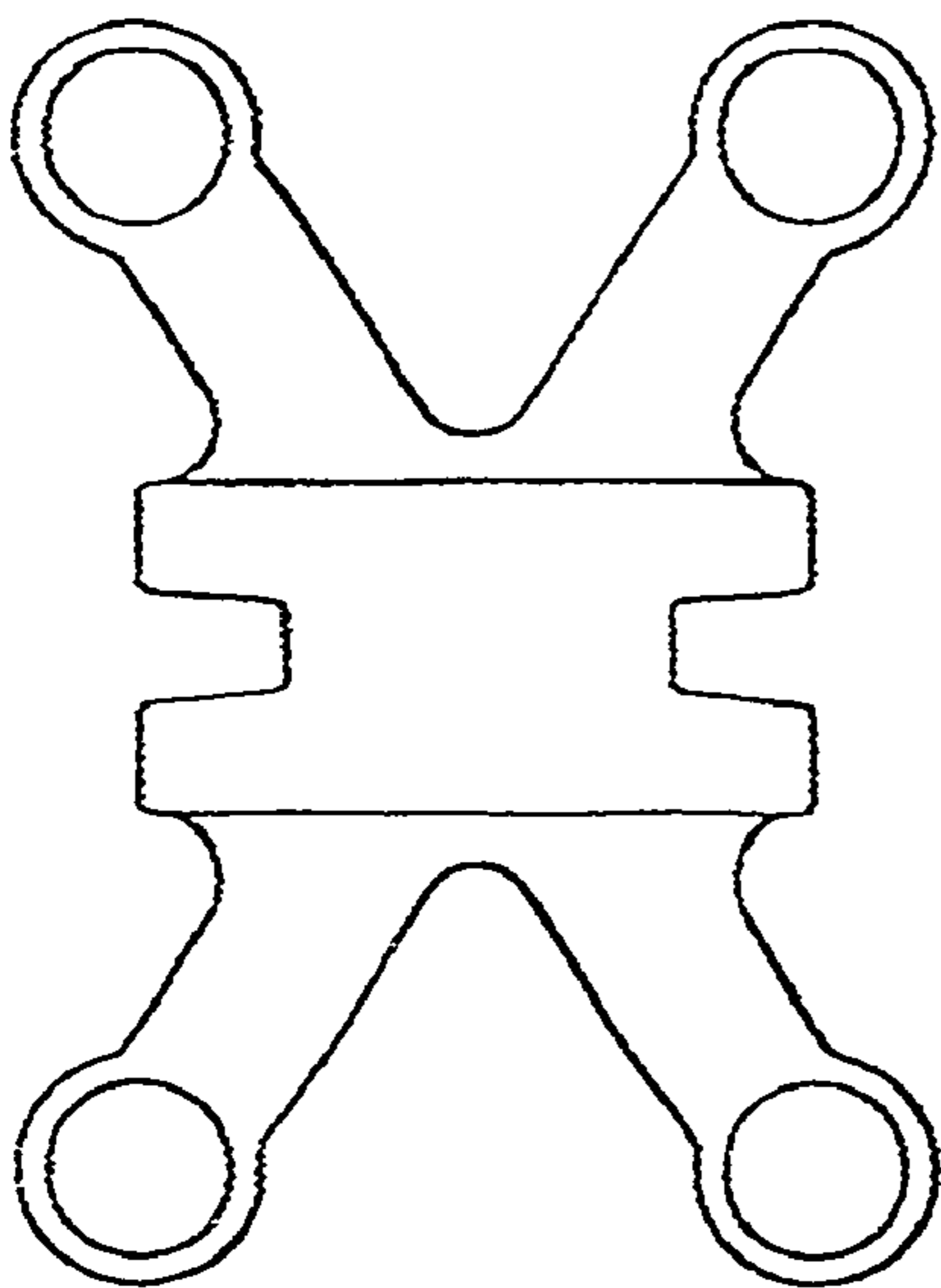


FIG. 4

