



US00D679350S

(12) **United States Design Patent**
Krass

(10) **Patent No.:** **US D679,350 S**

(45) **Date of Patent:** **** Apr. 2, 2013**

(54) **ONE-ON-ONE DOUBLES TENNIS COURT**

(76) Inventor: **Ed Krass**, Brandon, FL (US)

(**) Term: **14 Years**

(21) Appl. No.: **29/387,086**

(22) Filed: **Mar. 9, 2011**

(51) **LOC (9) Cl.** **21-02**

(52) **U.S. Cl.** **D21/706; D21/799.1**

(58) **Field of Classification Search** D21/300–306,
D21/349, 365, 698, 699, 706, 397, 799.1,
D21/799.2; D25/12, 32, 35, 118, 138, 151,
D25/157–162; D6/480, 486, 487, 488, 491,
D6/511, 582, 583; 472/92–94; 473/415–504;
273/317–412

See application file for complete search history.

(56) **References Cited**

U.S. PATENT DOCUMENTS

1,699,660	A *	1/1929	Forrest	404/27
D96,005	S *	6/1935	Beneville	D5/59
4,045,022	A *	8/1977	Grant et al.	473/474
4,354,685	A *	10/1982	Hampson	273/342
4,606,543	A *	8/1986	Hartland	473/460
4,834,375	A *	5/1989	Elstein et al.	473/417
4,834,392	A *	5/1989	Nixon	473/473
5,394,824	A *	3/1995	Johnson, Jr.	116/203
5,850,885	A *	12/1998	Clark et al.	273/317
6,007,438	A *	12/1999	Harrell	473/496
6,077,176	A *	6/2000	Poshadlo, Jr.	473/474
6,814,669	B1 *	11/2004	Marcinkowska	472/92
7,608,000	B2 *	10/2009	Butler	473/415

2001/0036874	A1 *	11/2001	Cathcart	473/459
2008/0207360	A1 *	8/2008	Marold et al.	473/473
2011/0172019	A1 *	7/2011	Jeffrey	472/93
2012/0065006	A1 *	3/2012	Vogt	473/490

FOREIGN PATENT DOCUMENTS

FR	931590-001	*	6/1993
NL	1006049 C2	*	3/1998
WO	WO 2004044712 A2	*	5/2004

OTHER PUBLICATIONS

Sportime® Fall 2003 Catalog, p. 83: "EqualOpFourSquareBases" shown on upper right.*

* cited by examiner

Primary Examiner — Catherine Tuttle

(74) *Attorney, Agent, or Firm* — Allen, Dyer, Doppelt, Milbrath & Gilchrist, P.A.

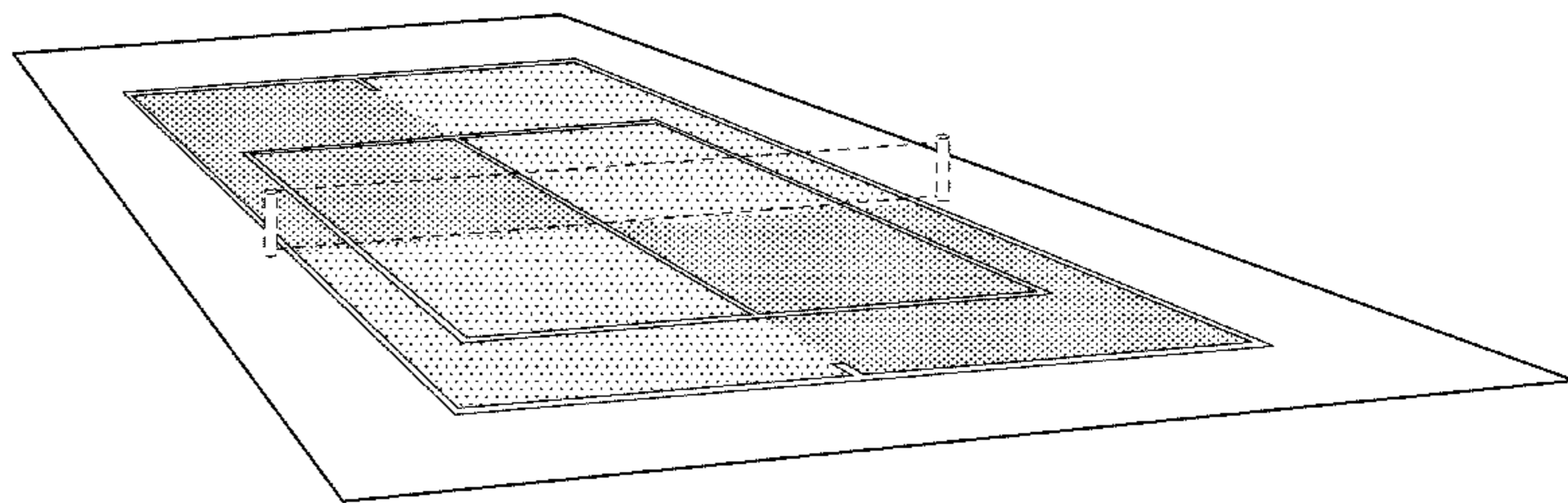
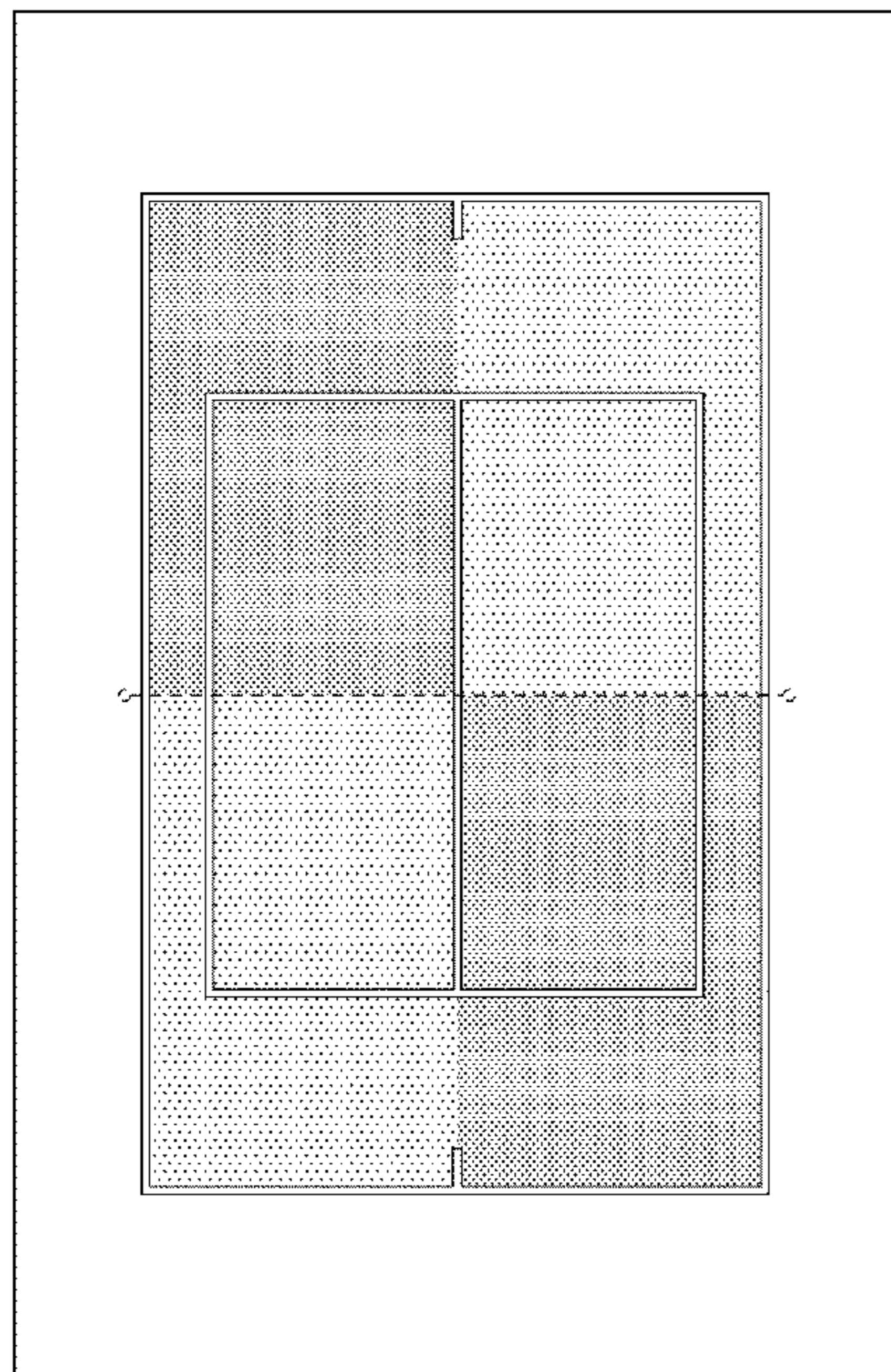
(57) **CLAIM**

The ornamental design for a one-on-one doubles tennis court, as shown and described.

DESCRIPTION

FIG. 1 is a top view of the one-on-one doubles tennis court showing my new design; FIG. 2 is a left perspective view thereof; and, FIG. 3 is a right perspective view thereof. The stipple shading represents a surface shade contrast consonant with the visual appearance shown in the drawing. The broken lines showing in FIGS. 1-3 are for illustrative purposes only and form no part of the claimed design.

1 Claim, 3 Drawing Sheets



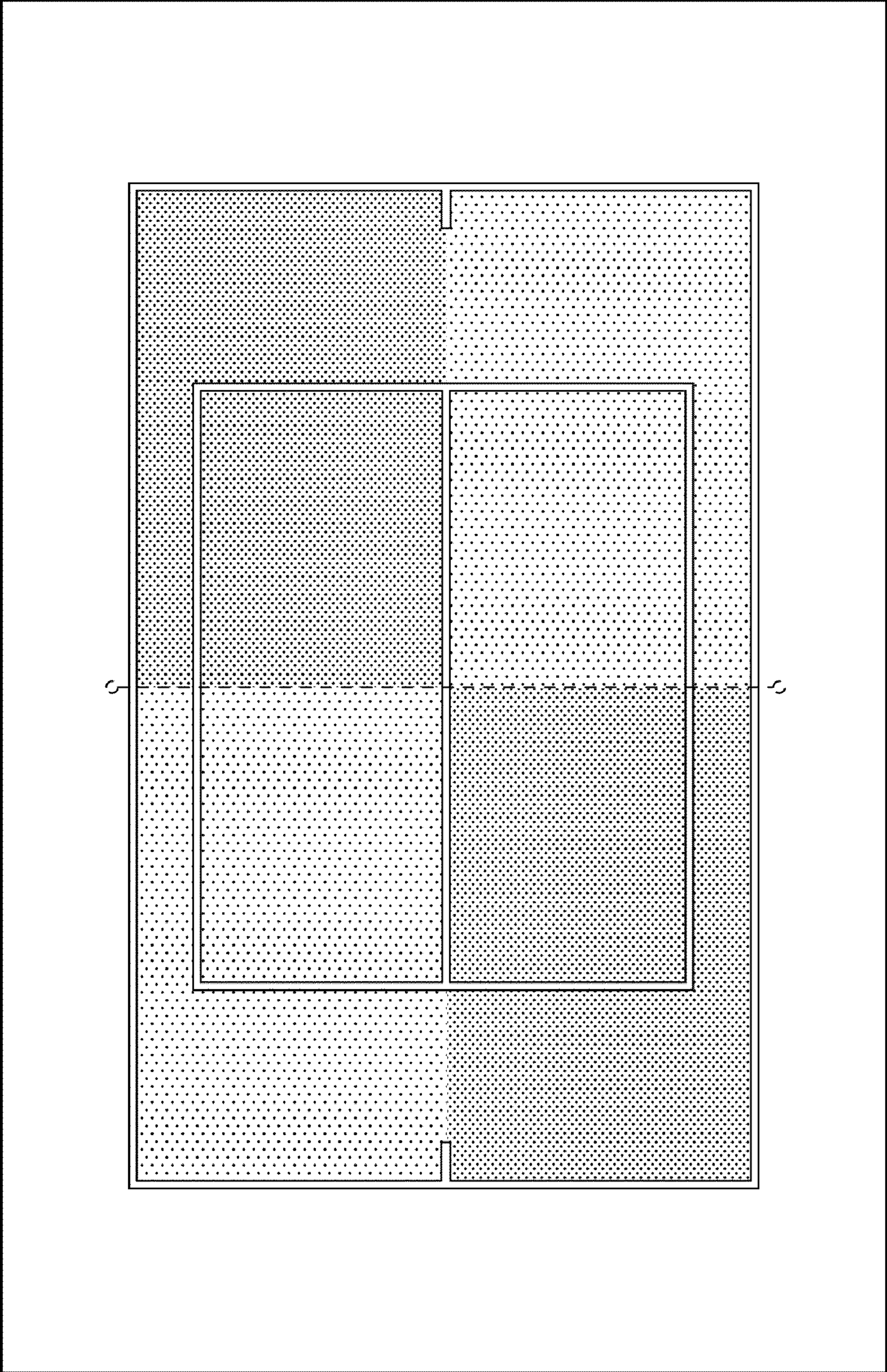


FIG. 1

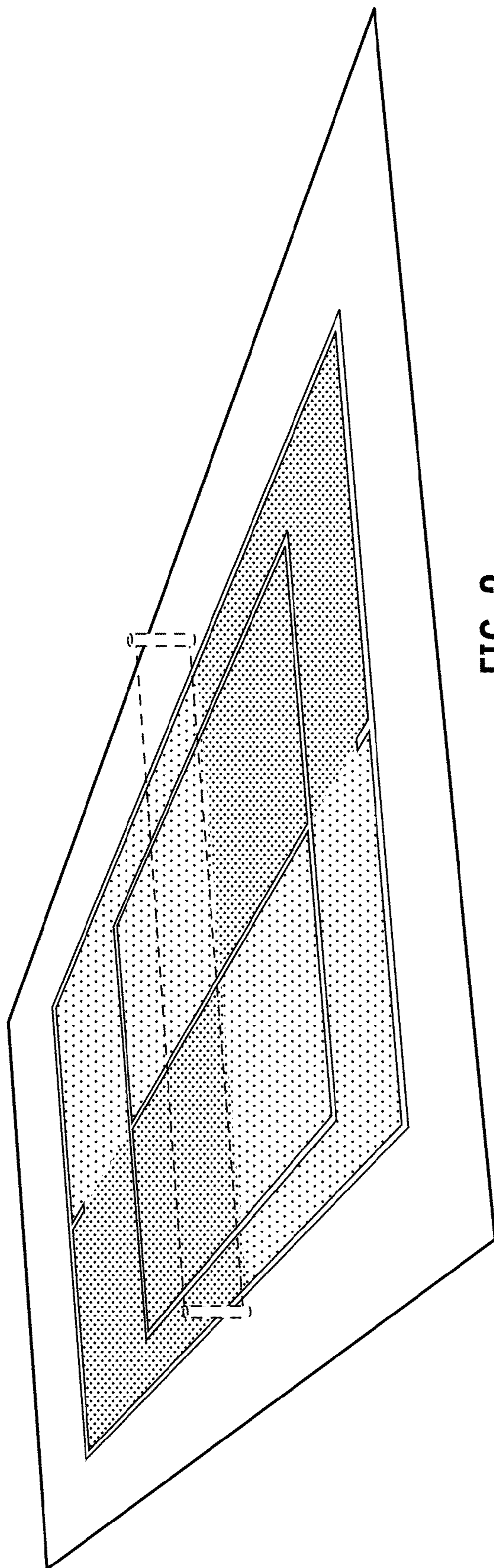


FIG. 2

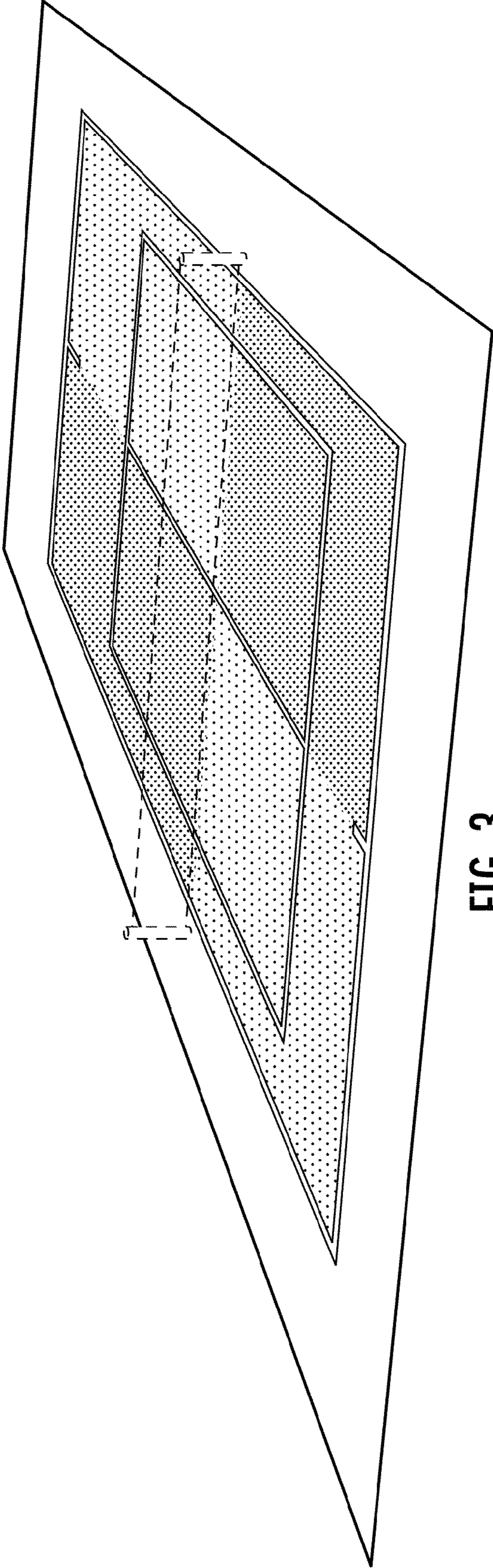


FIG. 3