



US00D679349S

(12) **United States Design Patent**
Jaquish et al.

(10) **Patent No.:** **US D679,349 S**

(45) **Date of Patent:** **** Apr. 2, 2013**

(54) **APPARATUS FOR ADMINISTERING AN EXERCISE PROGRAM**

(75) Inventors: **John Paul Jaquish**, Nevada City, CA (US); **Paul Edward Jaquish**, Nevada City, CA (US)

(73) Assignee: **Performance Health Systems LLC**, Nevada City, CA (US)

(**) Term: **14 Years**

(21) Appl. No.: **29/390,907**

(22) Filed: **Apr. 29, 2011**

(51) **LOC (9) Cl.** **21-02**

(52) **U.S. Cl.** **D21/690**

(58) **Field of Classification Search** D21/662, D21/673-676, 679, 681, 686, 690-691, 694; 482/1, 2, 8, 9, 91, 93, 94, 97, 100, 104, 106, 482/108, 111, 135, 138, 140, 142, 148
See application file for complete search history.

(56) **References Cited**

U.S. PATENT DOCUMENTS

4,466,610	A	8/1984	Israel	
4,556,214	A	12/1985	Petrofsky et al.	
4,571,682	A	2/1986	Silverman et al.	
5,330,404	A *	7/1994	Lopeteguy et al.	482/91
5,554,090	A *	9/1996	Jones	482/97
RE35,598	E	9/1997	Sadoff	
D431,615	S *	10/2000	Webber et al.	D21/675
6,159,131	A	12/2000	Pfeffer	
D438,578	S *	3/2001	Kuo	D21/690
6,296,595	B1	10/2001	Stark et al.	
6,296,596	B1 *	10/2001	Alessandri et al.	482/100
6,375,598	B1	4/2002	Frame	
6,515,593	B1	2/2003	Stark et al.	
6,561,951	B2	5/2003	Cannon	
6,643,385	B1	11/2003	Bravomalo	
6,746,370	B1	6/2004	Fleming	
7,004,890	B2 *	2/2006	Webb et al.	482/100
7,063,644	B2	6/2006	Albert et al.	
7,070,539	B2	7/2006	Brown et al.	
7,608,022	B2 *	10/2009	Lull et al.	482/100
D635,205	S *	3/2011	Thulin	D21/676
7,955,234	B1 *	6/2011	Pursley	482/112

8,105,206	B2 *	1/2012	Rindfleisch	482/6
2002/0072655	A1	6/2002	Pfeffer	
2002/0091039	A1	7/2002	Reinbold et al.	
2002/0128119	A1	9/2002	Arai	
2003/0032524	A1	2/2003	Lamar	
2004/0077462	A1	4/2004	Brown	
2004/0110602	A1	6/2004	Feldman	
2004/0117214	A1	6/2004	Shea	
2004/0127336	A1	7/2004	Lapcevic	
2004/0198555	A1	10/2004	Anderson et al.	
2004/0229734	A1 *	11/2004	Stearns	482/93
2005/0020415	A1	1/2005	Reno	
2007/0027006	A1	2/2007	Suiter	
2010/0137108	A1 *	6/2010	Jaquish et al.	482/9

OTHER PUBLICATIONS

The International Bureau of WIPO, International Preliminary Report on Patentability dated Apr. 23, 2008 for International Application No. PCT/US2006/041190.

ISA/US, International Search Report and Written Opinion dated Aug. 16, 2007 for International Application No. PCT/US2006/041190.

* cited by examiner

Primary Examiner — Susan E Krakower

(74) *Attorney, Agent, or Firm* — Morgan, Lewis & Bockius LLP

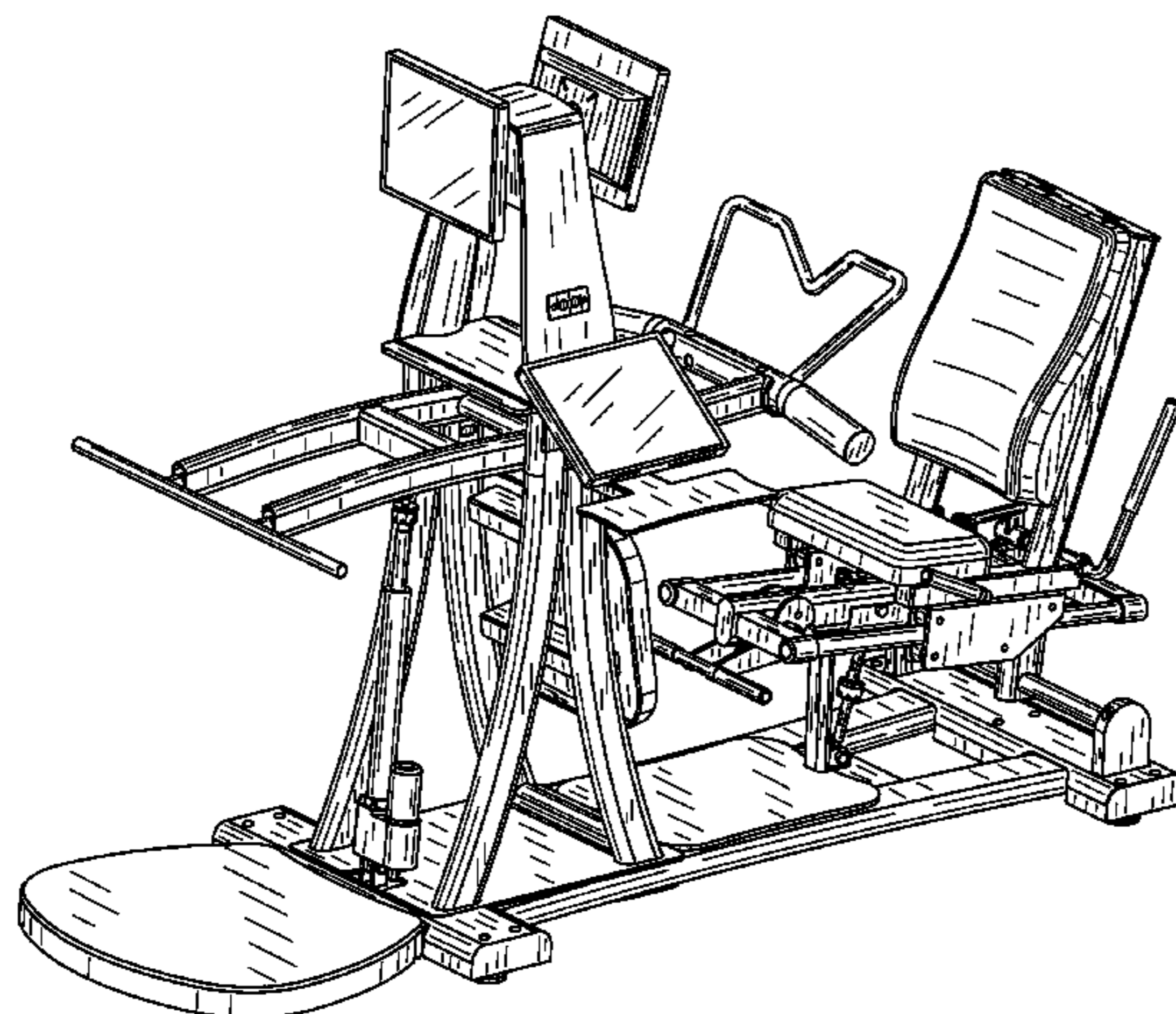
(57) **CLAIM**

The ornamental design for an apparatus for administering an exercise program, as shown and described.

DESCRIPTION

FIG. 1 is a first perspective view of an apparatus for administering an exercise program according the present invention; FIG. 2 is a second perspective view thereof; FIG. 3 is a top view thereof; FIG. 4 is a first side view thereof; FIG. 5 is a second side view thereof; FIG. 6 is a rear view thereof; FIG. 7 is a front view thereof; and, FIG. 8 is a bottom view thereof. The broken lines in the drawings depict unclaimed environmental subject matter.

1 Claim, 8 Drawing Sheets



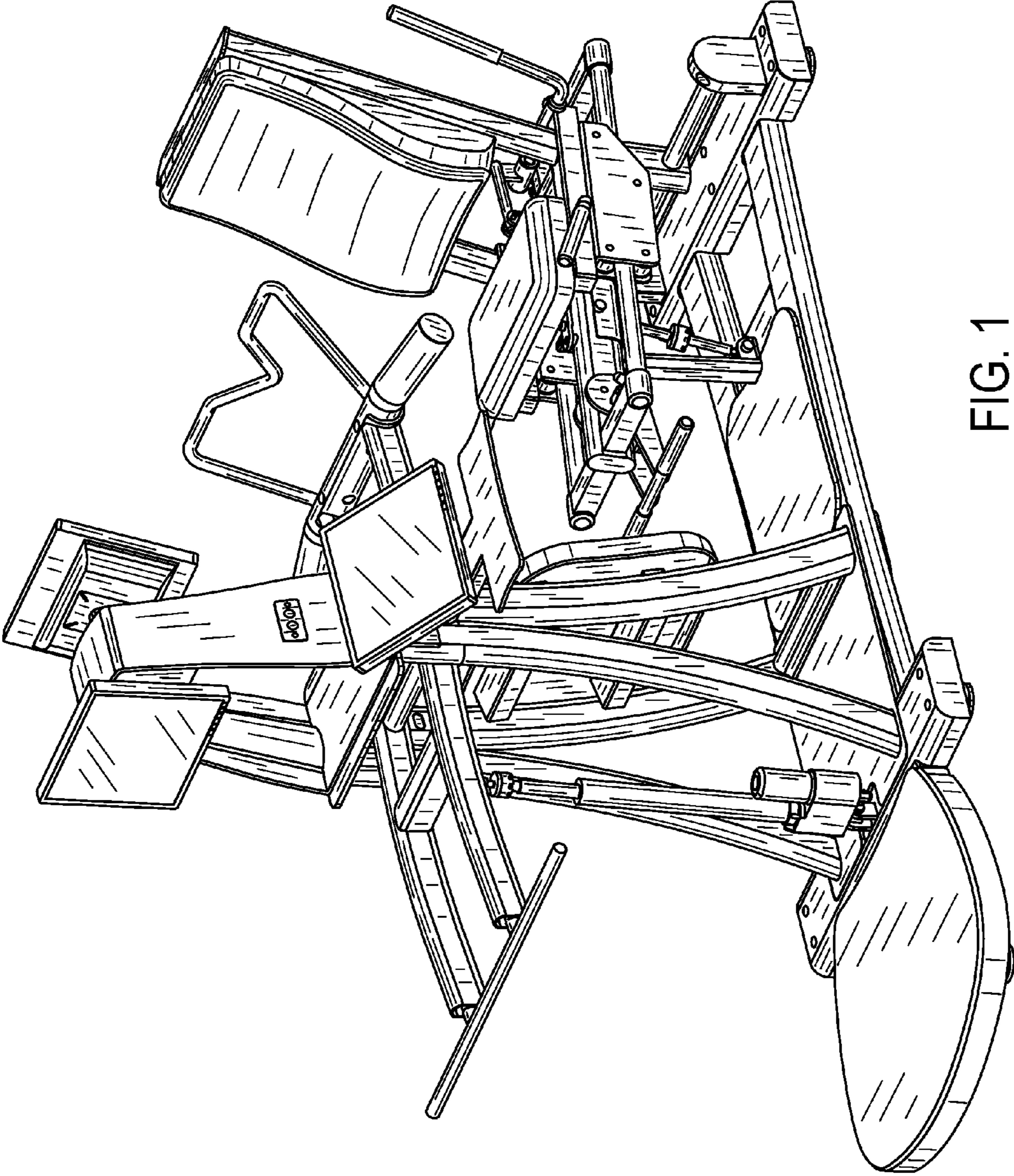


FIG. 1

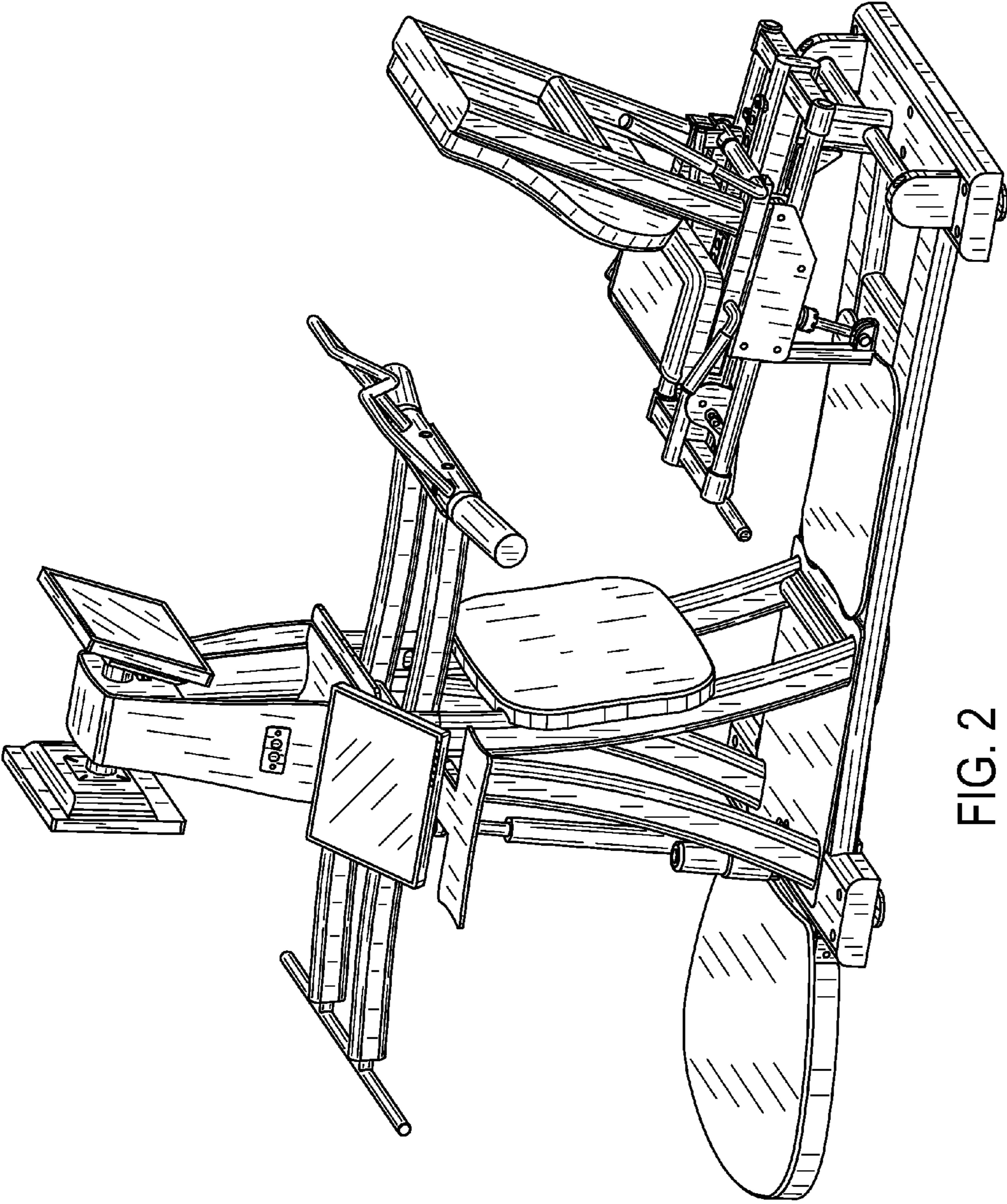


FIG. 2

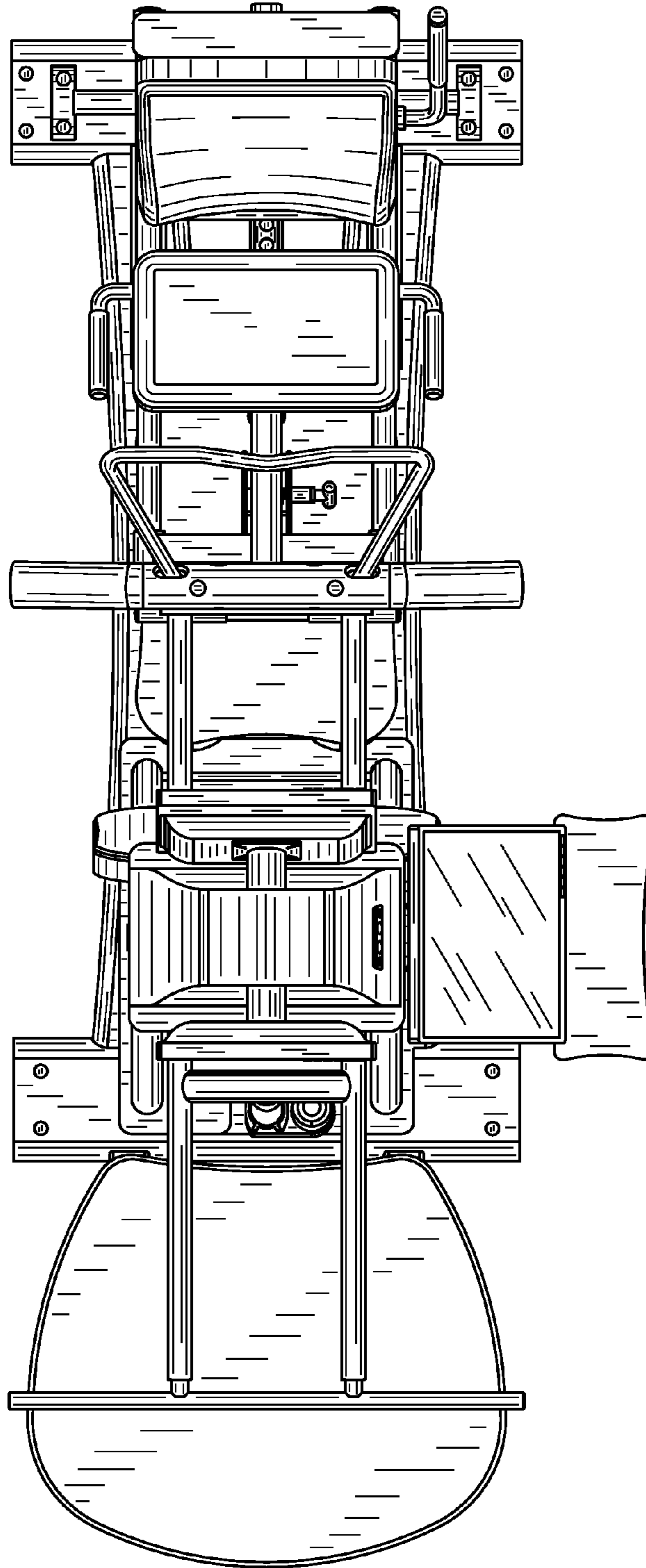


FIG. 3

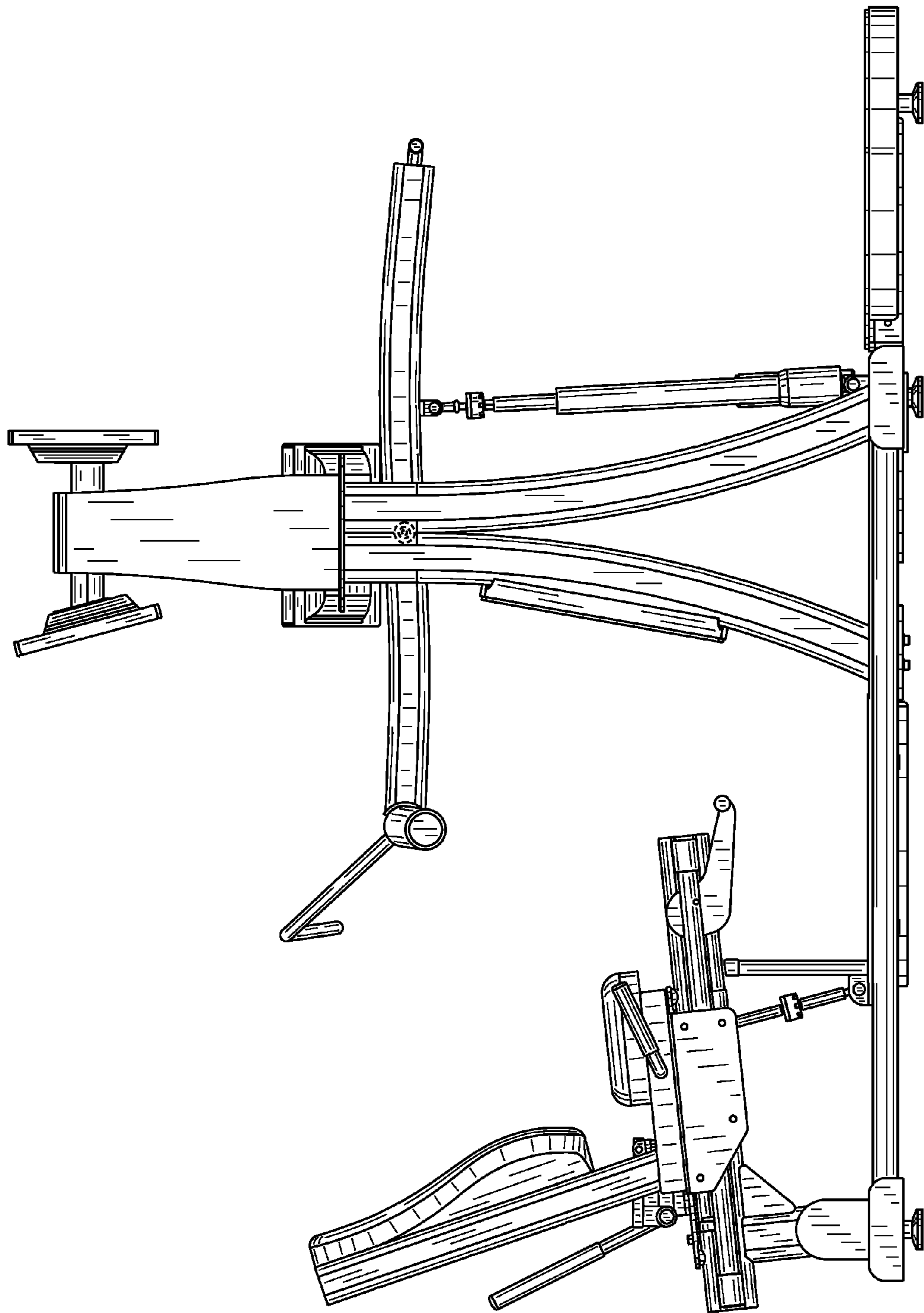


FIG. 4

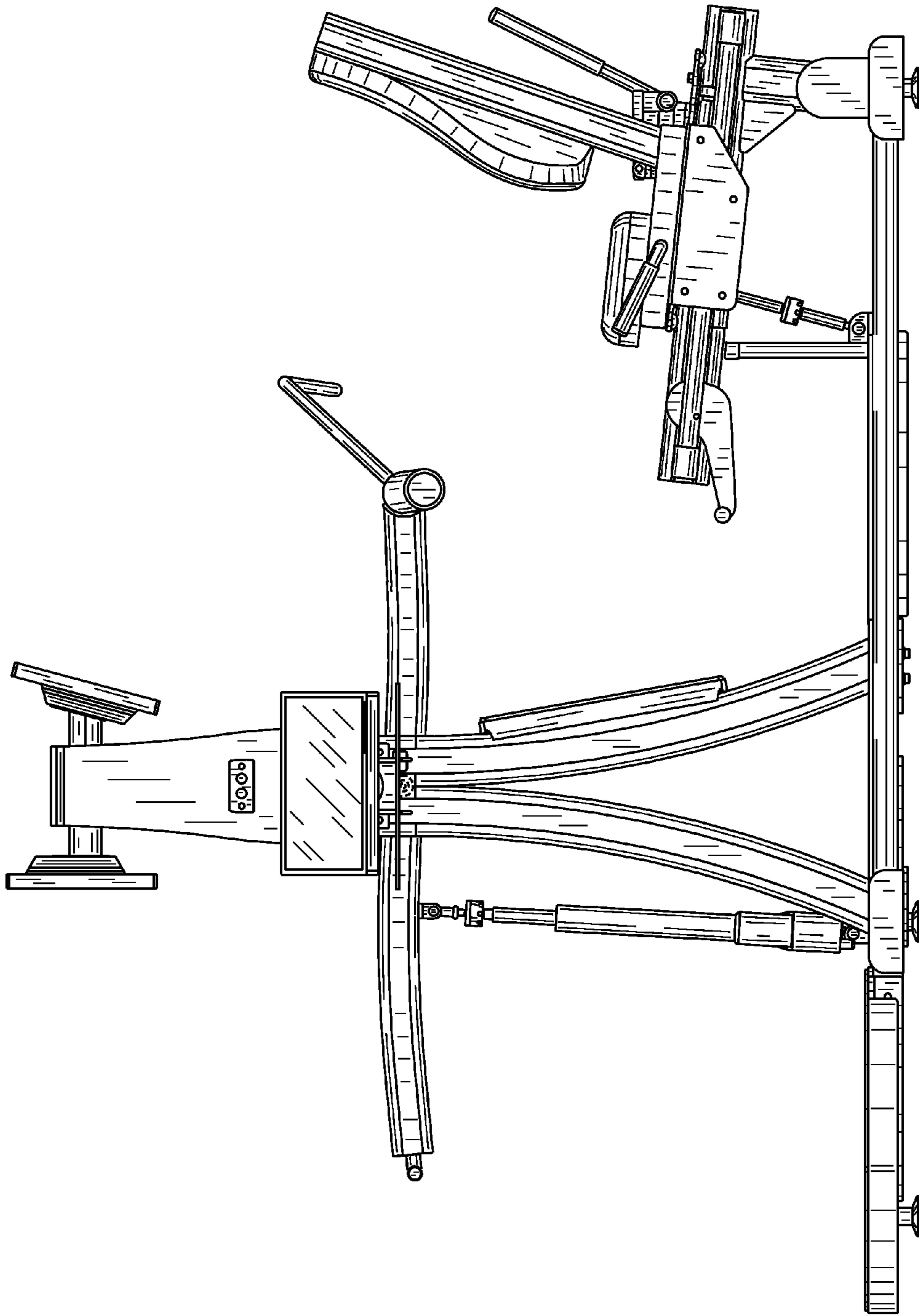


FIG. 5

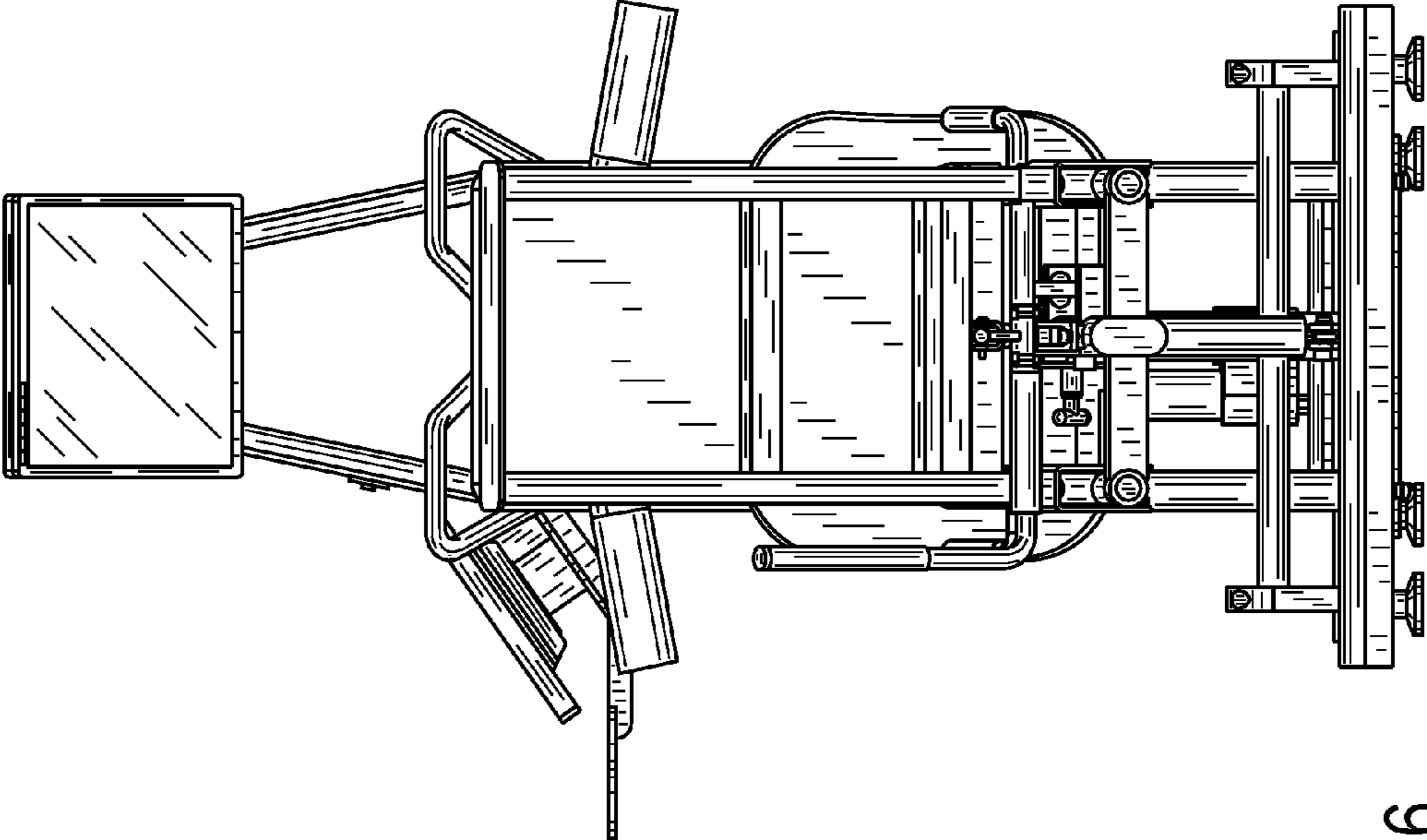


FIG. 6

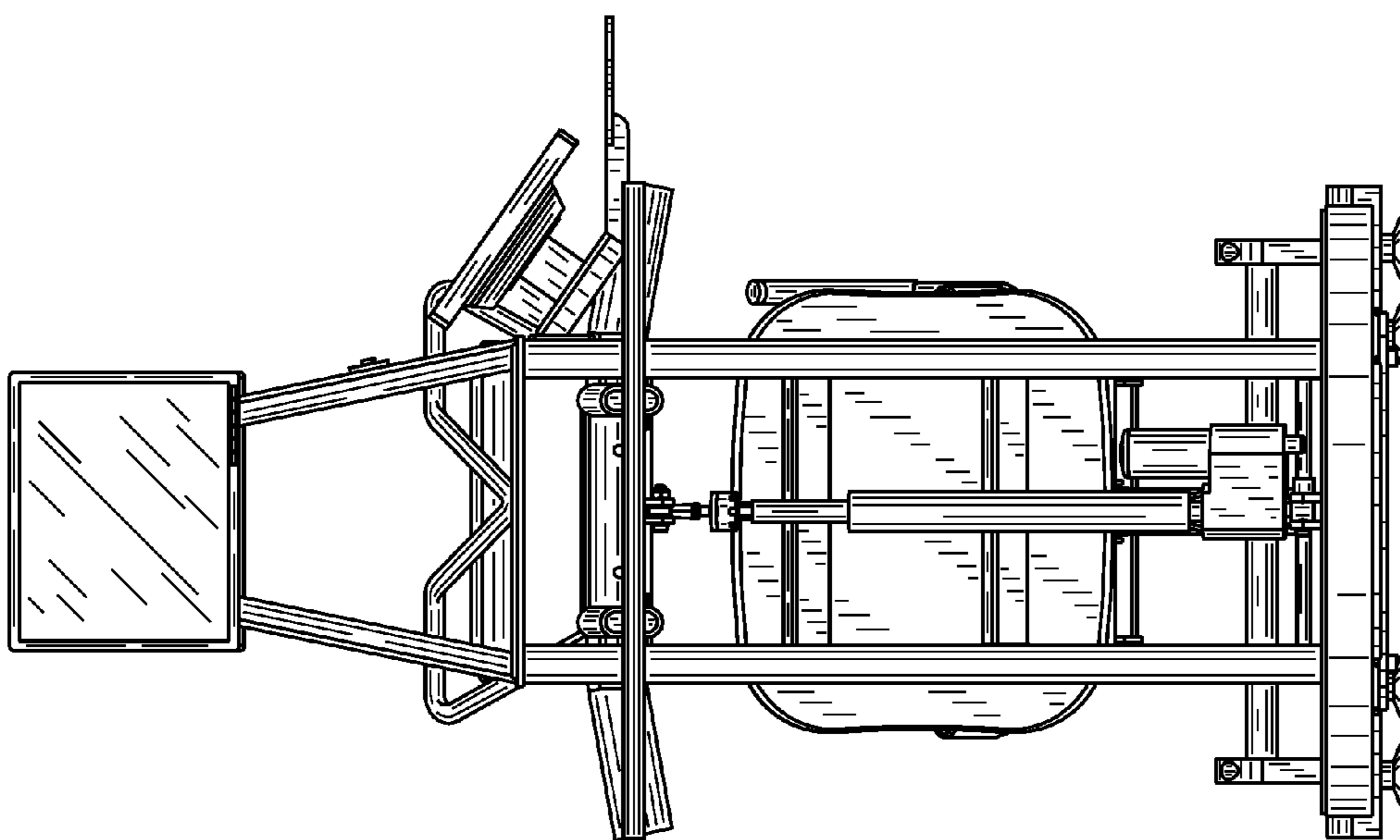


FIG. 7

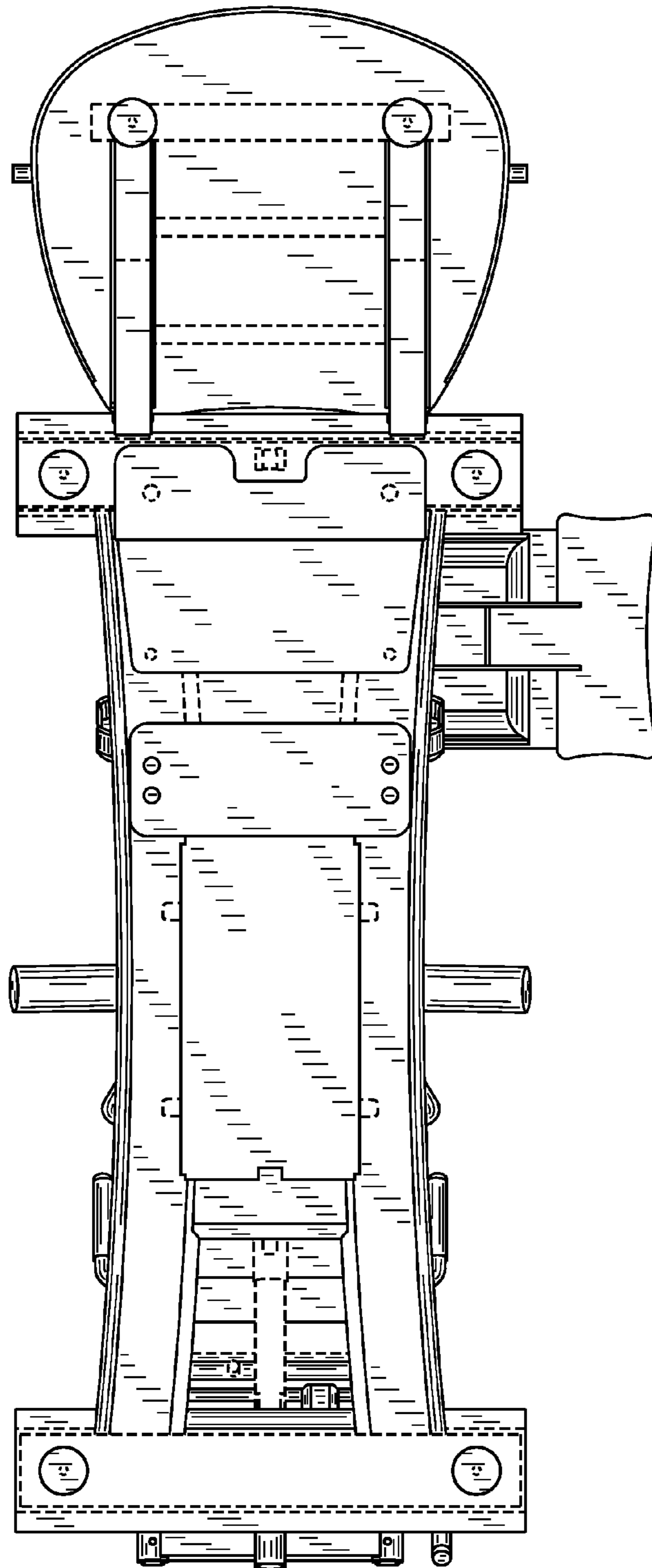


FIG. 8