



US00D679347S

(12) **United States Design Patent**  
**Frederick**

(10) **Patent No.:** **US D679,347 S**  
(45) **Date of Patent:** **\*\* Apr. 2, 2013**

(54) **DUAL WHEEL EXERCISING DEVICE WITH MULTI-POSITION HANDLE**

(76) Inventor: **Kenneth D. Frederick**, Huntingdon, PA (US)

(\*\*) Term: **14 Years**

(21) Appl. No.: **29/417,774**

(22) Filed: **Apr. 9, 2012**

(51) **LOC (9) Cl.** ..... **21-02**

(52) **U.S. Cl.** ..... **D21/662**

(58) **Field of Classification Search** ..... D21/662,  
D21/679, 680, 684, 686, 692, 694; 482/93,  
482/95, 96, 104-110, 120, 124, 132, 140,  
482/141, 148; D24/200, 211

See application file for complete search history.

(56) **References Cited**

U.S. PATENT DOCUMENTS

1,824,920	A *	9/1931	Novak	.....	482/132
3,403,906	A *	10/1968	Burzenski	.....	482/132
3,616,794	A *	11/1971	Gromala	.....	601/120
3,752,475	A *	8/1973	Ott	.....	482/127
D306,886	S *	3/1990	Shiek et al.	.....	D21/662
D397,174	S *	8/1998	Sandoval	.....	D21/681
6,017,296	A *	1/2000	Tang et al.	.....	482/132

D422,038	S *	3/2000	Iannetta	.....	D21/662
D445,852	S *	7/2001	Mishan et al.	.....	D21/662
D448,851	S *	10/2001	Louis	.....	D24/211
D453,363	S *	2/2002	Zhang	.....	D21/662
6,348,027	B1 *	2/2002	Lee	.....	482/132
D454,929	S *	3/2002	Huang	.....	D21/662
D456,051	S *	4/2002	Mitchell	.....	D21/662
7,951,052	B1 *	5/2011	Tang	.....	482/132
7,993,250	B2 *	8/2011	Abbott	.....	482/93
D654,970	S *	2/2012	Daves	.....	D21/662
D666,255	S *	8/2012	Babchinetskaya et al.	..	D21/662
D669,141	S *	10/2012	MacColl et al.	.....	D21/662

\* cited by examiner

*Primary Examiner* — Susan E Krakower

(74) *Attorney, Agent, or Firm* — James Ray & Assoc

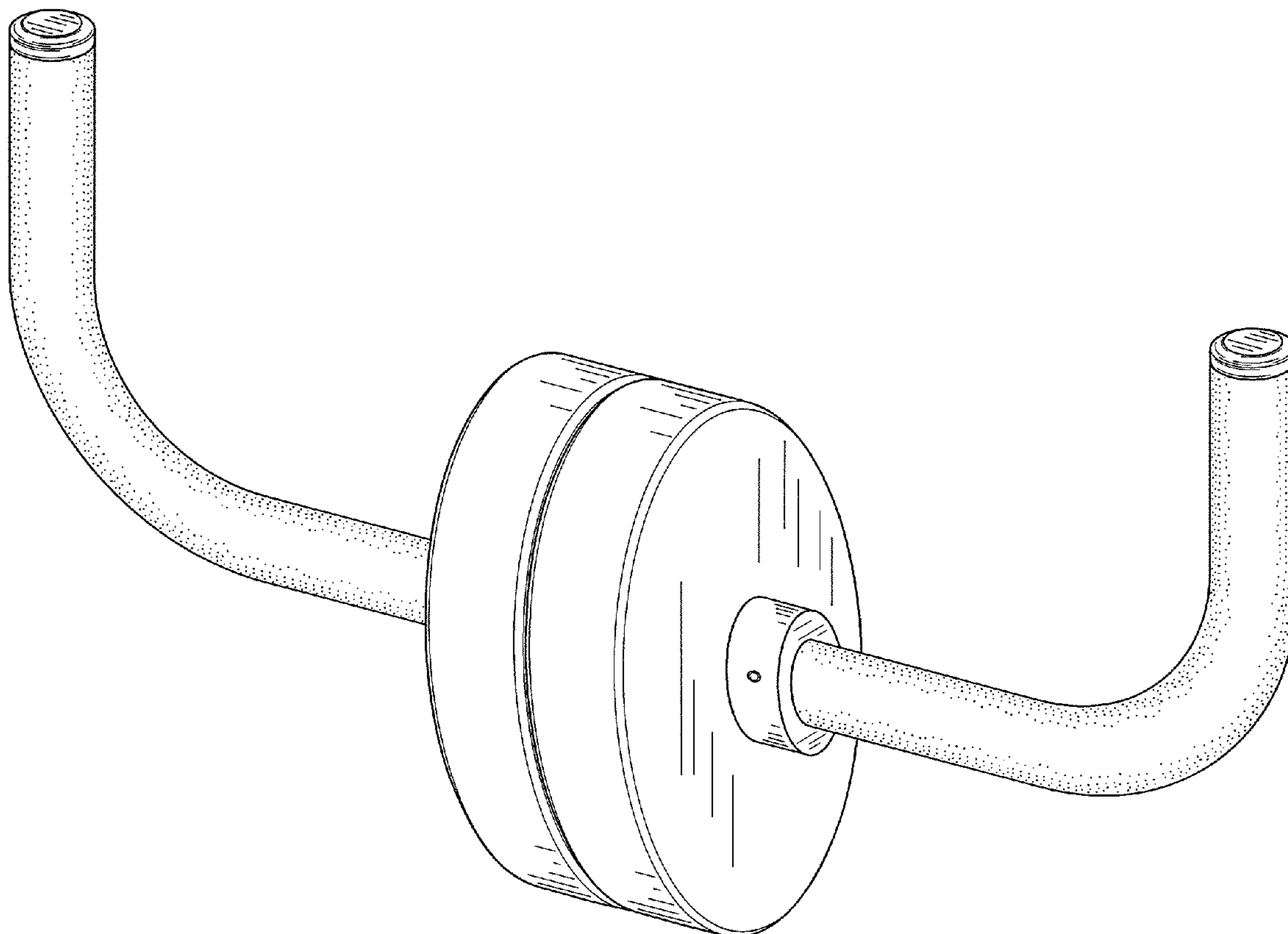
(57) **CLAIM**

The ornamental design for a dual wheel exercising device with multi-position handle, as shown and described.

**DESCRIPTION**

FIG. 1 is a perspective view of a dual wheel exercising device with multi-position handle showing my new design; FIG. 2 is a front elevation view thereof; FIG. 3 is a right elevation view thereof; FIG. 4 is a left elevation view thereof; FIG. 5 is a top view thereof; and, FIG. 6 is a bottom view thereof.

**1 Claim, 4 Drawing Sheets**



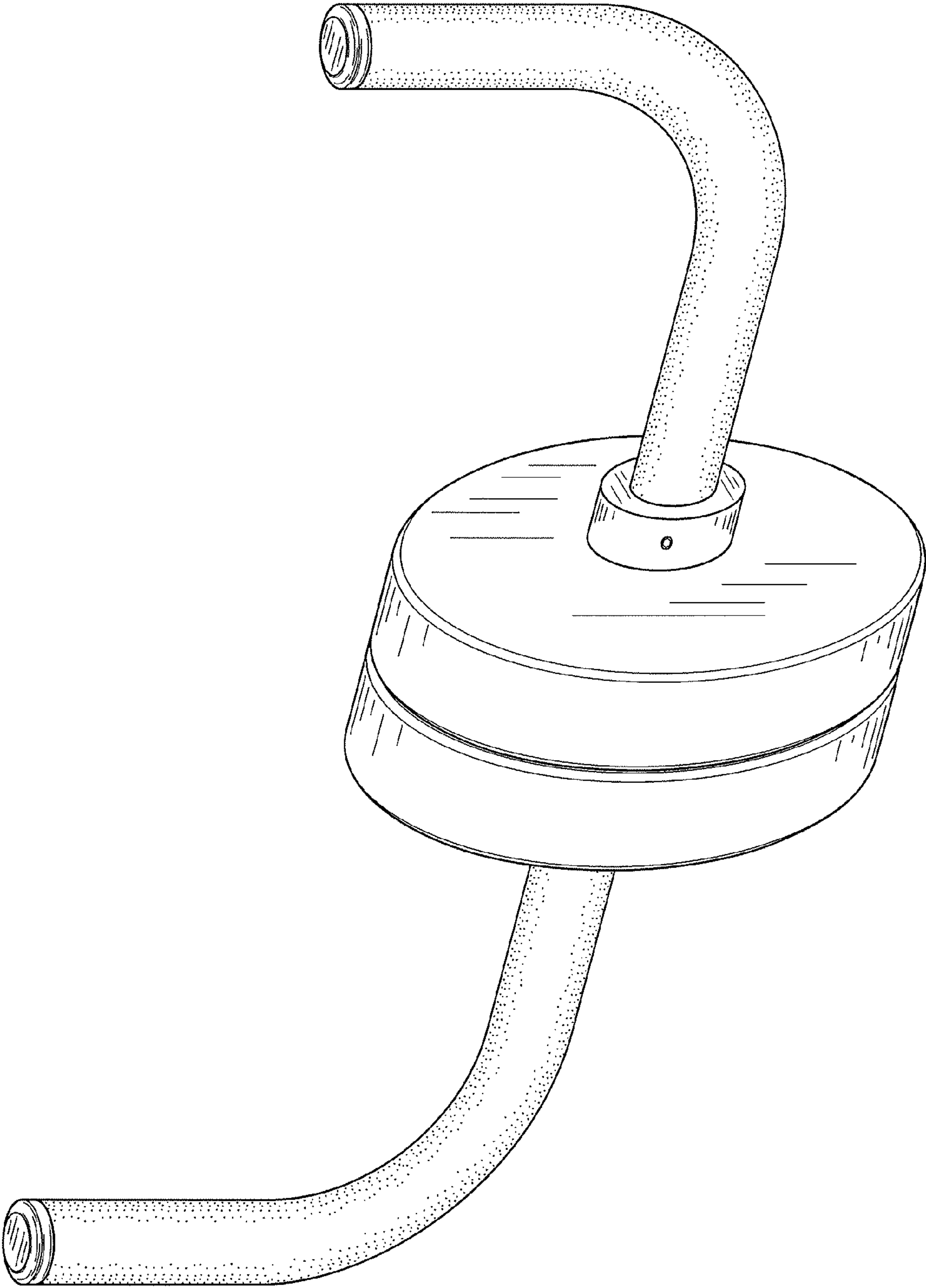


FIG. 1

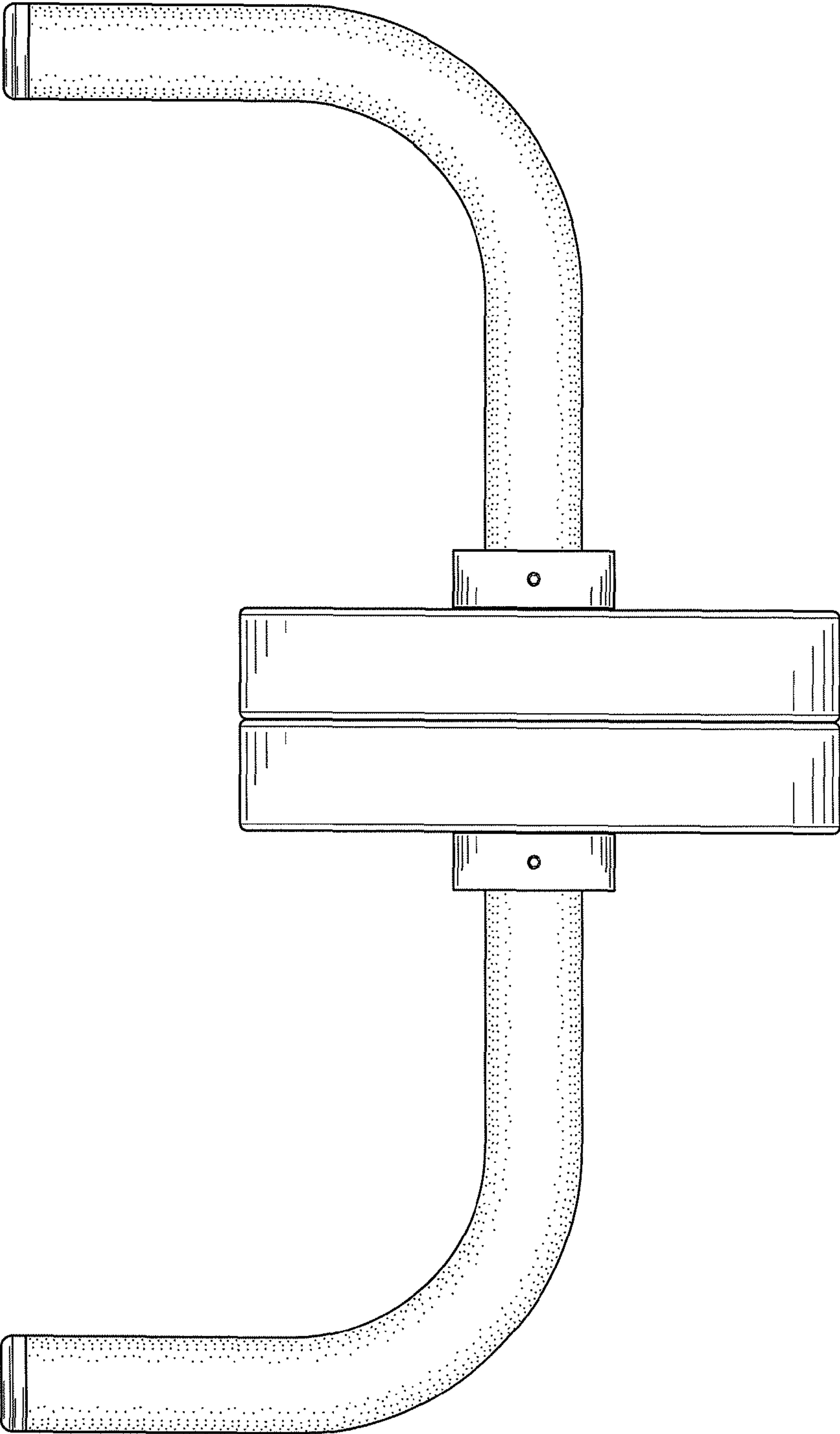


FIG. 2

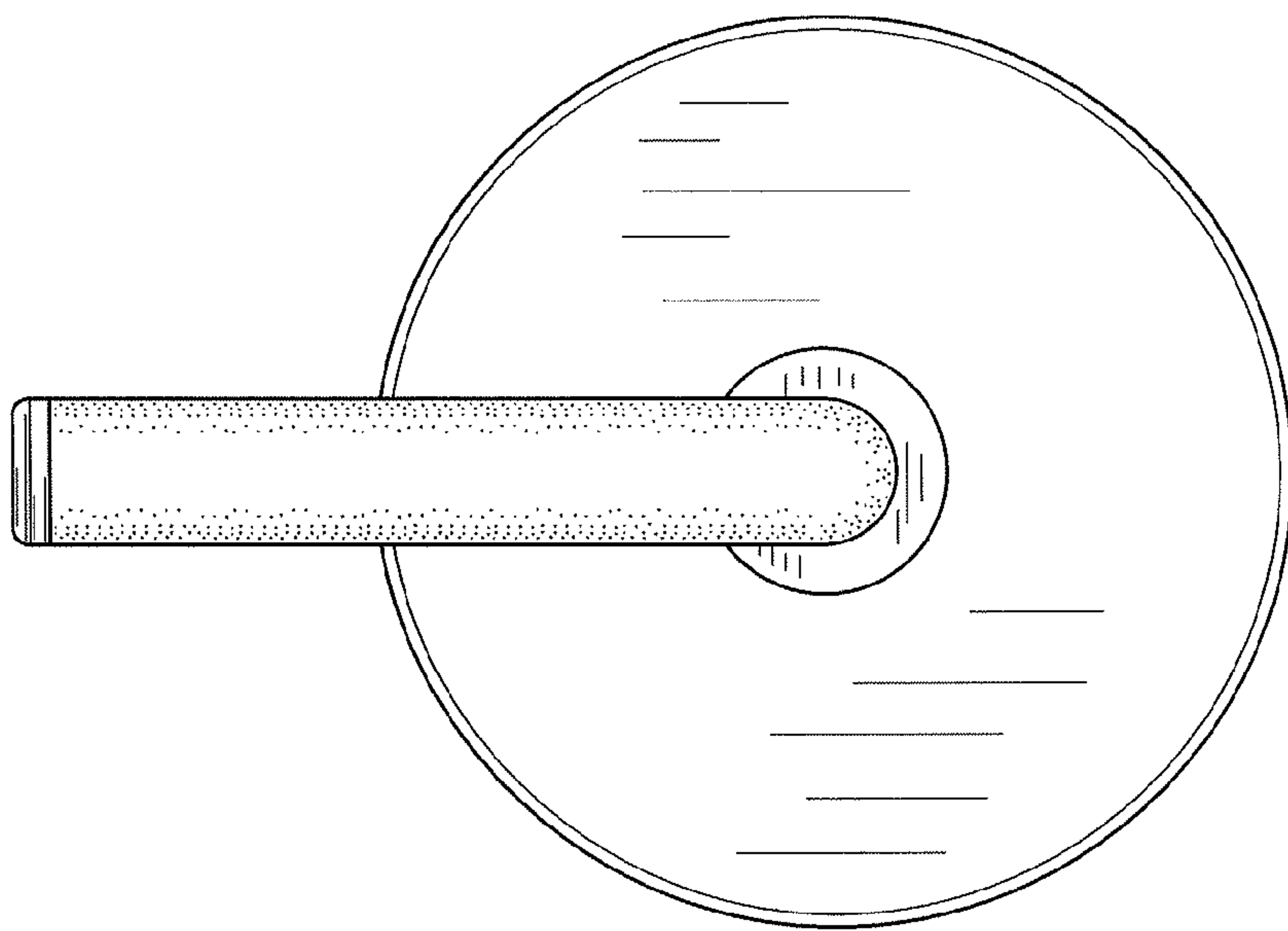


FIG. 4

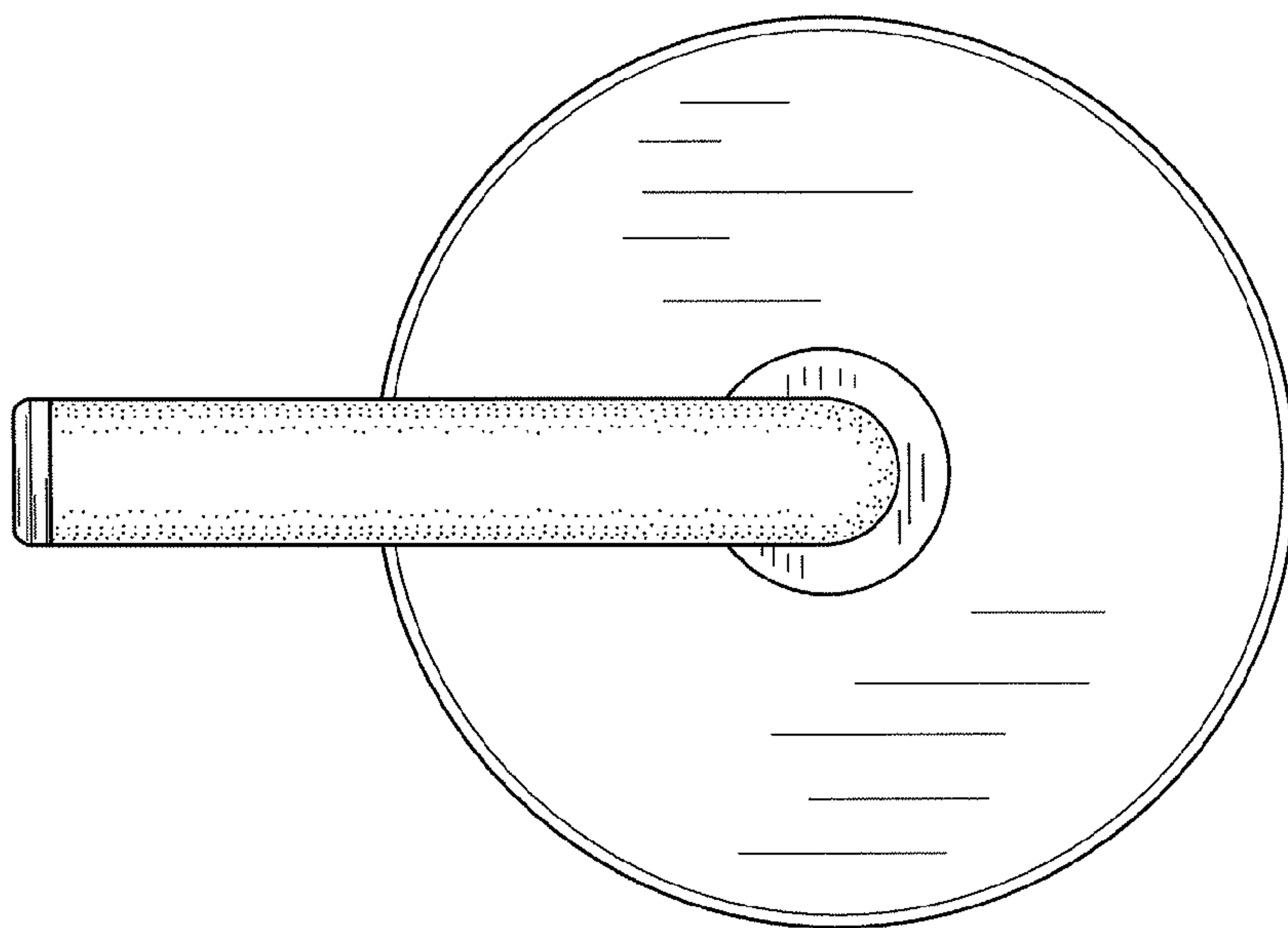


FIG. 3

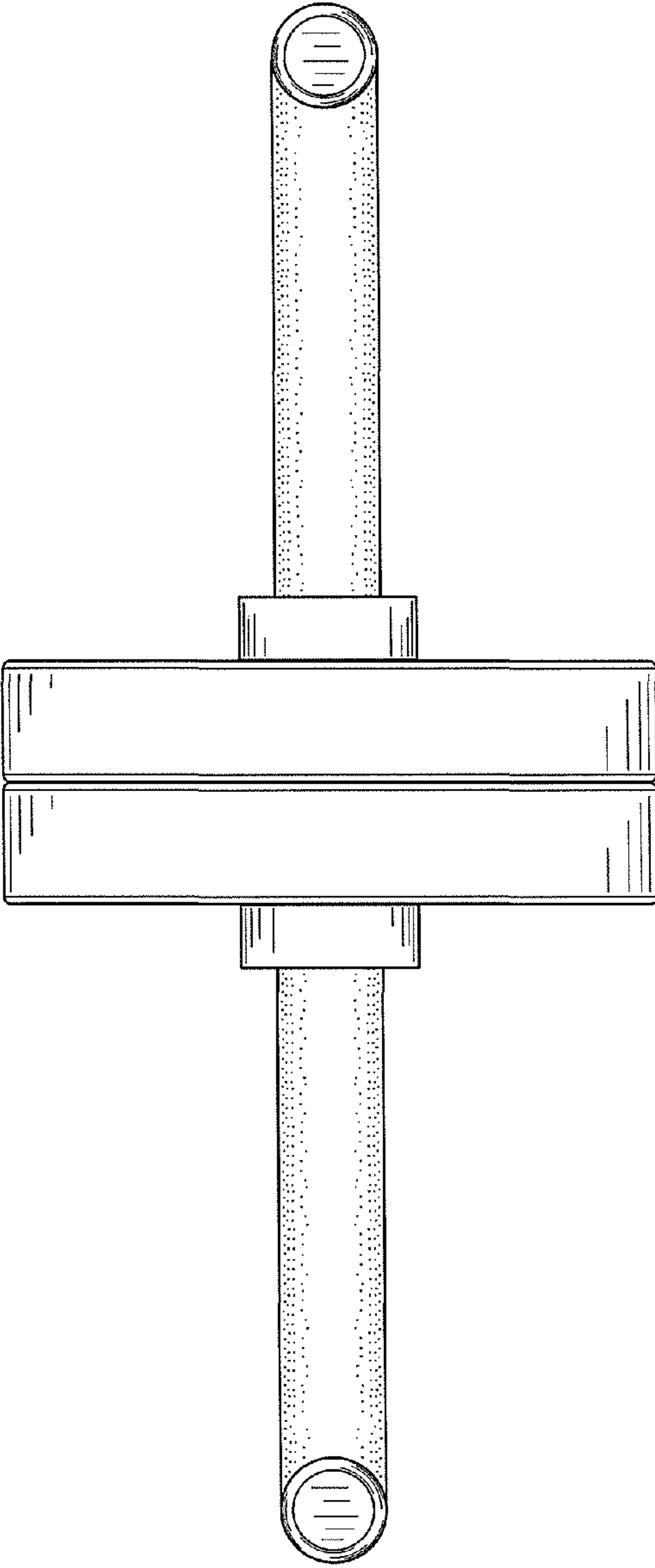


FIG. 5

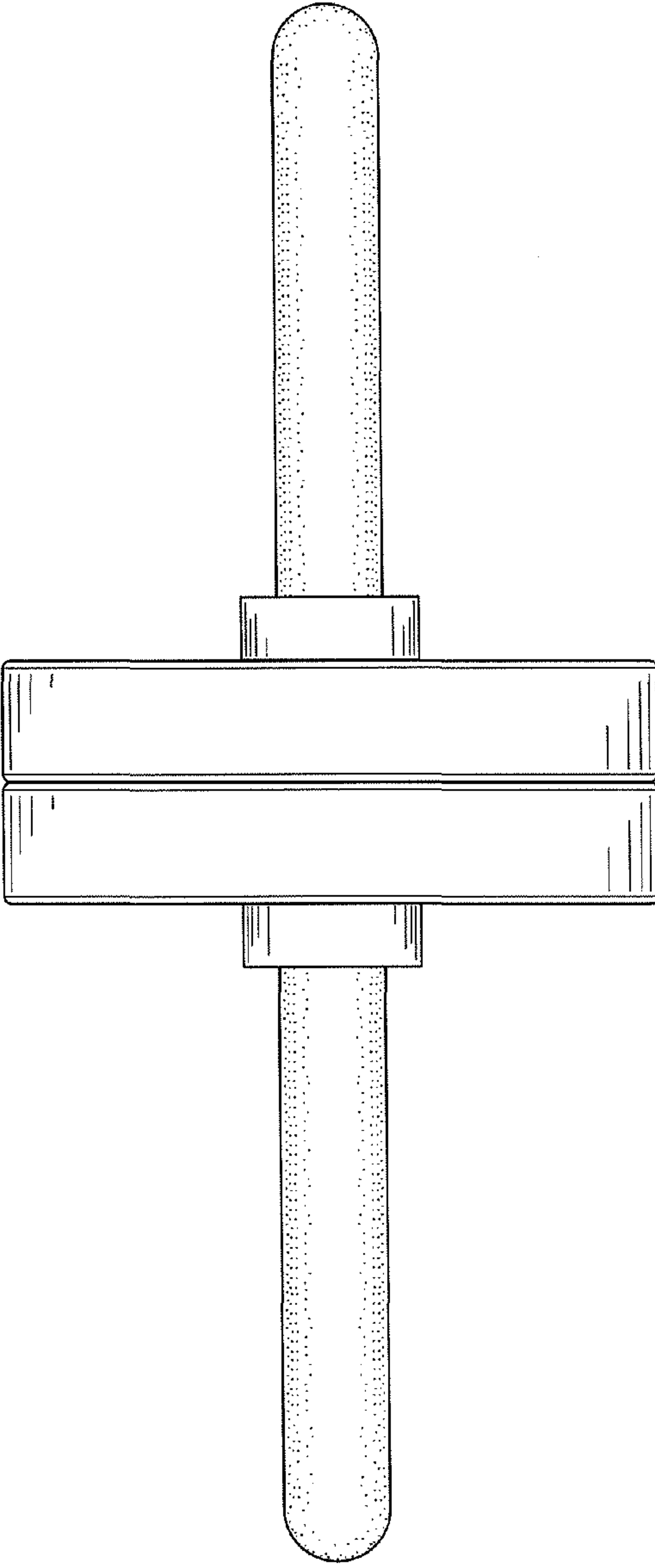


FIG. 6