



US00D679346S

(12) **United States Design Patent**
Gustavsson et al.

(10) **Patent No.:** **US D679,346 S**
(45) **Date of Patent:** **** Apr. 2, 2013**

(54) **EXERCISE AID**
(75) Inventors: **Dan Gustavsson**, Tvaaker (SE); **Daniel Ljungberg**, Halmstad (SE)
(73) Assignee: **DD Company AB**, Halmstad (SE)
(**) Term: **14 Years**
(21) Appl. No.: **29/378,407**
(22) Filed: **Nov. 4, 2010**

4,730,826	A *	3/1988	Sudmeier	482/71
4,743,020	A *	5/1988	Meurer	473/434
5,116,045	A *	5/1992	Jahoda	472/92
D360,012	S *	7/1995	Wisdom	D21/699
5,934,679	A *	8/1999	Strain et al.	273/395
D442,242	S *	5/2001	Rajacich	D21/705
6,352,481	B1 *	3/2002	Pak	473/219
6,837,809	B2 *	1/2005	Majumdar	473/454
D509,872	S *	9/2005	Alberti	D21/780
D510,399	S *	10/2005	Myslinski	D21/788
D515,151	S *	2/2006	Proud et al.	D21/662
D518,136	S *	3/2006	Myslinski	D21/788
7,677,993	B2 *	3/2010	McTavish	473/459
2003/0060309	A1 *	3/2003	Smith, IV	473/431

* cited by examiner

(30) **Foreign Application Priority Data**
May 6, 2010 (EM) 001704925-001
May 6, 2010 (EM) 001704925-002
May 6, 2010 (EM) 001704925-003

Primary Examiner — Susan E Krakower
(74) *Attorney, Agent, or Firm* — Bachman & LaPointe, P.C.

(51) **LOC (9) Cl.** **21-02**
(52) **U.S. Cl.** **D21/662; D21/797**
(58) **Field of Classification Search** D21/662,
D21/672, 686, 694, 699, 704-705, 780, 788,
D21/797, 814; 482/16, 27, 28, 29, 30, 71,
482/130, 780; 473/219, 431, 434, 435, 454,
473/459

(57) **CLAIM**
The ornamental design for an exercise aid, as shown and described.

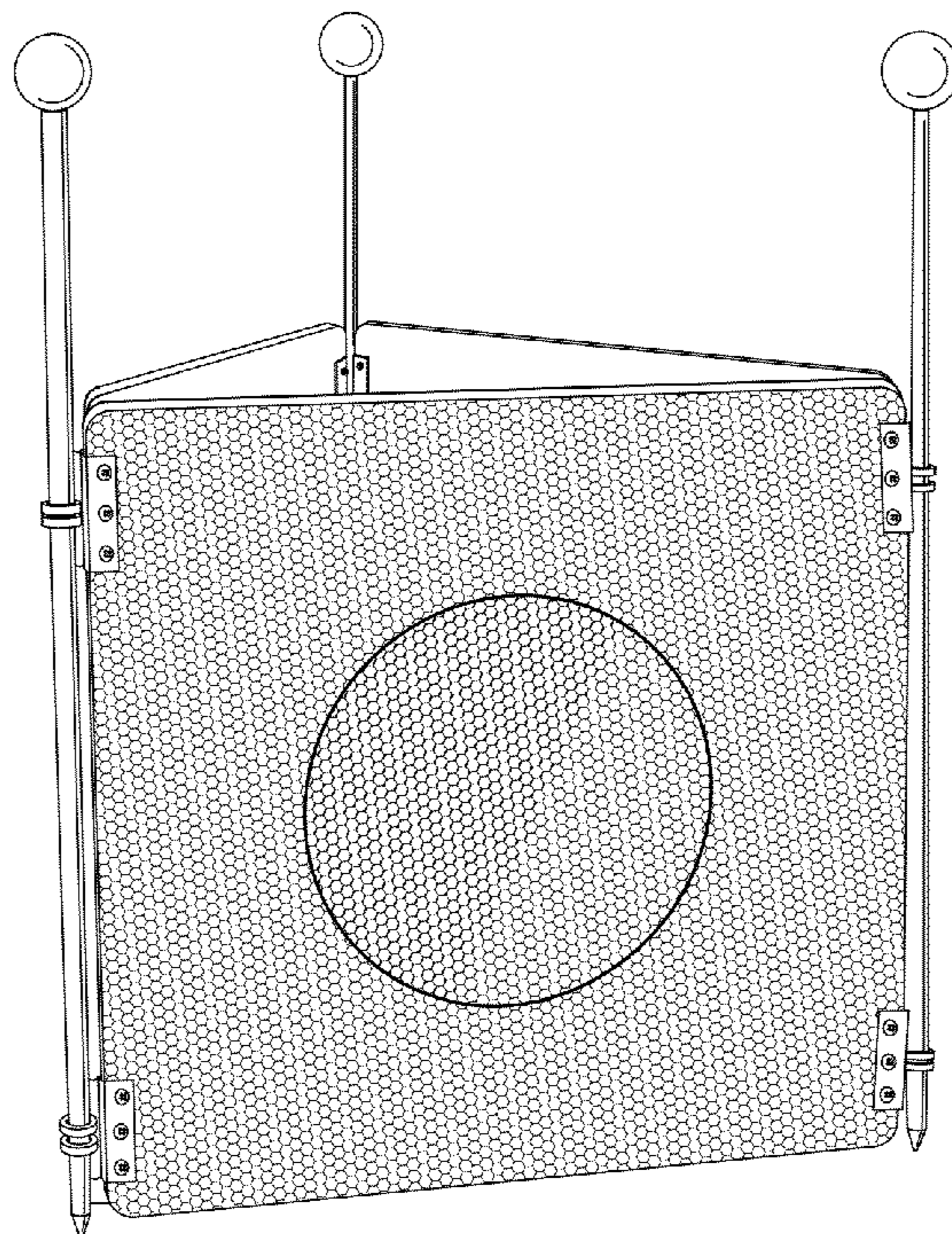
See application file for complete search history.

DESCRIPTION

(56) **References Cited**
U.S. PATENT DOCUMENTS
2,461,682 A * 2/1949 De Ferrari 482/130
3,206,196 A * 9/1965 Jackson 473/435
4,008,892 A * 2/1977 Nissen 482/16
4,093,218 A * 6/1978 Burchers 473/435
4,650,189 A * 3/1987 Rajacich 473/434

FIG. 1 is a front and side perspective view of an exercise aid showing our new design;
FIG. 2 is a front view of an exercise aid shown in an alternate orientation with the legs in a raised position;
FIG. 3 is a front view of a single panel of the exercise aid of FIG. 1 without any legs and without being joined to any other panel;
FIG. 4 is a perspective view of an exercise aid of FIG. 2, shown in an open position; and,
FIG. 5 is a perspective view of an exercise aid of FIG. 2.

1 Claim, 5 Drawing Sheets



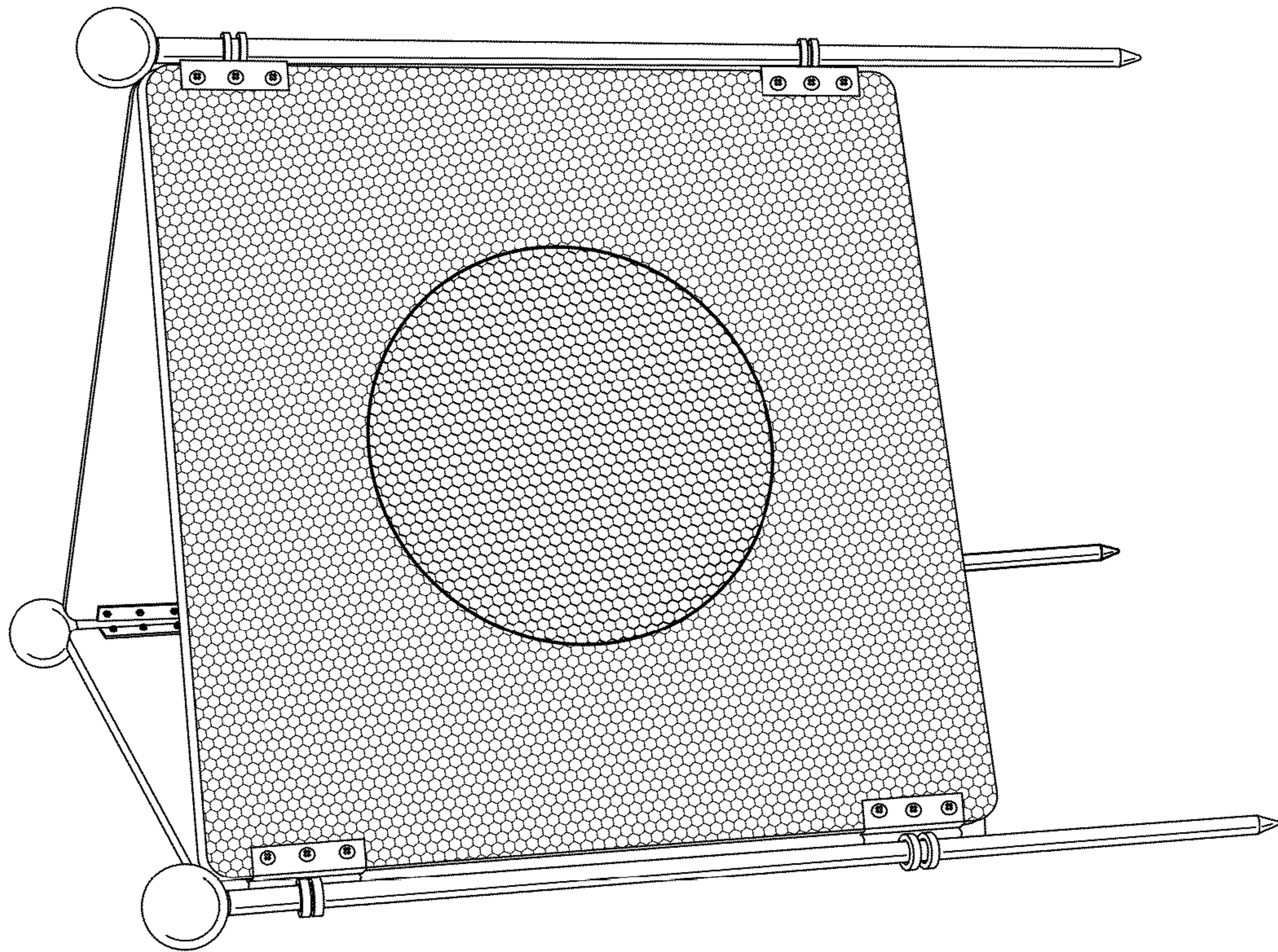


FIG. 1

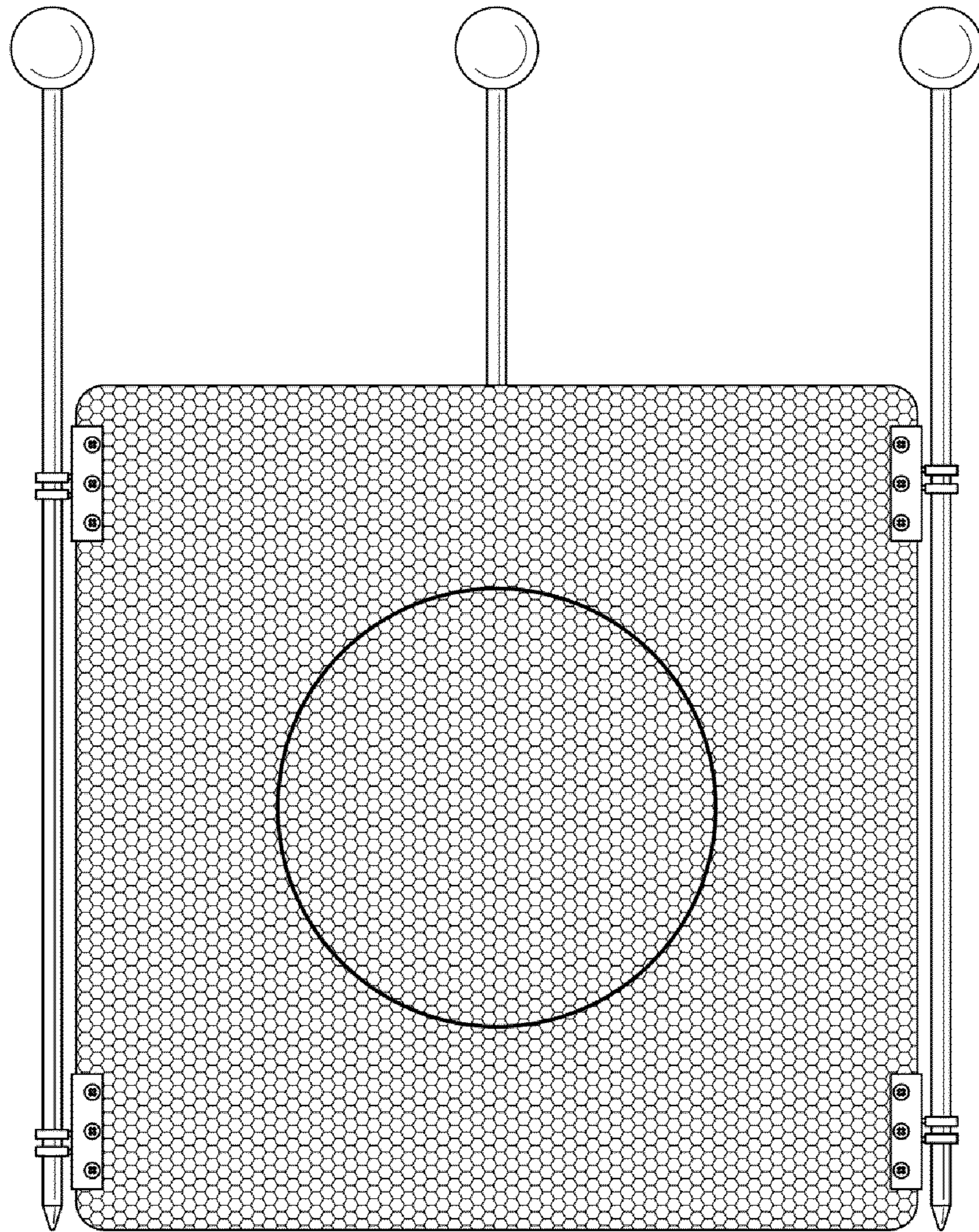


FIG. 2

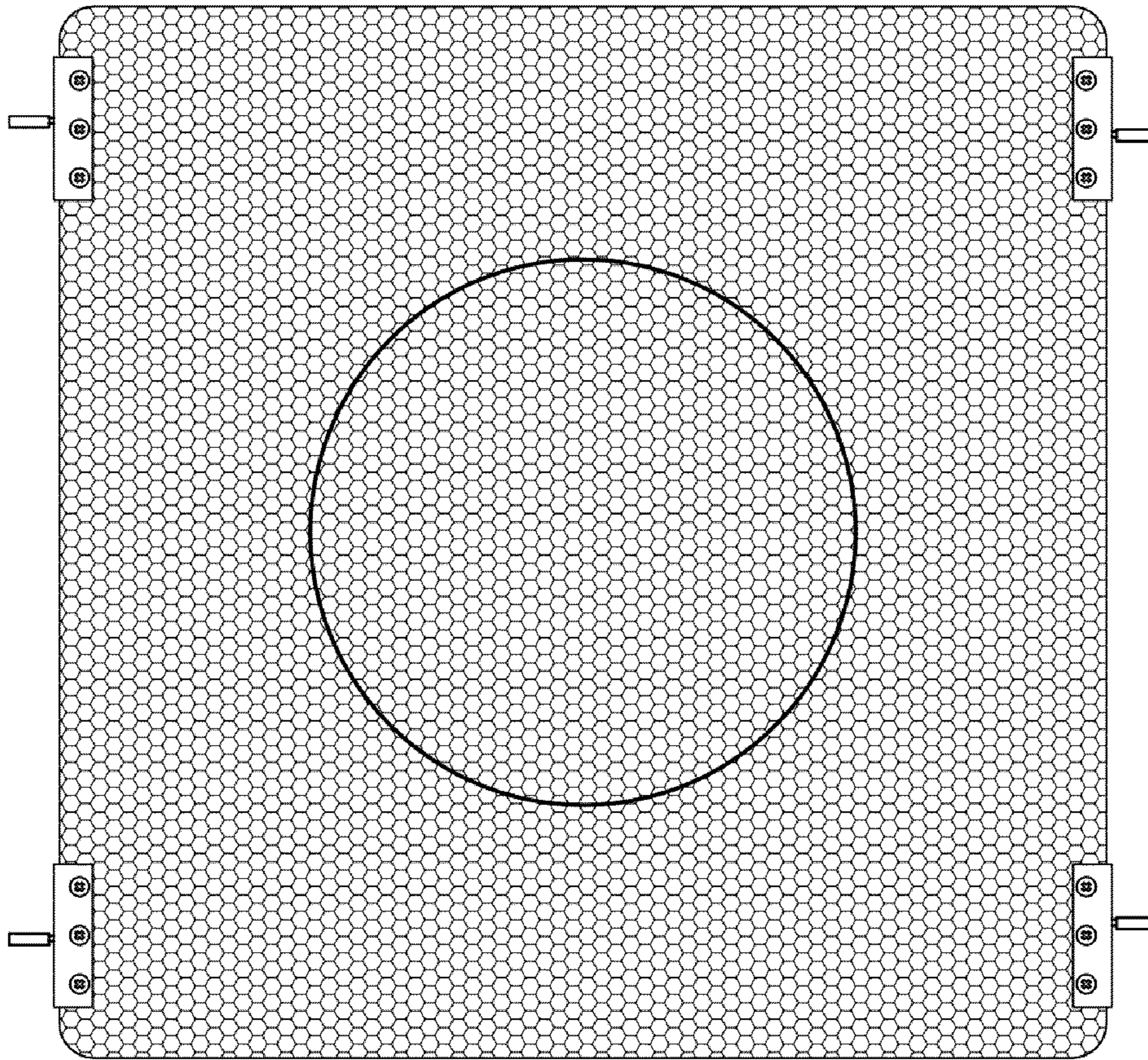


FIG. 3

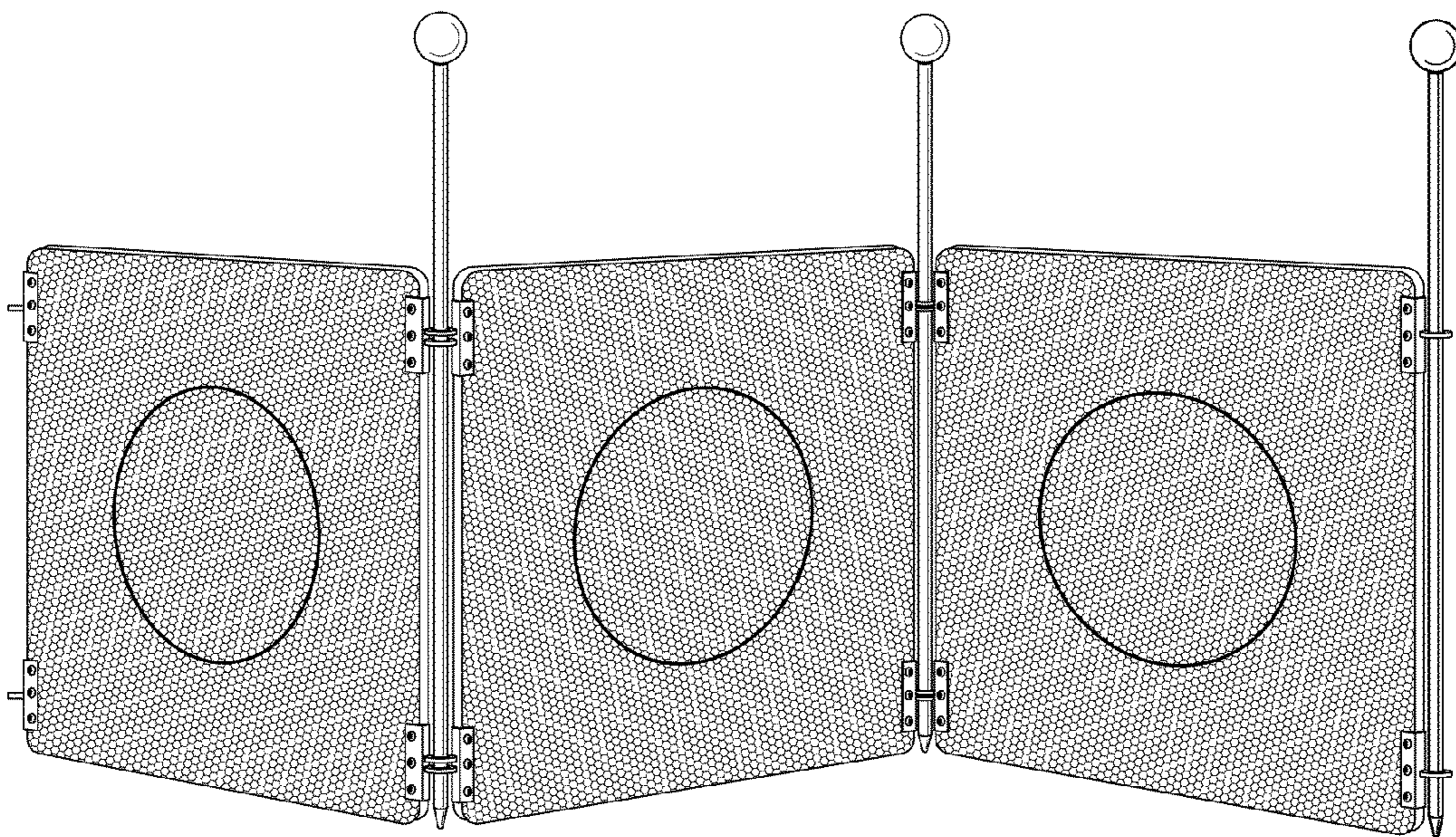


FIG. 4

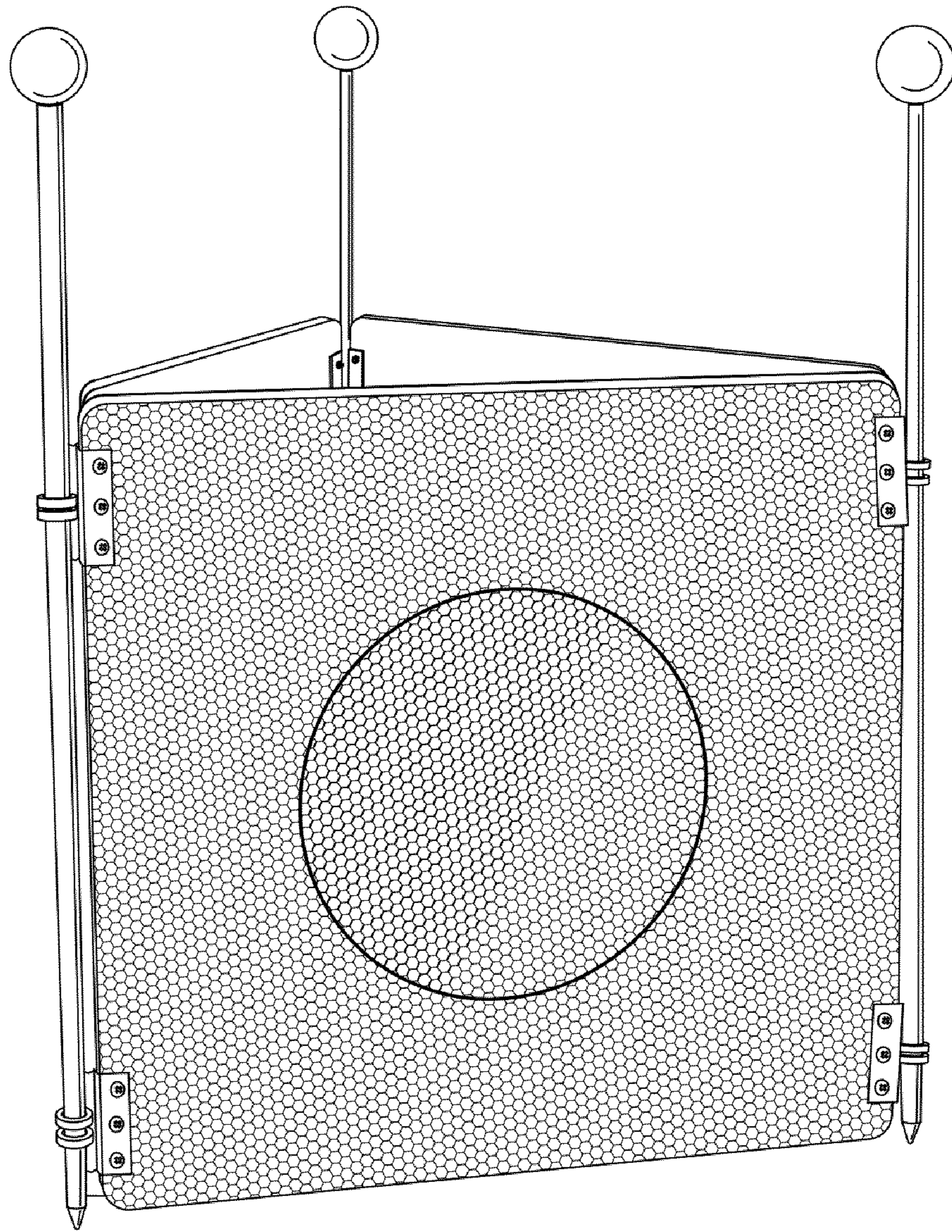


FIG. 5