



US00D679342S

(12) **United States Design Patent**  
**Coulter**

(10) **Patent No.:** **US D679,342 S**

(45) **Date of Patent:** **\*\* Apr. 2, 2013**

(54) **PAINTBALL GUN BOLT**

(76) Inventor: **Todd Coulter**, Memphis, TN (US)

(\*\*) Term: **14 Years**

(21) Appl. No.: **29/414,679**

(22) Filed: **Mar. 1, 2012**

(51) **LOC (9) Cl.** ..... **21-01**

(52) **U.S. Cl.** ..... **D21/573**

(58) **Field of Classification Search** ..... D21/567,  
D21/570, 572, 573, 574, 575; D22/100,  
D22/101, 103, 108, 109; 124/25, 41.1, 45,  
124/49, 51.1, 55, 56, 69, 70-74, 76, 79; 42/15,  
42/16, 69.02, 69.03, 142; 89/1.42

See application file for complete search history.

(56) **References Cited**

**U.S. PATENT DOCUMENTS**

6,213,112	B1 *	4/2001	Squire	124/74
D478,146	S *	8/2003	Wygant	D22/108
6,715,480	B2 *	4/2004	Dziob	124/73
7,077,117	B1 *	7/2006	Chu	124/32
D571,415	S *	6/2008	Jones	D21/573
7,591,262	B2 *	9/2009	Jones et al.	124/77
7,878,184	B2 *	2/2011	Klarborg	124/65
7,946,283	B2 *	5/2011	Lee et al.	124/67
2010/0022160	A1 *	1/2010	Lee et al.	446/473

**OTHER PUBLICATIONS**

<http://www.pbnation.com/showthread.php?t=3300197> Posted Jan. 18, 2010, accessed Oct. 9, 2012.\*

<http://www.pbnation.com/showthread.php?t=2953028> Posted Jan. 2, 2009, accessed Oct. 9, 2012.\*

\* cited by examiner

*Primary Examiner* — Cynthia M Chin

(74) *Attorney, Agent, or Firm* — QuickPatents; Kevin Prince

(57) **CLAIM**

I claim the ornamental design for a paintball gun bolt, as shown and described.

**DESCRIPTION**

FIG. 1 is a perspective view of a paintball gun bolt, showing my new design;

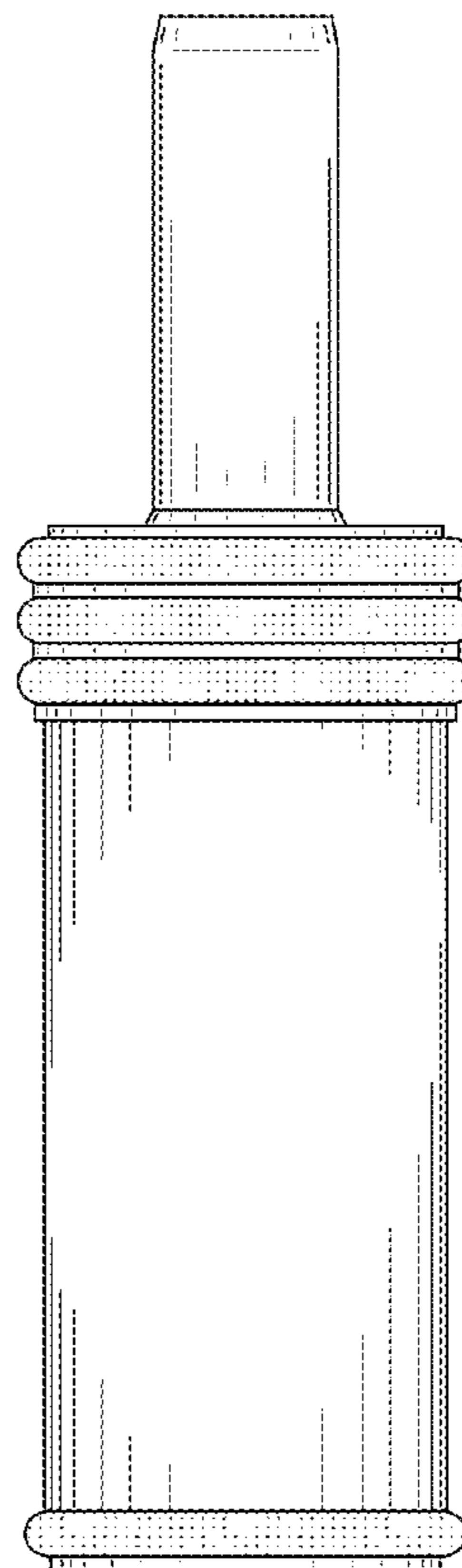
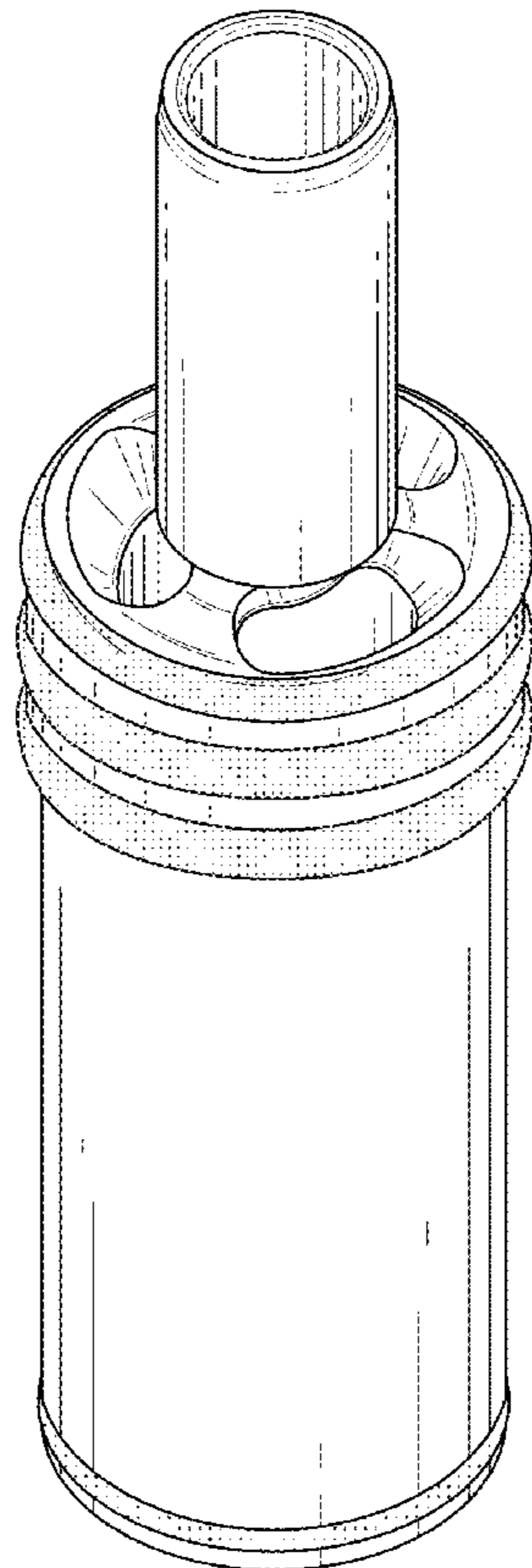
FIG. 2 is a front elevational view of FIG. 1, the rear elevational view, left-side elevational view, and right-side elevational view all being mirror images thereof;

FIG. 3 is a top plan view of FIG. 1; and,

FIG. 4 is a bottom plan view of FIG. 1.

The broken lines in FIG. 3 represent portions of the article that form no part of the claim.

**1 Claim, 2 Drawing Sheets**



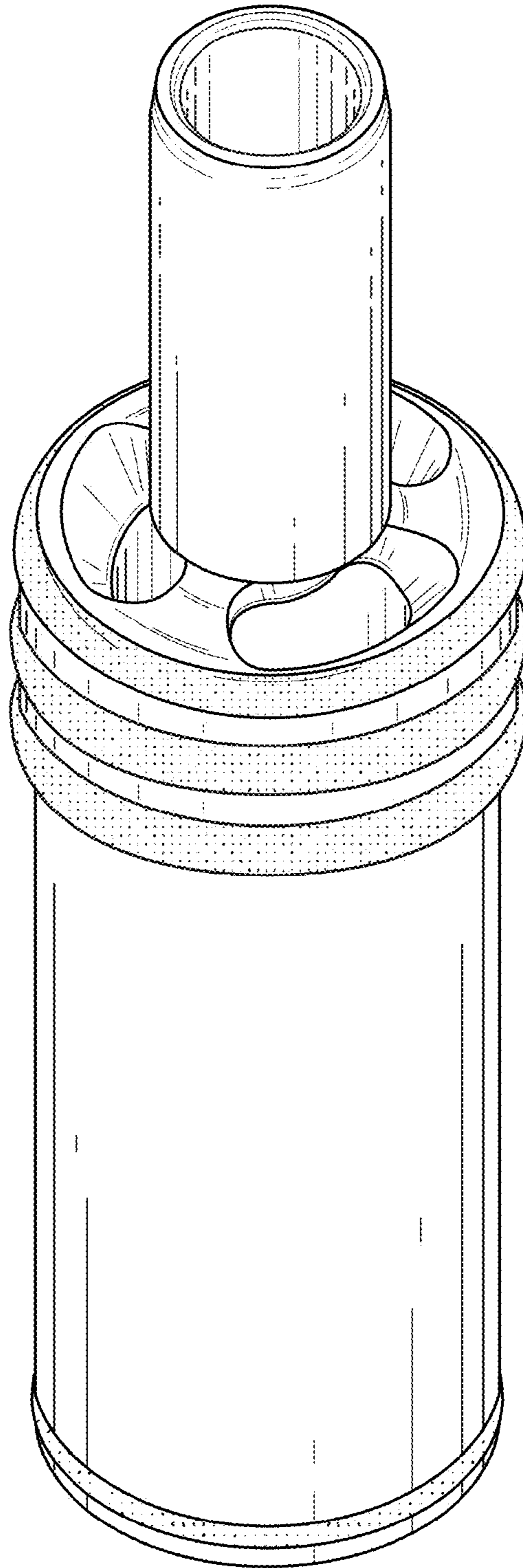


FIG. 1

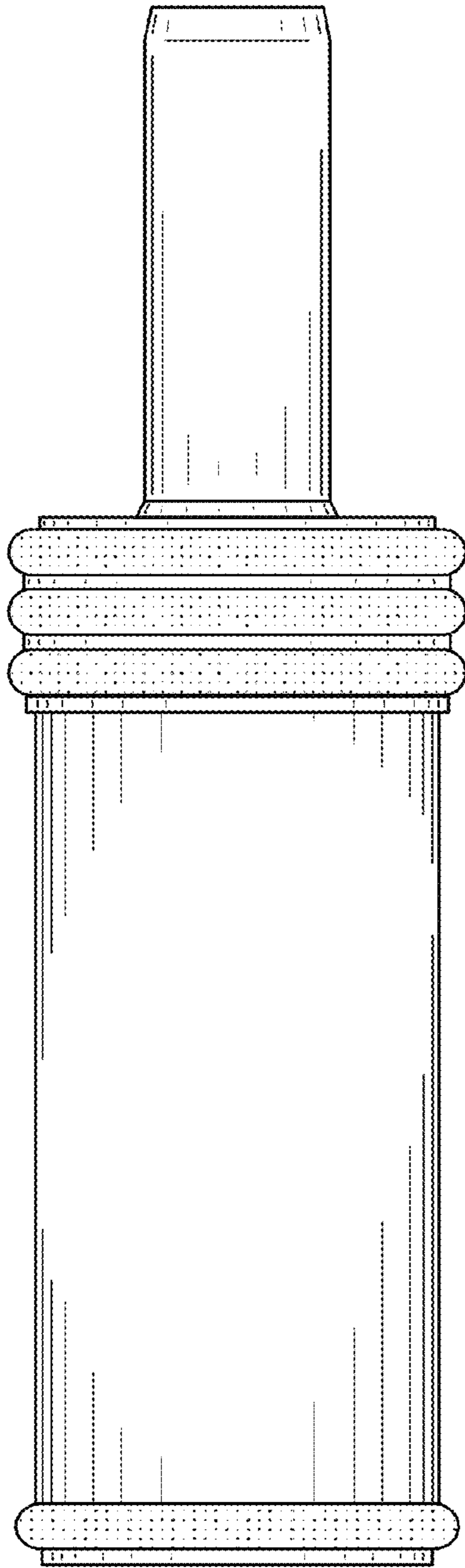


FIG. 2

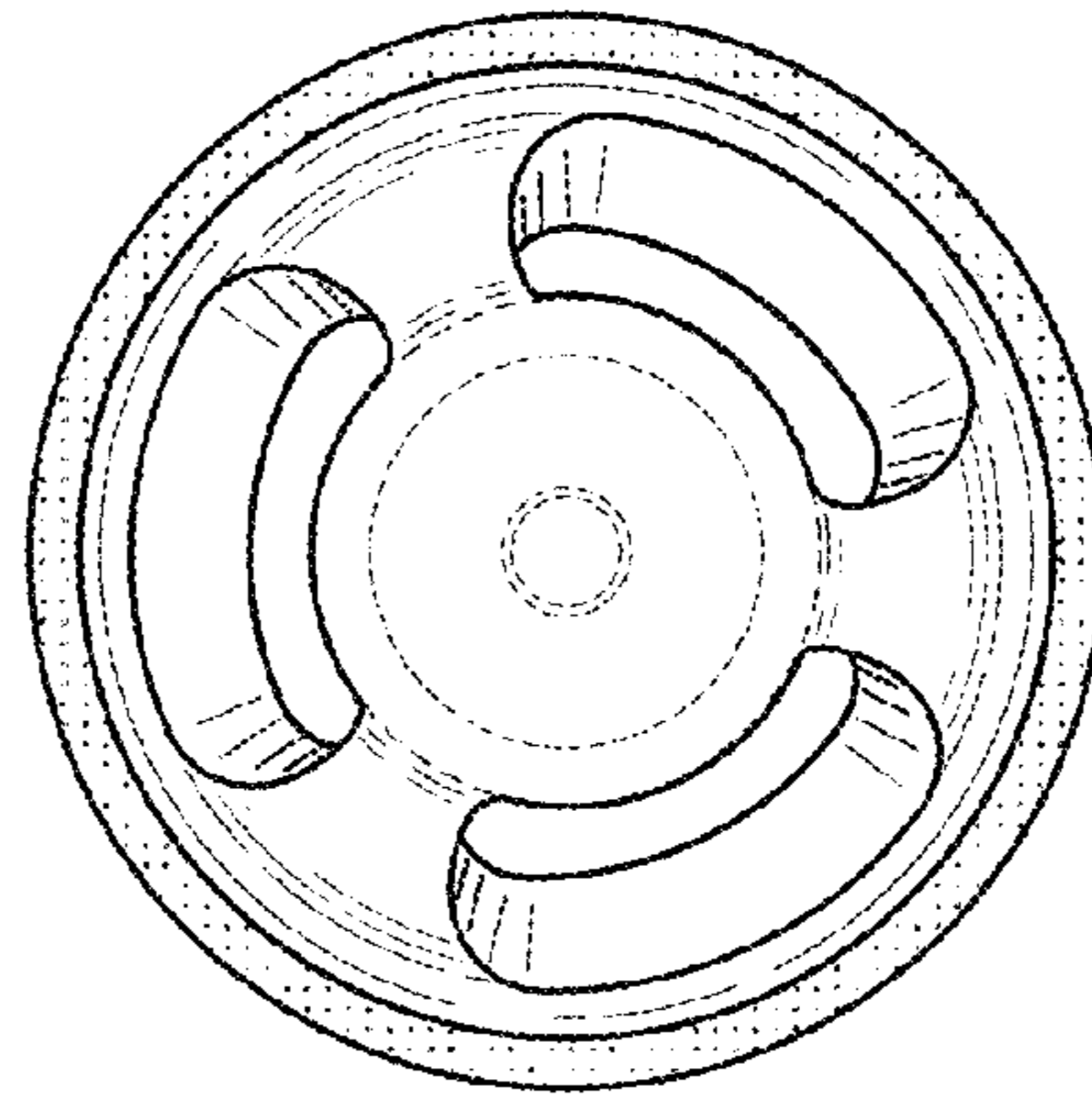


FIG. 3

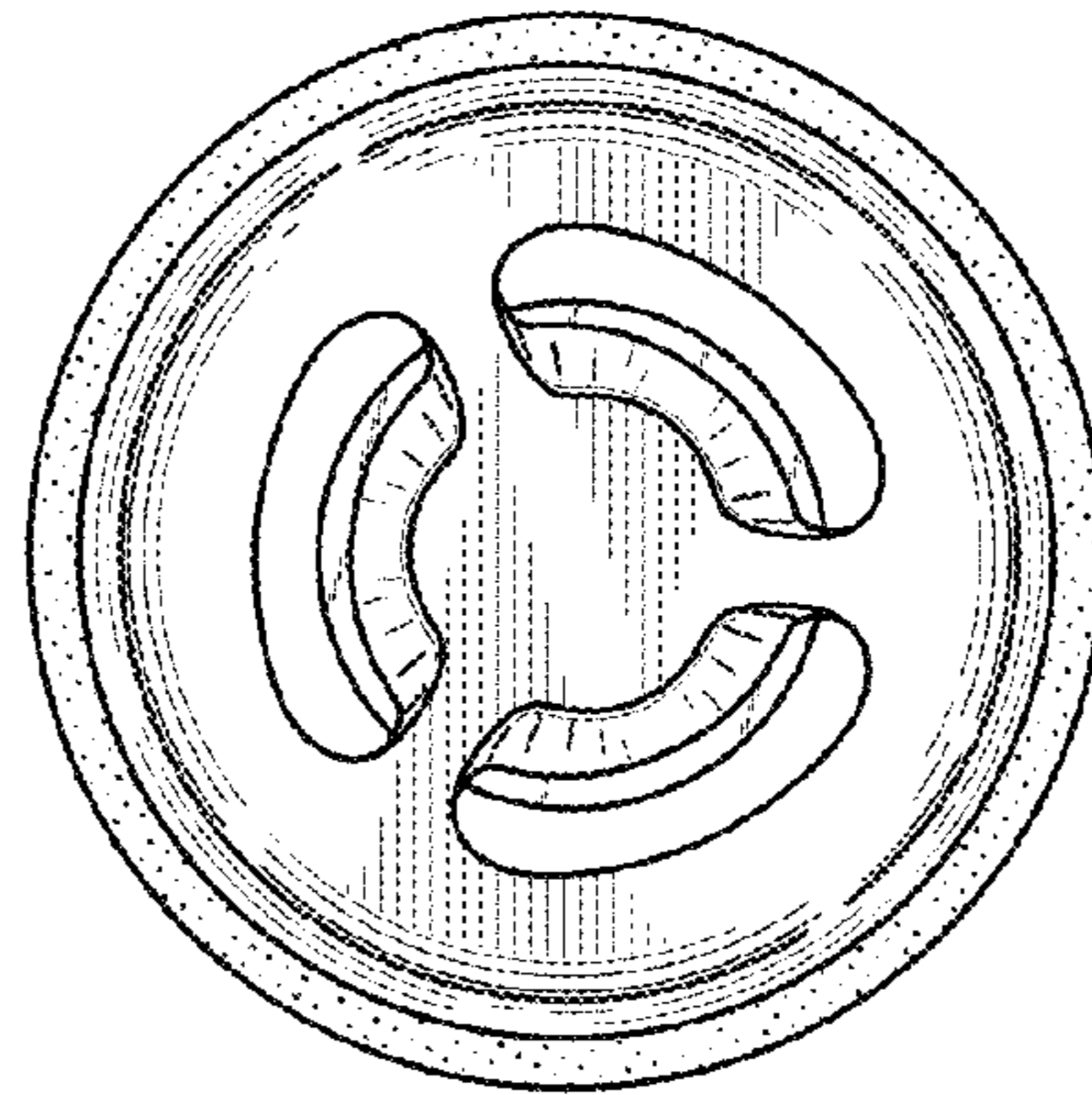


FIG. 4