

US00D679341S

(12) **United States Design Patent**  
**Riley**

(10) **Patent No.:** **US D679,341 S**  
(45) **Date of Patent:** **\*\* Apr. 2, 2013**

(54) **PAINTBALL HOPPER FEED COVER**

(76) Inventor: **Damian Riley**, Berlin (DE)

(\*\*) Term: **14 Years**

(21) Appl. No.: **29/414,050**

(22) Filed: **Feb. 24, 2012**

(51) **LOC (9) Cl.** ..... **21-01**

(52) **U.S. Cl.** ..... **D21/573**

(58) **Field of Classification Search** ..... D21/567,  
D21/570-575; D22/100, 101, 103, 104,  
D22/108, 109; 124/41.1, 45, 48, 49, 51.1,  
124/55, 56, 69, 70-74, 79; D7/392, 392.1;  
D9/452, 453, 454

See application file for complete search history.

(56) **References Cited**

**U.S. PATENT DOCUMENTS**

D459,767 S *	7/2002	Rushton	.....	D21/573
D486,772 S *	2/2004	Warming	.....	D12/211
D509,259 S *	9/2005	Dennis	.....	D21/444
D562,134 S *	2/2008	Studee	.....	D9/452
D564,047 S *	3/2008	Choi	.....	D21/573

D567,303 S *	4/2008	Neumaster	.....	D21/573
D572,318 S *	7/2008	Broersma	.....	D21/573
D597,152 S *	7/2009	Kaakkola et al.	.....	D21/573
D599,615 S *	9/2009	Wang	.....	D7/392.1

\* cited by examiner

*Primary Examiner* — Cynthia M Chin

(74) *Attorney, Agent, or Firm* — QuickPatents; Kevin Prince

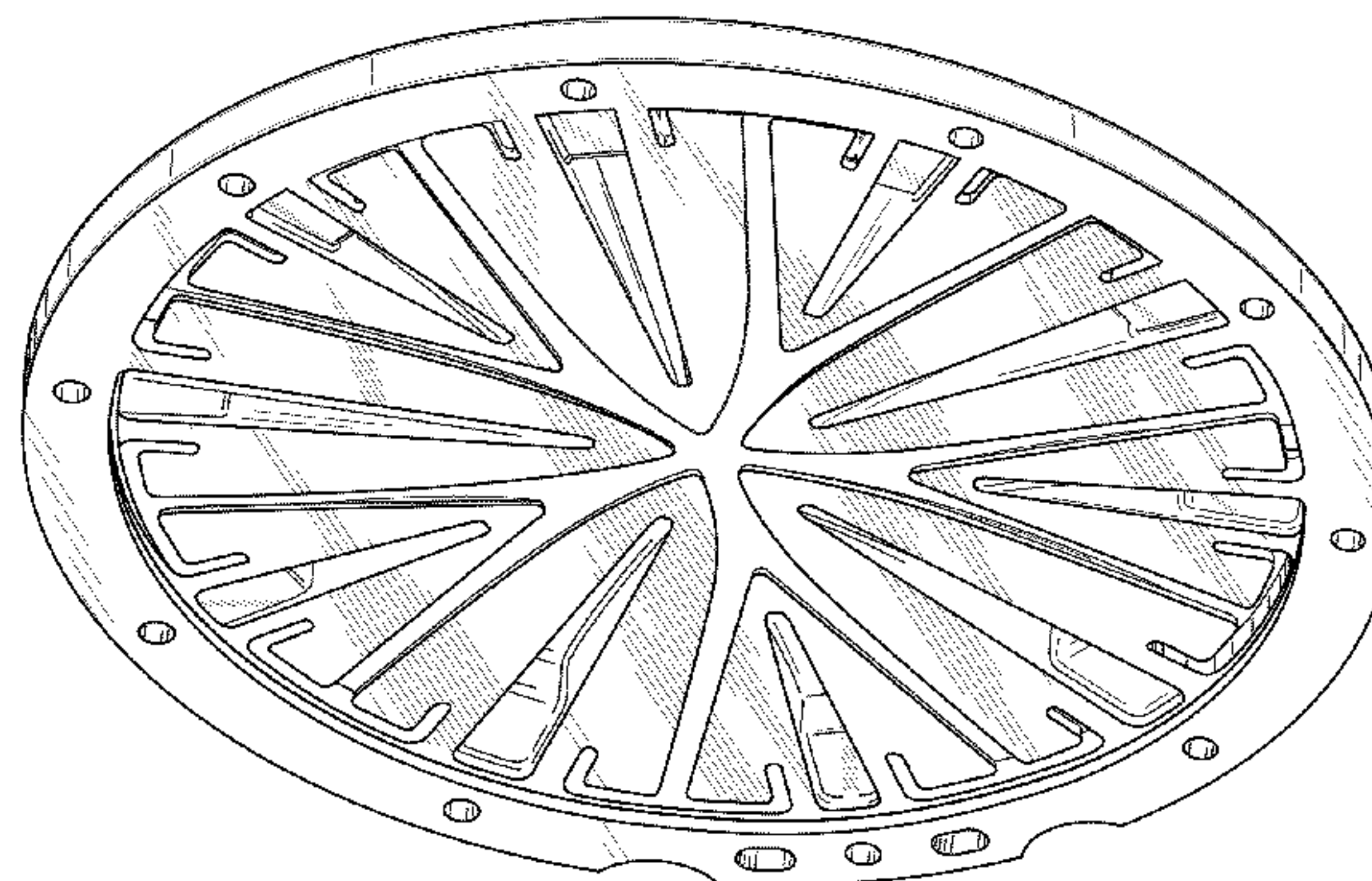
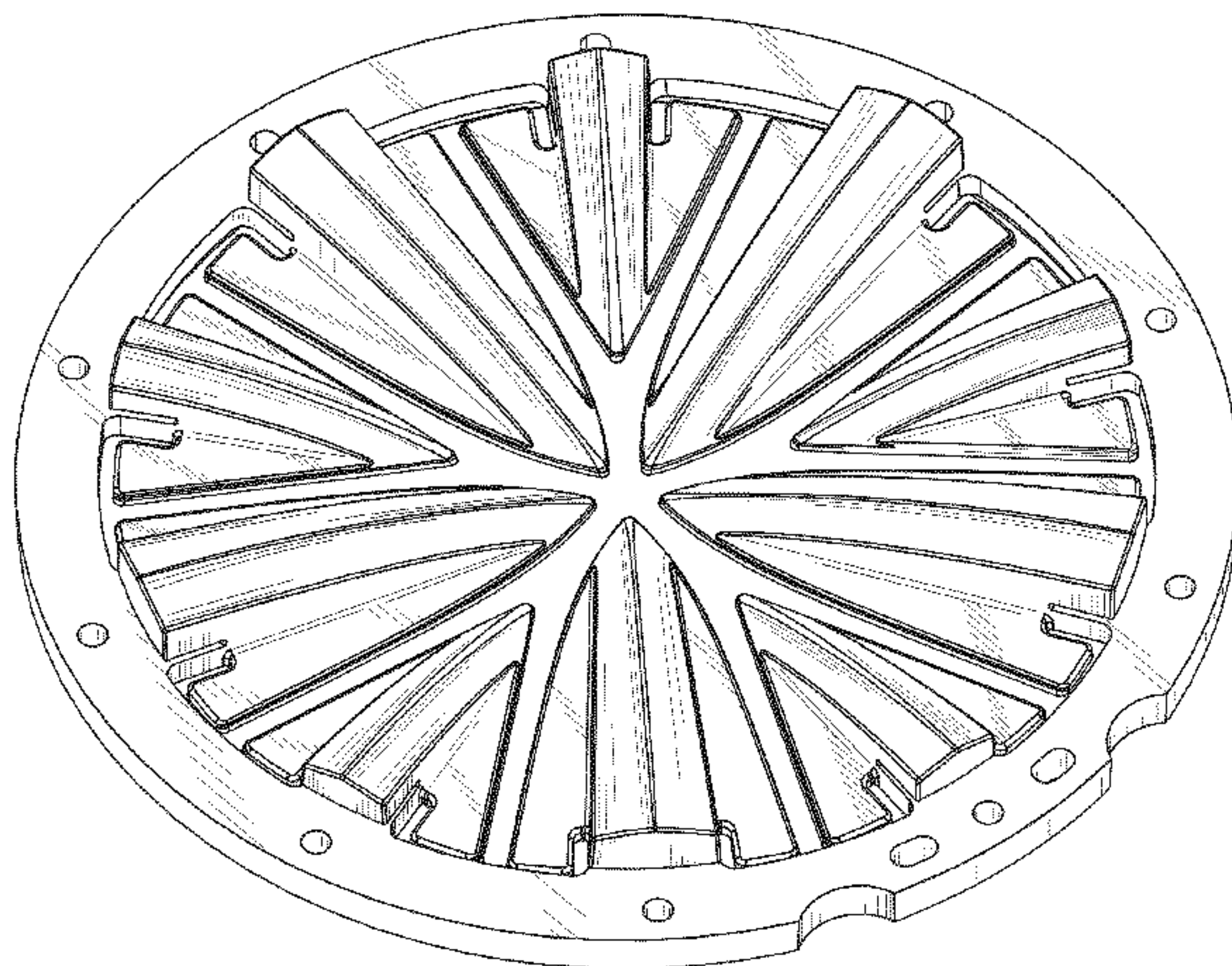
(57) **CLAIM**

I claim the ornamental design for a paintball hopper feed cover, as shown and described.

**DESCRIPTION**

FIG. 1 is a top perspective view of a paintball hopper feed cover, showing my new design;  
FIG. 2 is a top plan view thereof;  
FIG. 3 is a front elevational view thereof;  
FIG. 4 is a rear elevational view thereof;  
FIG. 5 is a bottom plan view thereof;  
FIG. 6 is a left-side elevational view thereof, the right-side elevational view being a mirror image thereof; and,  
FIG. 7 is a bottom perspective view thereof.

**1 Claim, 4 Drawing Sheets**



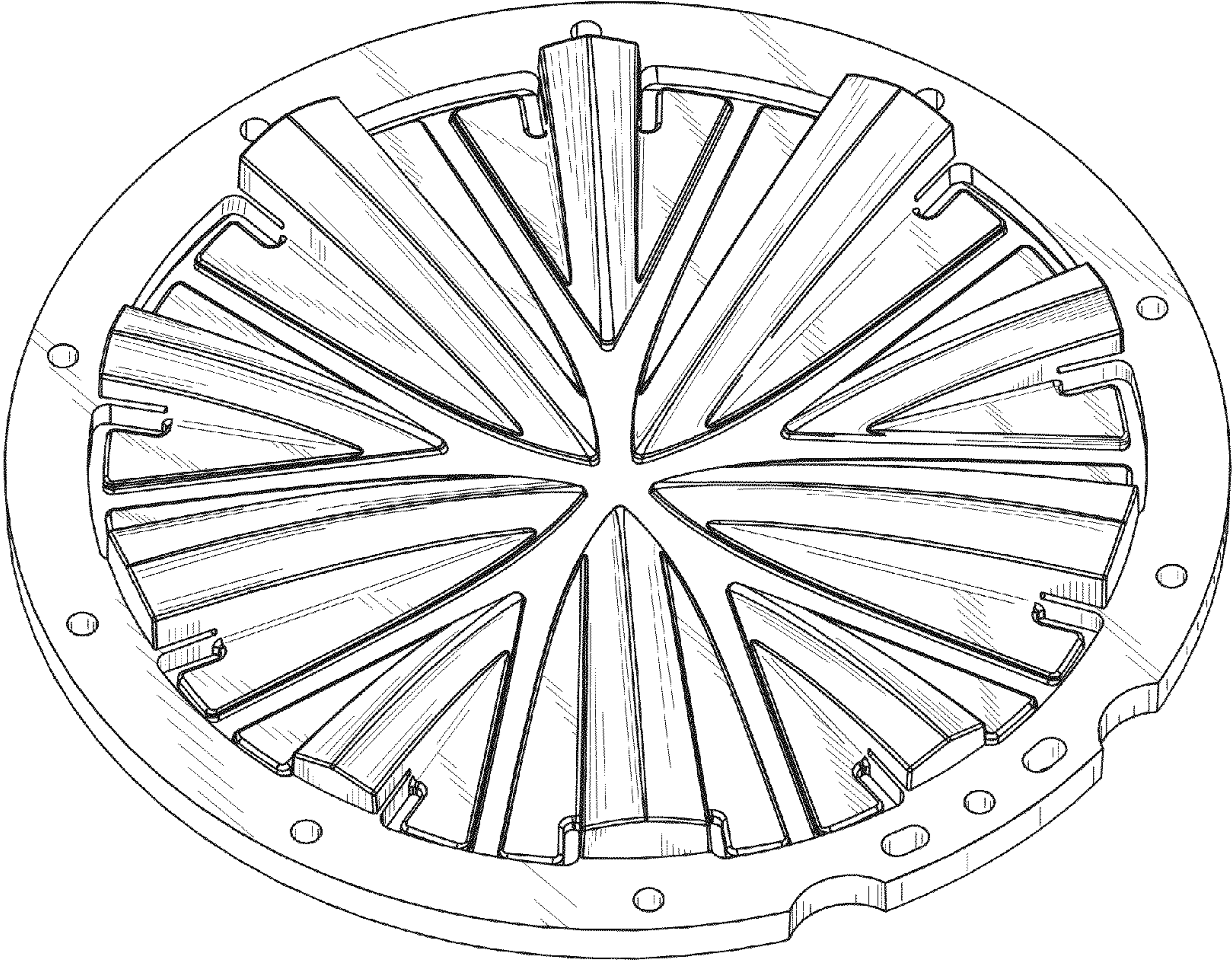


FIG. 1



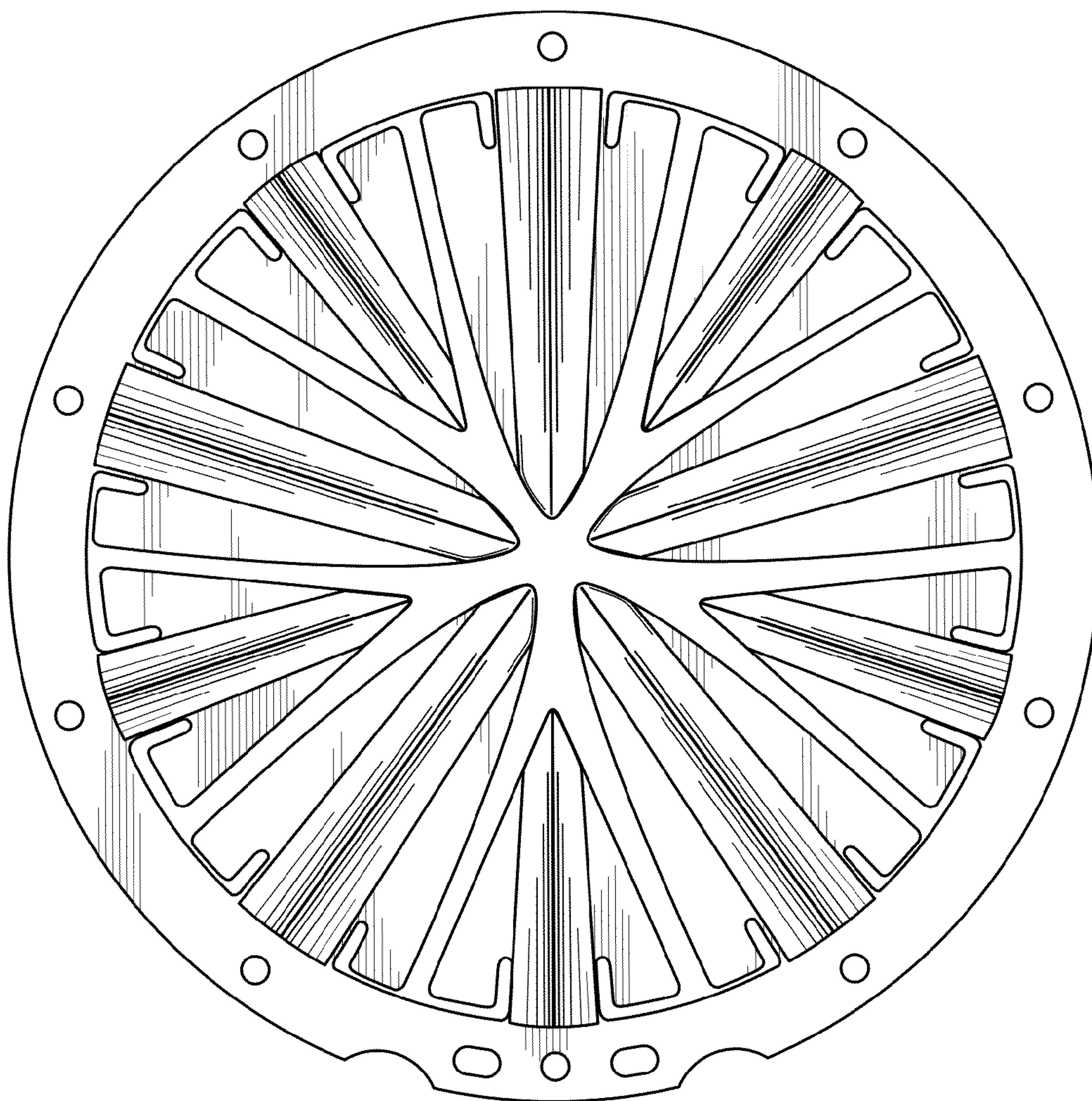


FIG. 2

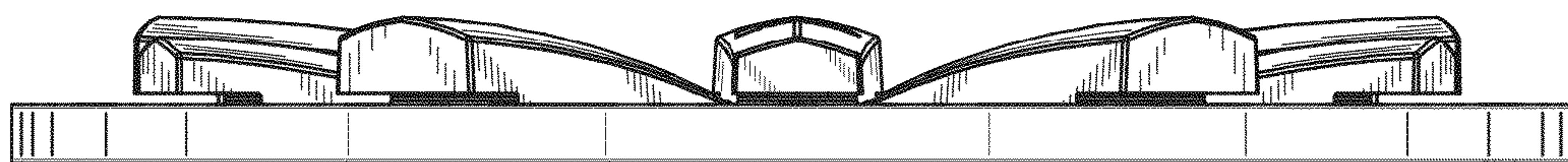


FIG. 3

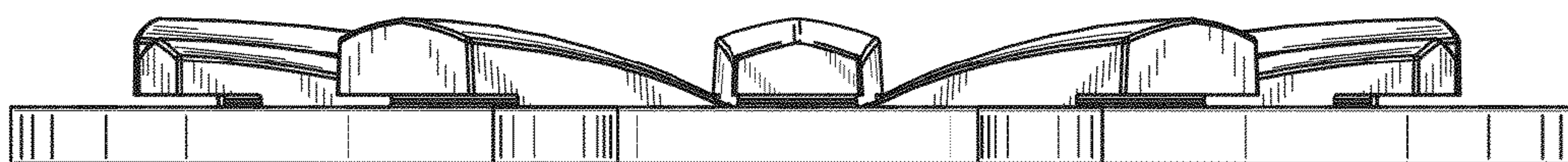


FIG. 4

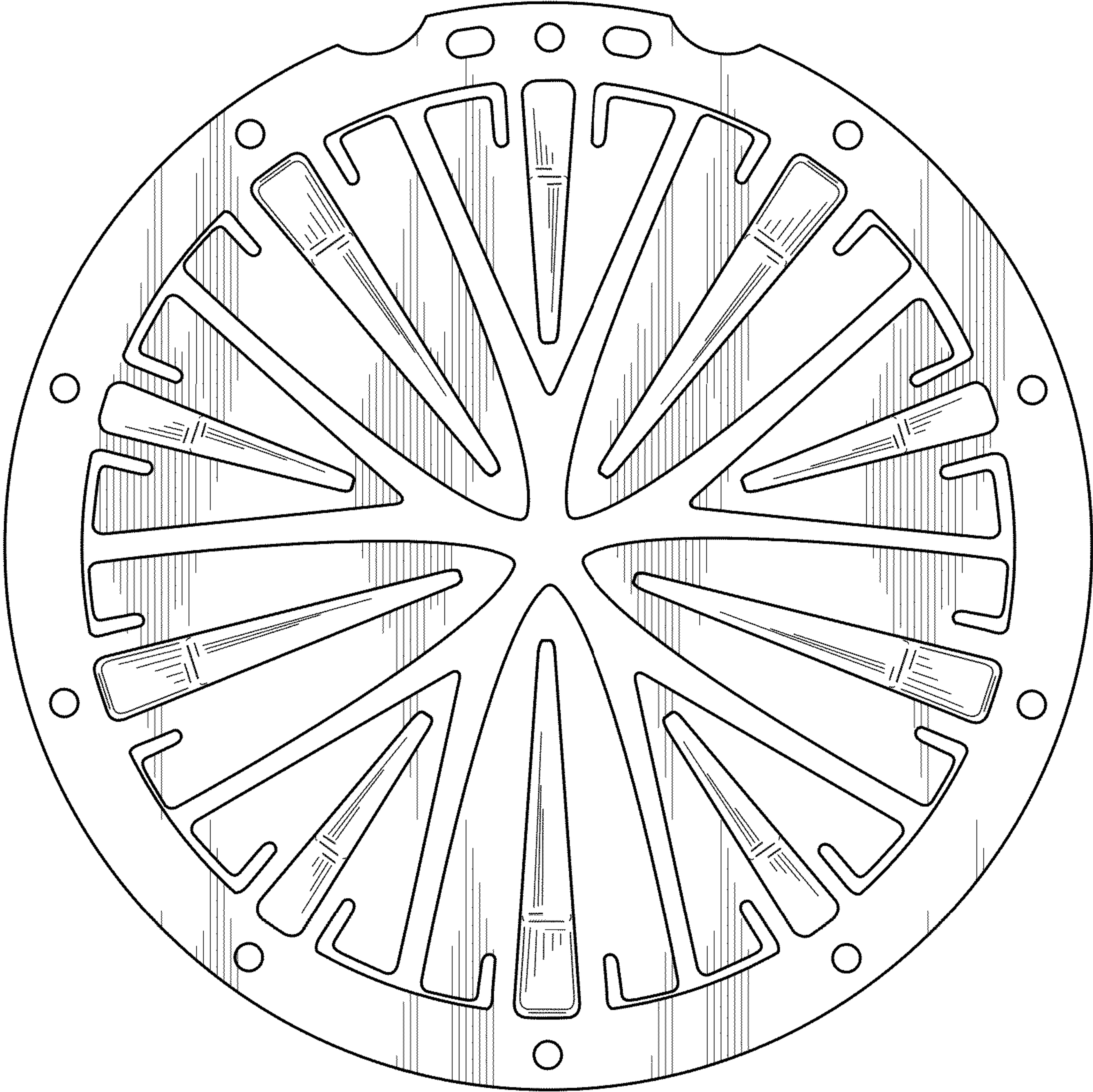


FIG. 5

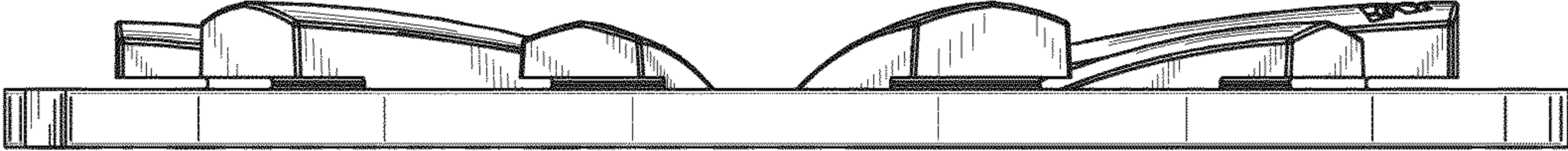


FIG. 6



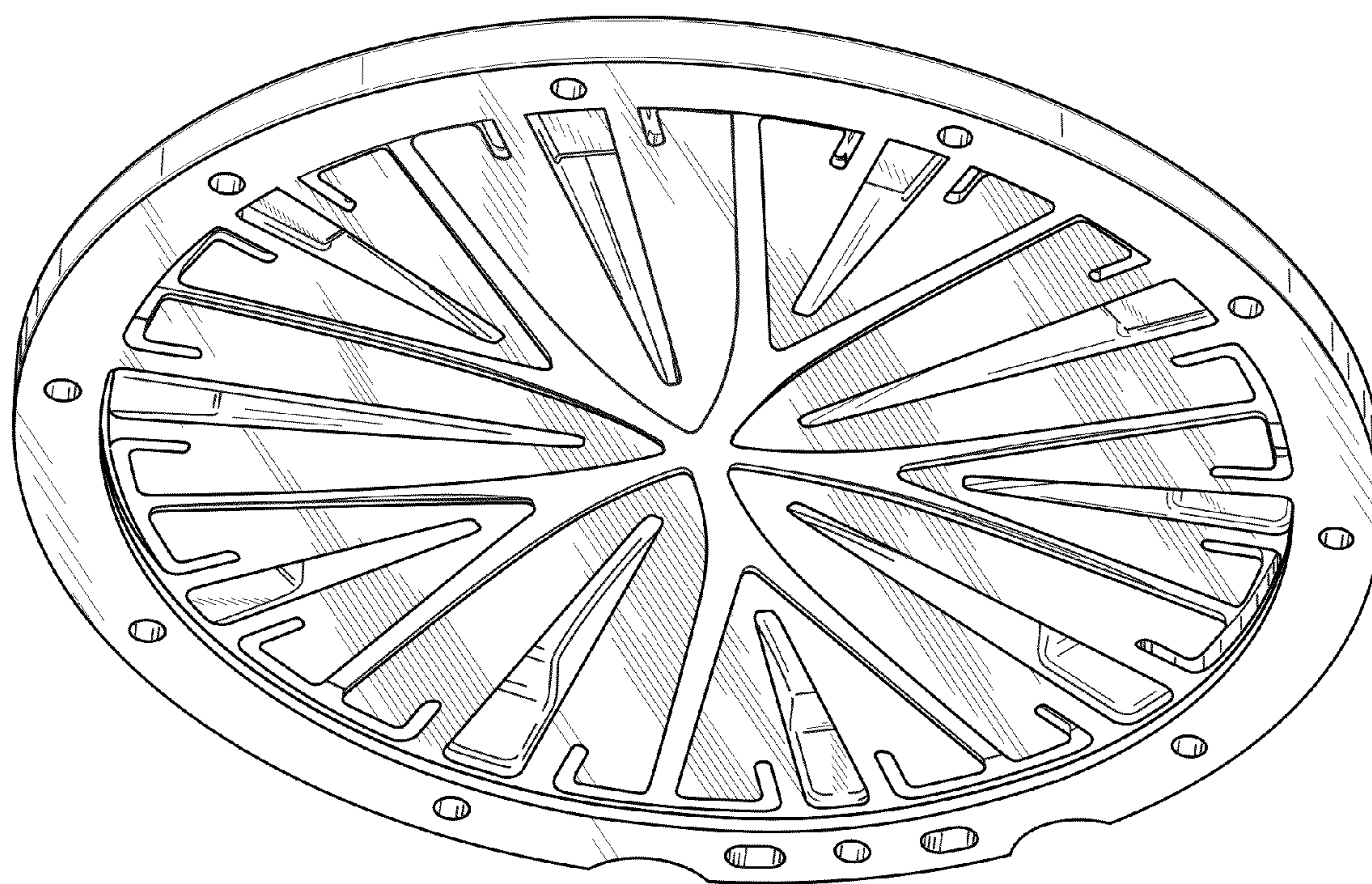


FIG. 7