



US00D679339S

(12) **United States Design Patent**
Genovese

(10) **Patent No.:** **US D679,339 S**

(45) **Date of Patent:** **** Apr. 2, 2013**

(54) **LIGHTED TOY ROCKET**

(76) **Inventor:** **Donald Genovese**, Arroyo Grande, CA
(US)

(**) **Term:** **14 Years**

(21) **Appl. No.:** **29/399,686**

(22) **Filed:** **Aug. 17, 2011**

(51) **LOC (9) Cl.** **21-01**

(52) **U.S. Cl.** **D21/452; D12/16.1**

(58) **Field of Classification Search** D12/16.1,
D12/319, 326, 343; D21/301, 312, 436,
D21/447, 448, 451, 452, 453, 454; D22/112,
D22/114, 115; D26/57, 73, 32, 94, 97, 125,
D26/138, 53, 26; 102/346, 347, 348, 501,
102/503, 514; 244/3.1, 74, 158.1, 171.1,
244/3.24, 158.9; 446/34, 52, 211, 230, 231,
446/400, 398

See application file for complete search history.

(56) **References Cited**

U.S. PATENT DOCUMENTS

D107,804 S * 1/1938 Stonzel D26/53
3,114,317 A * 12/1963 Estes 102/348
3,820,275 A * 6/1974 Green 446/212
D243,878 S * 3/1977 Kaprinyak D26/97

D252,169 S * 6/1979 Lacko, Sr. D26/97
D283,242 S * 4/1986 Wang D22/112
D337,390 S * 7/1993 Lin D26/97
6,532,948 B2 * 3/2003 Grichen 124/71
D499,821 S * 12/2004 Lee D26/26
7,297,043 B2 * 11/2007 Lam 446/211
2004/0257806 A1 * 12/2004 Wu 362/242
2005/0009440 A1 * 1/2005 Foster et al. 446/231

* cited by examiner

Primary Examiner — Janice Seeger

Assistant Examiner — Martie K Holtje

(74) *Attorney, Agent, or Firm* — Russell S. Krajec; Krajec
Patent Offices, LLC

(57) **CLAIM**

The ornamental design for a lighted toy rocket, as shown and
described.

DESCRIPTION

FIG. 1 is a top, front perspective view of a lighted toy rocket
showing my new design;

FIG. 2 is a top plan view thereof, drawn to an enlarged scale;

FIG. 3 is a bottom plan view of FIG. 2;

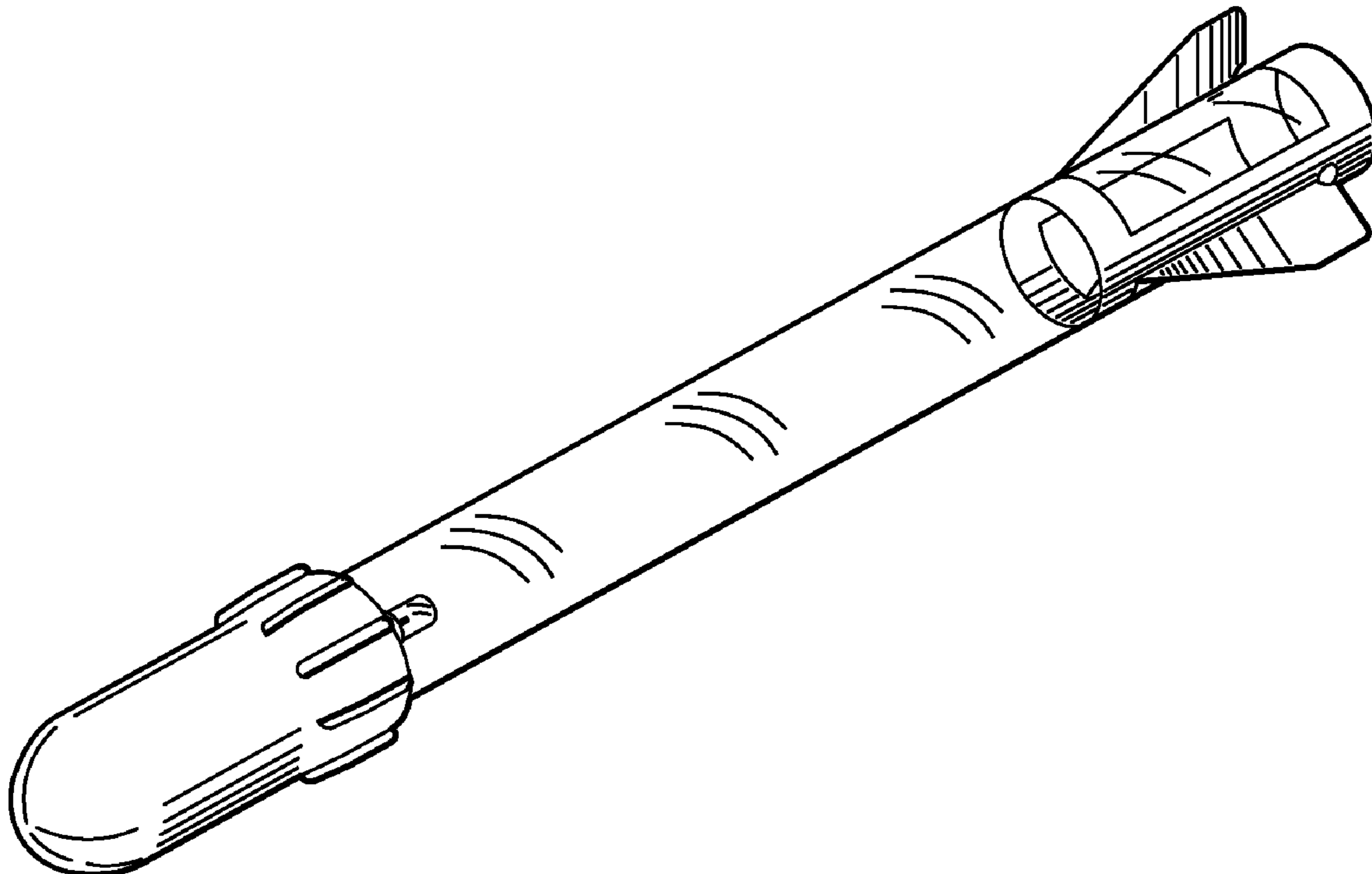
FIG. 4 is a front elevational view of FIG. 1;

FIG. 5 is a rear elevational view of FIG. 1;

FIG. 6 is a left side elevational view; and,

FIG. 7 is a right side elevational view of FIG. 1.

1 Claim, 4 Drawing Sheets



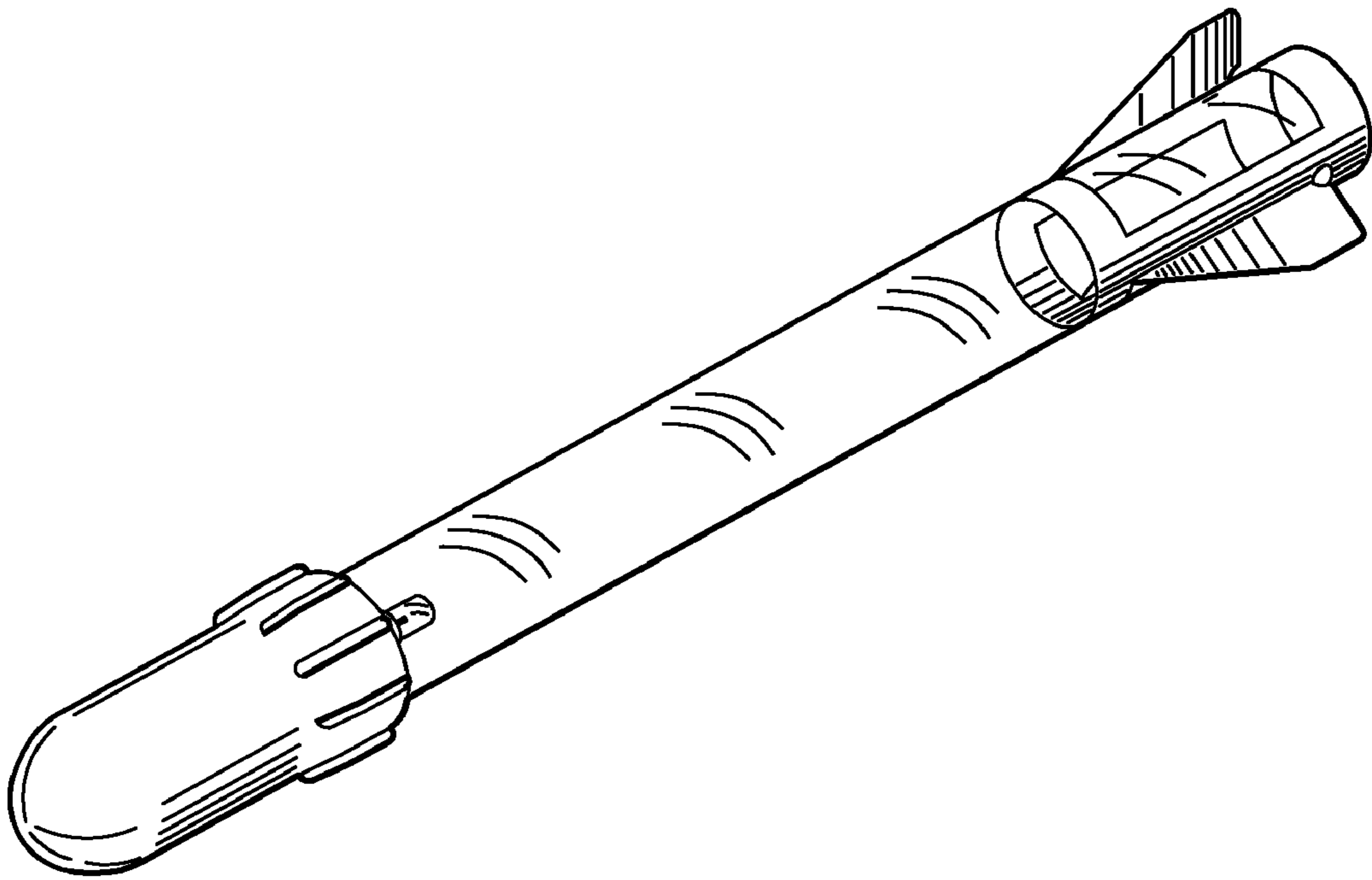


FIG.1

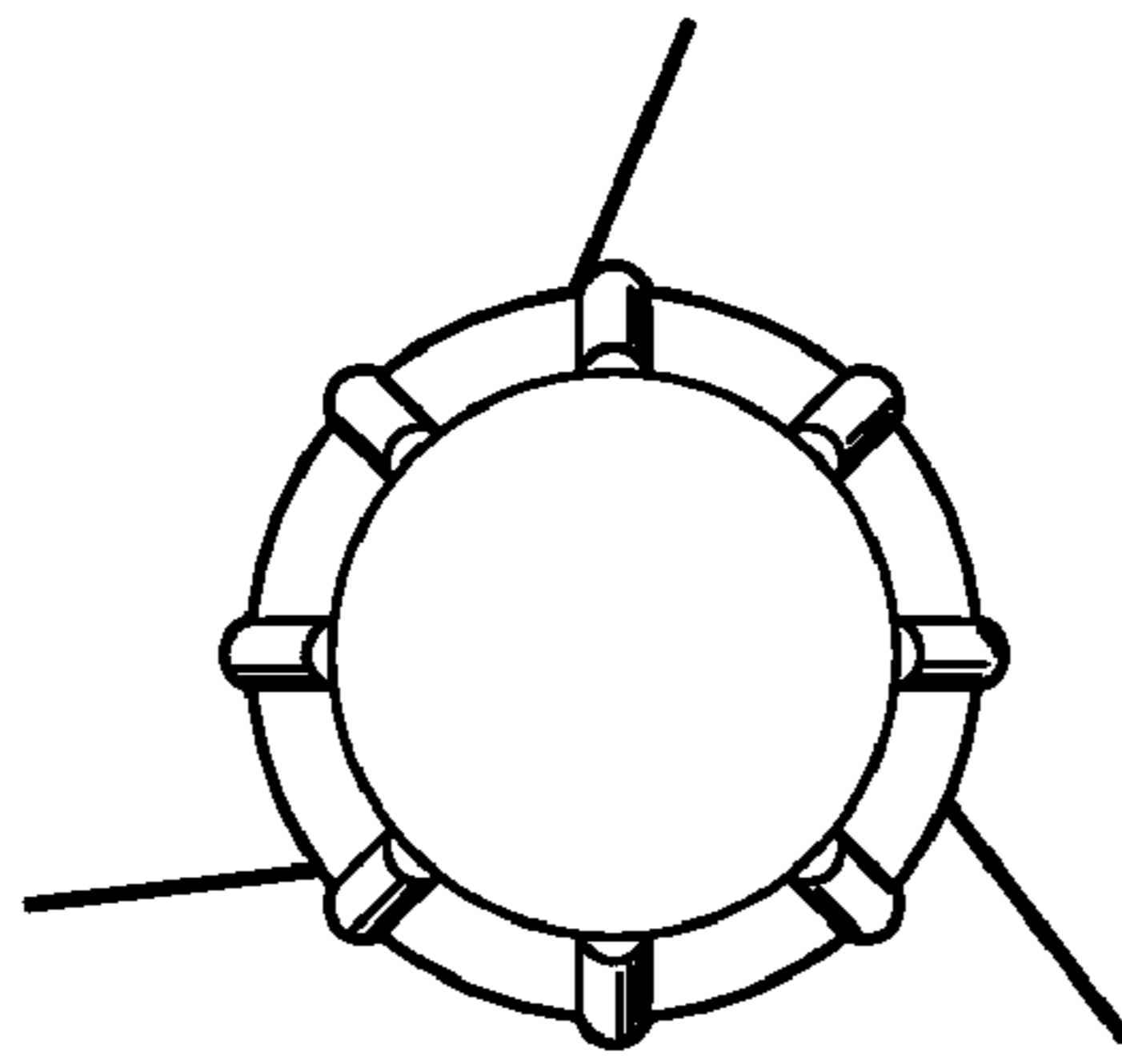


FIG. 2

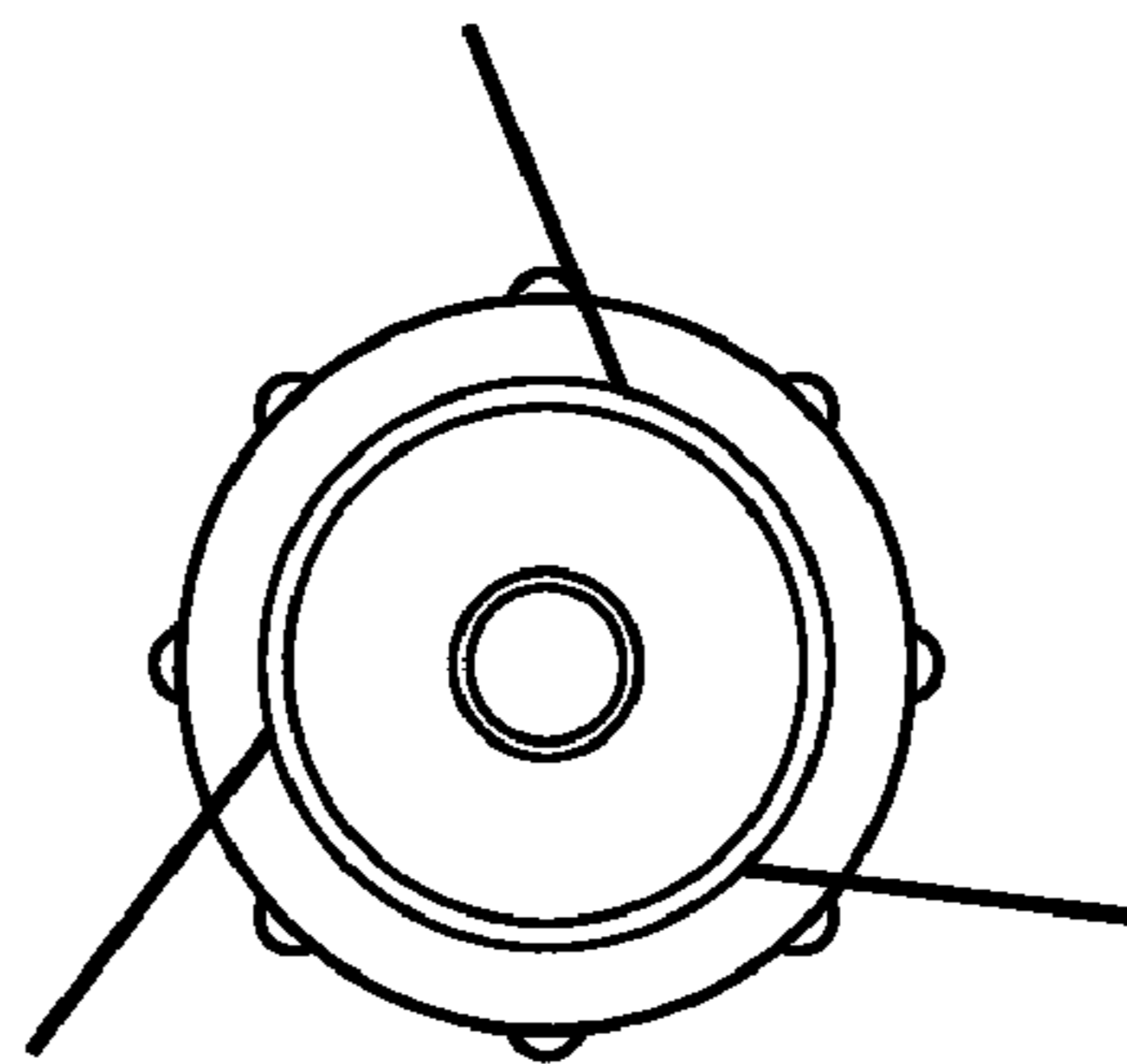


FIG. 3

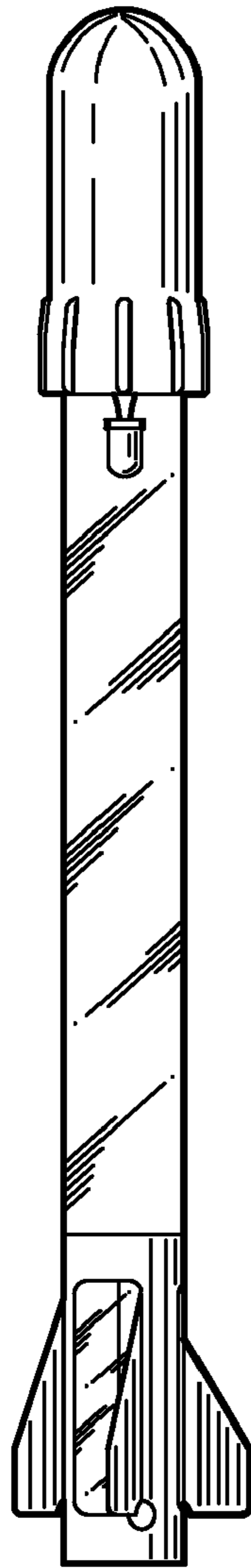


FIG. 4

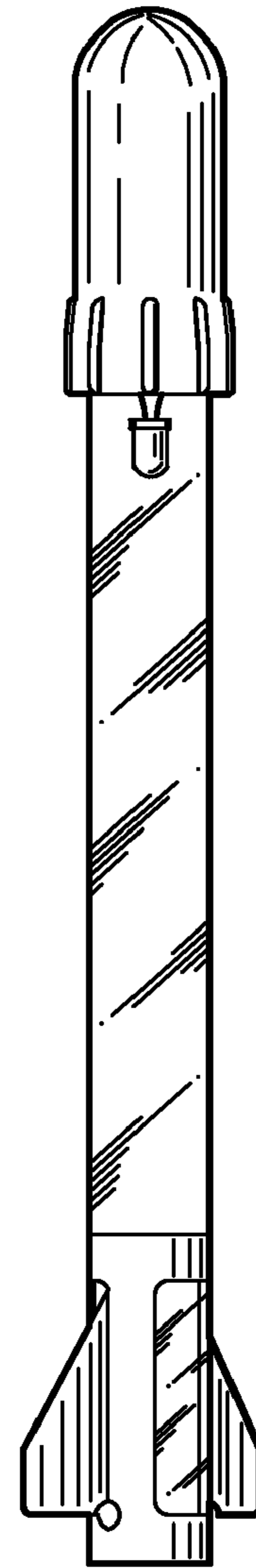


FIG. 5

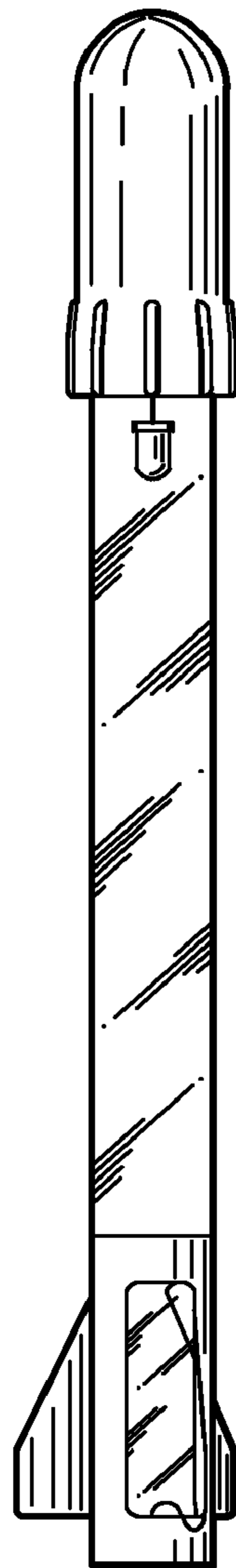


FIG. 6

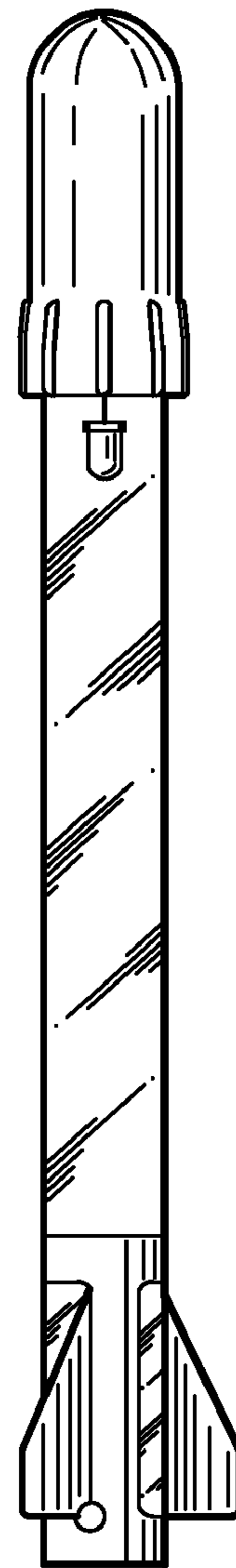


FIG. 7