



US00D679338S

(12) **United States Design Patent**
Ewringmann

(10) **Patent No.:** **US D679,338 S**

(45) **Date of Patent:** **** Apr. 2, 2013**

(54) **TRAILER FOR CHILDREN'S VEHICLE**

(75) Inventor: **Ulrich Ewringmann**, Taufkirchen (DE)

(73) Assignee: **Franz Schneider GmbH & Co. KG**,
Neustadt b. Coburg (DE)

(**) Term: **14 Years**

(21) Appl. No.: **29/398,044**

(22) Filed: **Jul. 26, 2011**

(30) **Foreign Application Priority Data**

Jan. 27, 2011 (EM) 001 811 951

(51) **LOC (9) Cl.** **21-01**

(52) **U.S. Cl.** **D21/425**

(58) **Field of Classification Search** D21/419,
D21/424-246, 534-536, 540; D12/17, 19,
D12/20, 102, 105, 129, 133; D34/12, 16,
D34/25, 26, 27; 280/87.01, 87.021, 87.043,
280/47.17, 47.25, 47.26, 47.34, 47.38, 47.4,
280/204, 639, 651; D3/371.12; D6/336;
D15/28

See application file for complete search history.

(56) **References Cited**

U.S. PATENT DOCUMENTS

4,417,765 A * 11/1983 Wirsbinski 280/47.26
4,930,831 A * 6/1990 Valiga et al. 280/87.01
D315,757 S * 3/1991 Klitsner D21/536
D332,639 S * 1/1993 Argandona et al. D21/425
D341,460 S * 11/1993 Parshall et al. D34/26
D373,748 S * 9/1996 Fuller et al. D12/105

D389,535 S * 1/1998 Schulz D21/540
D466,953 S * 12/2002 Ortiz D21/425
D478,943 S * 8/2003 Kuelbs D21/425
D573,663 S * 7/2008 Ogawa D21/425
D606,565 S * 12/2009 Hickenbottom D34/16
D659,769 S * 5/2012 Clark D21/425

* cited by examiner

Primary Examiner — Cynthia M Chin

(74) *Attorney, Agent, or Firm* — Greer, Burns & Crain, Ltd.

(57) **CLAIM**

The ornamental design for a trailer for children's vehicle, as shown and described.

DESCRIPTION

FIG. 1 is a perspective view of a trailer for children's vehicle showing my new design.

FIG. 2 is a perspective view of the trailer for children's vehicle shown in FIG. 1 in a first of multiple alternate positions.

FIG. 3 is a perspective view of the trailer for children's vehicle shown in FIG. 1 in a second of multiple alternate positions.

FIG. 4 is a side elevational view of the trailer for children's vehicle shown in FIG. 1.

FIG. 5 is an elevational view of the other side thereof.

FIG. 6 is a front elevational view thereof.

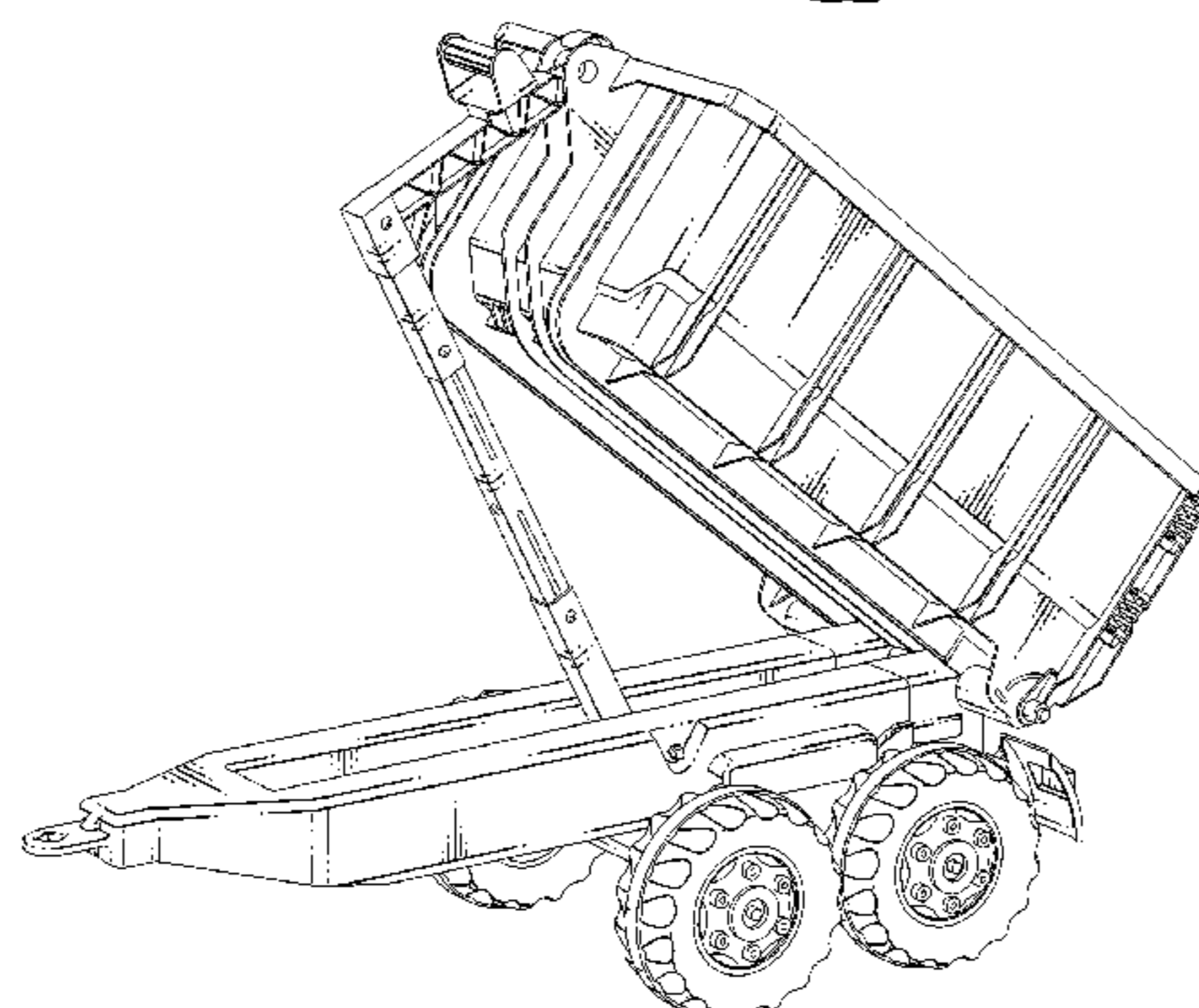
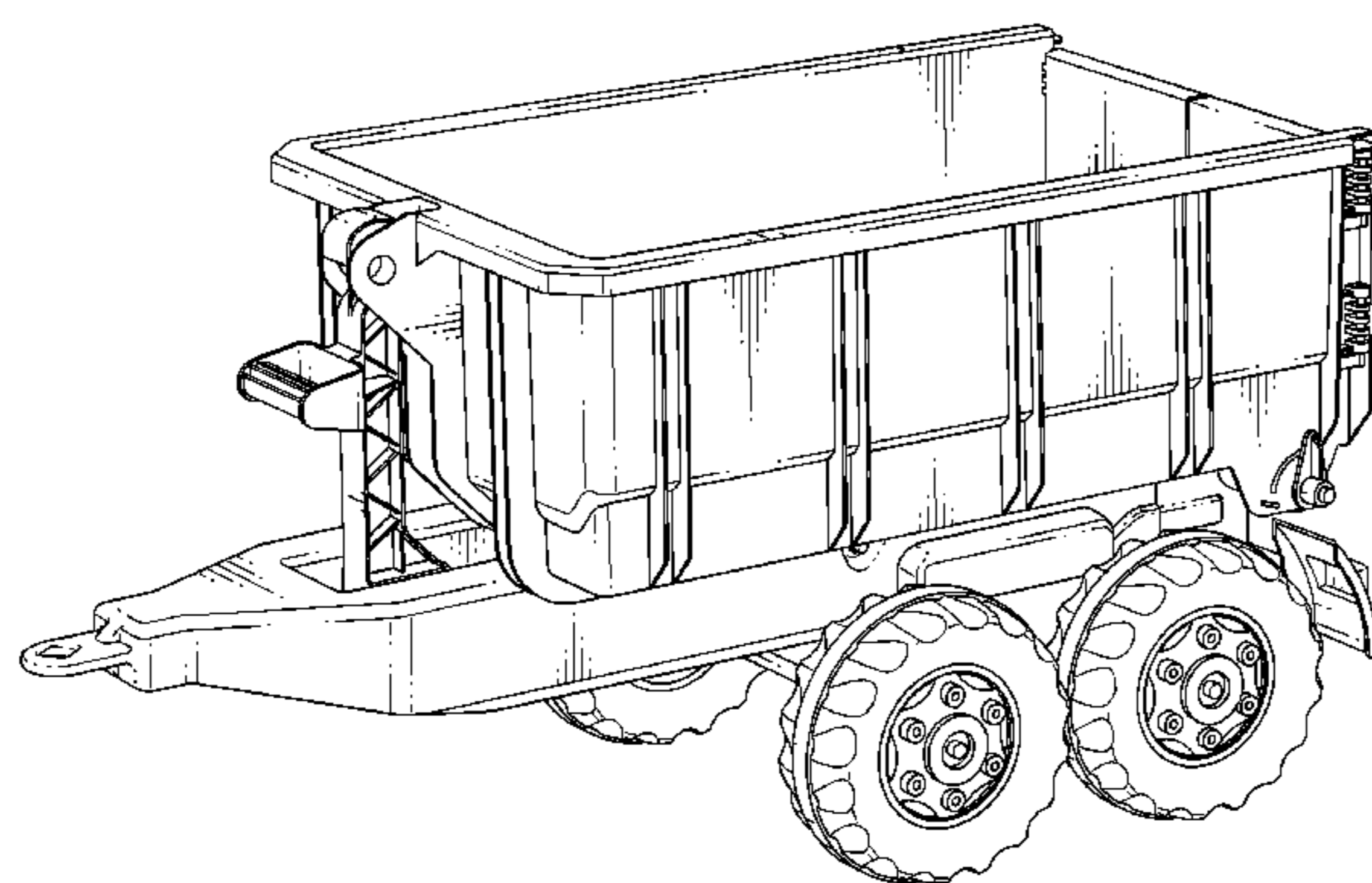
FIG. 7 is a rear elevational view thereof.

FIG. 8 is a top plan view thereof; and,

FIG. 9 is a bottom view thereof.

The portions of the article shown in broken lines form no part of the claimed design.

1 Claim, 8 Drawing Sheets



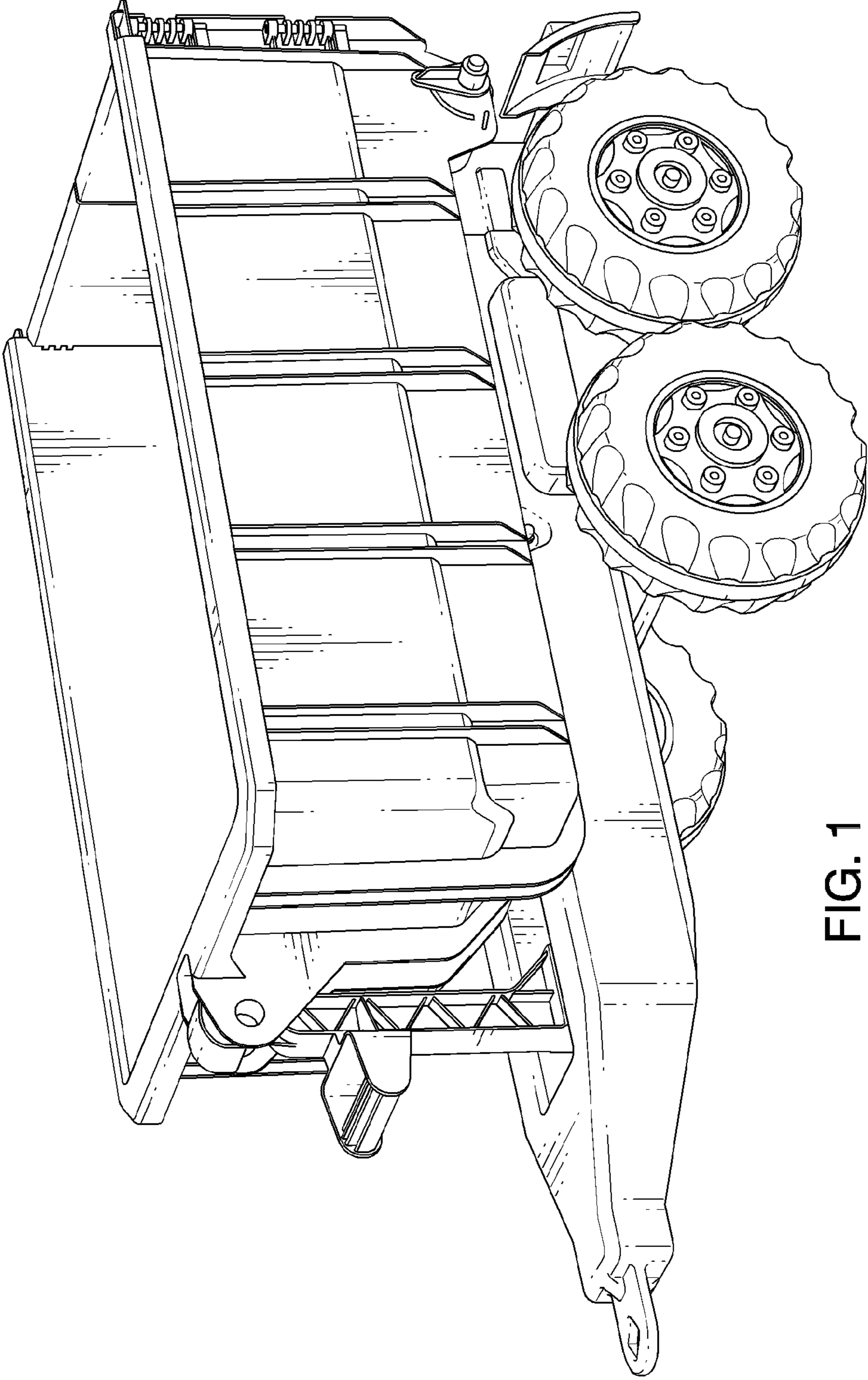


FIG. 1

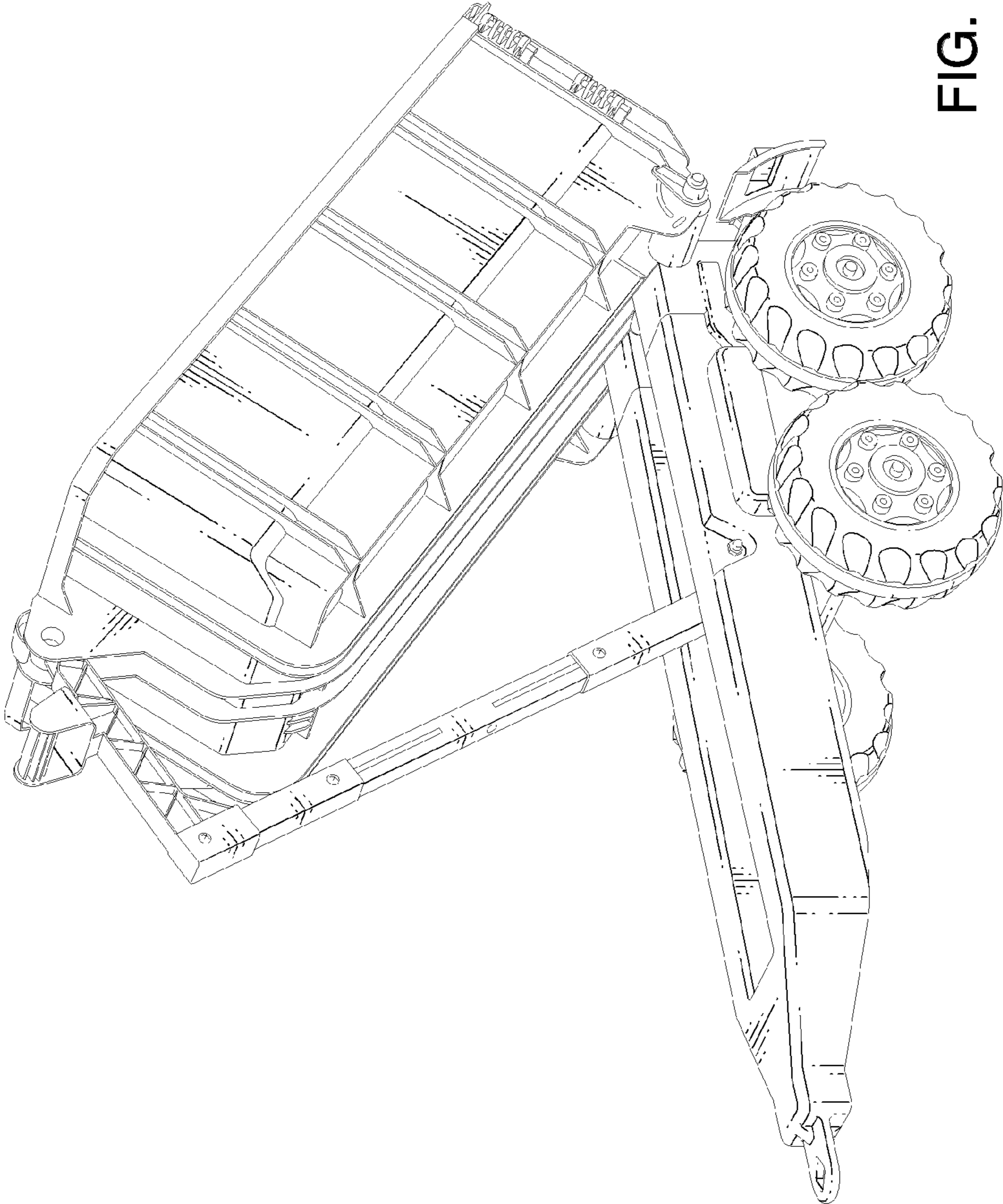


FIG. 2

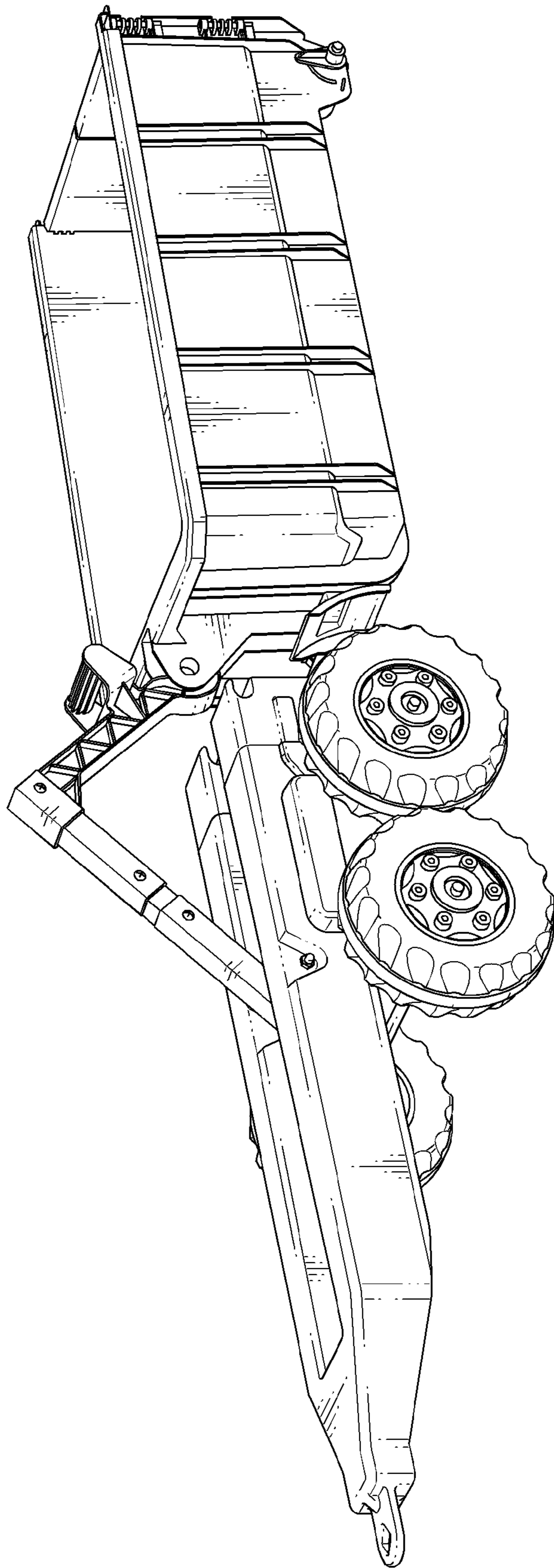


FIG. 3

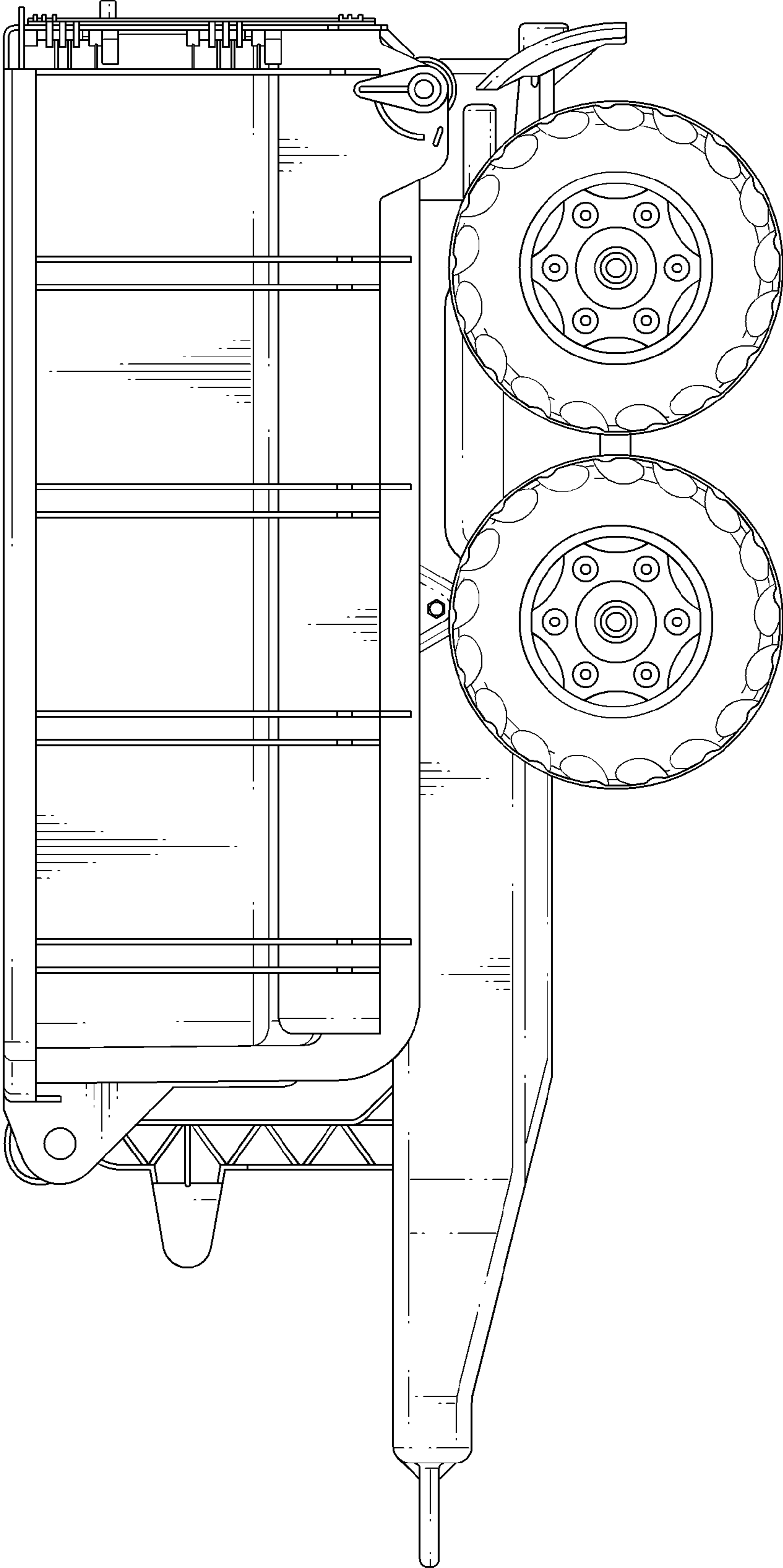


FIG. 4

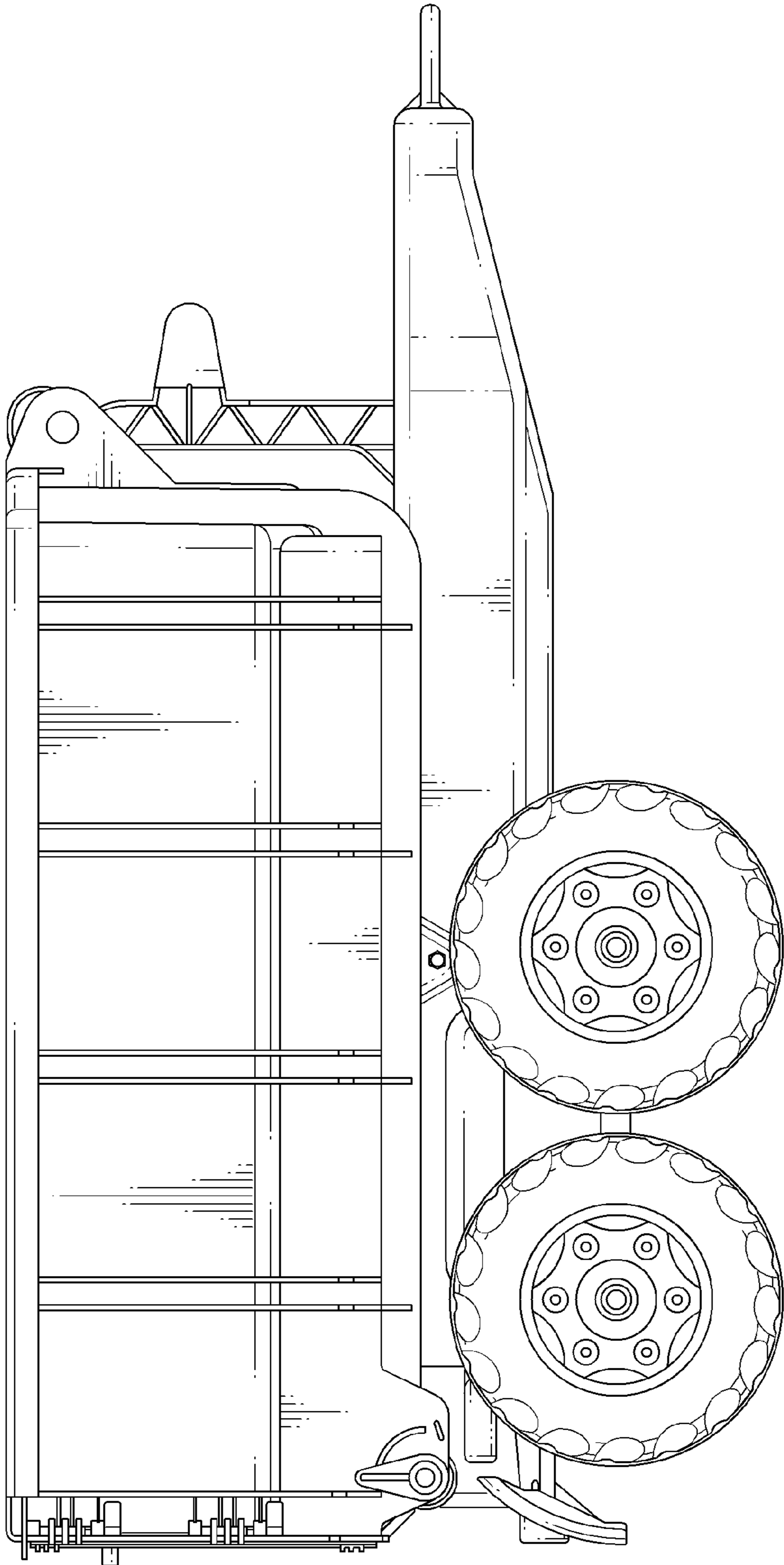


FIG. 5

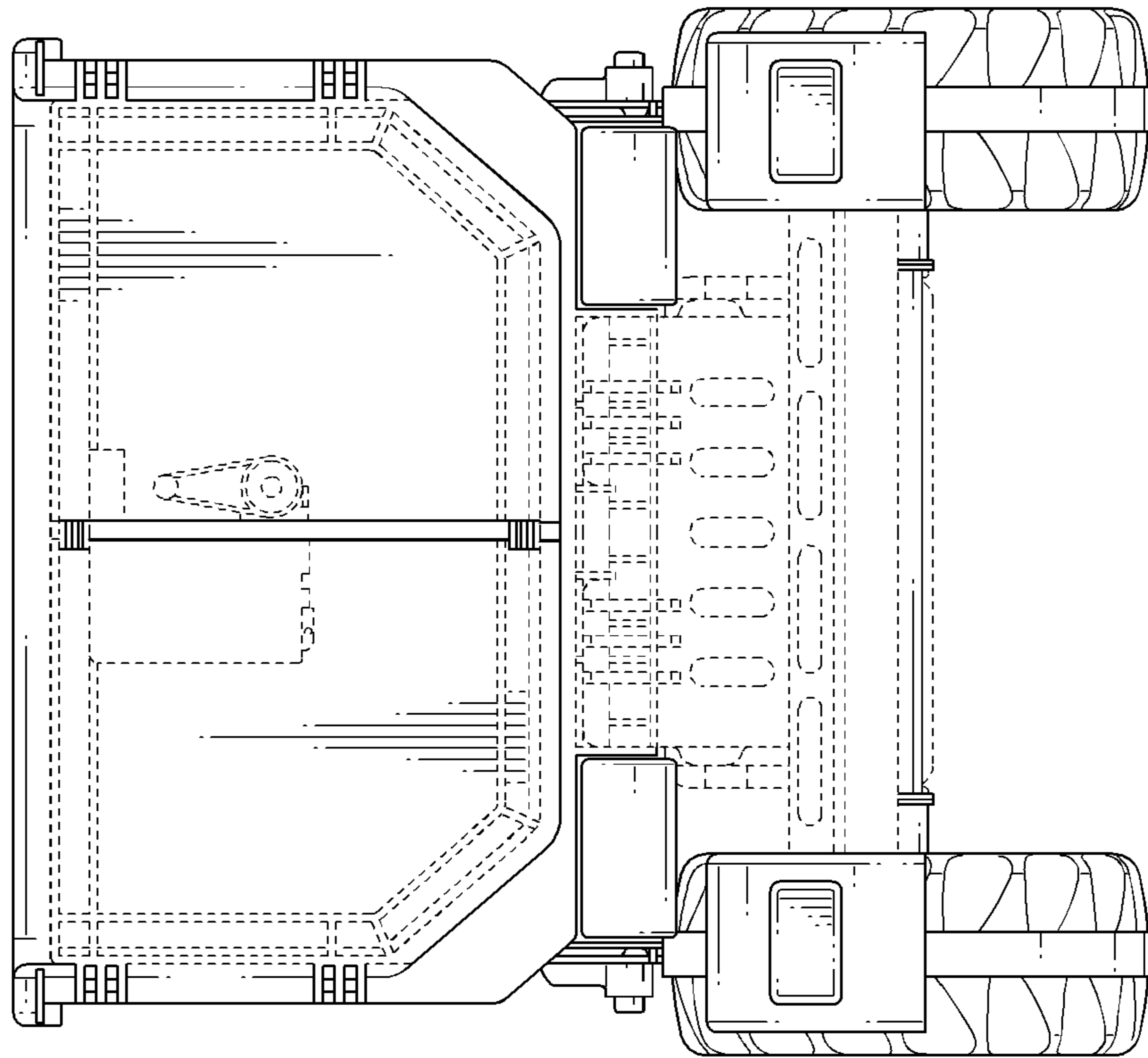


FIG. 7

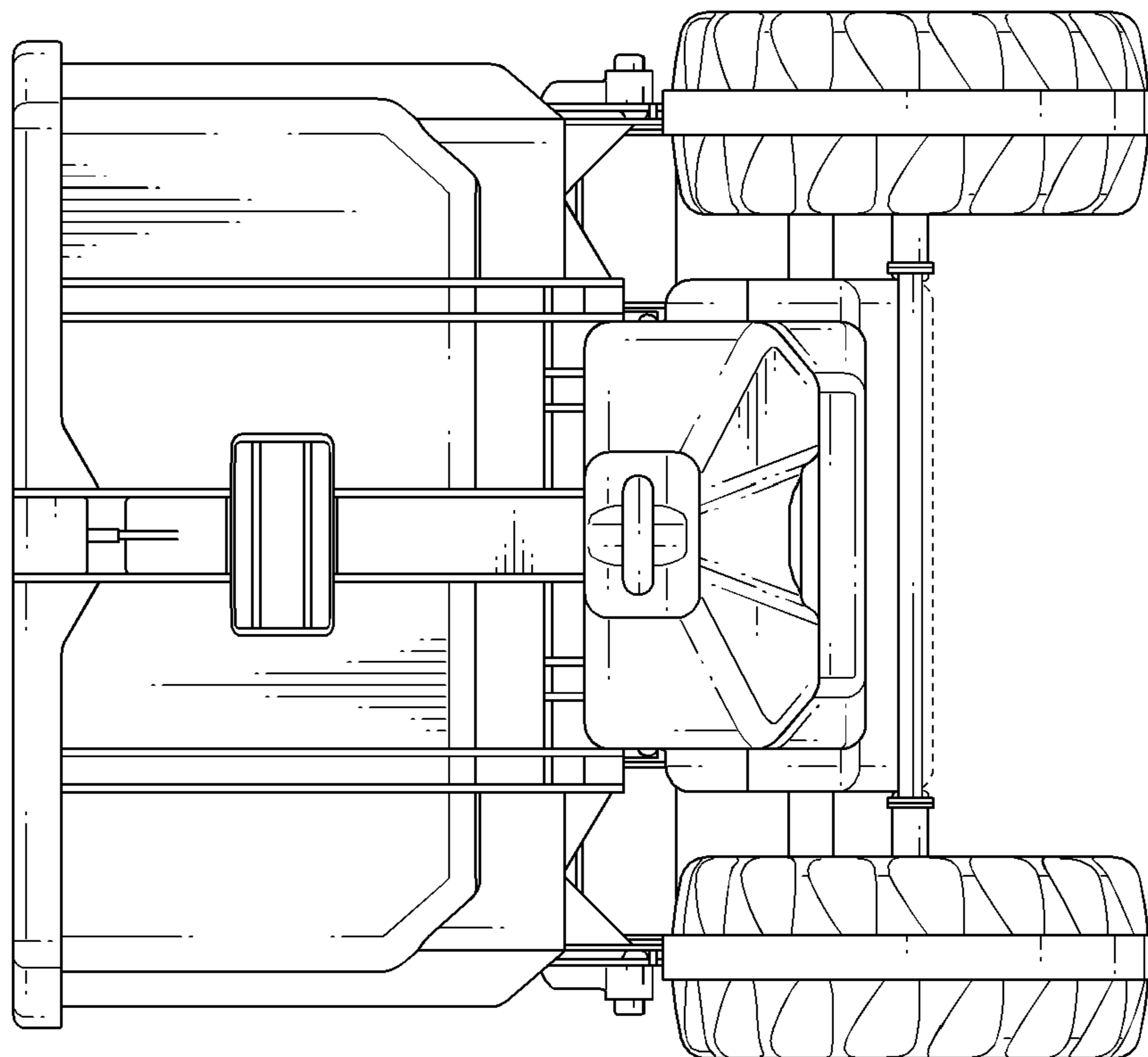


FIG. 6

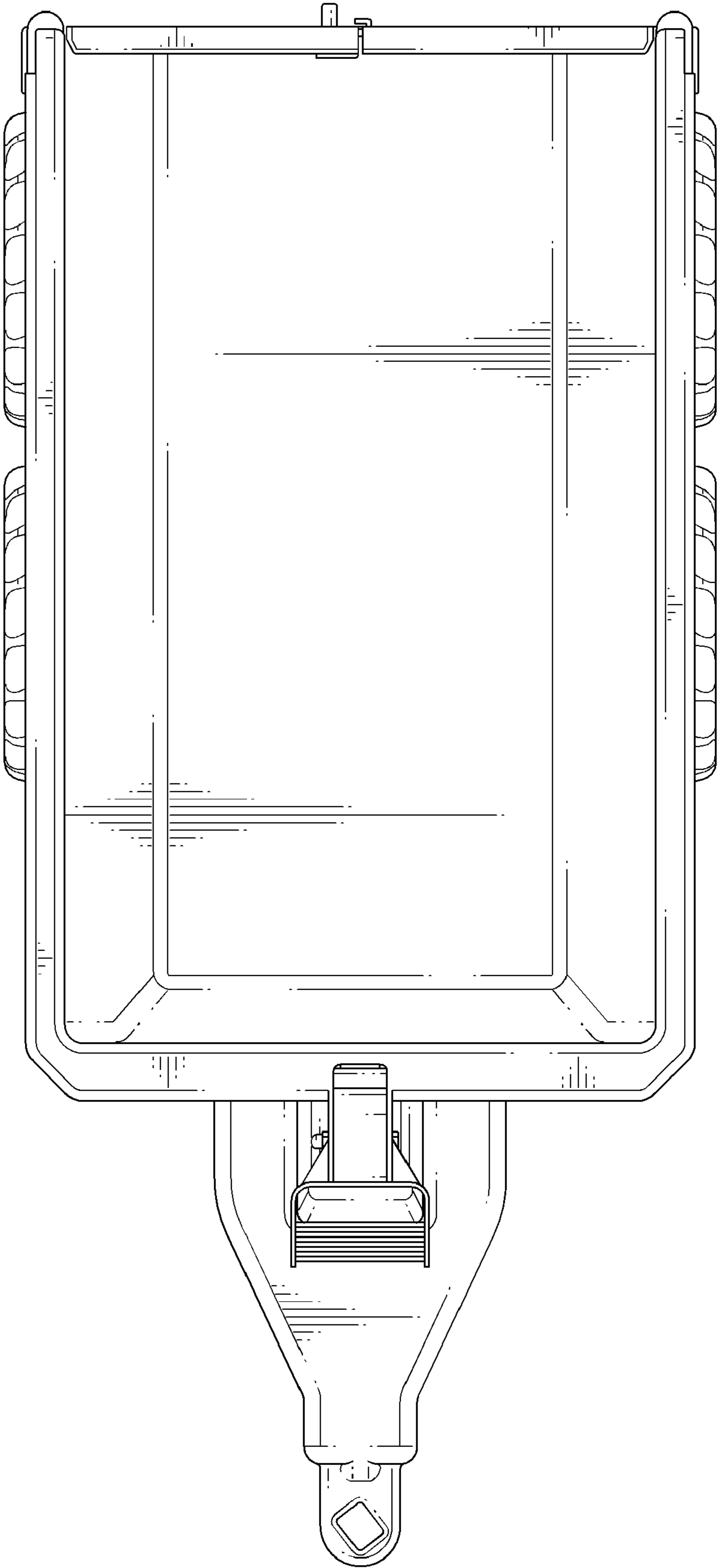


FIG. 8

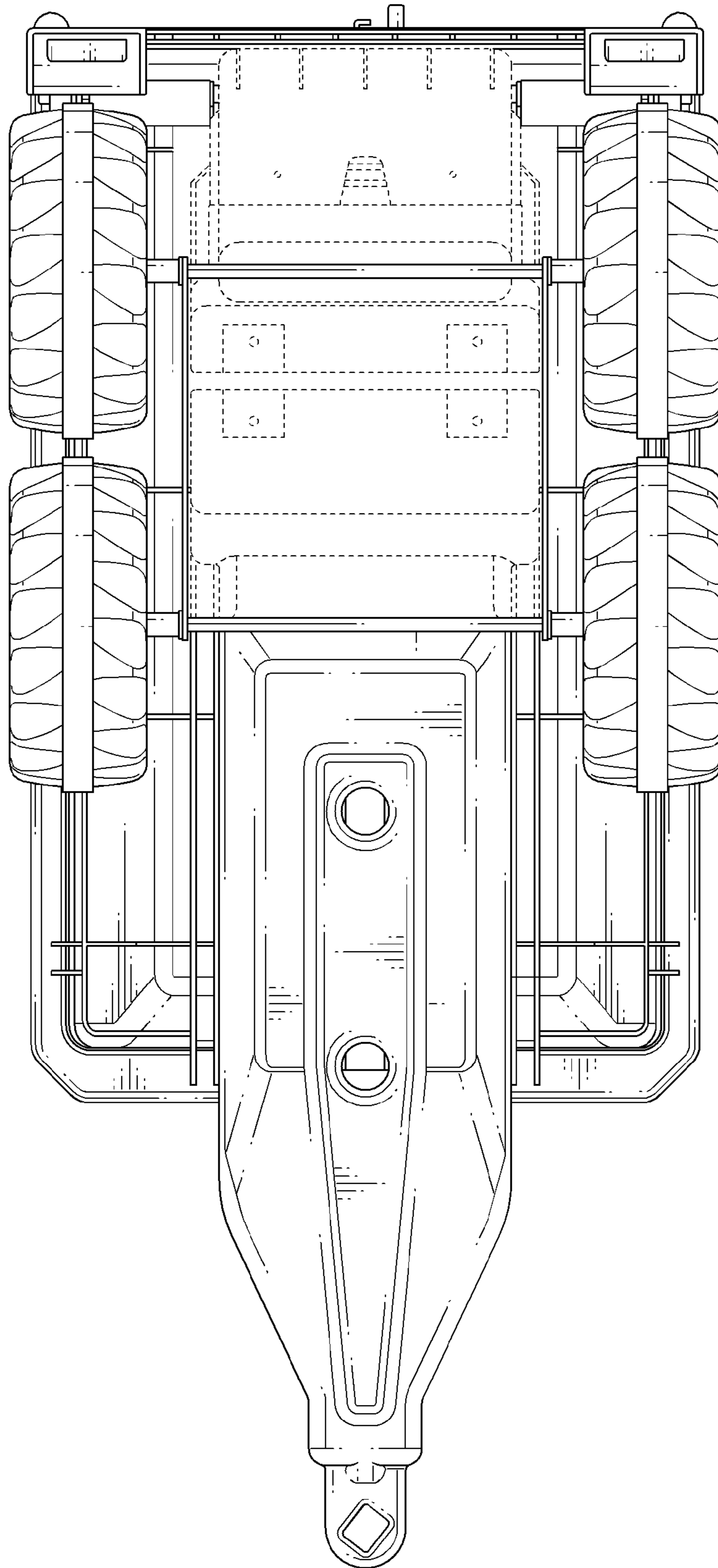


FIG. 9