



US00D679337S

(12) **United States Design Patent**
Lai

(10) **Patent No.:** **US D679,337 S**

(45) **Date of Patent:** **** Apr. 2, 2013**

(54) **UPPER TRAY FOR BABY WALKERS**

(76) Inventor: **Chin-I Lai**, Yongkang (TW)

(**) Term: **14 Years**

(21) Appl. No.: **29/375,673**

(22) Filed: **Sep. 27, 2010**

(51) **LOC (9) Cl.** **21-01**

(52) **U.S. Cl.** **D21/419; D21/433; D12/133**

(58) **Field of Classification Search** D21/419,
D21/424, 426, 433, 533, 548, 562; D12/128,
D12/129, 130, 133; 280/7.1, 87.041, 87.05,
280/87.051; 297/5; 285/66, 67, 68, 69

See application file for complete search history.

(56) **References Cited**

U.S. PATENT DOCUMENTS

D402,931 S	*	12/1998	Huang	D21/476
D450,634 S	*	11/2001	Yang	D12/129
D475,000 S	*	5/2003	Wu	D12/133
D475,325 S	*	6/2003	Wu	D12/133

D587,764 S	*	3/2009	Cheng	D21/419
D612,302 S	*	3/2010	Cheng	D21/433
D630,259 S	*	1/2011	Lu	D21/421

* cited by examiner

Primary Examiner — Cynthia M Chin

(74) *Attorney, Agent, or Firm* — Muncy, Geissler, Olds & Lowe, PLLC

(57) **CLAIM**

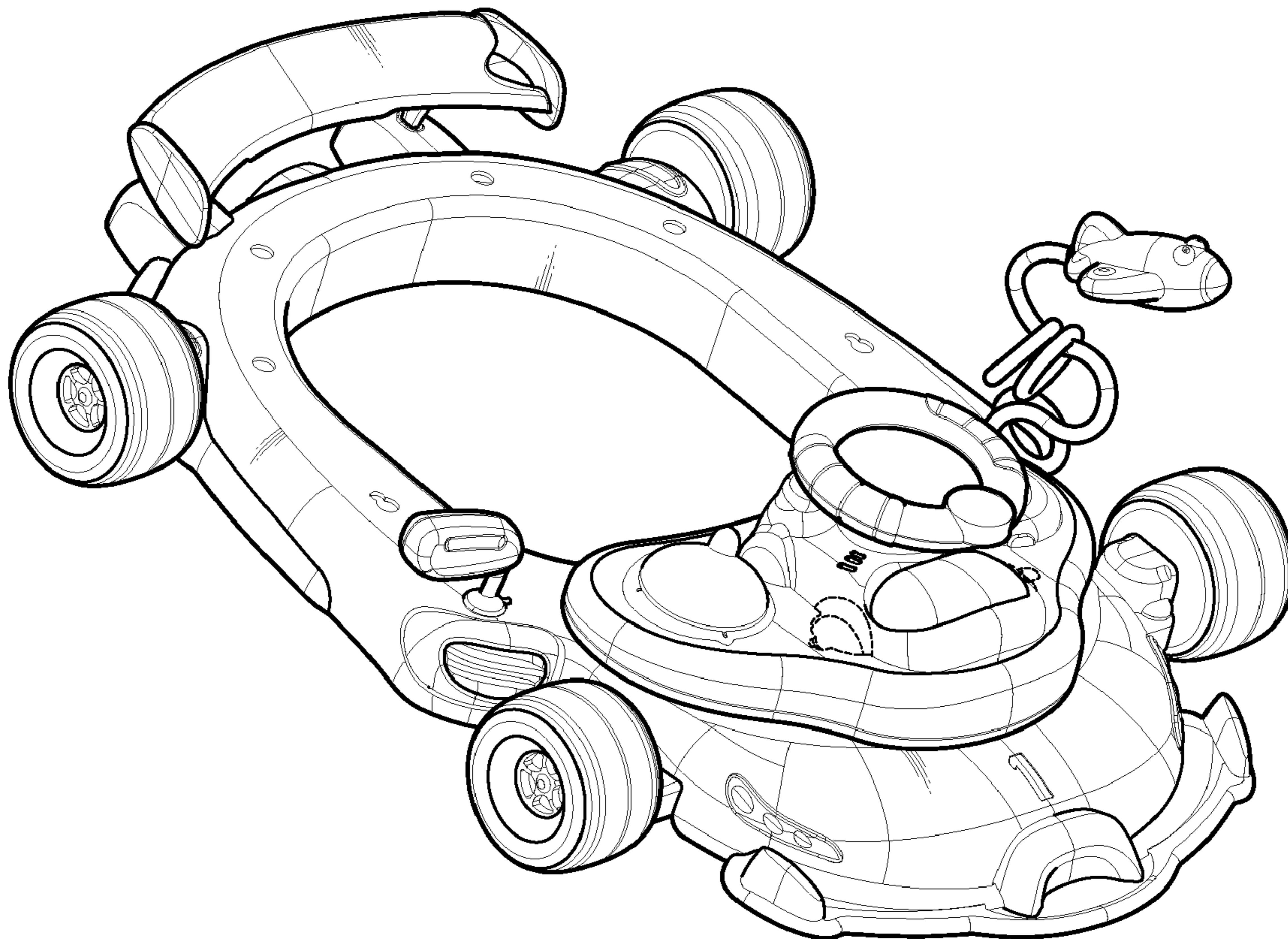
The ornamental design for the “upper tray for baby walkers,” as shown and described.

DESCRIPTION

FIG. 1 is a perspective view of the “upper tray for baby walkers” showing my new design thereof; FIG. 2 is a front side elevational view thereof; FIG. 3 is a rear side elevational view thereof; FIG. 4 is a left side elevational view thereof; FIG. 5 is a right side elevational view thereof; FIG. 6 is a top plan view thereof; and, FIG. 7 is a bottom plan view thereof.

The broken line showing of the “upper tray for baby walkers” is for the purpose of illustrating the portion of the article and forms no part of the claimed design.

1 Claim, 7 Drawing Sheets



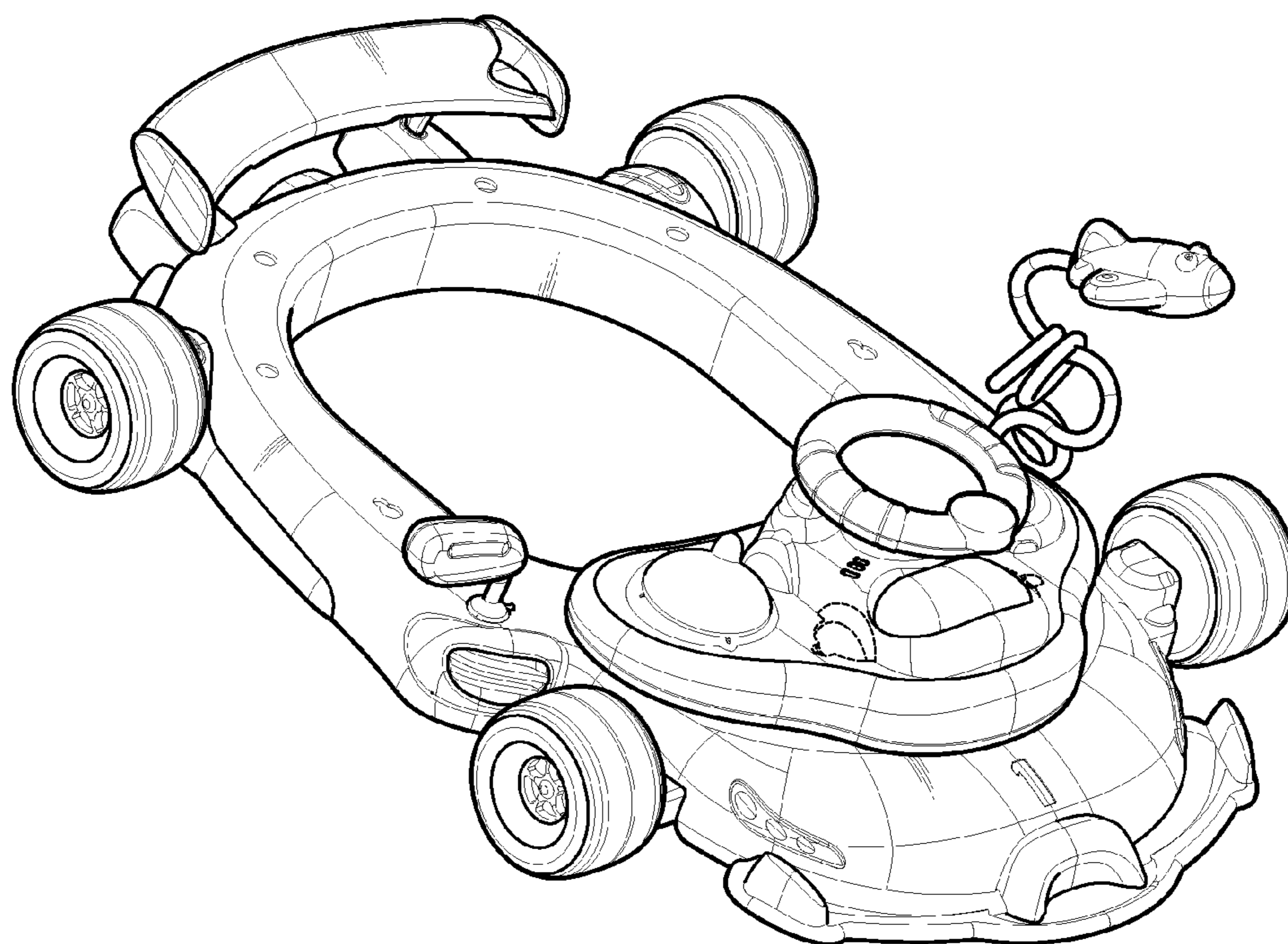


Fig. 1

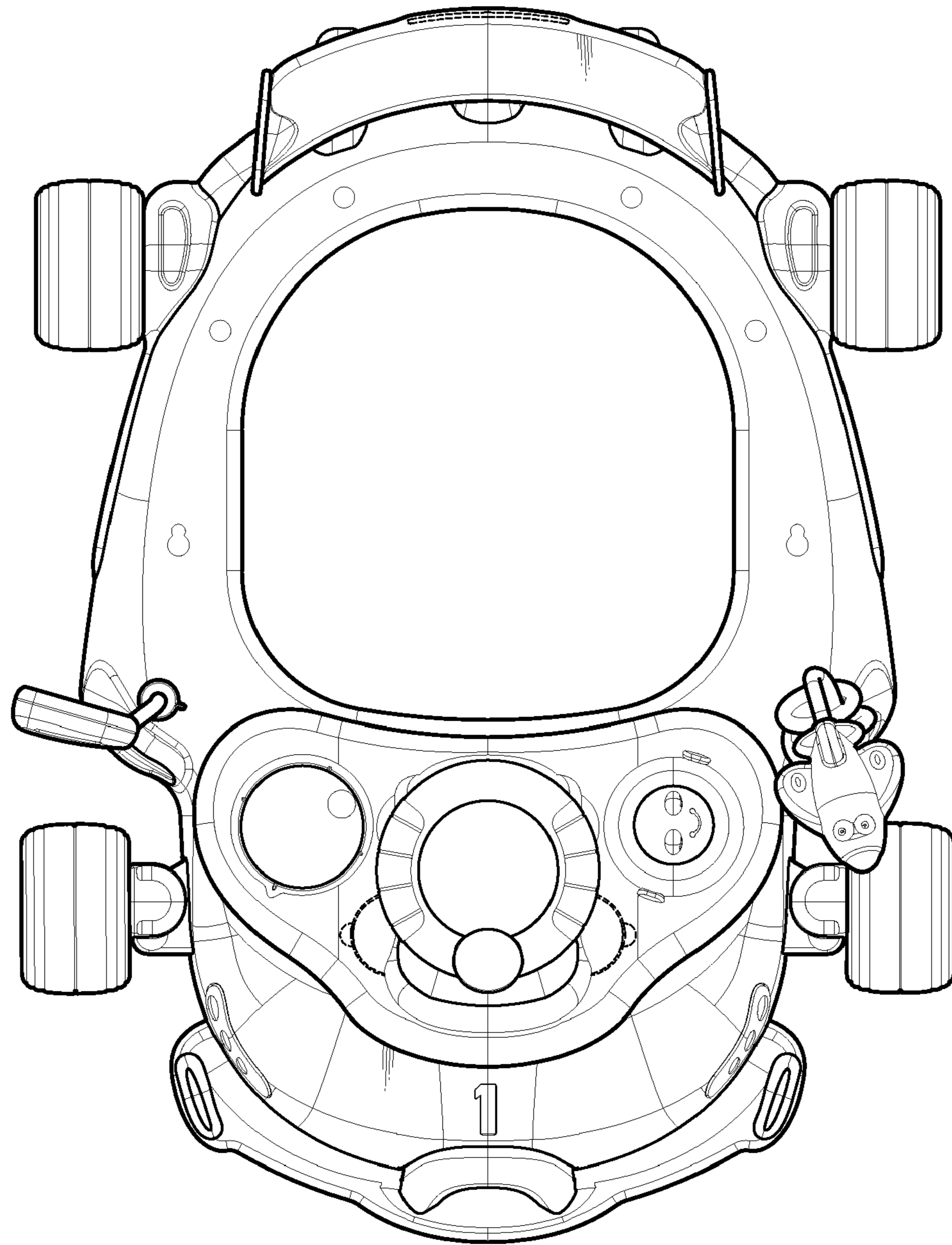


Fig. 2

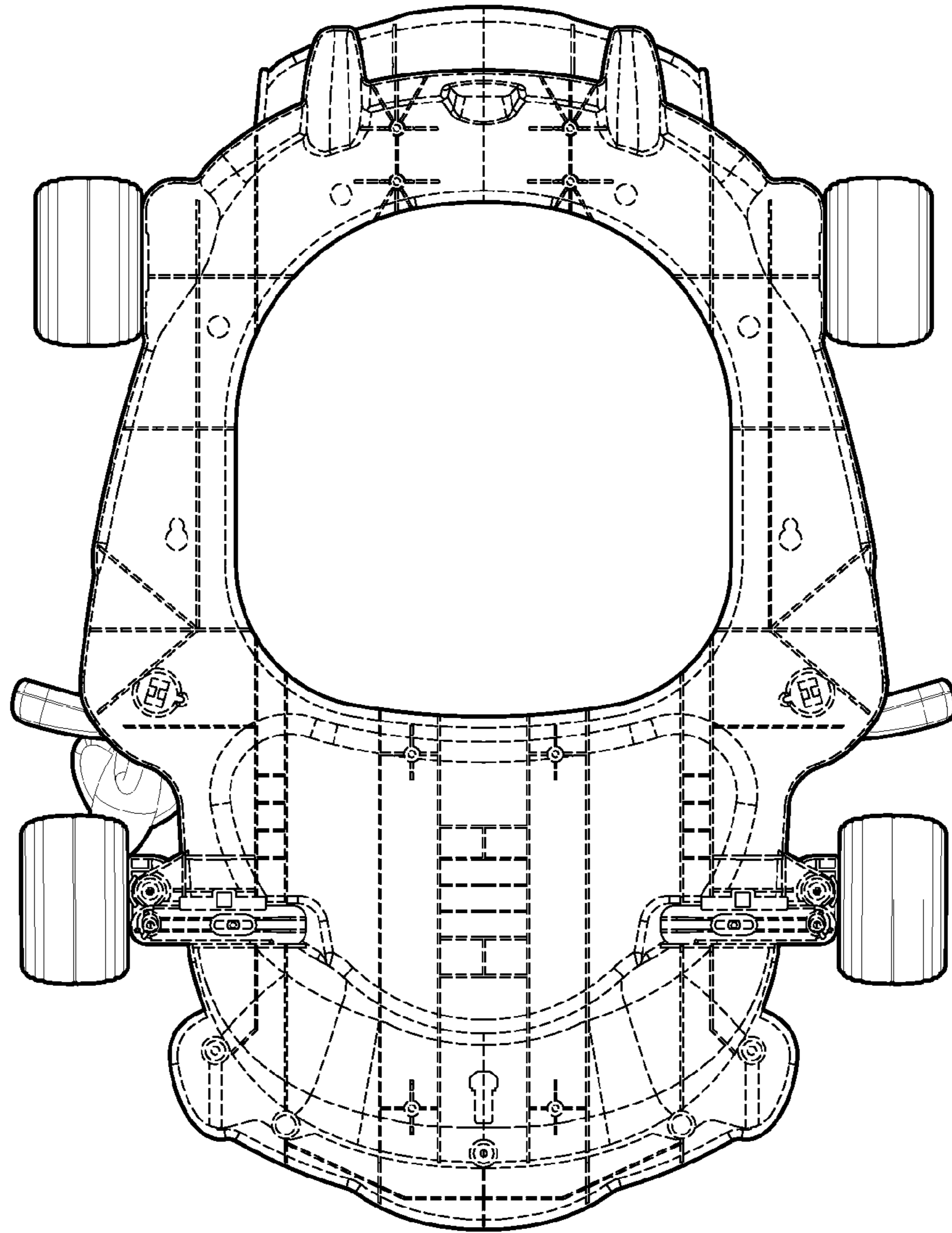


Fig. 3

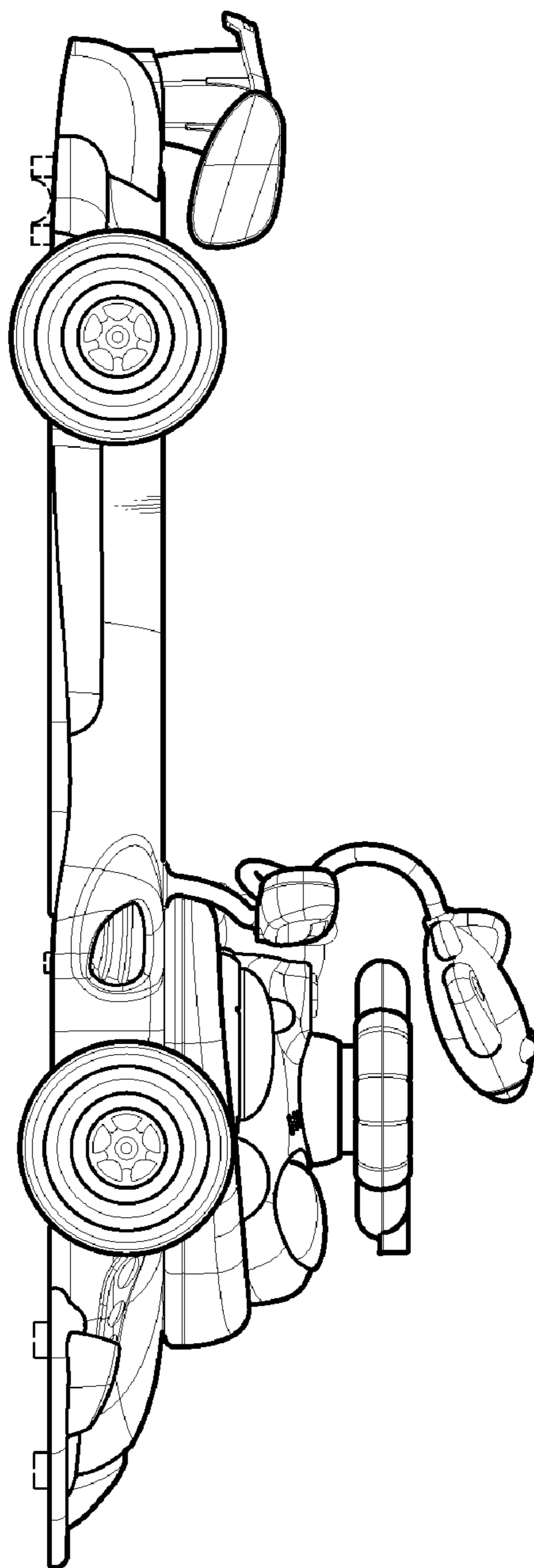


Fig. 4

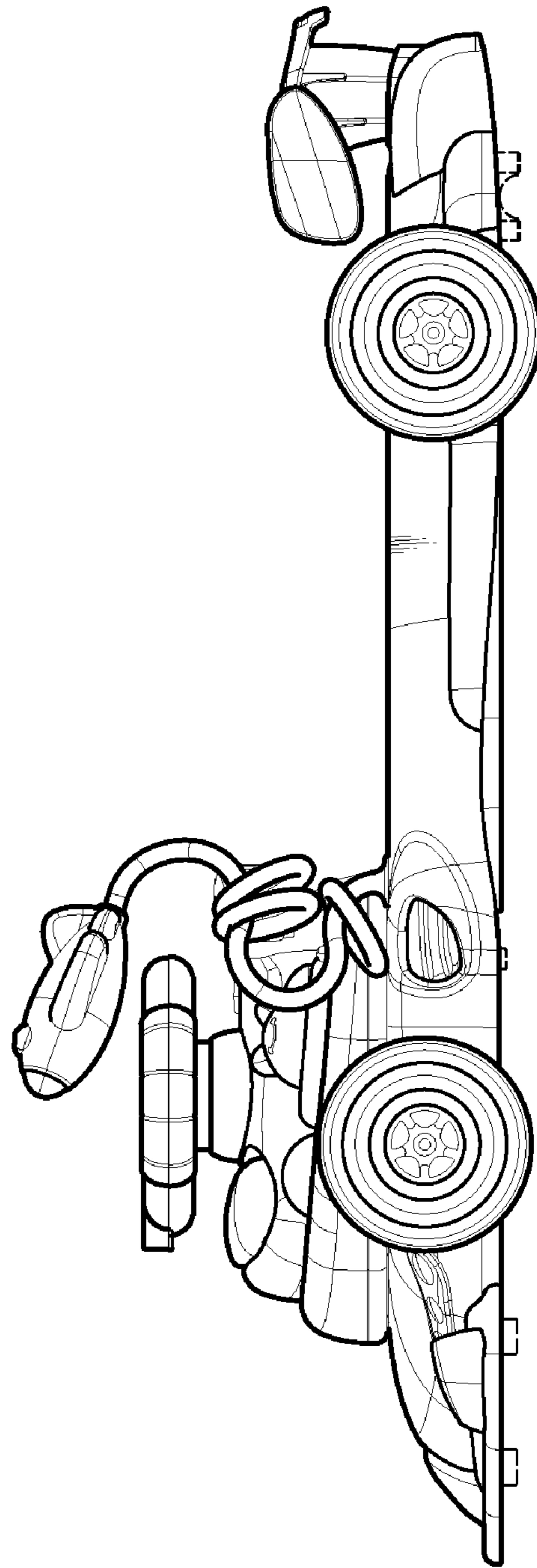


Fig. 5

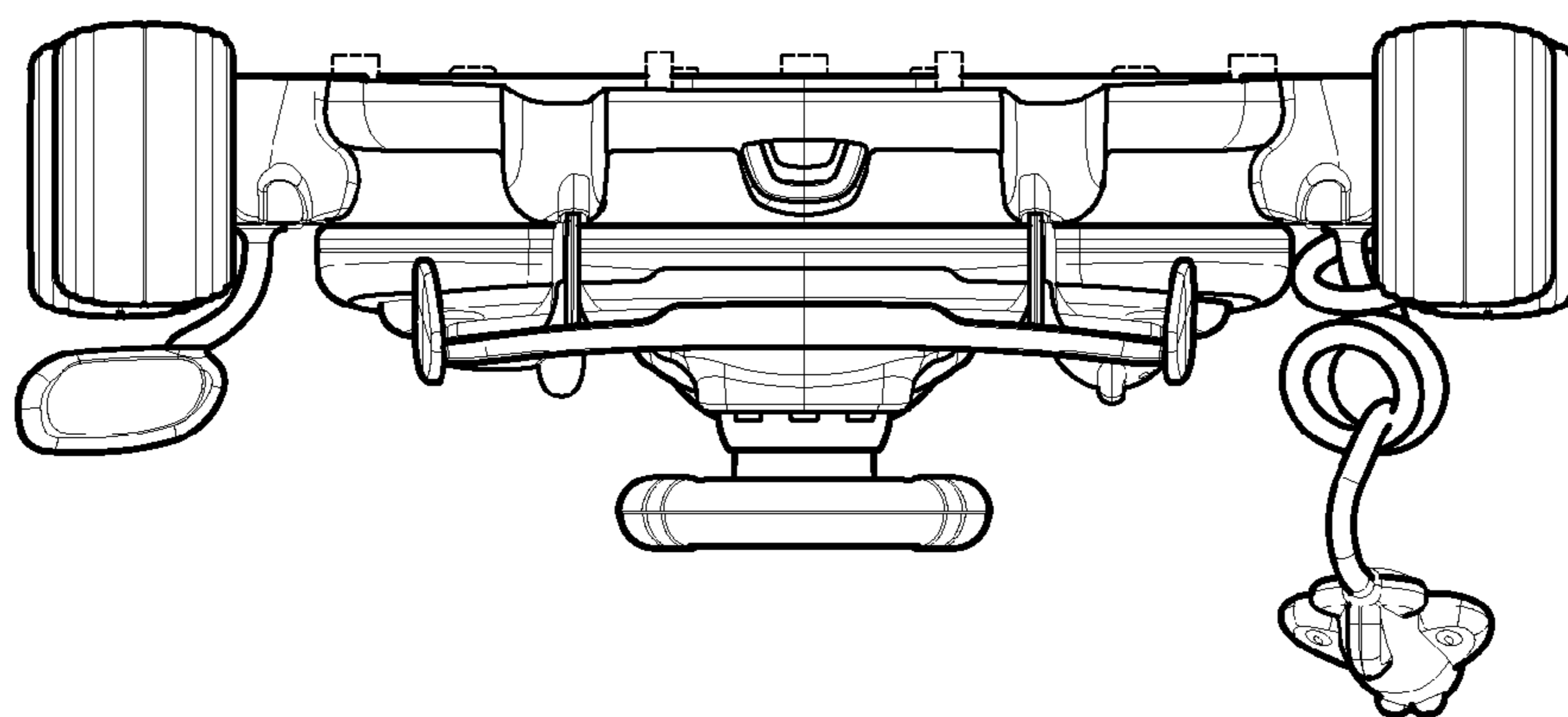


Fig. 6

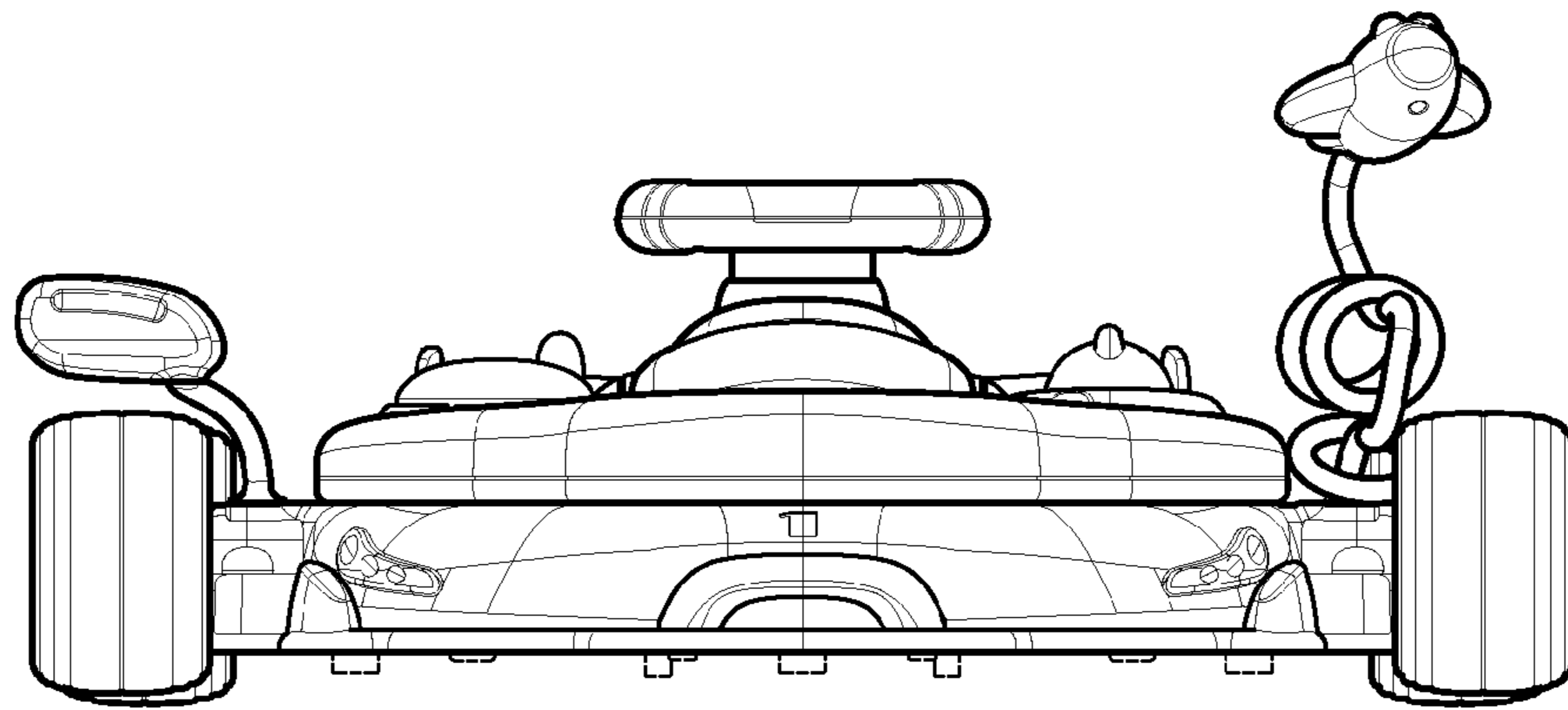


Fig. 7