



US00D679330S

(12) **United States Design Patent**
Stravitz

(10) **Patent No.:** **US D679,330 S**

(45) **Date of Patent:** **** Apr. 2, 2013**

(54) **V-FILE**

(71) Applicant: **David M. Stravitz**, New York, NY (US)

(72) Inventor: **David M. Stravitz**, New York, NY (US)

(73) Assignee: **Block and Company, Inc.**, Wheeling, IL (US)

(**) Term: **14 Years**

(21) Appl. No.: **29/440,205**

(22) Filed: **Dec. 19, 2012**

(51) **LOC (9) Cl.** **19-02**

(52) **U.S. Cl.** **D19/90**

(58) **Field of Classification Search** D3/304,
D3/314; D6/512; D9/414, 425, 432, 431;
D19/75, 77-86, 90-92; 206/215, 425, 449,
206/555; D7/631

See application file for complete search history.

(56) **References Cited**

U.S. PATENT DOCUMENTS

D186,109	S	*	9/1959	Harley	D8/102
3,874,501	A	*	4/1975	Cronheim	206/425
D335,996	S	*	6/1993	Evenson	D6/553
D354,312	S	*	1/1995	Pohlman	D19/90
D371,238	S	*	7/1996	Dingman	D3/304
D437,354	S	*	2/2001	Andujar	D19/90
D449,074	S	*	10/2001	Andujar	D19/75
D484,140	S	*	12/2003	Rowell	D14/471
D494,185	S	*	8/2004	Rowell	D14/471

D514,318	S	*	2/2006	Post et al.	D3/306
7,510,089	B2	*	3/2009	Killinger et al.	211/11
D660,058	S	*	5/2012	Kincaid et al.	D6/510

* cited by examiner

Primary Examiner — Elizabeth A Albert

(74) *Attorney, Agent, or Firm* — Holtz, Holtz, Goodman & Chick, P.C.

(57) **CLAIM**

The ornamental design for a V-file, as shown and described.

DESCRIPTION

FIG. 1 is a top, front, left side perspective view of a first embodiment of a V-file showing my new design;

FIG. 2 is a bottom, rear, right side perspective view thereof;

FIG. 3 is a top plan view thereof;

FIG. 4 is a bottom plan view thereof;

FIG. 5 is a front elevational view thereof;

FIG. 6 is a rear elevational view thereof;

FIG. 7 is a right side elevational view thereof;

FIG. 8 is a left side elevational view thereof;

FIG. 9 is a top, front, left side perspective view of a second embodiment of a V-file showing my new design, with the bottom and rear-elevational views thereof being the same as shown in FIGS. 4 and 6 respectively;

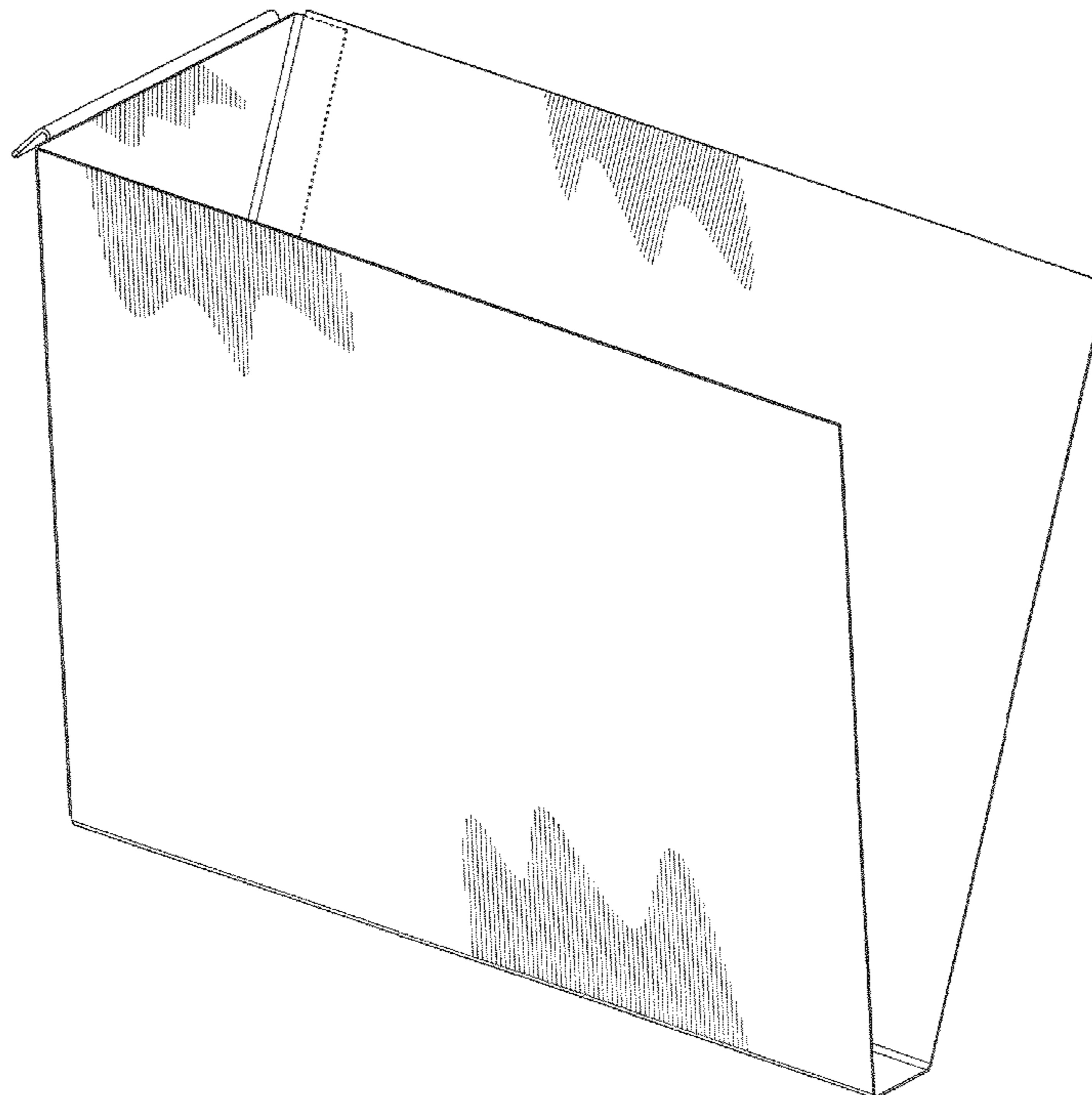
FIG. 10 is a bottom, rear, right side perspective view thereof;

FIG. 11 is a right side elevational view thereof; and,

FIG. 12 is a top plan view thereof.

The broken lines in the drawings of the V-file are shown for the purpose of including portions that form no part of the claimed design.

1 Claim, 11 Drawing Sheets



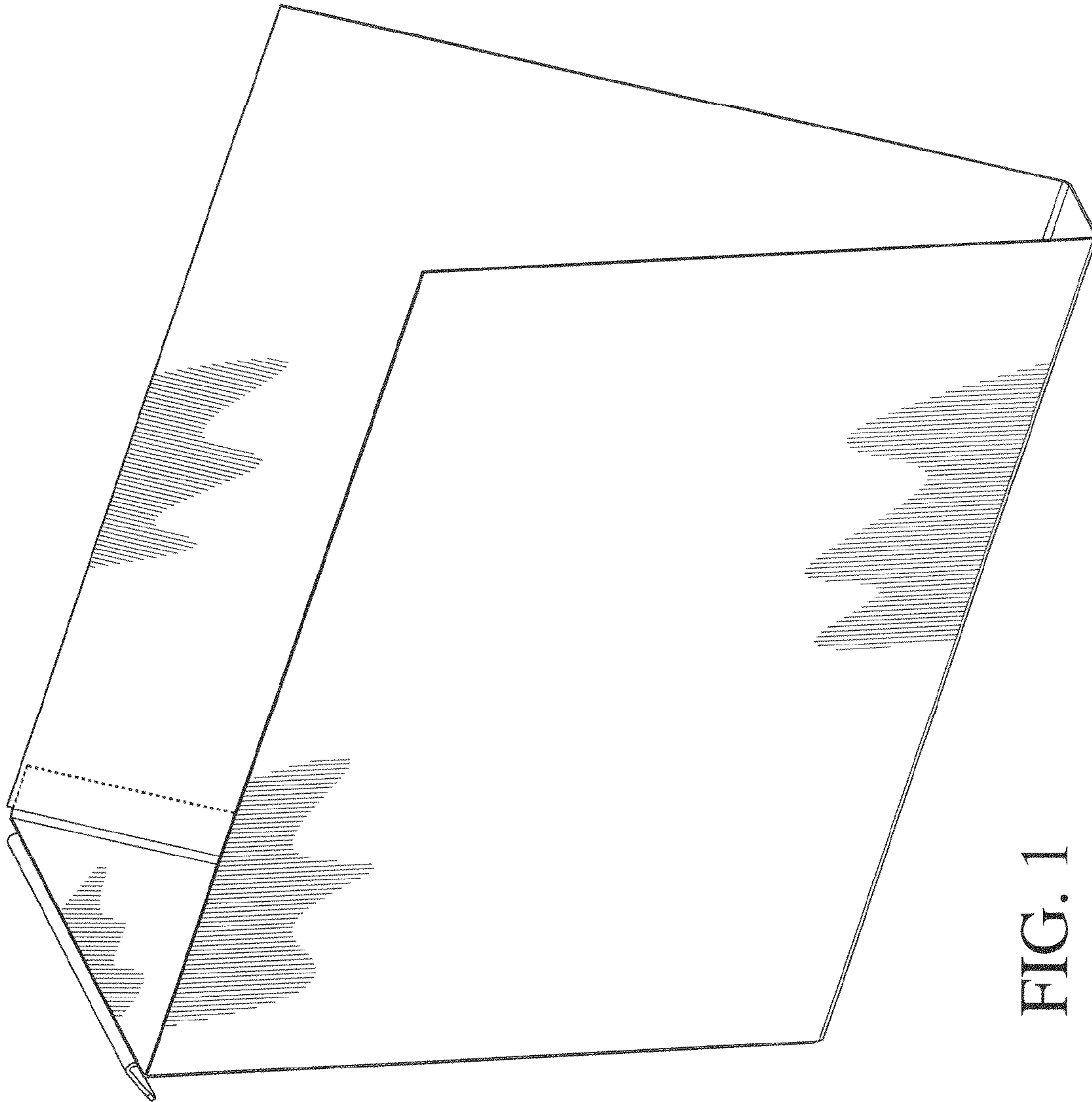


FIG. 1

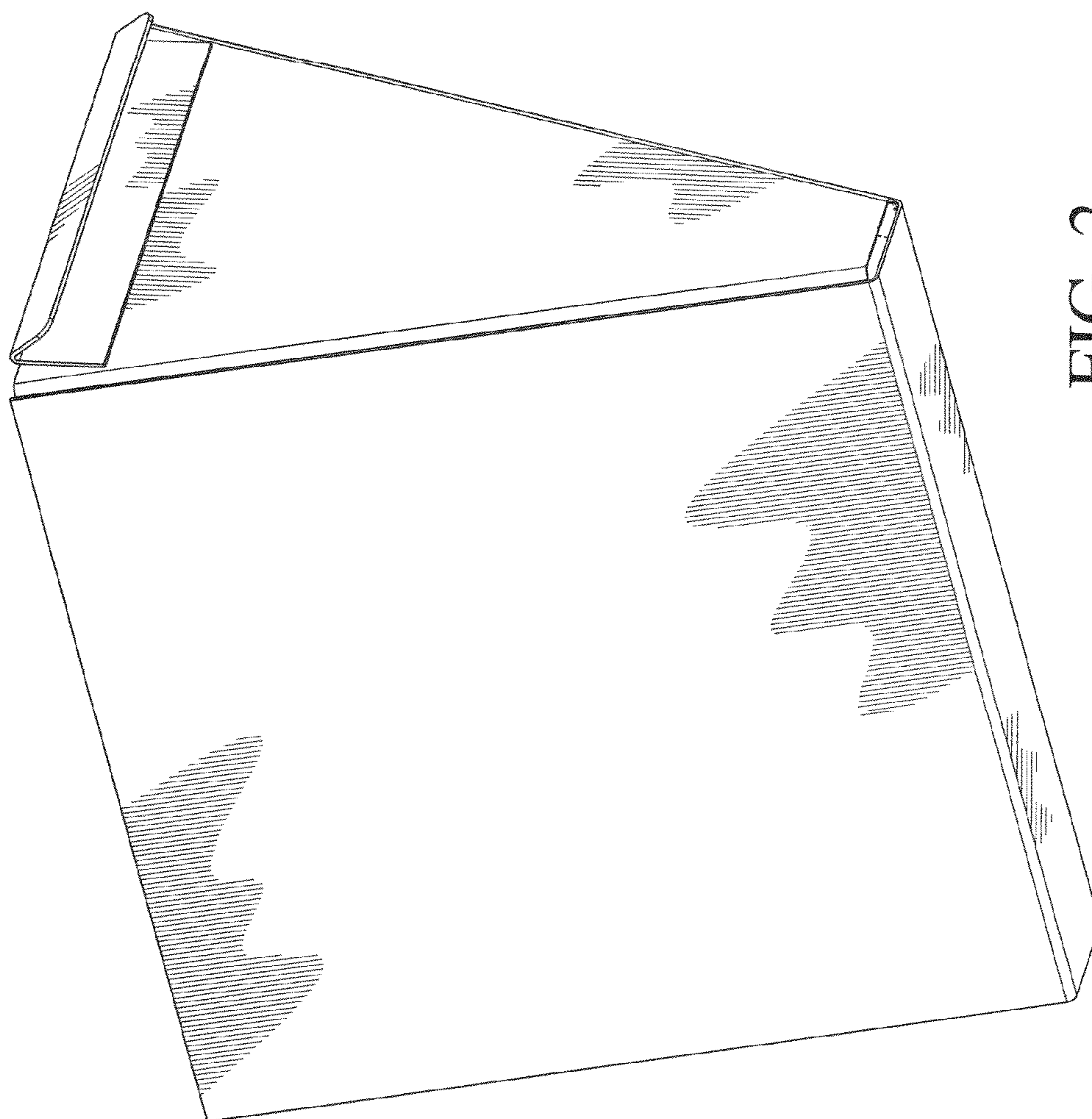


FIG. 2

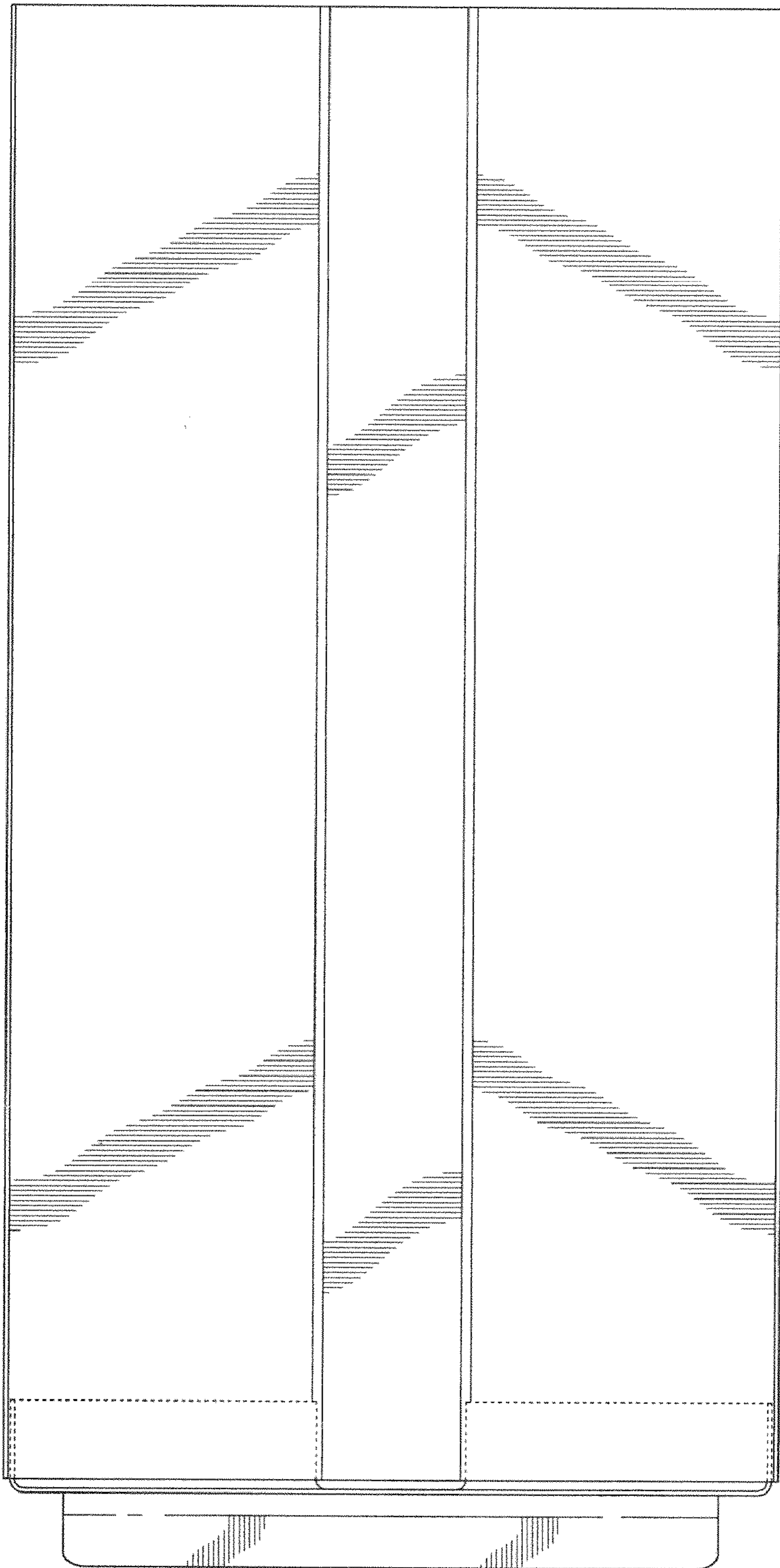


FIG. 3

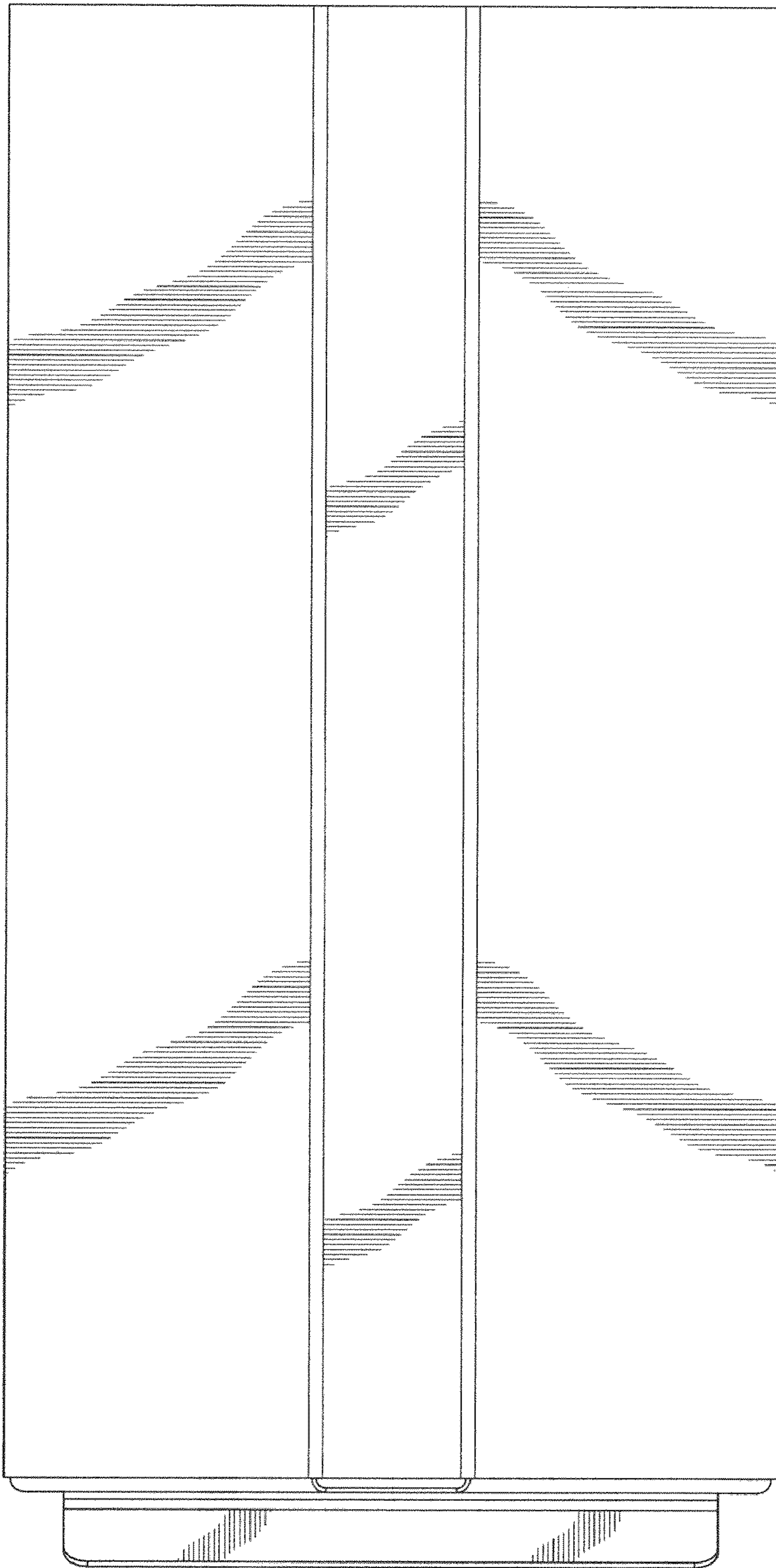


FIG. 4

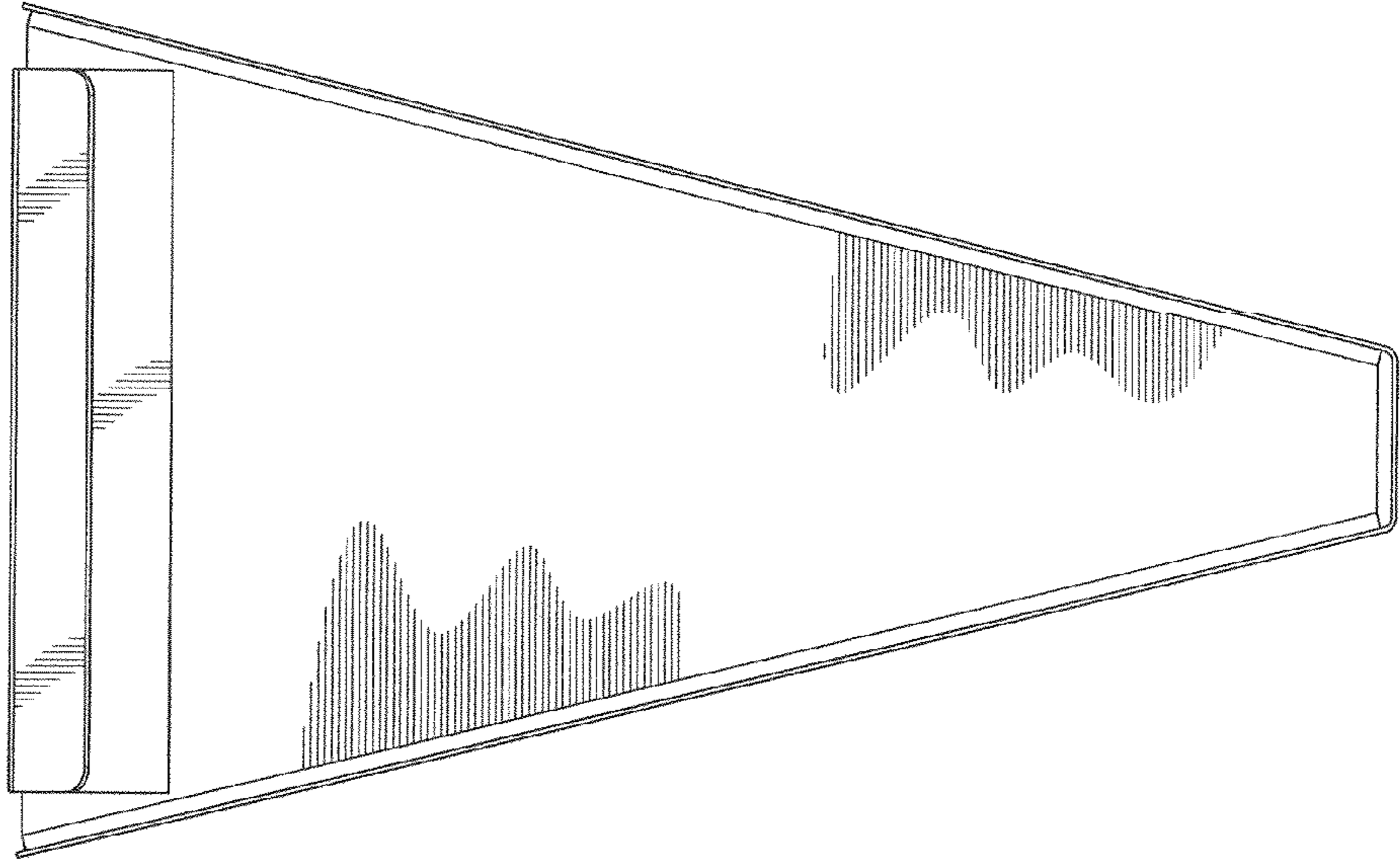


FIG. 6

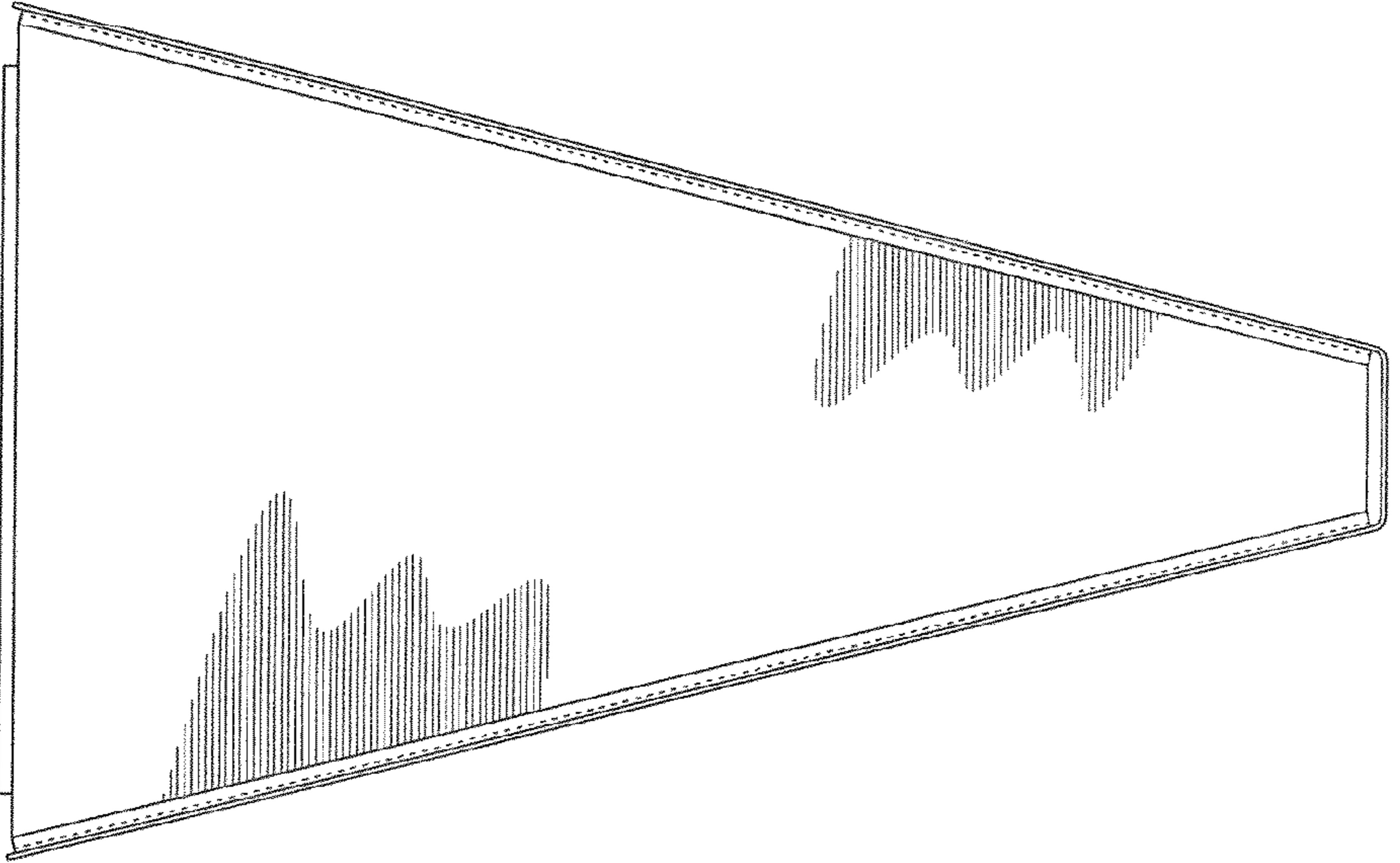


FIG. 5

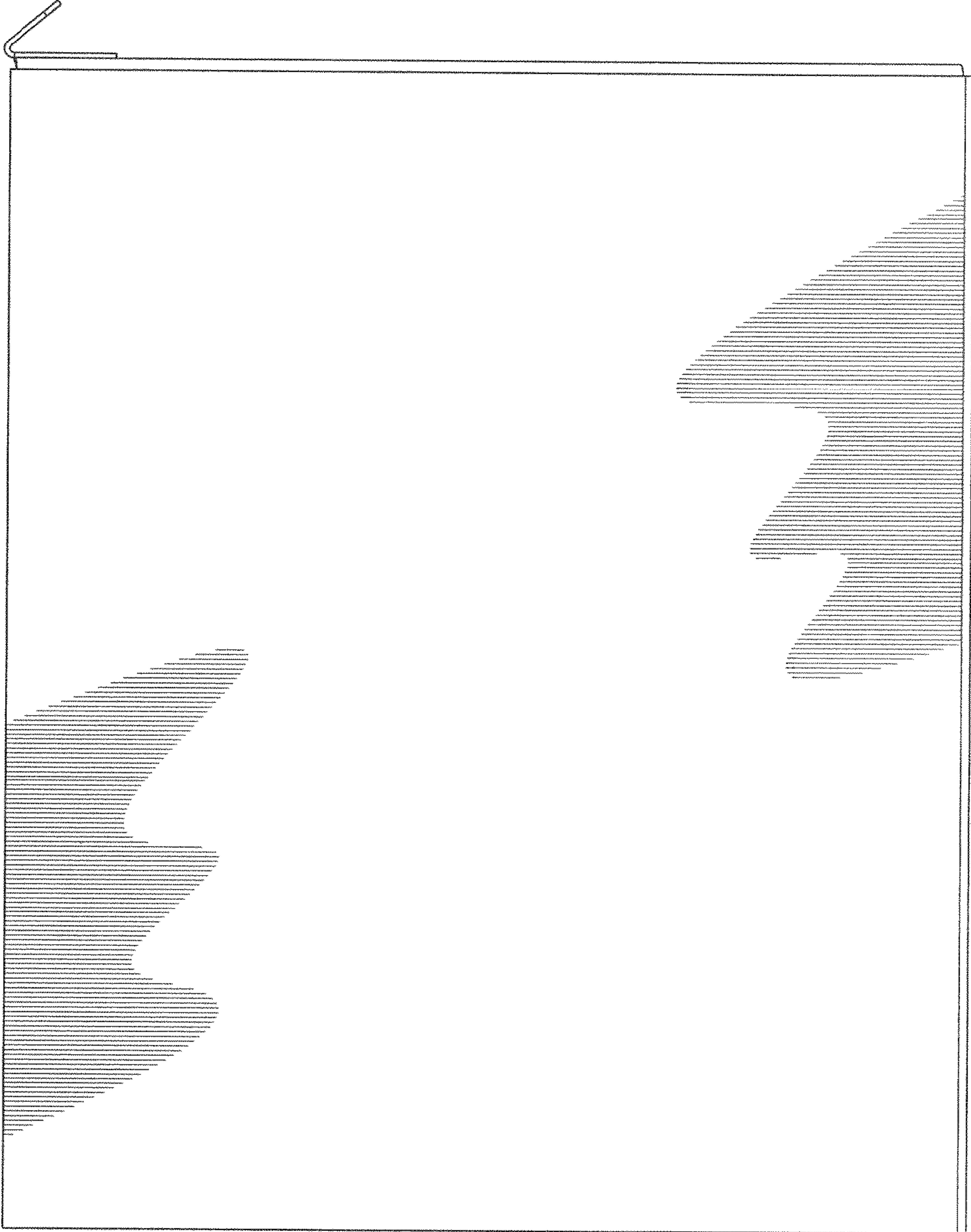


FIG. 7

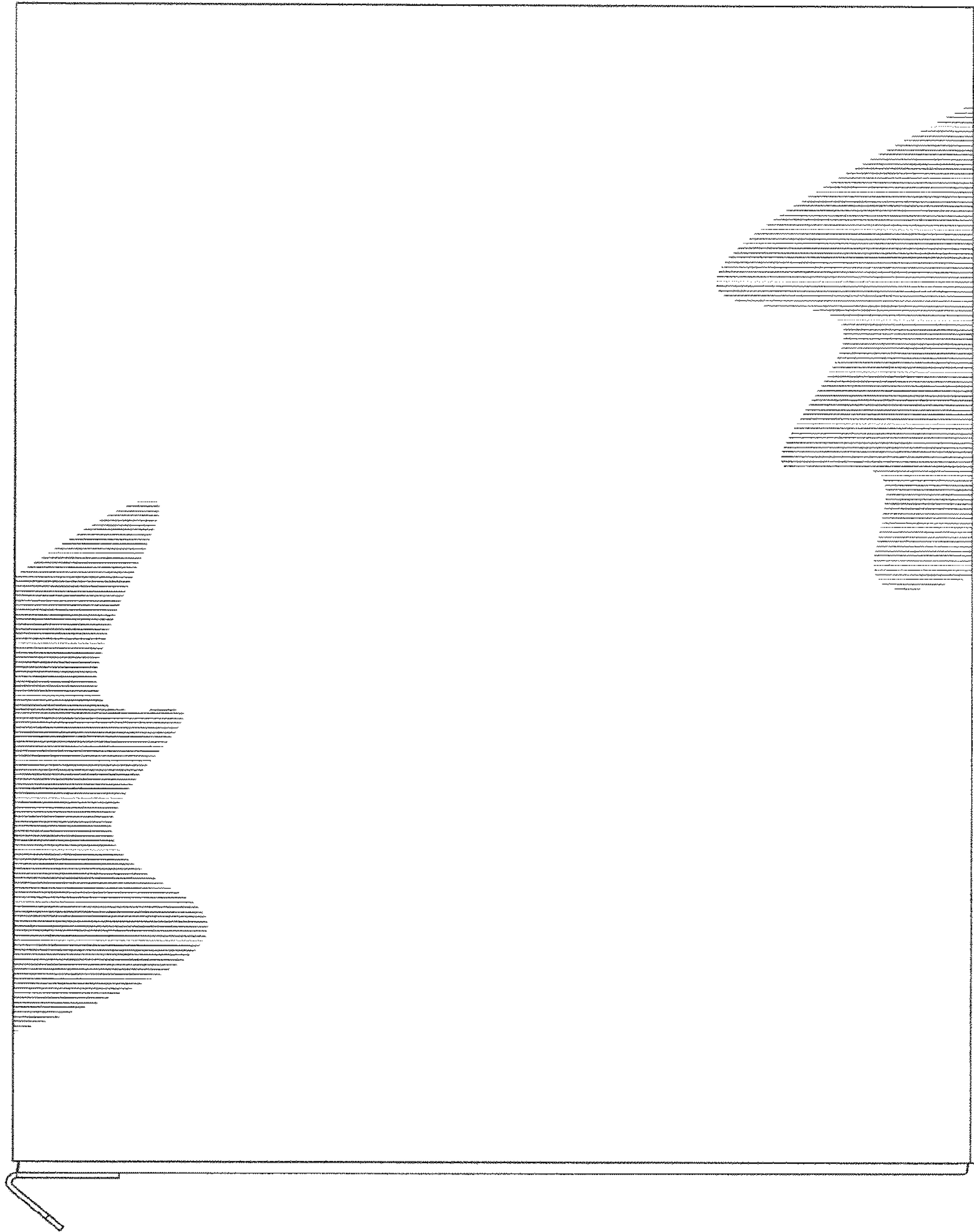


FIG. 8

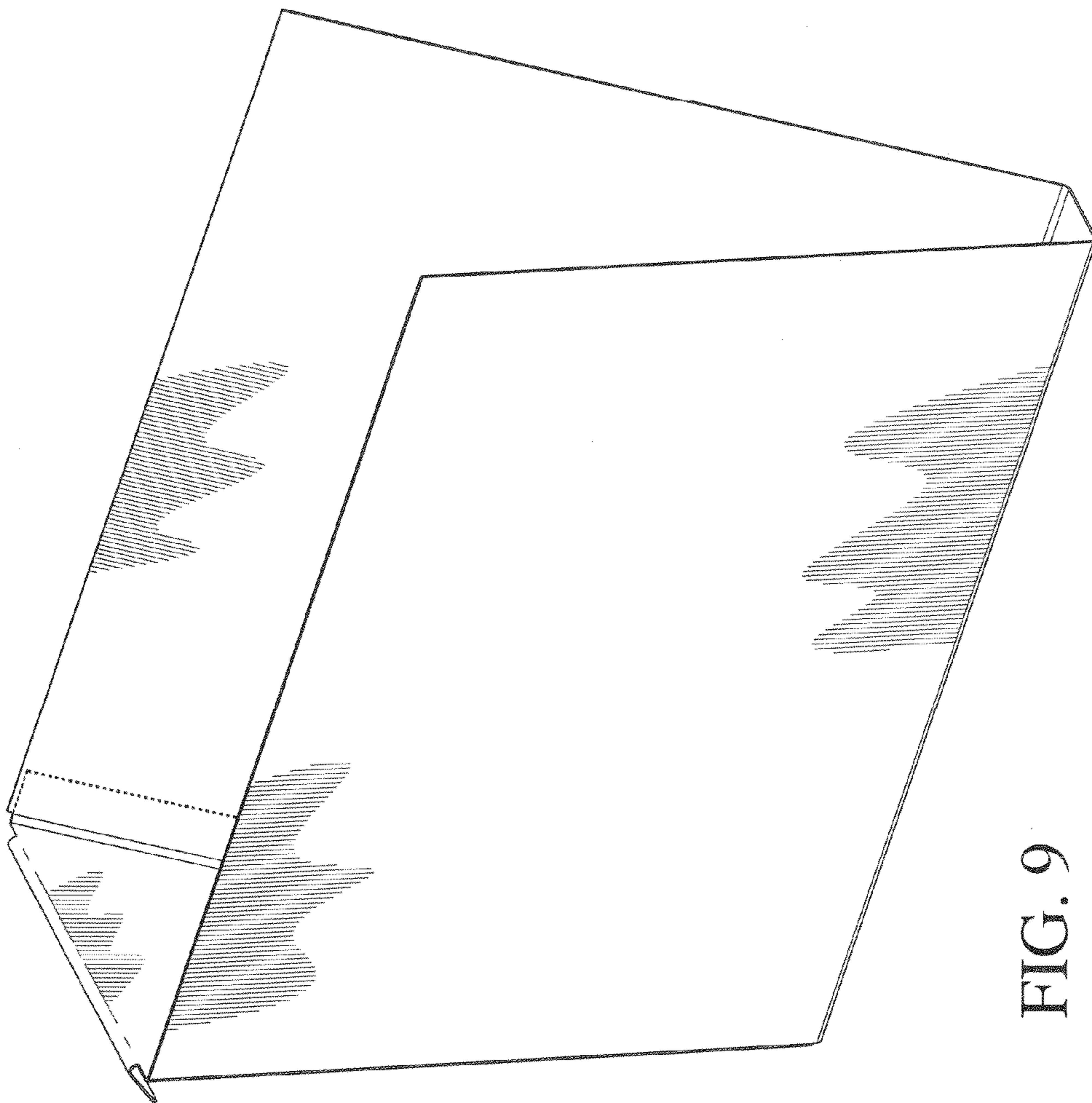


FIG. 9

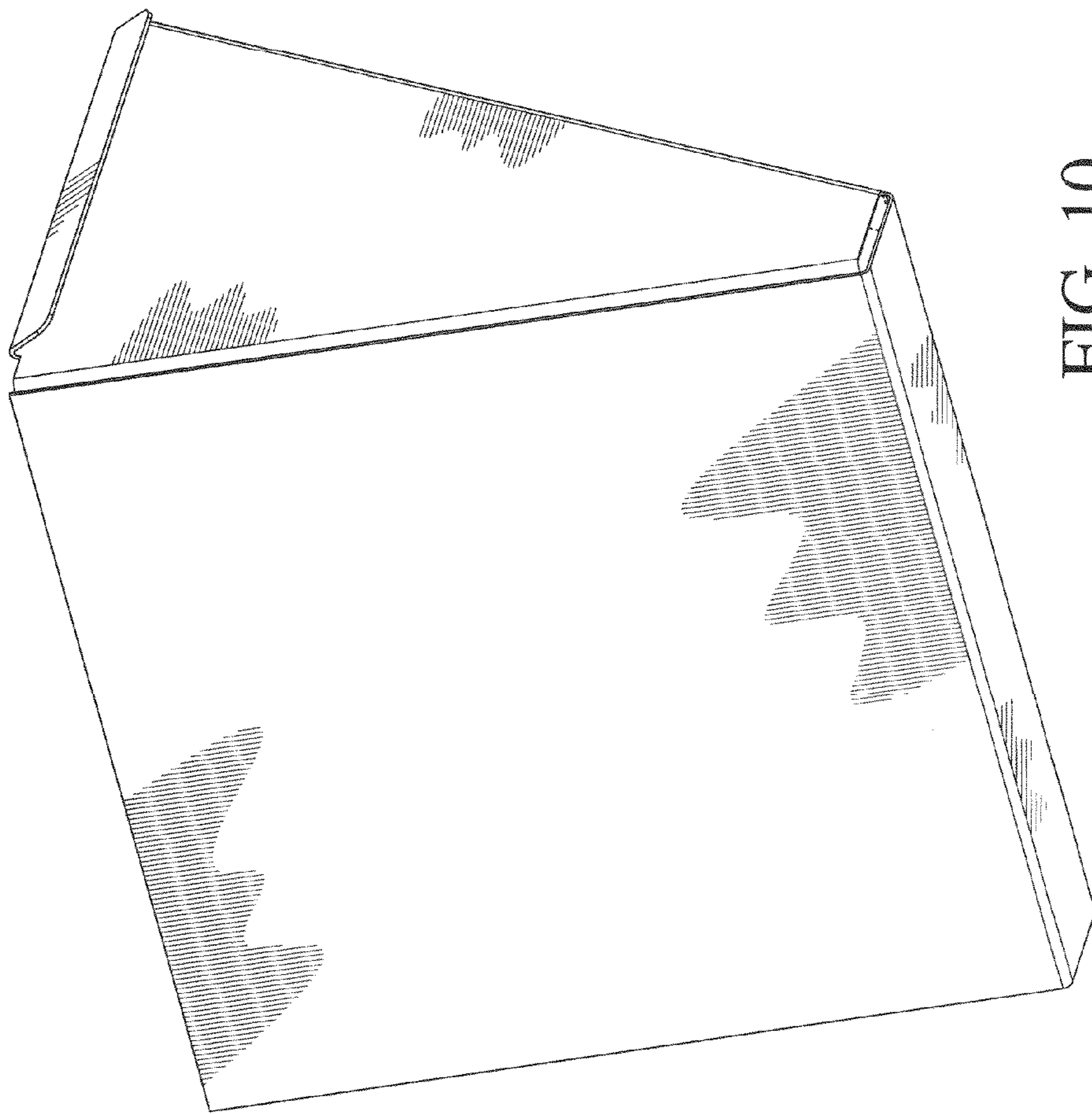


FIG. 10

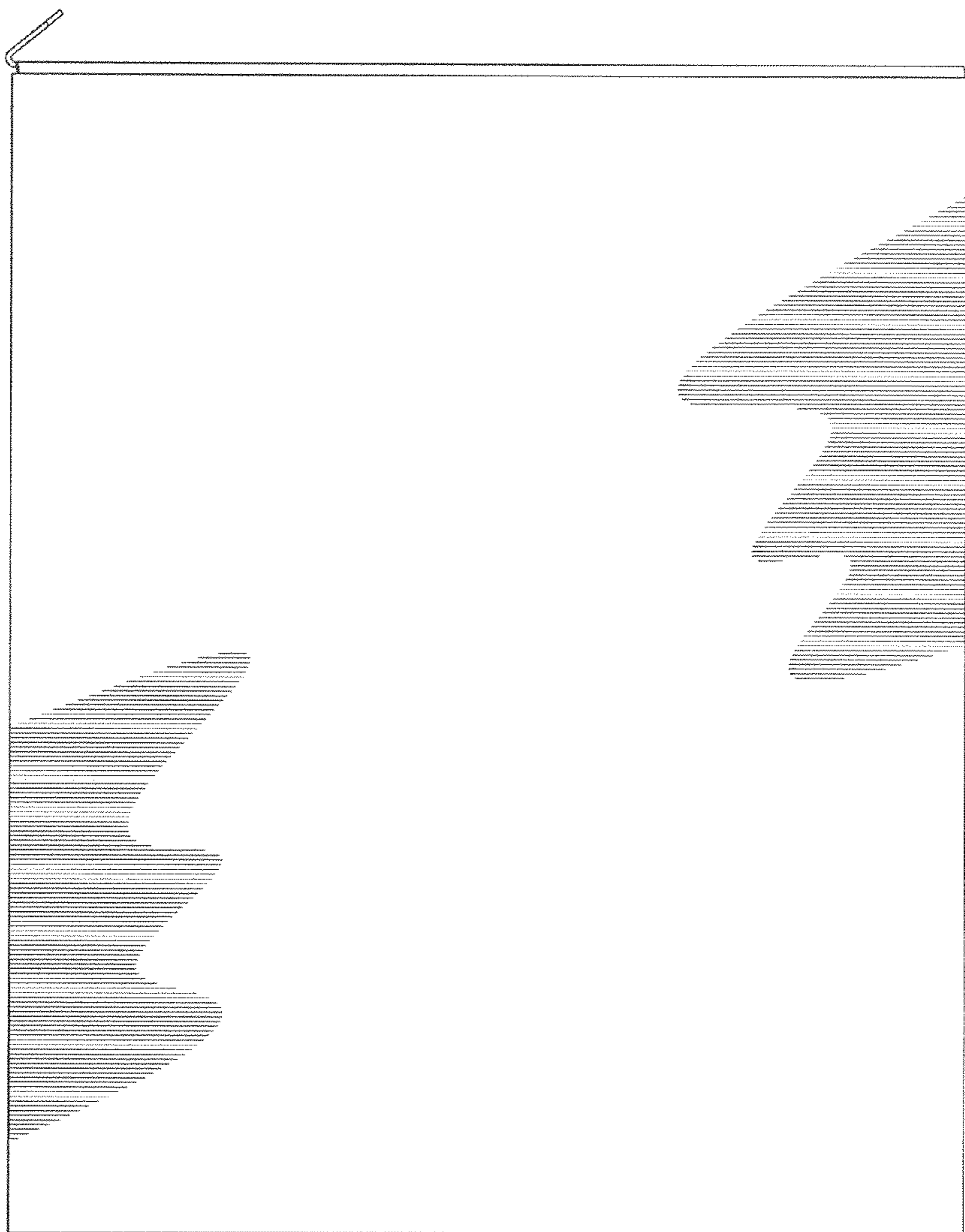


FIG. 11

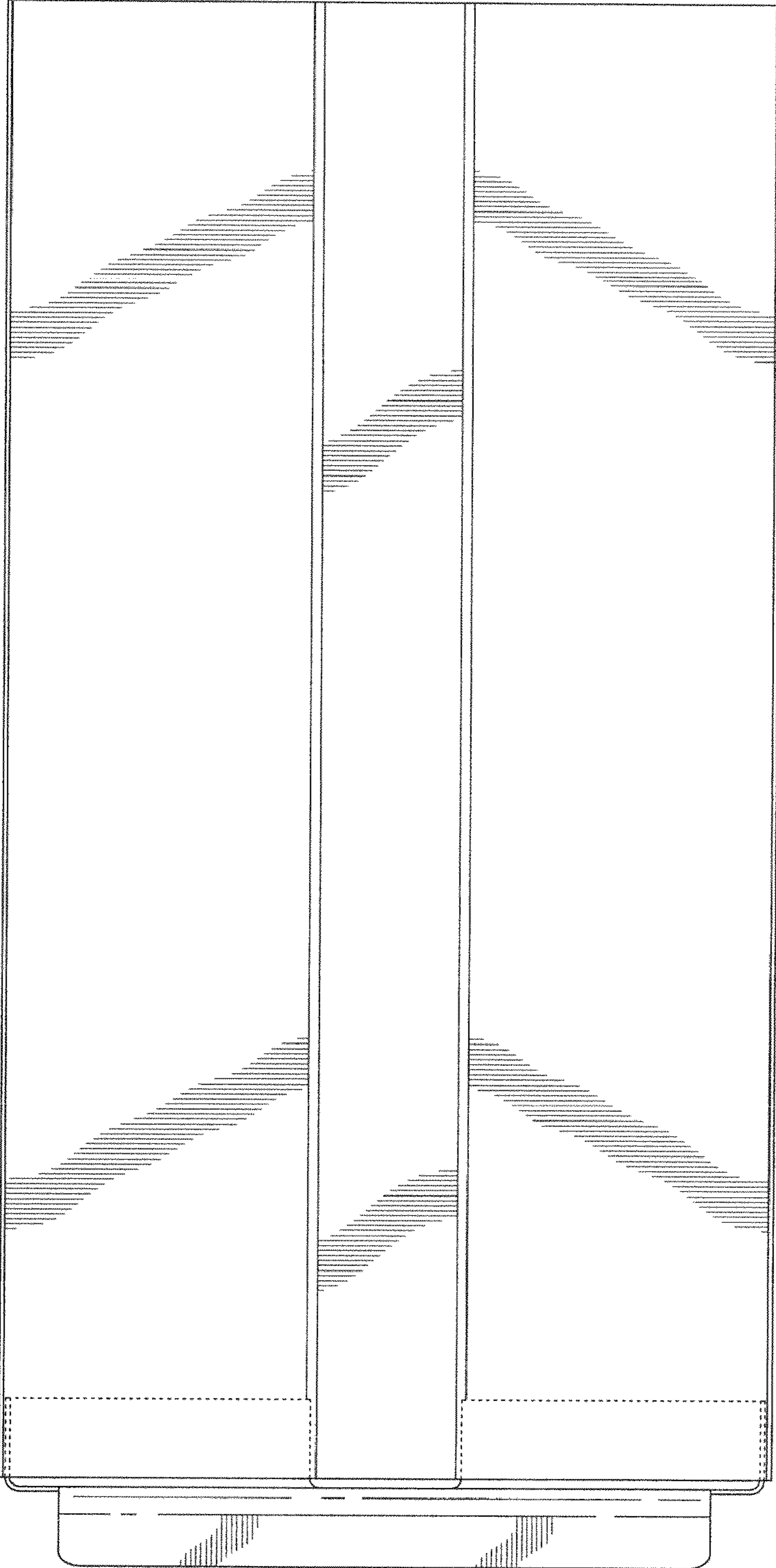


FIG. 12