



US00D679327S

(12) **United States Design Patent**
Liang

(10) **Patent No.:** **US D679,327 S**

(45) **Date of Patent:** **** Apr. 2, 2013**

- (54) **PEN**
- (75) Inventor: **Wenyan Liang**, Ningbo (CN)
- (73) Assignee: **Beifa Group Co., Ltd.**, Ningbo (CN)
- (**) Term: **14 Years**
- (21) Appl. No.: **29/405,749**
- (22) Filed: **Nov. 4, 2011**

- D510,386 S * 10/2005 Briggl D19/51
- D545,367 S * 6/2007 Ternovits D19/51
- D546,884 S * 7/2007 Ternovits D19/51
- 7,252,449 B2 * 8/2007 Carroll 401/108
- D559,317 S * 1/2008 Ikeda D19/51
- D562,397 S * 2/2008 Qiu et al. D19/51
- D562,398 S * 2/2008 Qiu et al. D19/51
- D569,431 S * 5/2008 Qiu et al. D19/51
- D575,339 S * 8/2008 Daida
- D592,245 S * 5/2009 Yu et al. D19/47
- D629,461 S * 12/2010 Shibata D19/49
- D650,441 S * 12/2011 Ikeda D19/47
- D667,880 S * 9/2012 Zhang D19/47

(30) **Foreign Application Priority Data**

May 4, 2011 (CN) 2011 3 0103255

- (51) **LOC (9) Cl.** **19-06**
- (52) **U.S. Cl.** **D19/51**
- (58) **Field of Classification Search** D14/411;
D19/35, 36, 41-51, 54-58; 24/11 F, 11 P,
24/11 R; 401/52, 99-109, 192, 195, 196
See application file for complete search history.

* cited by examiner

Primary Examiner — Elizabeth Albert

(74) *Attorney, Agent, or Firm* — Christensen O'Connor Johnson Kindness PLLC

(56) **References Cited**

U.S. PATENT DOCUMENTS

- D368,738 S 4/1996 Osada
- D410,681 S 6/1999 Izushima
- D452,526 S * 12/2001 Nishida D19/43
- D463,821 S 10/2002 Nishida
- D472,577 S * 4/2003 Sakuno et al. D19/51
- D495,001 S 8/2004 Anand
- D495,002 S 8/2004 Sung
- D495,744 S * 9/2004 Ikeda D19/51
- D507,811 S * 7/2005 Shibata et al. D19/49
- D509,853 S 9/2005 Anand

(57) **CLAIM**

The ornamental design for a pen, as shown and described.

DESCRIPTION

FIG. 1 is an upper front left perspective view of a pen showing my new design;

FIG. 2 is a front elevation view thereof;

FIG. 3 is a rear elevation view thereof;

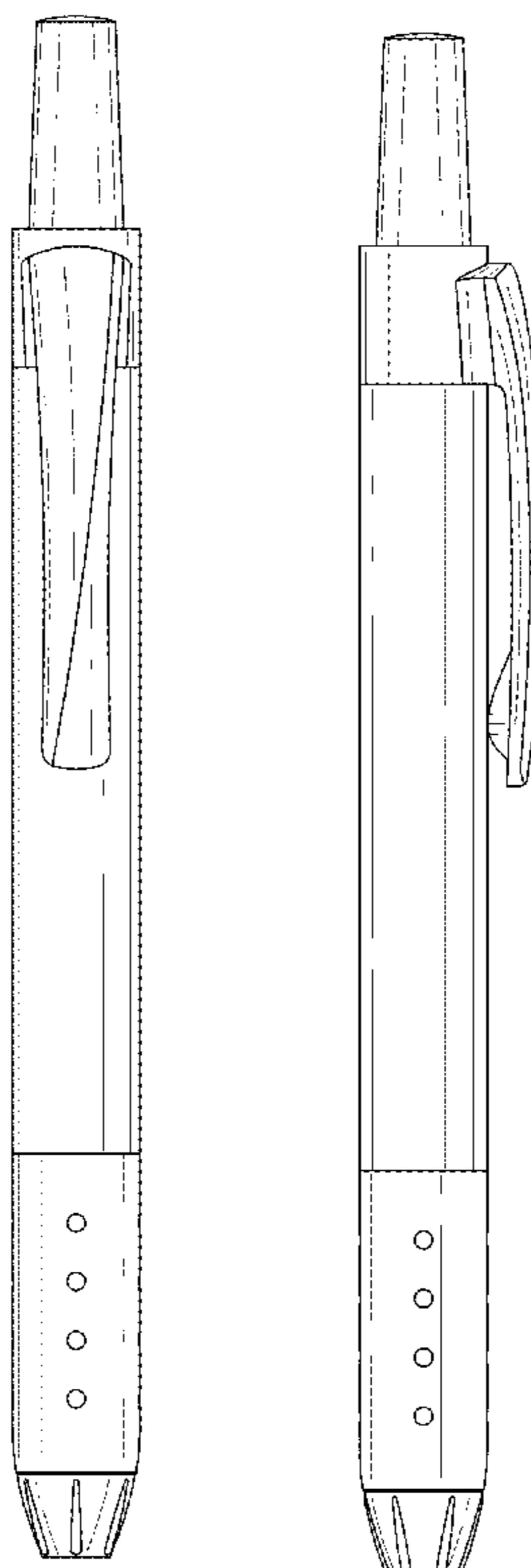
FIG. 4 is a right side elevation view thereof;

FIG. 5 is a left side elevation view thereof;

FIG. 6 is an enlarged top plan view thereof; and,

FIG. 7 is an enlarged bottom plan view thereof.

1 Claim, 4 Drawing Sheets



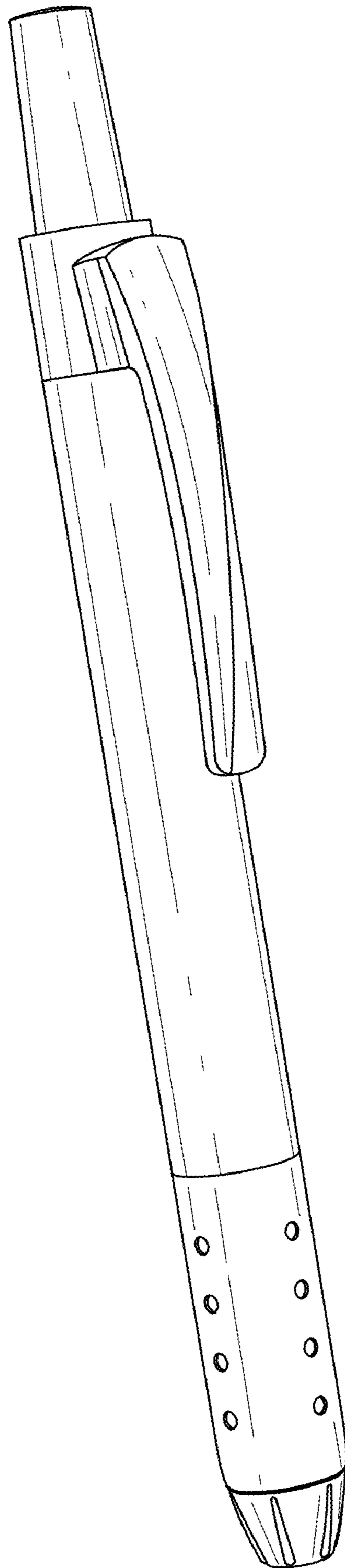


Fig. 1

Fig. 2

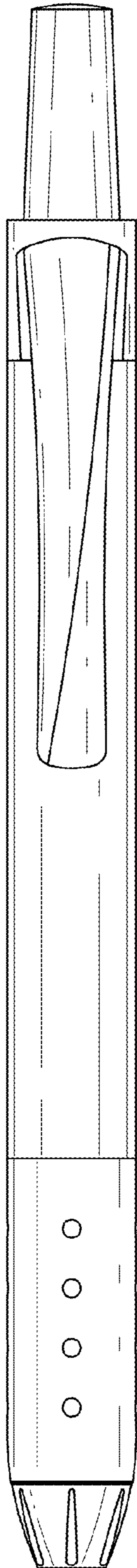


Fig. 3

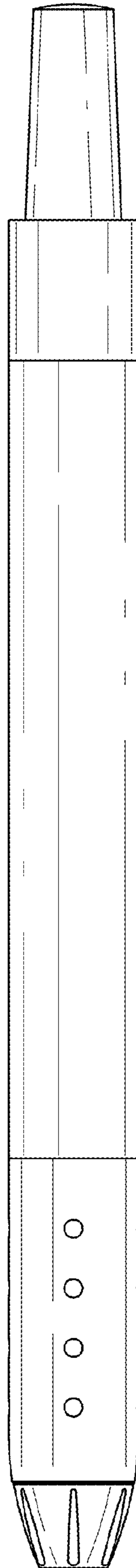


Fig. 4

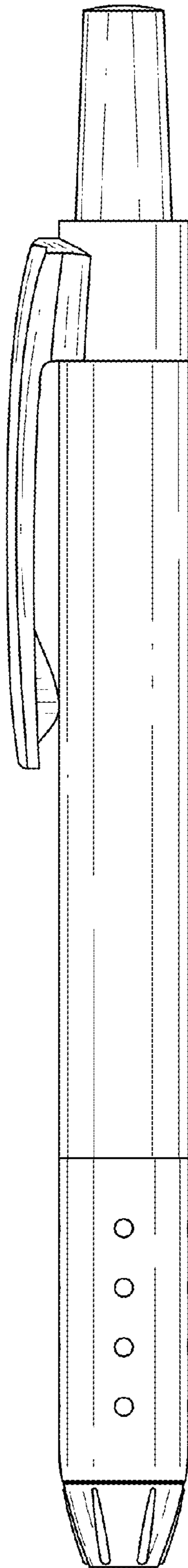
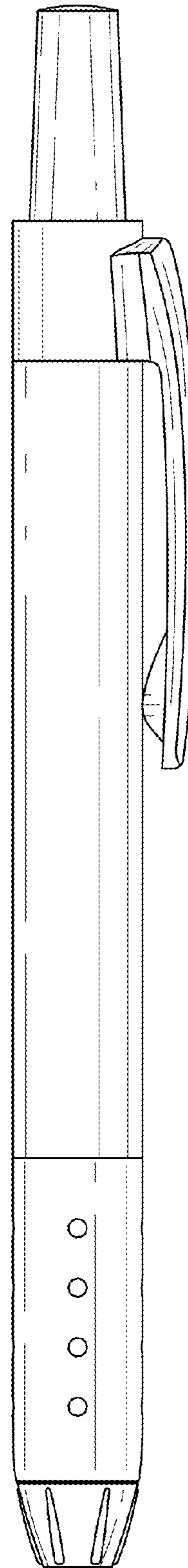


Fig. 5



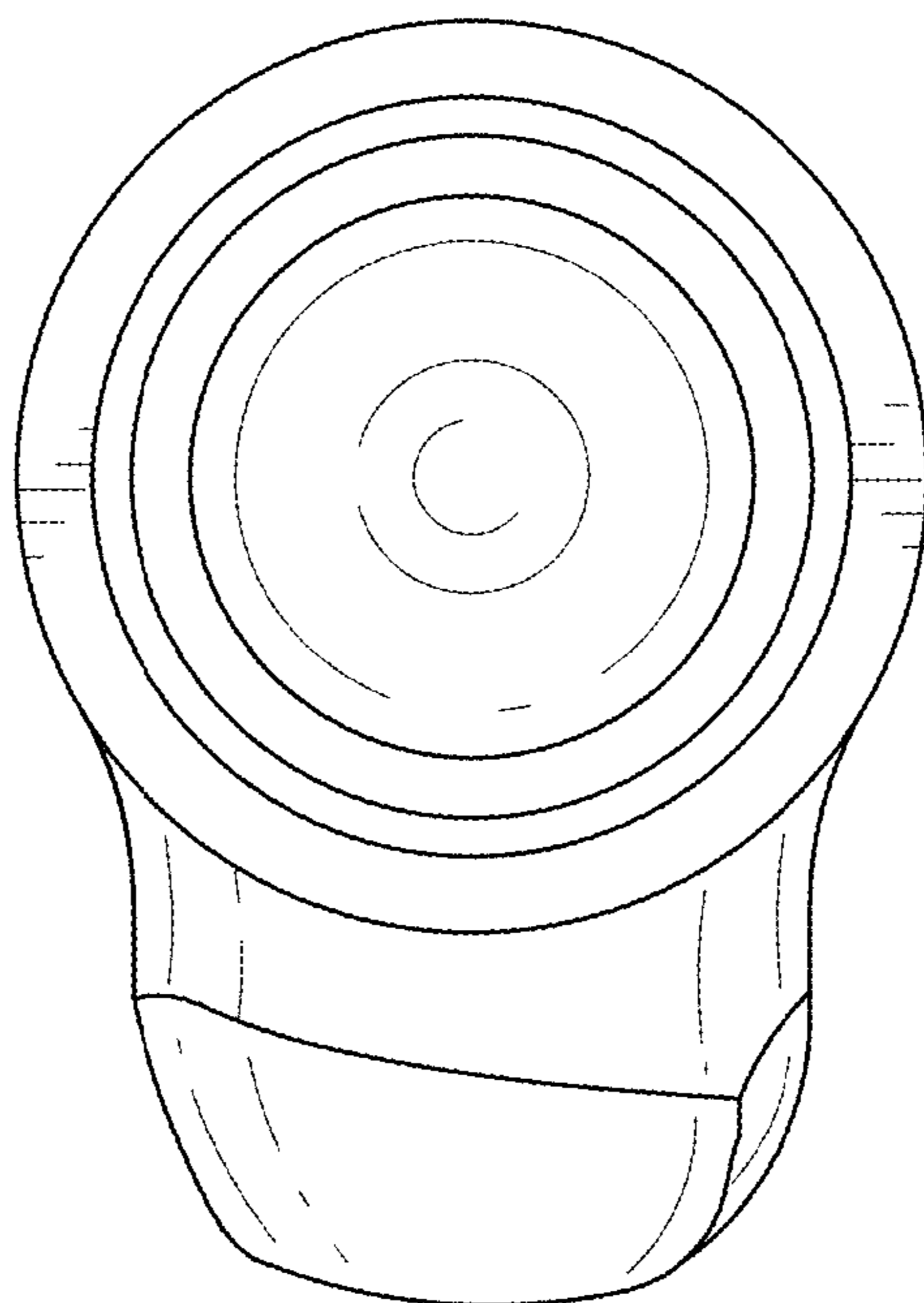


Fig. 6

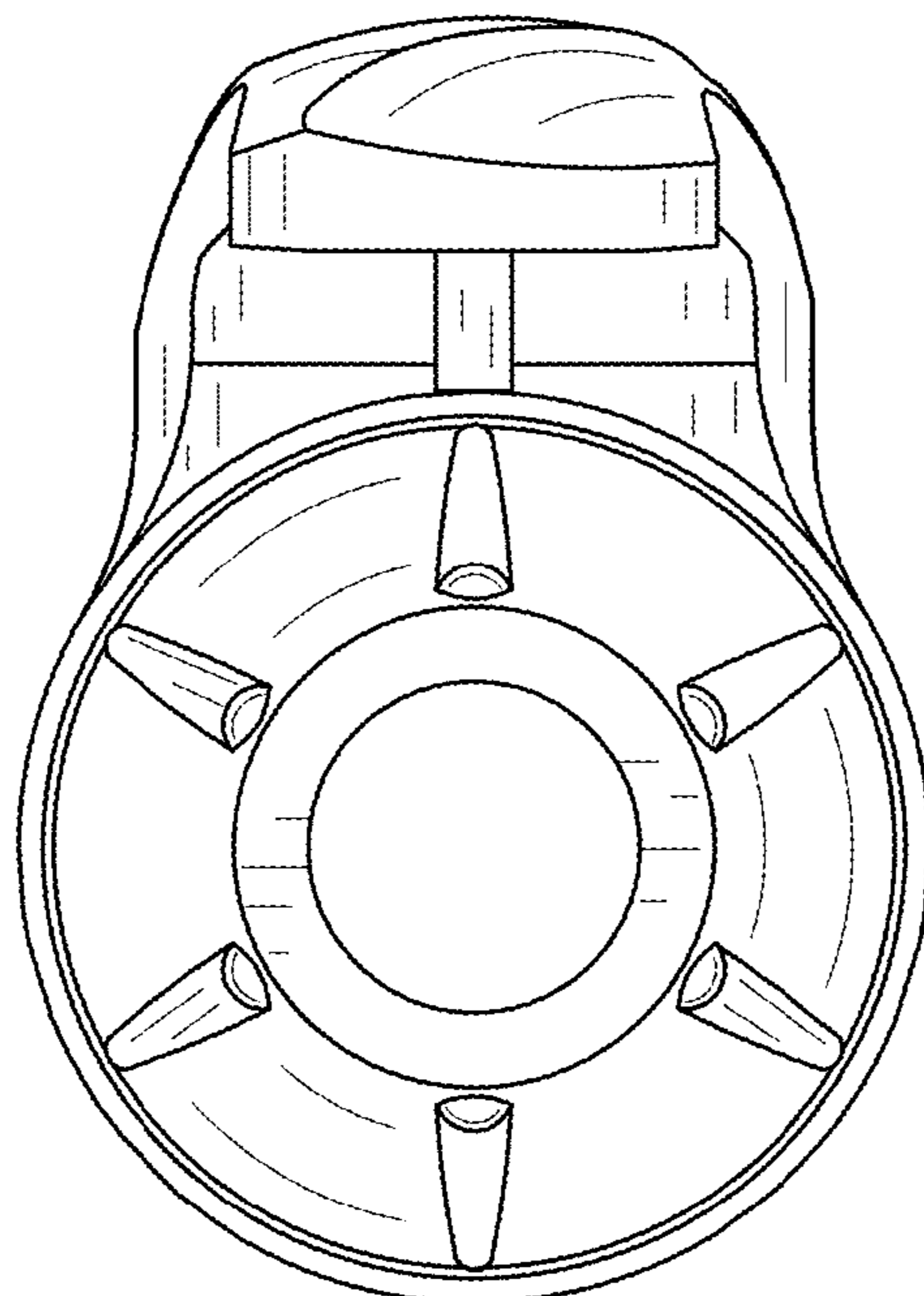


Fig. 7