



US00D679325S

(12) **United States Design Patent**
Liang

(10) **Patent No.:** **US D679,325 S**

(45) **Date of Patent:** **** Apr. 2, 2013**

(54) **PEN**

(75) Inventor: **Wenyan Liang**, Ningbo (CN)

(73) Assignee: **Beifa Group Co., Ltd.**, Ningbo (CN)

(**) Term: **14 Years**

(21) Appl. No.: **29/405,747**

(22) Filed: **Nov. 4, 2011**

(30) **Foreign Application Priority Data**

May 4, 2011 (CN) 2011 3 0102984

(51) **LOC (9) Cl.** **19-06**

(52) **U.S. Cl.** **D19/50**

(58) **Field of Classification Search** D14/411;

D19/35, 36, 41-51, 54-58; 24/11 F, 11 P,

24/11 R; 401/52, 99-109, 192, 195, 196

See application file for complete search history.

(56) **References Cited**

U.S. PATENT DOCUMENTS

| | | | |
|--------------|---------|--------------|--------|
| D390,872 S | 2/1998 | Sunaga | |
| D414,201 S | 9/1999 | Larson | |
| D483,066 S * | 12/2003 | Takanashi | D19/43 |
| D487,776 S * | 3/2004 | Keda | D19/57 |
| D489,088 S * | 4/2004 | Arita et al. | D19/43 |
| D507,299 S * | 7/2005 | Qiu | D19/43 |
| D572,308 S * | 7/2008 | Bhavnani | D19/57 |

D576,212 S * 9/2008 Qiu et al. D19/47

D591,351 S * 4/2009 Shi D19/50

D616,499 S * 5/2010 Liu D19/50

D641,411 S * 7/2011 Tan D19/50

D645,506 S * 9/2011 Hung D19/36

OTHER PUBLICATIONS

Yuan, F., "Pen," U.S. Appl. No. 29/396,506, filed Jun. 30, 2011.

* cited by examiner

Primary Examiner — Elizabeth Albert

(74) *Attorney, Agent, or Firm* — Christensen O'Connor Johnson Kindness PLLC

(57) **CLAIM**

The ornamental design for a pen, as shown and described.

DESCRIPTION

FIG. 1 is an upper front left perspective view of a pen showing my new design;

FIG. 2 is a front elevation view thereof;

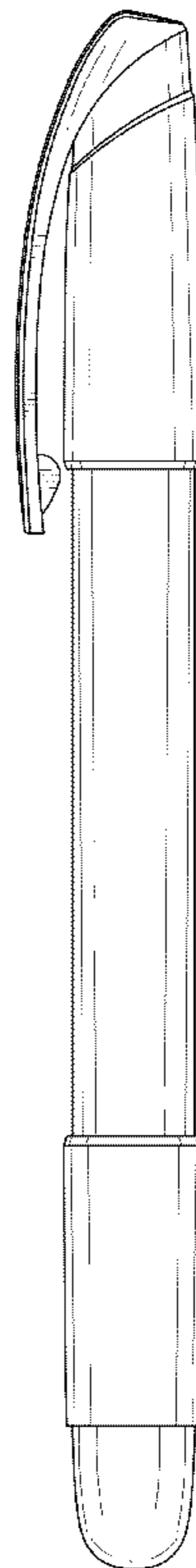
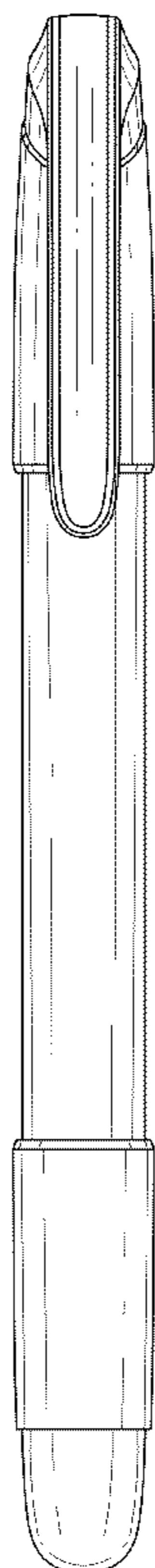
FIG. 3 is a rear elevation view thereof;

FIG. 4 is a right side elevation view thereof, with the left side elevation view being a minor image of the right side elevation view;

FIG. 5 is an enlarged top plan view thereof; and,

FIG. 6 is an enlarged bottom plan view thereof.

1 Claim, 4 Drawing Sheets



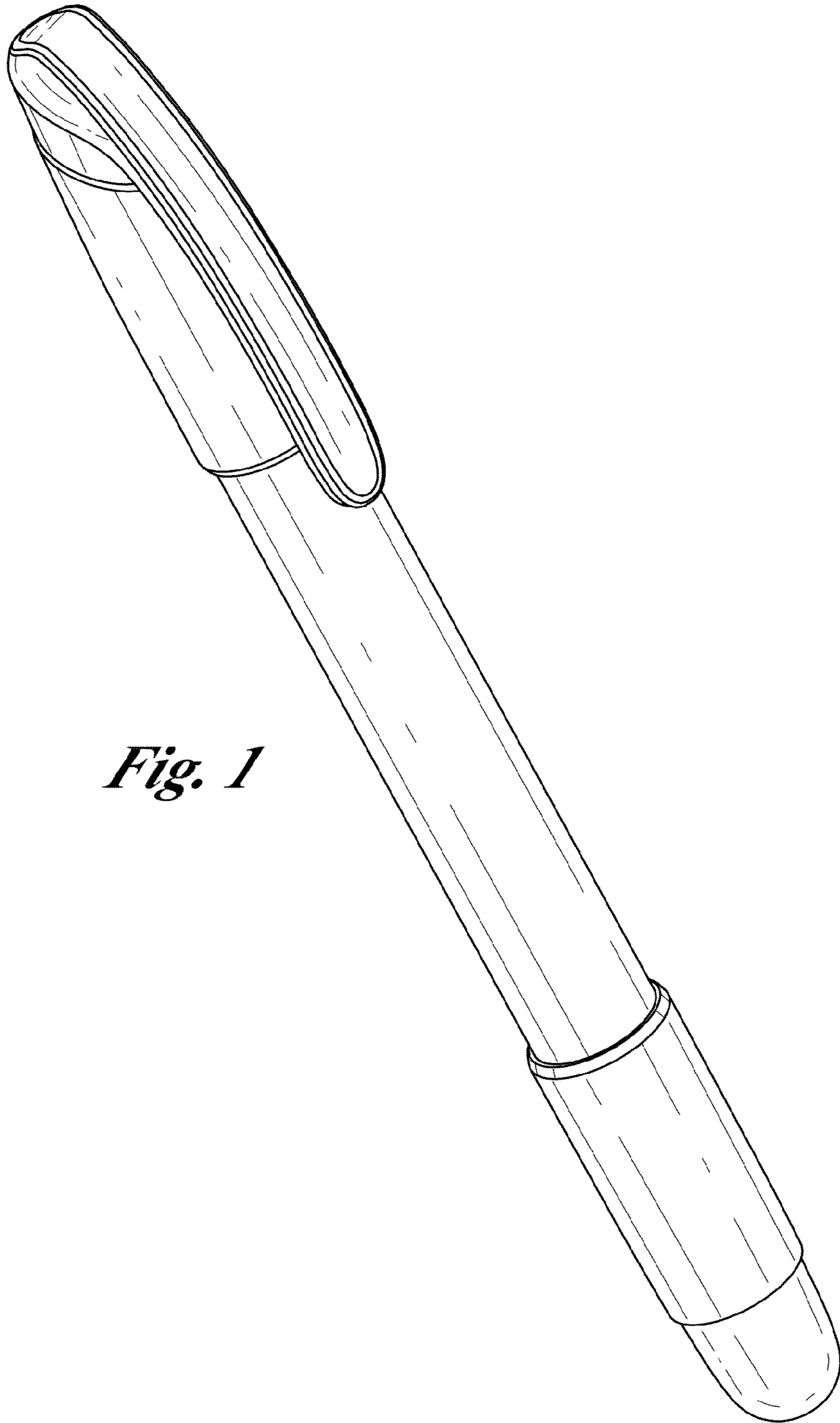


Fig. 1

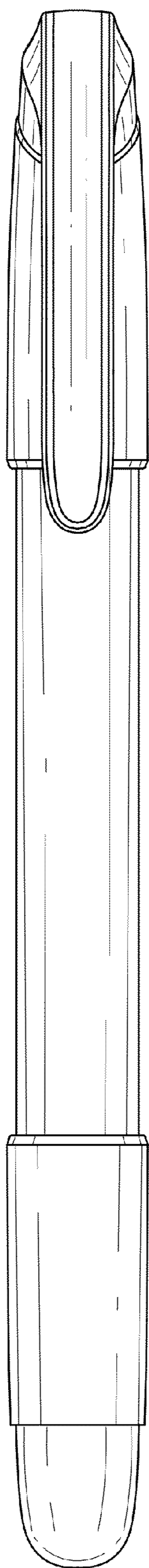


Fig. 2

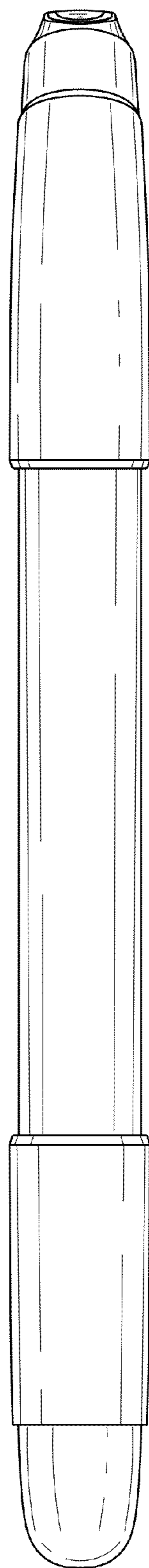


Fig. 3

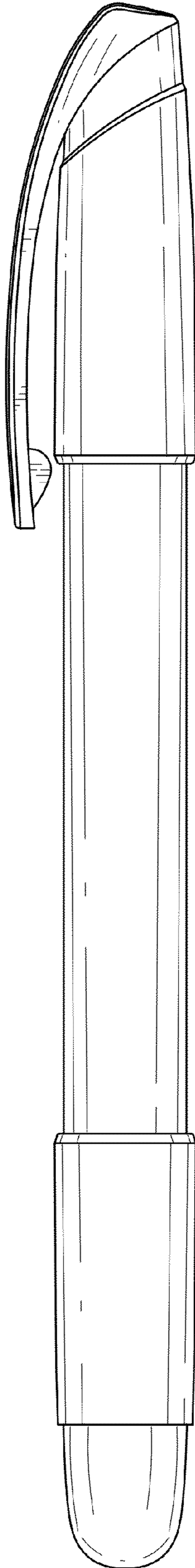


Fig. 4

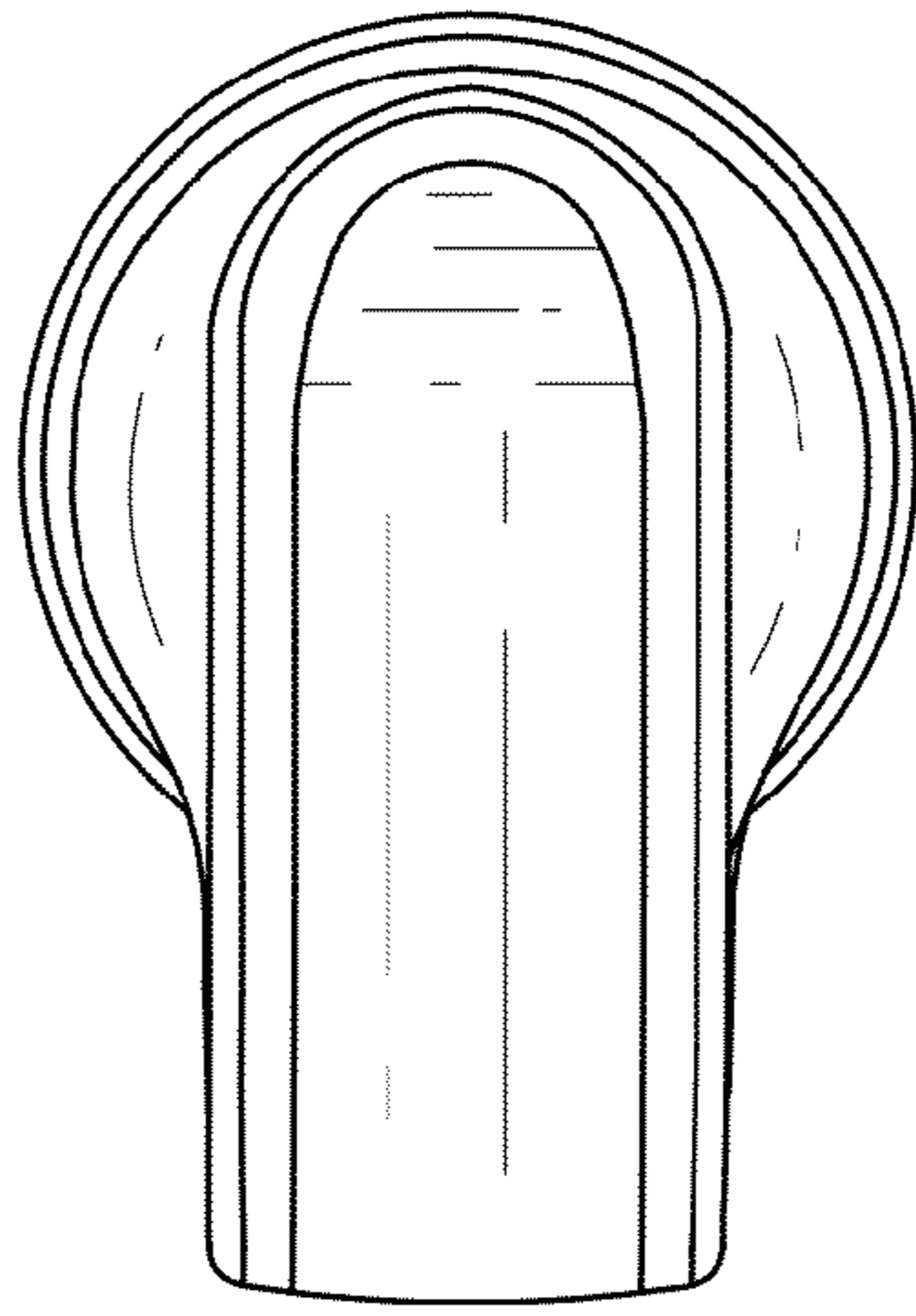


Fig. 5

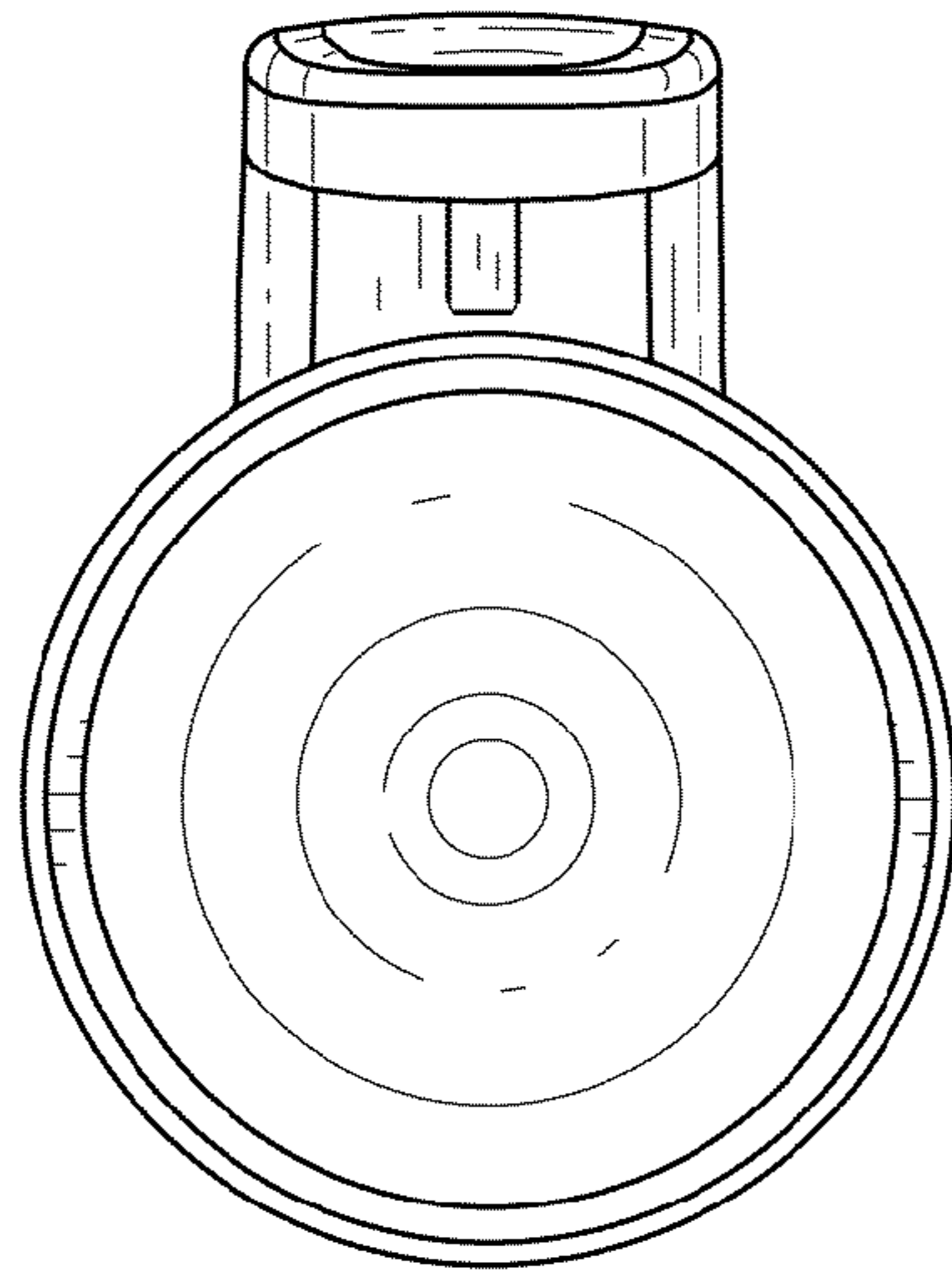


Fig. 6