



US00D679324S

(12) **United States Design Patent**  
**Liang**

(10) **Patent No.:** **US D679,324 S**

(45) **Date of Patent:** **\*\* Apr. 2, 2013**

(54) **PEN**

(75) Inventor: **Wenyan Liang**, Ningbo (CN)

(73) Assignee: **Beifa Group Co., Ltd.**, Ningbo (CN)

(\*\*) Term: **14 Years**

(21) Appl. No.: **29/405,709**

(22) Filed: **Nov. 4, 2011**

(30) **Foreign Application Priority Data**

May 4, 2011 (CN) ..... 2011 3 0102653

(51) **LOC (9) Cl.** ..... **19-06**

(52) **U.S. Cl.** ..... **D19/49**

(58) **Field of Classification Search** ..... D14/411;  
D19/35, 36, 41-51, 54-58; 24/11 F, 11 P,  
24/11 R; 401/52, 99-109, 192, 195, 196  
See application file for complete search history.

(56) **References Cited**

**U.S. PATENT DOCUMENTS**

D265,740 S	8/1982	Pook	
4,765,767 A *	8/1988	Marynissen et al.	401/213
D352,311 S	11/1994	Waldinger	
D363,308 S	10/1995	Sekine	
D385,916 S *	11/1997	Katami	D19/48
D421,625 S *	3/2000	Oka	D19/49

D452,526 S *	12/2001	Nishida	D19/43
D461,501 S *	8/2002	Nishida	D19/43
D484,536 S *	12/2003	Takanashi	D19/43
D540,383 S *	4/2007	Nishida	D19/43
D544,541 S *	6/2007	Li	D19/43
D574,890 S	8/2008	Avenatti	
D662,977 S *	7/2012	Liang	D19/43
D662,980 S *	7/2012	Jiang	D19/43
D662,981 S *	7/2012	Xie	D19/43

\* cited by examiner

*Primary Examiner* — Elizabeth Albert

(74) *Attorney, Agent, or Firm* — Christensen O'Connor Johnson Kindness PLLC

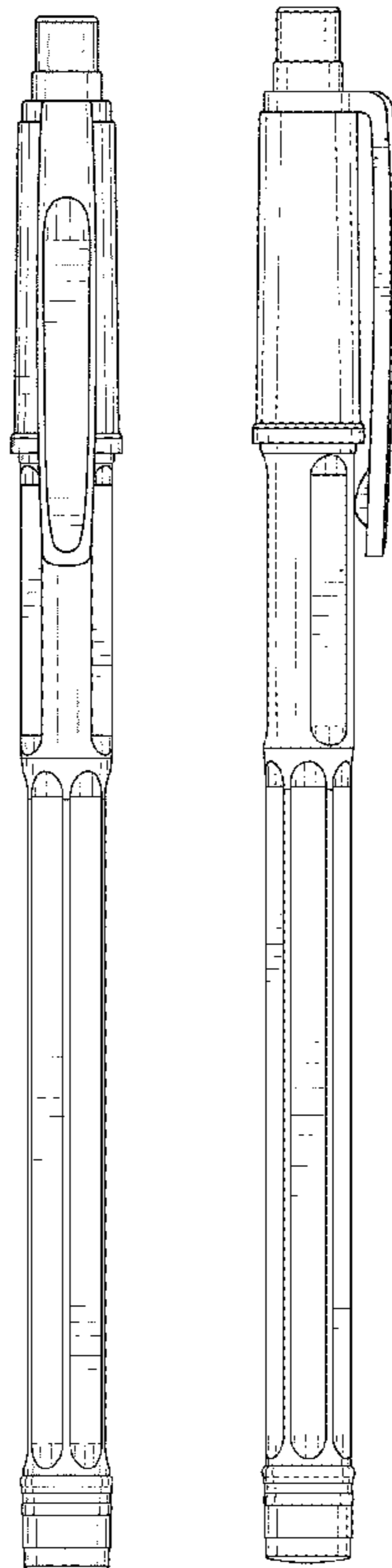
(57) **CLAIM**

The ornamental design for a pen, as shown and described.

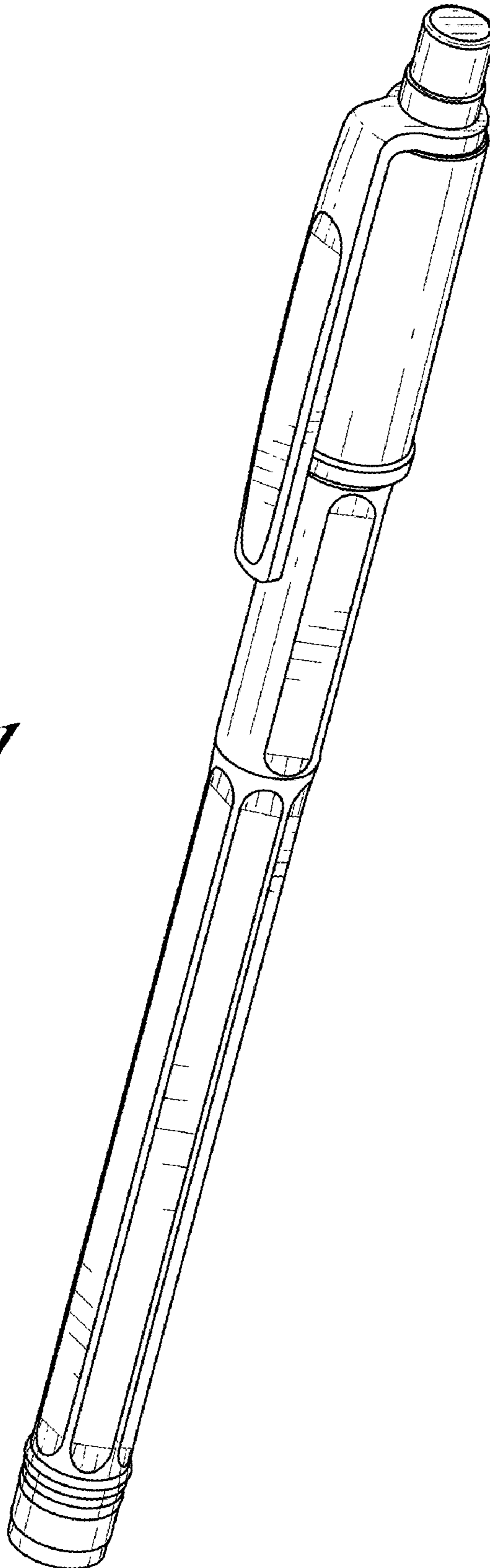
**DESCRIPTION**

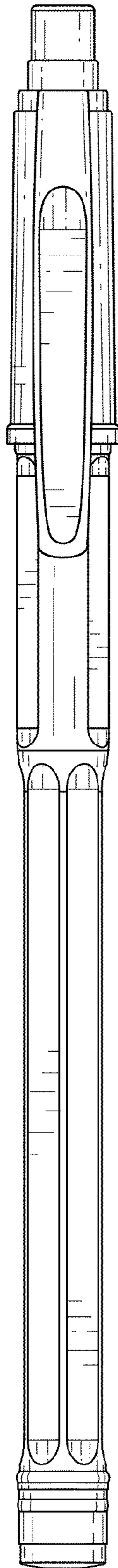
FIG. 1 is an upper front right perspective view of a pen showing my new design;  
FIG. 2 is a front elevation view thereof;  
FIG. 3 is a rear elevation view thereof;  
FIG. 4 is a left side elevation view thereof, with the right side elevation view being a mirror image of the left side elevation view;  
FIG. 5 is an enlarged top plan view thereof; and,  
FIG. 6 is an enlarged bottom plan view thereof.  
The broken lines shown in FIG. 6 illustrate environmental subject matter and form no part of the claimed design.

**1 Claim, 4 Drawing Sheets**

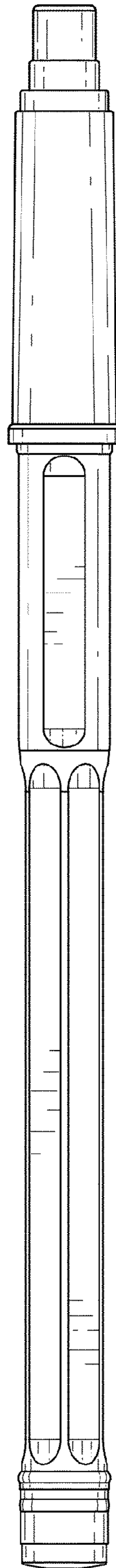


*Fig. 1*

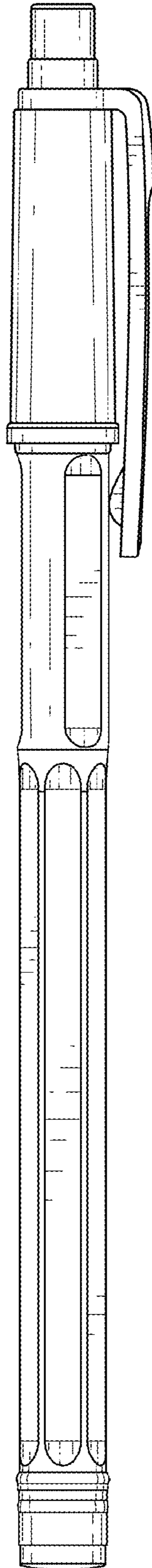




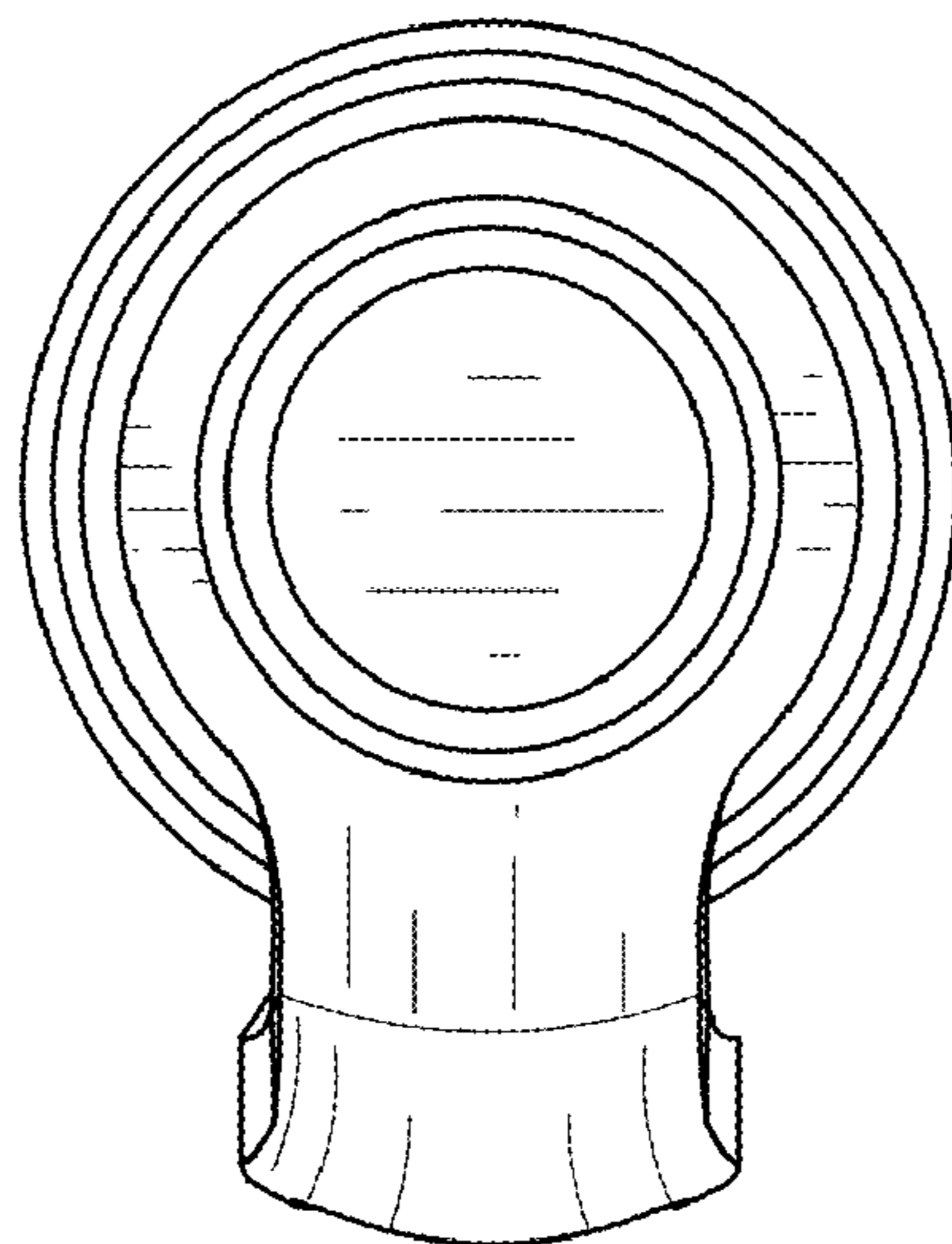
*Fig. 2*



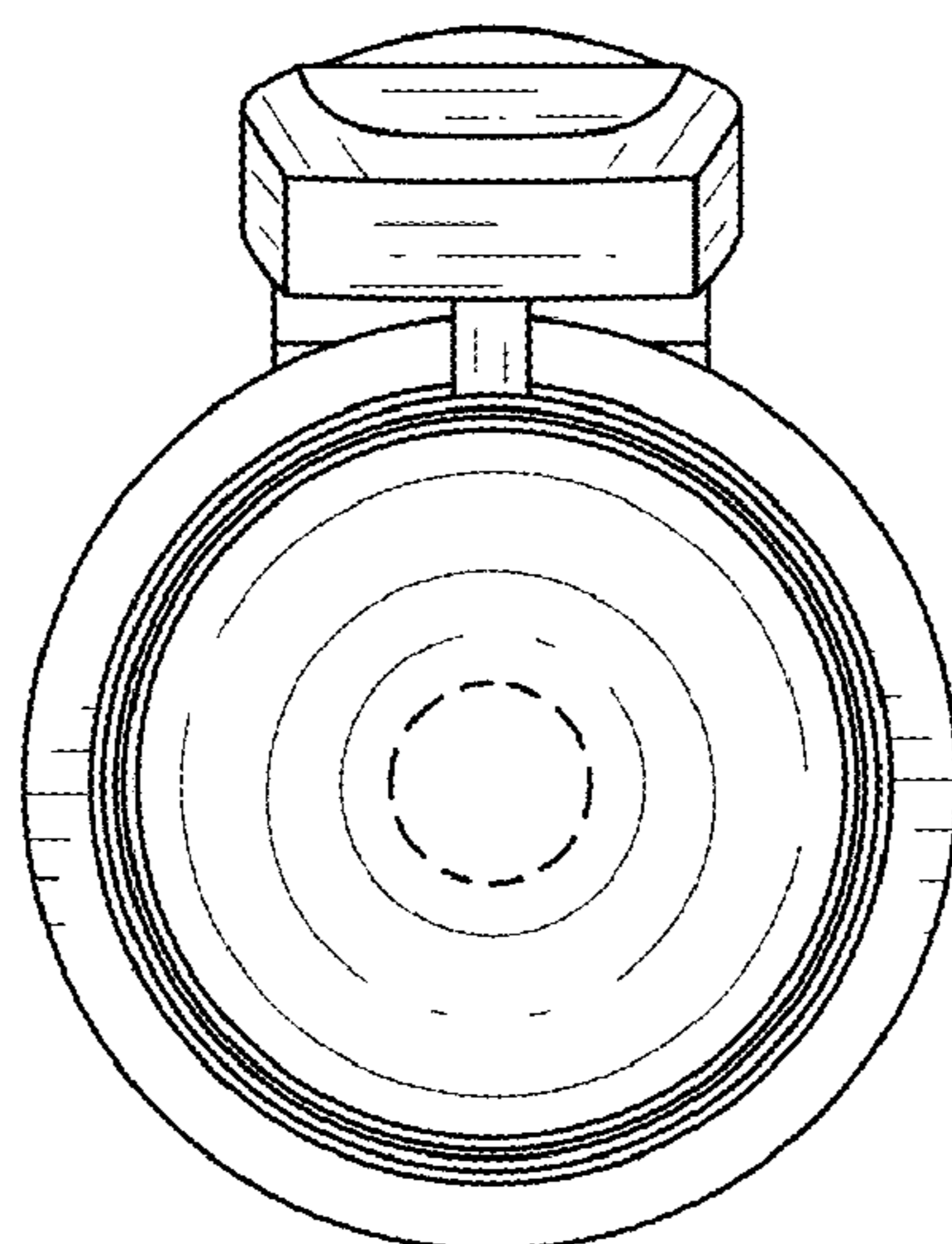
*Fig. 3*



*Fig. 4*



*Fig. 5*



*Fig. 6*