



US00D679323S

(12) **United States Design Patent**
Jiang

(10) **Patent No.:** **US D679,323 S**

(45) **Date of Patent:** **** Apr. 2, 2013**

(54) **PEN**

(75) Inventor: **Linghua Jiang**, Ningbo (CN)

(73) Assignee: **Beifa Group Co., Ltd.**, Ningbo (CN)

(**) Term: **14 Years**

(21) Appl. No.: **29/404,334**

(22) Filed: **Oct. 19, 2011**

(30) **Foreign Application Priority Data**

Apr. 29, 2011 (CN) 2011 3 0098877

(51) **LOC (9) Cl.** **19-06**

(52) **U.S. Cl.** **D19/48**

(58) **Field of Classification Search** D14/411;
D19/35, 36, 41-51, 54-58; 24/11 F, 11 P,
24/11 R; 401/52, 99-109, 192, 195, 196
See application file for complete search history.

(56) **References Cited**

U.S. PATENT DOCUMENTS

D378,601 S *	3/1997	Sakuno	D19/48
D453,187 S *	1/2002	Keda	D19/48
D506,502 S *	6/2005	Qiu	D19/48
D541,342 S *	4/2007	Qiu	D19/48

D550,771 S	9/2007	Qiu	
D552,674 S	10/2007	Qiu	
D552,675 S	10/2007	Zhang	
D559,313 S *	1/2008	Qiu et al. D19/48
D559,318 S *	1/2008	Qiu et al. D19/51
D577,070 S *	9/2008	Qiu et al. D19/51
D586,854 S *	2/2009	Tan D19/49
D613,336 S *	4/2010	Yu D19/42
D663,773 S *	7/2012	Casciotti et al. D19/55
D665,024 S *	8/2012	Shimizu D19/48

* cited by examiner

Primary Examiner — Elizabeth Albert

(74) *Attorney, Agent, or Firm* — Christensen O'Connor Johnson Kindness PLLC

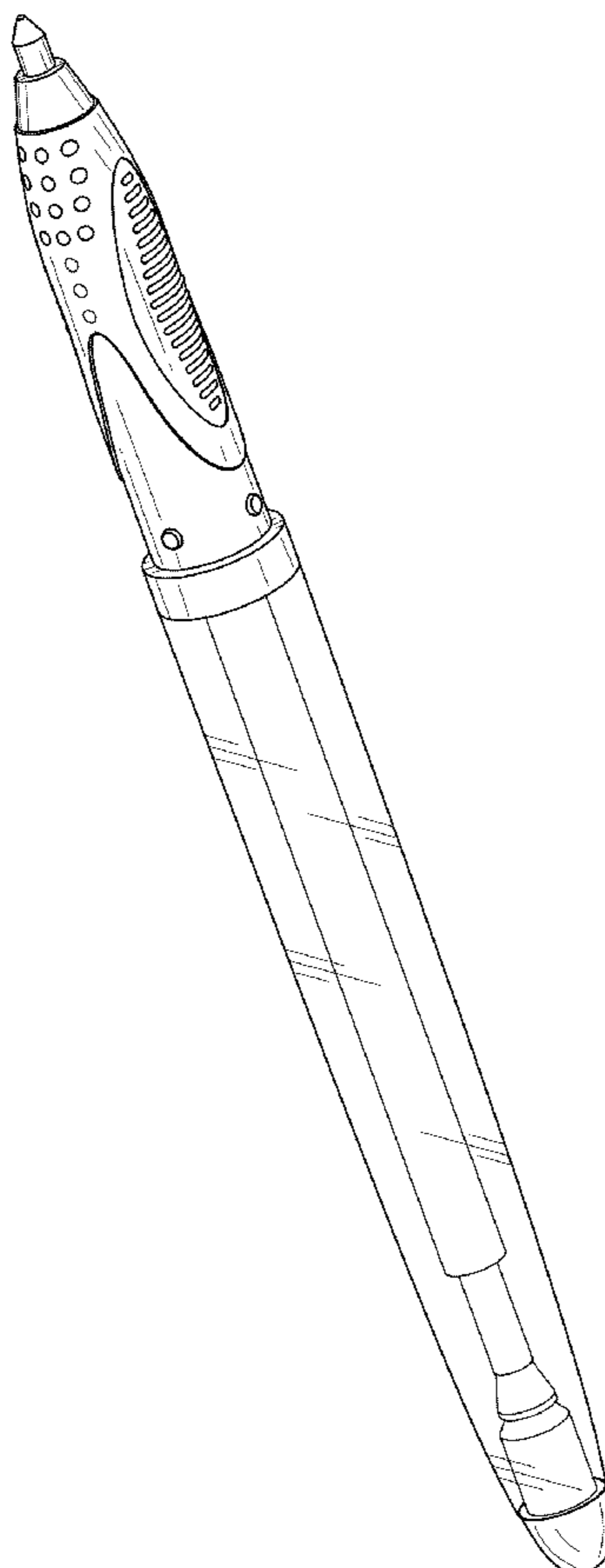
(57) **CLAIM**

The ornamental design for a pen, as shown and described.

DESCRIPTION

FIG. 1 is an upper front right perspective view of a pen showing my new design;
FIG. 2 is a front elevation view thereof, with the rear elevation view being a mirror image of the front elevation view;
FIG. 3 is a right side elevation view thereof, with the left side elevation view being a mirror image of the right side elevation view;
FIG. 4 is a top plan view thereof; and,
FIG. 5 is a bottom plan view thereof.

1 Claim, 3 Drawing Sheets



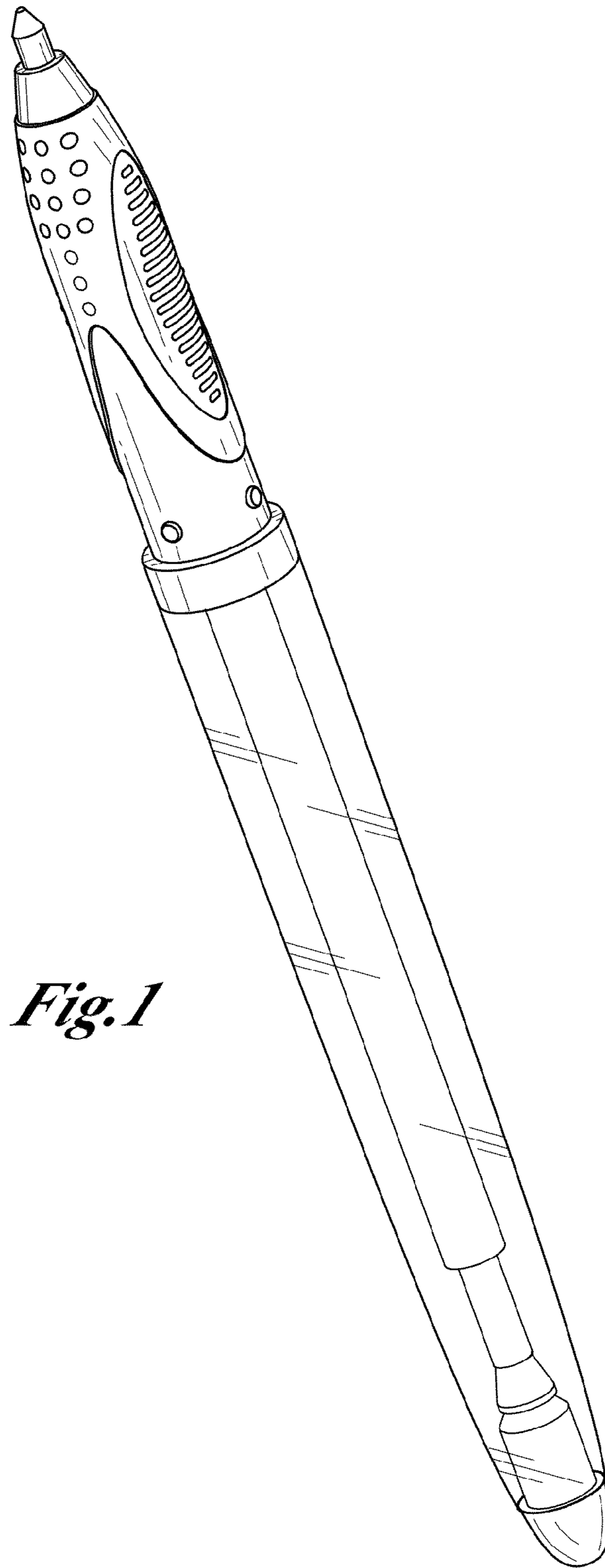


Fig. 1

Fig.2

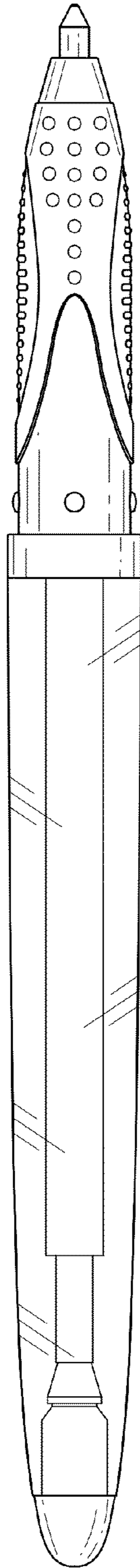
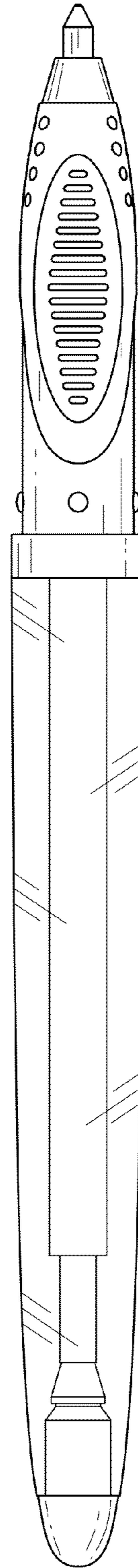


Fig.3



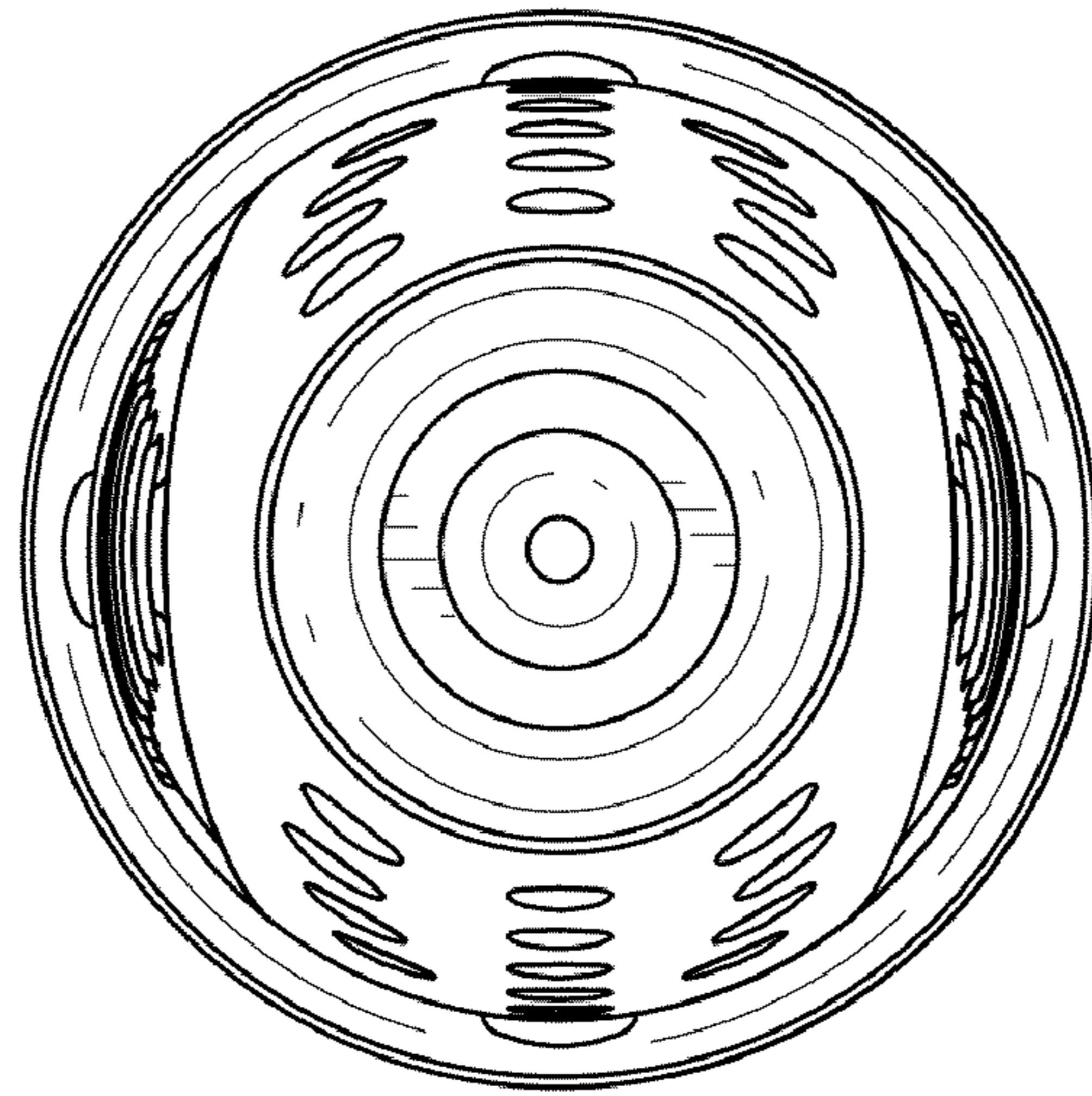


Fig. 4

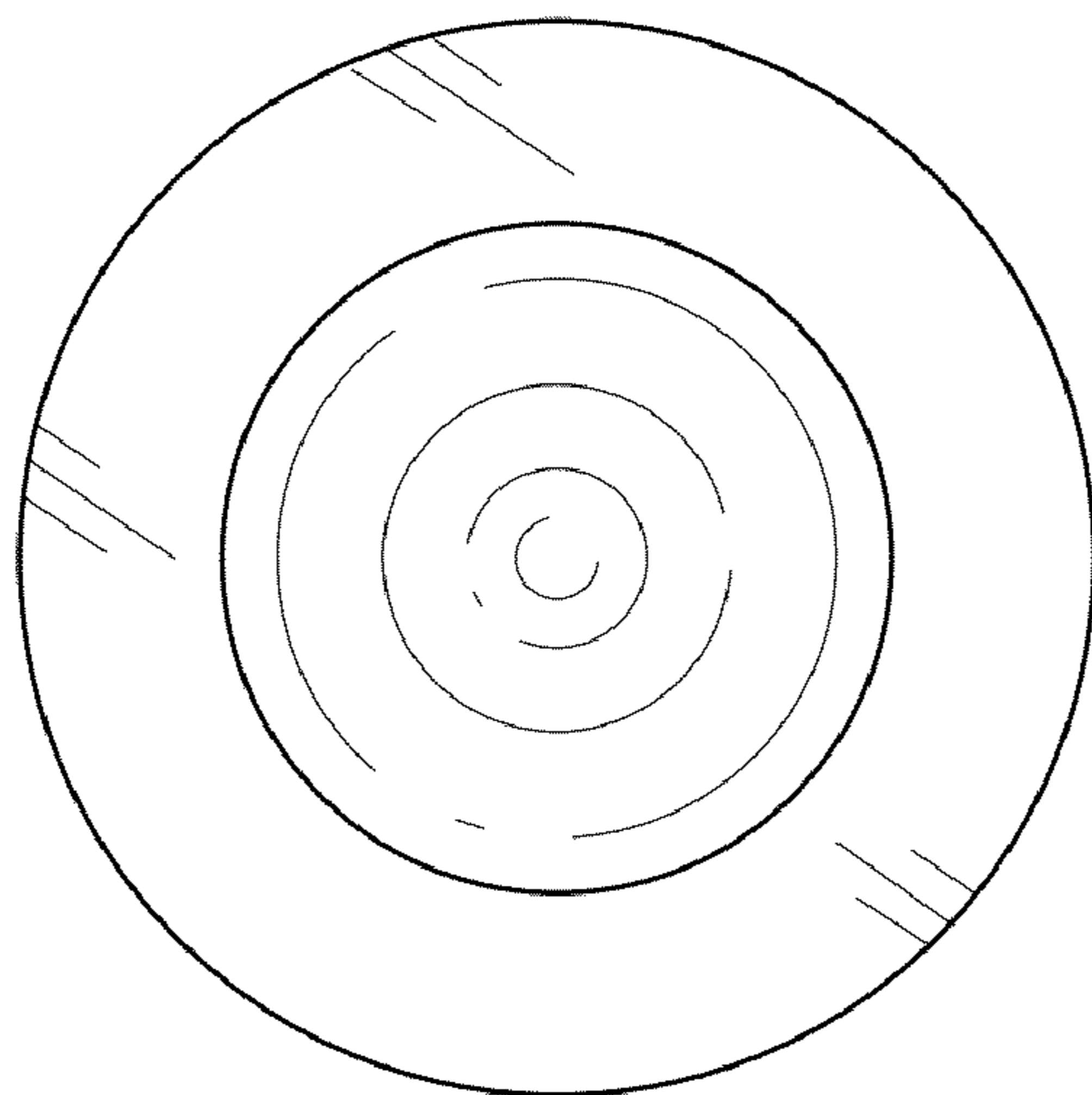


Fig. 5