



US00D679322S

(12) **United States Design Patent**
Martin

(10) **Patent No.:** **US D679,322 S**

(45) **Date of Patent:** **** Apr. 2, 2013**

(54) **PEN**

(75) Inventor: **Stephane Martin**, Paris (FR)

(73) Assignee: **S.T. Dupont**, Paris (FR)

(**) Term: **14 Years**

(21) Appl. No.: **29/400,097**

(22) Filed: **Aug. 23, 2011**

(30) **Foreign Application Priority Data**

Apr. 22, 2011 (EM) 1854993-0001
Apr. 22, 2011 (EM) 1854993-0002
Apr. 22, 2011 (EM) 1854993-0003

(51) **LOC (9) Cl.** **19-06**

(52) **U.S. Cl.** **D19/48**

(58) **Field of Classification Search** D14/411;
D19/35, 36, 41-51, 54-58; 24/11 F, 11 P,
24/11 R; 401/52, 99-109, 192, 195, 196
See application file for complete search history.

(56) **References Cited**

U.S. PATENT DOCUMENTS

D111,301 S * 9/1938 Fish et al. D19/56
D251,301 S * 3/1979 Malamoud D19/49
D258,218 S * 2/1981 Oka D19/49
D265,741 S * 8/1982 Funahashi D19/49
D280,737 S * 9/1985 Verhaegue D19/48
D282,672 S * 2/1986 LeBlanc et al. D19/49
D323,529 S * 1/1992 Rousseau D19/51
D339,162 S * 9/1993 Verhaegue D19/51
D383,494 S * 9/1997 Polenber D19/48
D391,606 S * 3/1998 Compte D19/51

(Continued)

Primary Examiner — Elizabeth Albert

(74) *Attorney, Agent, or Firm* — Young & Thompson

(57) **CLAIM**

The ornamental design for a pen, as shown and described.

DESCRIPTION

FIG. 1 is a front, right side and top perspective view of a pen showing my new design;

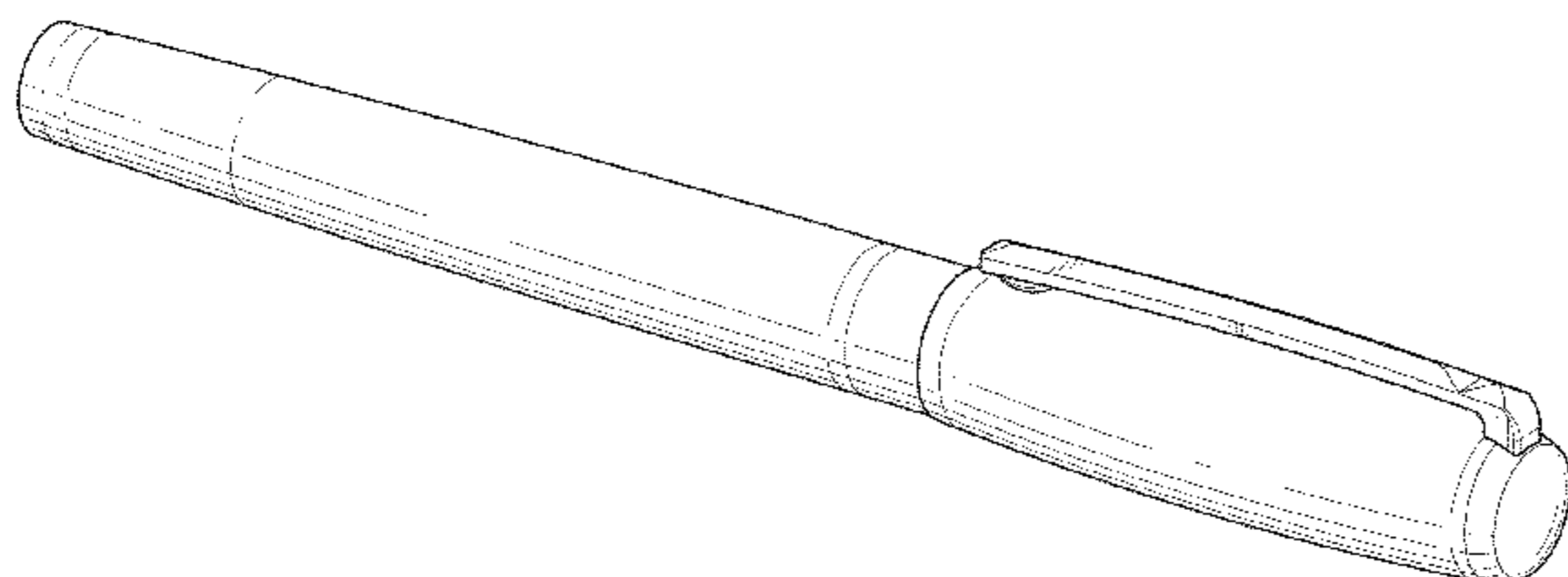


FIG. 2 is a front elevation view thereof;

FIG. 3 is a rear elevation view thereof;

FIG. 4 is a left side elevation view thereof;

FIG. 5 is a top plan view thereof;

FIG. 6 is a right side elevation view thereof;

FIG. 7 is a front, right side, and top perspective view of an alternate configuration thereof wherein the cap for the pen is placed on the rear of the pen instead of the front as shown in FIGS. 1-6;

FIG. 8 is a front elevation view thereof;

FIG. 9 is a rear elevation view thereof;

FIG. 10 is a top plan view thereof;

FIG. 11 is right side elevation view thereof;

FIG. 12 is a bottom plan view thereof;

FIG. 13 is a front, right side, and top perspective view of an alternate embodiment of the pen shown in FIGS. 1-12, shown in the configuration shown in FIGS. 8-12, wherein the cap is placed on the rear of the pen instead of the front;

FIG. 14 is a front elevation view thereof;

FIG. 15 is a rear elevation view thereof;

FIG. 16 is a top plan view thereof;

FIG. 17 is right side elevation view thereof;

FIG. 18 is a bottom plan view thereof;

FIG. 19 is a front, right side, and top perspective view of a second alternate embodiment of the pen shown in FIGS. 1-12, shown in the configuration shown in FIGS. 8-18, wherein the cap is placed on the rear of the pen instead of the front;

FIG. 20 is a front elevation view thereof;

FIG. 21 is a rear elevation view thereof;

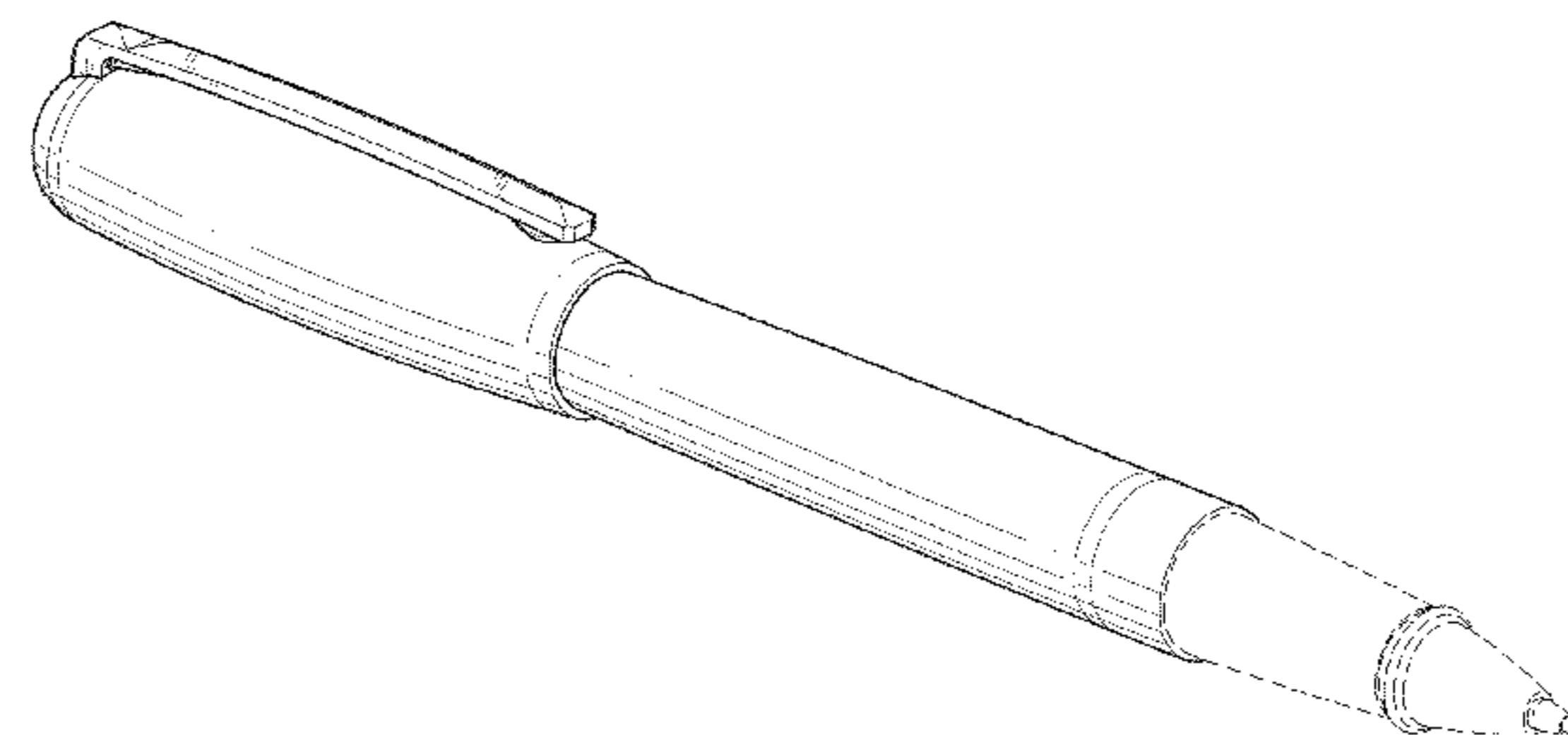
FIG. 22 is a left side elevation view thereof;

FIG. 23 is a top plan view thereof; and,

FIG. 24 is a right side elevation view thereof.

The broken line showing is for environmental purposes only and forms no part of the claimed design.

1 Claim, 12 Drawing Sheets



US D679,322 S

Page 2

U.S. PATENT DOCUMENTS

D392,316 S *	3/1998	Verhaeghe	D19/49	D605,698 S *	12/2009	Zhang	D19/48
D398,934 S *	9/1998	Veillon	D19/51	D608,828 S *	1/2010	Avenatti	D19/51
D459,393 S *	6/2002	Verhaeghe	D19/43	D610,617 S *	2/2010	Zhang	D19/50
D536,734 S *	2/2007	Bodino	D19/57	D622,768 S *	8/2010	Tissier	D19/46
D548,280 S *	8/2007	Shimizu	D19/48	D628,629 S *	12/2010	Liu	D19/36
D568,932 S *	5/2008	Qiu et al.	D19/43	D645,083 S *	9/2011	Stukenkemper	D19/48
D603,452 S *	11/2009	Rolion et al.	D19/50	D652,079 S *	1/2012	Tissier	D19/46
D603,453 S *	11/2009	Rolion et al.	D19/50	D655,340 S *	3/2012	Liu	D19/51

* cited by examiner

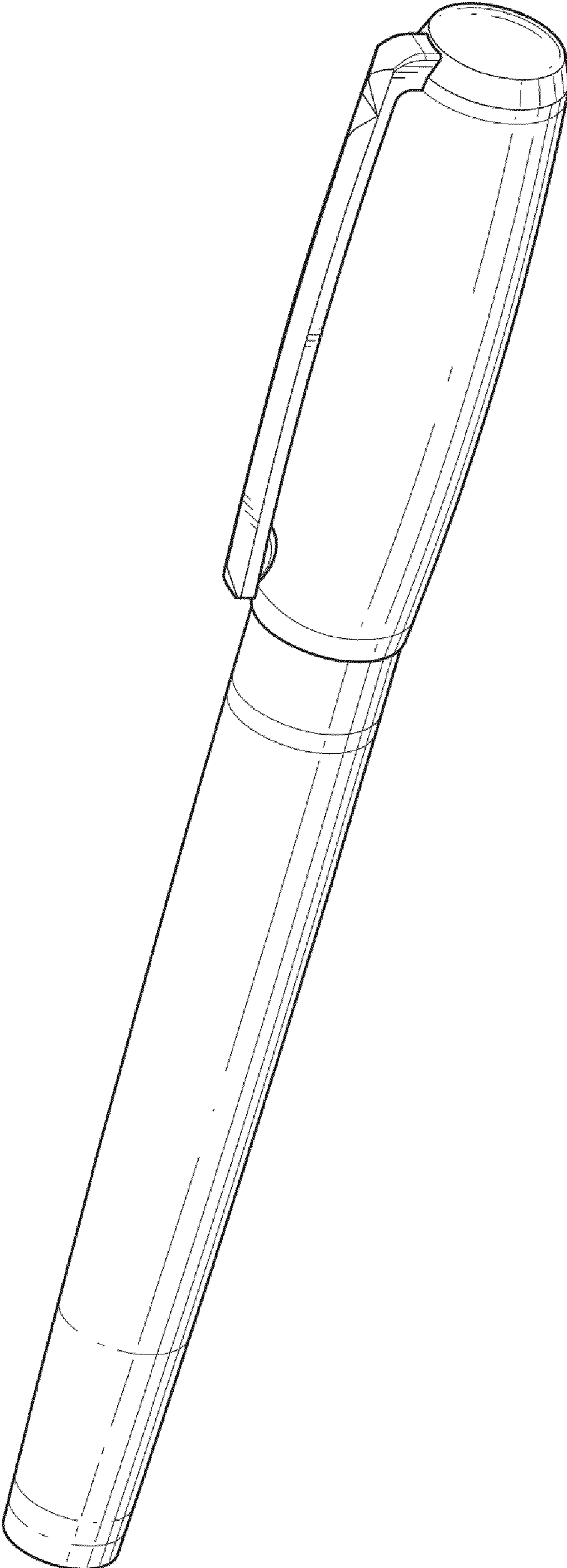


FIG. 1

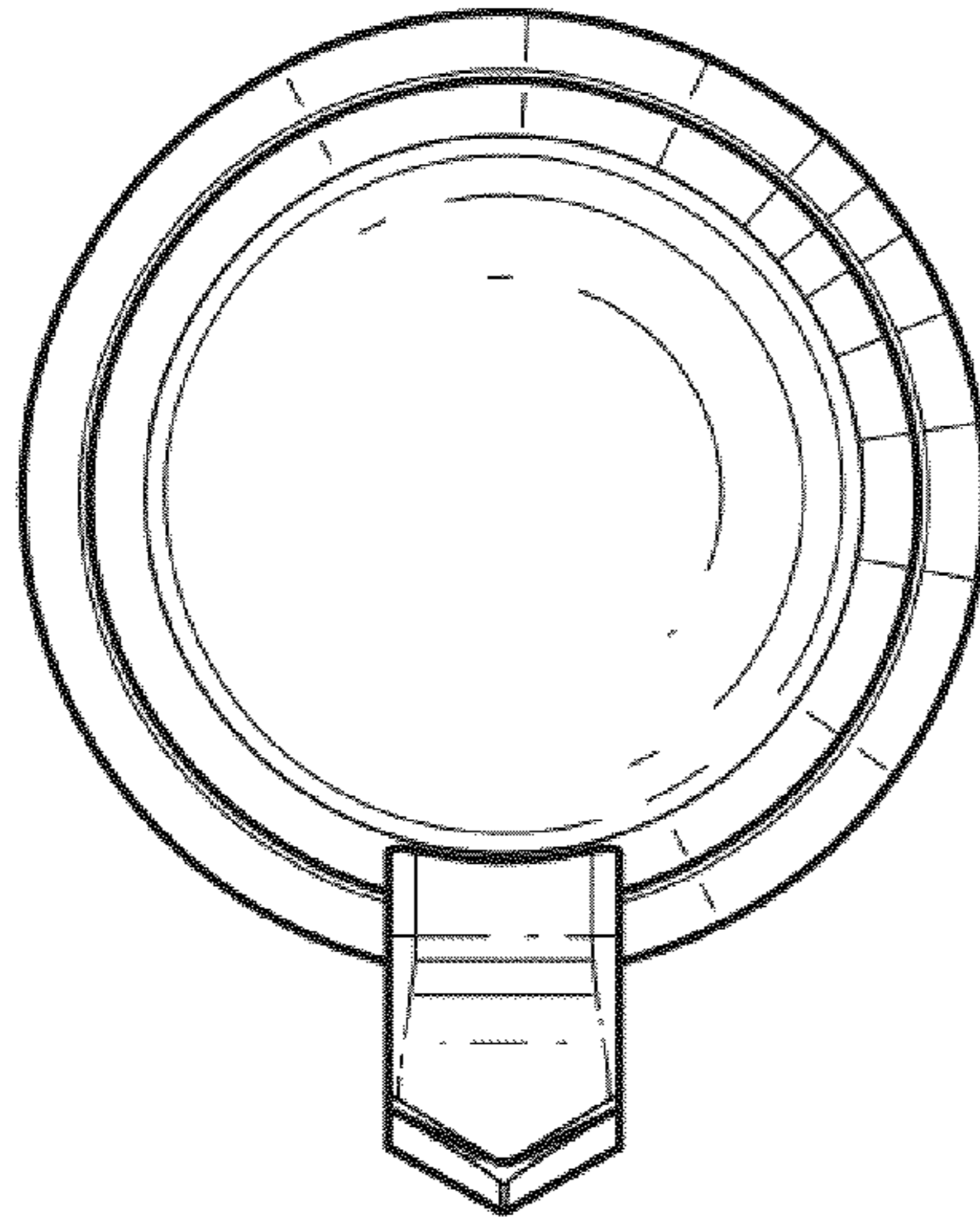


FIG. 3

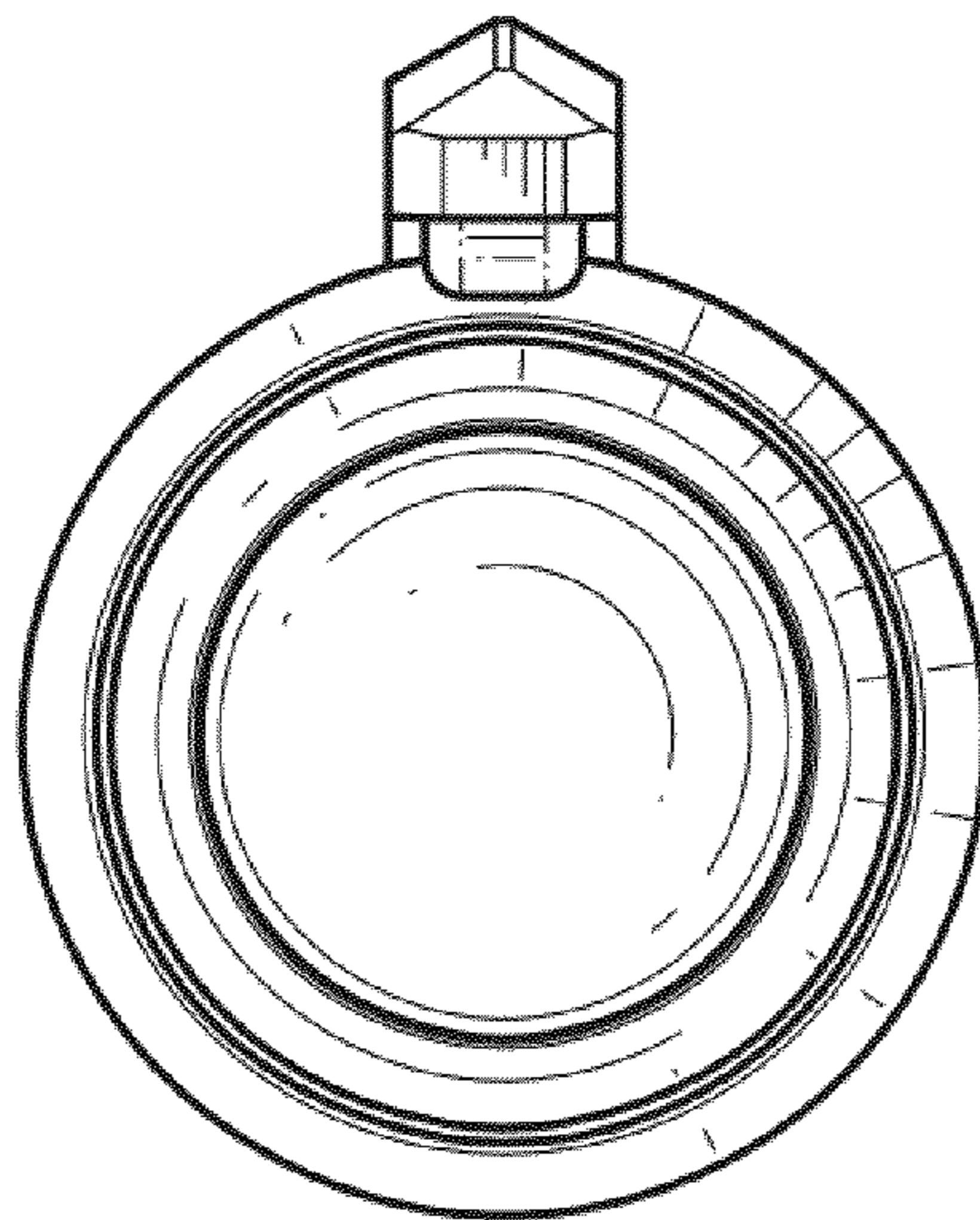


FIG. 2

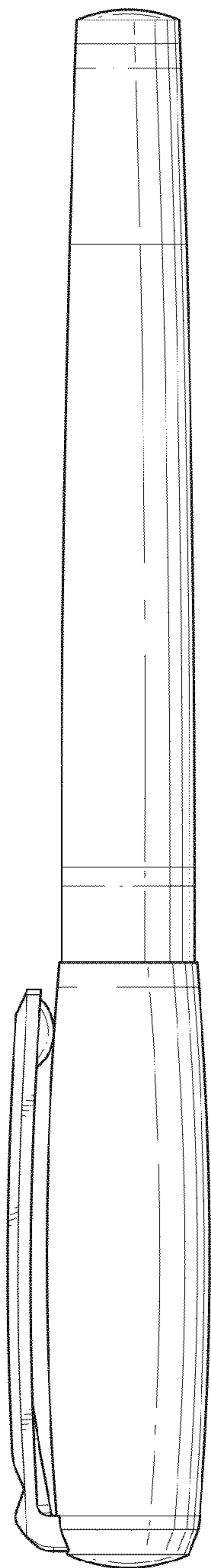


FIG. 4

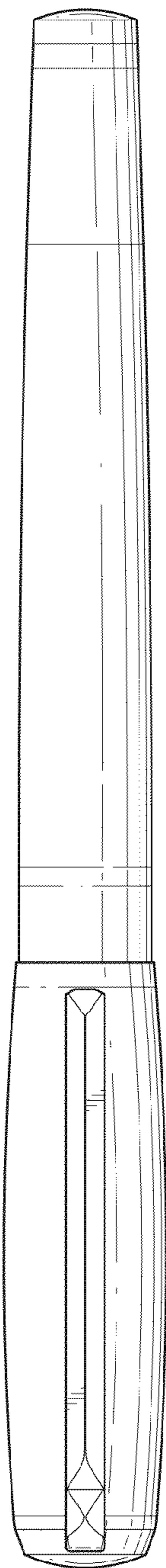


FIG. 5

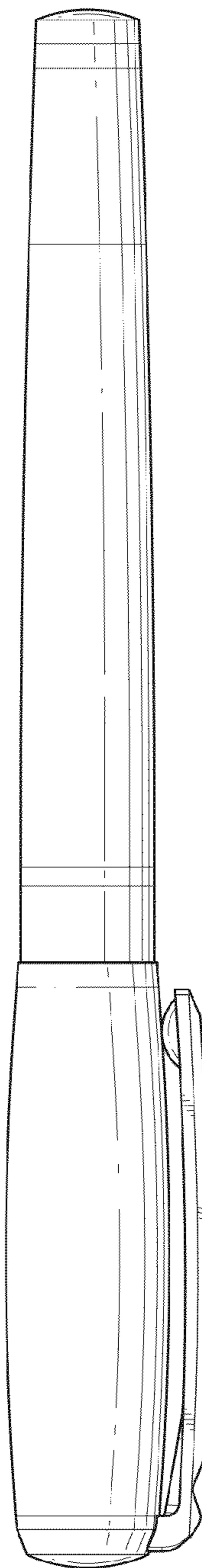


FIG. 6

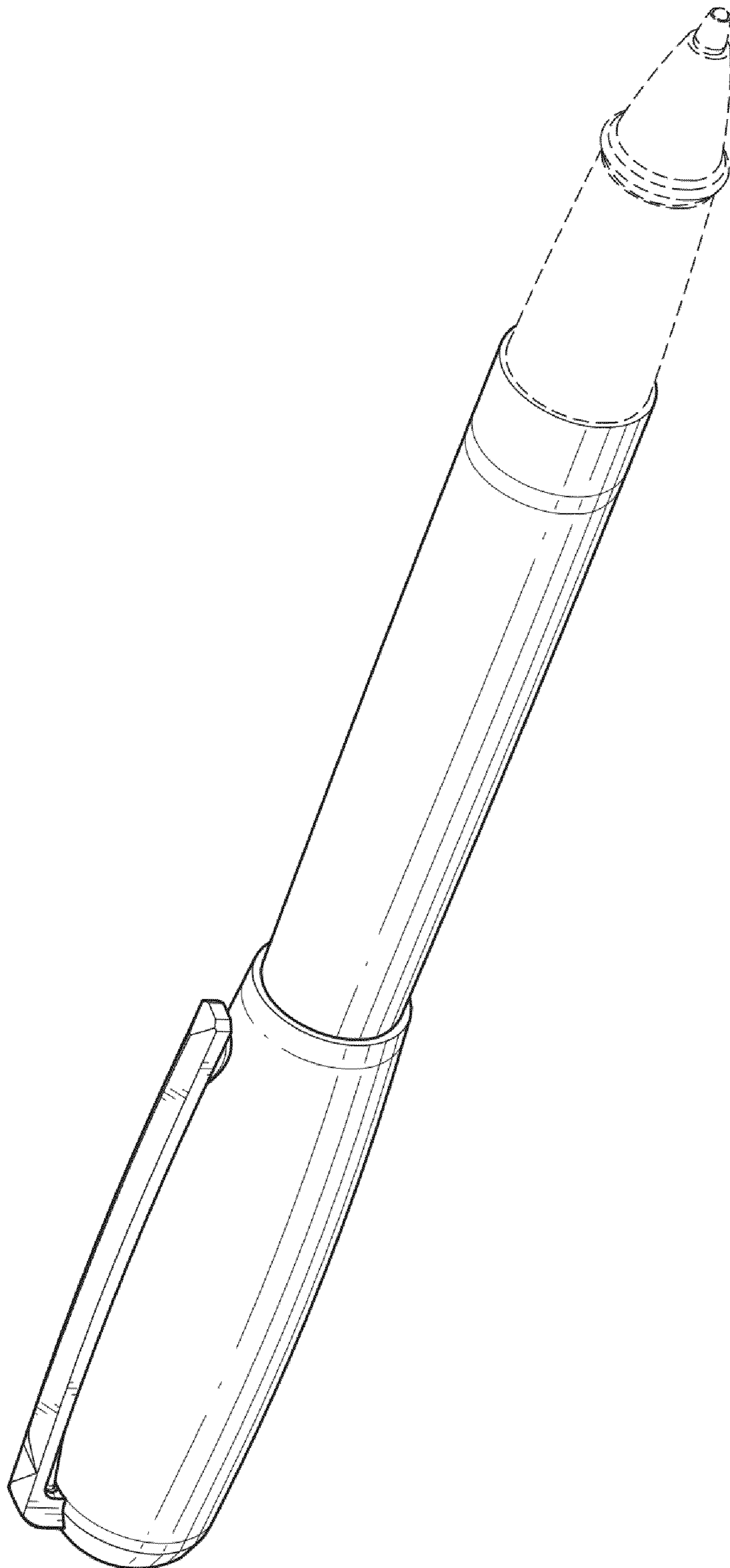


FIG. 7

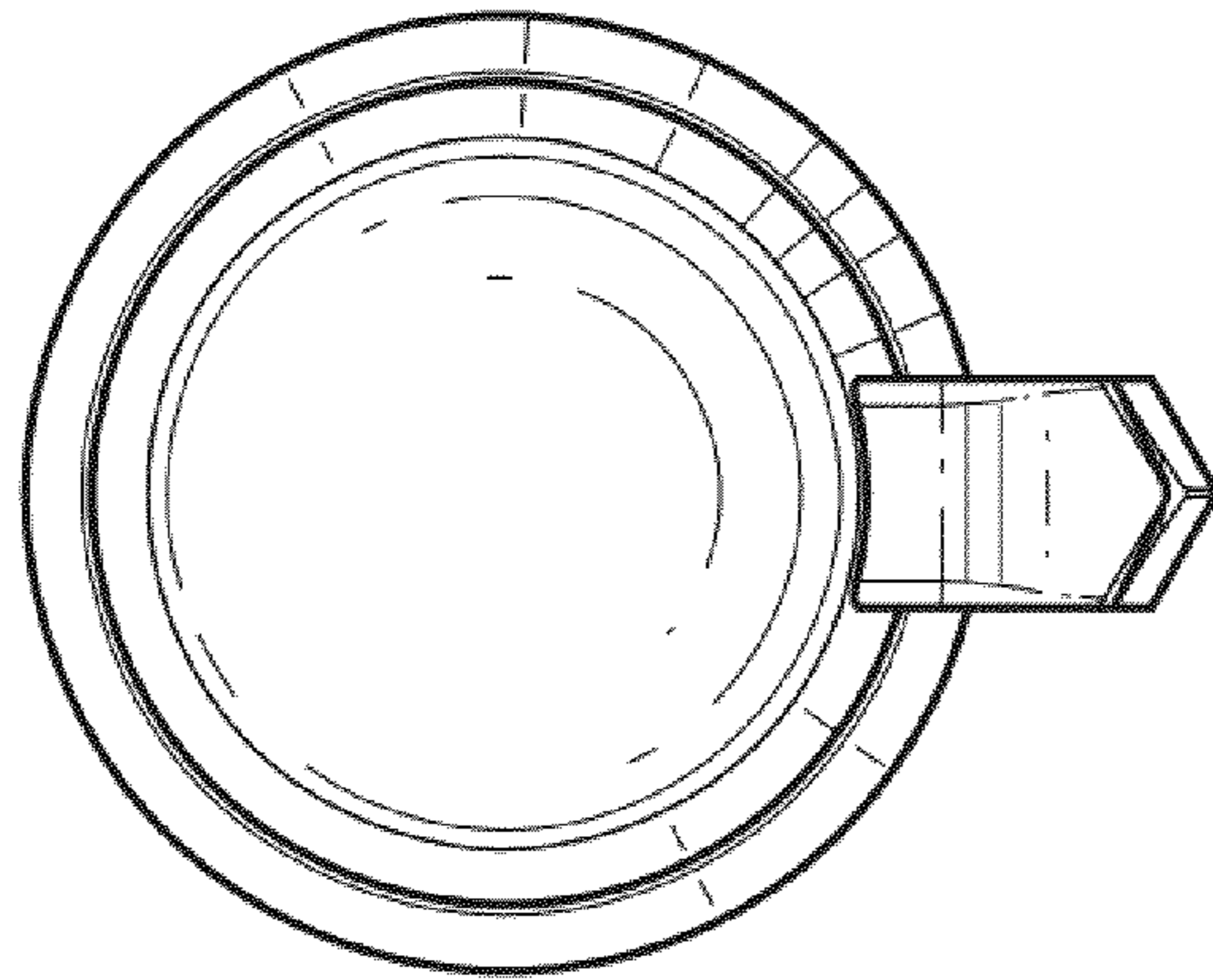


FIG. 9

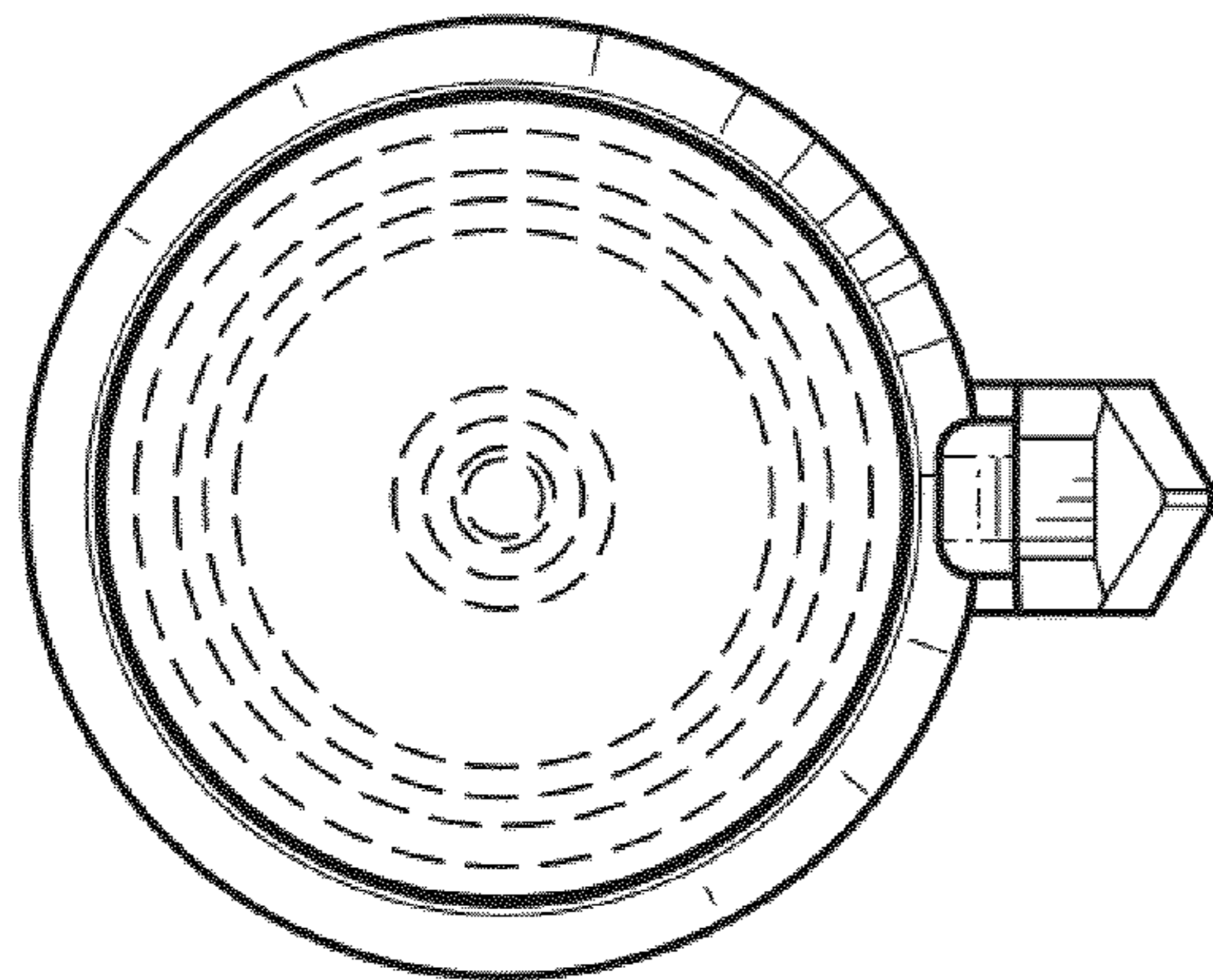


FIG. 8

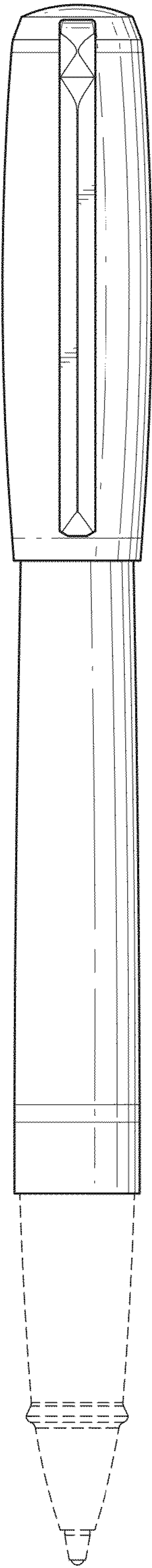


FIG. 10

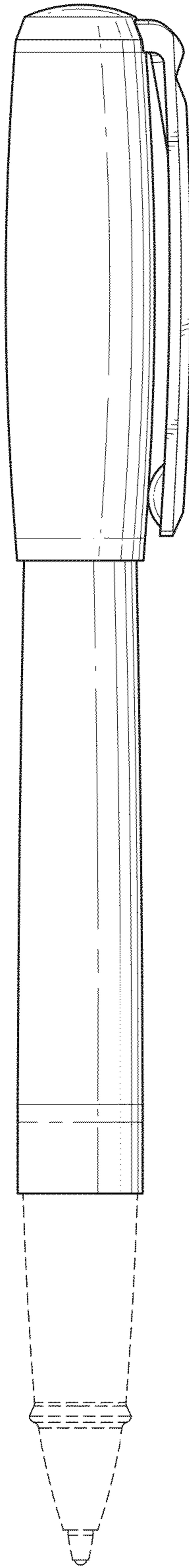


FIG. 11

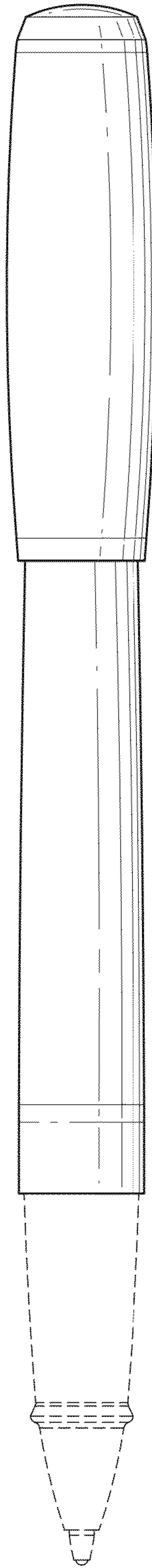


FIG. 12

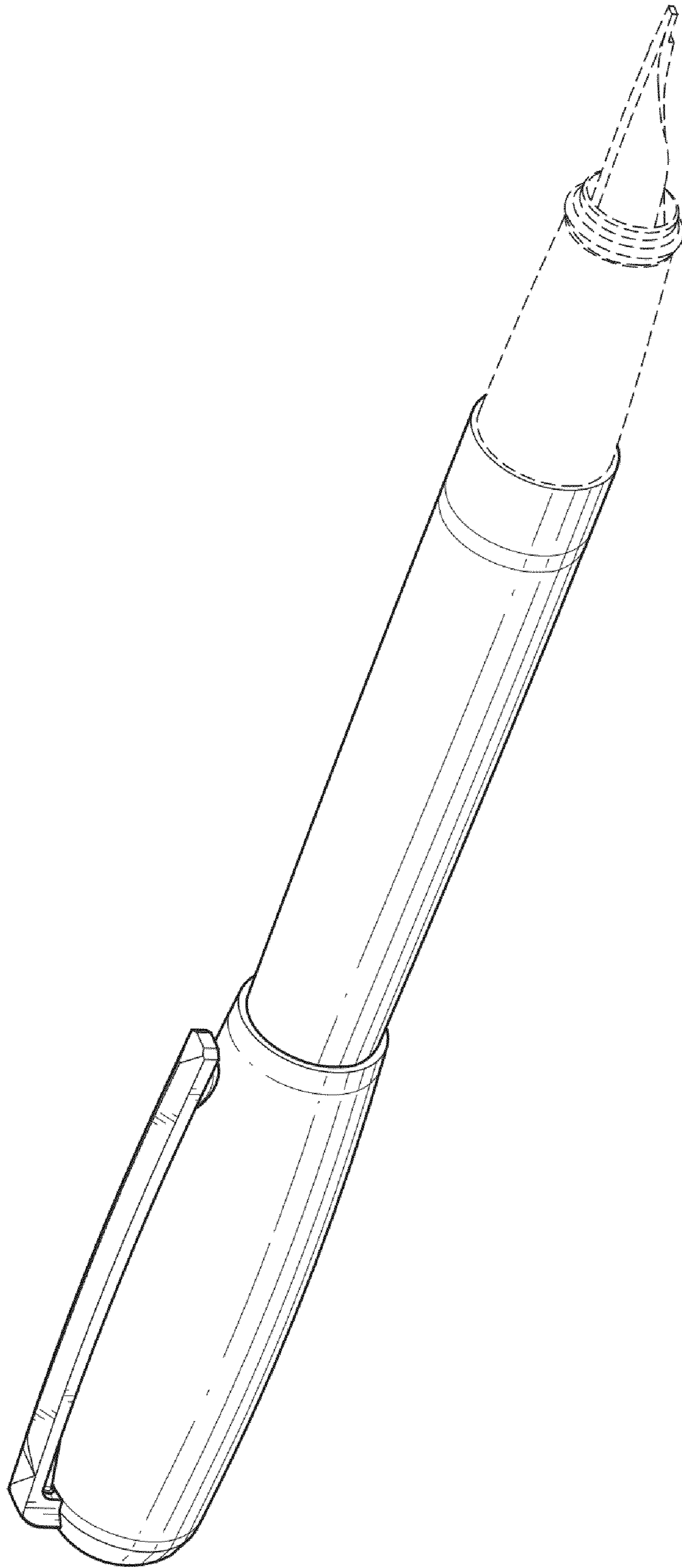


FIG. 13

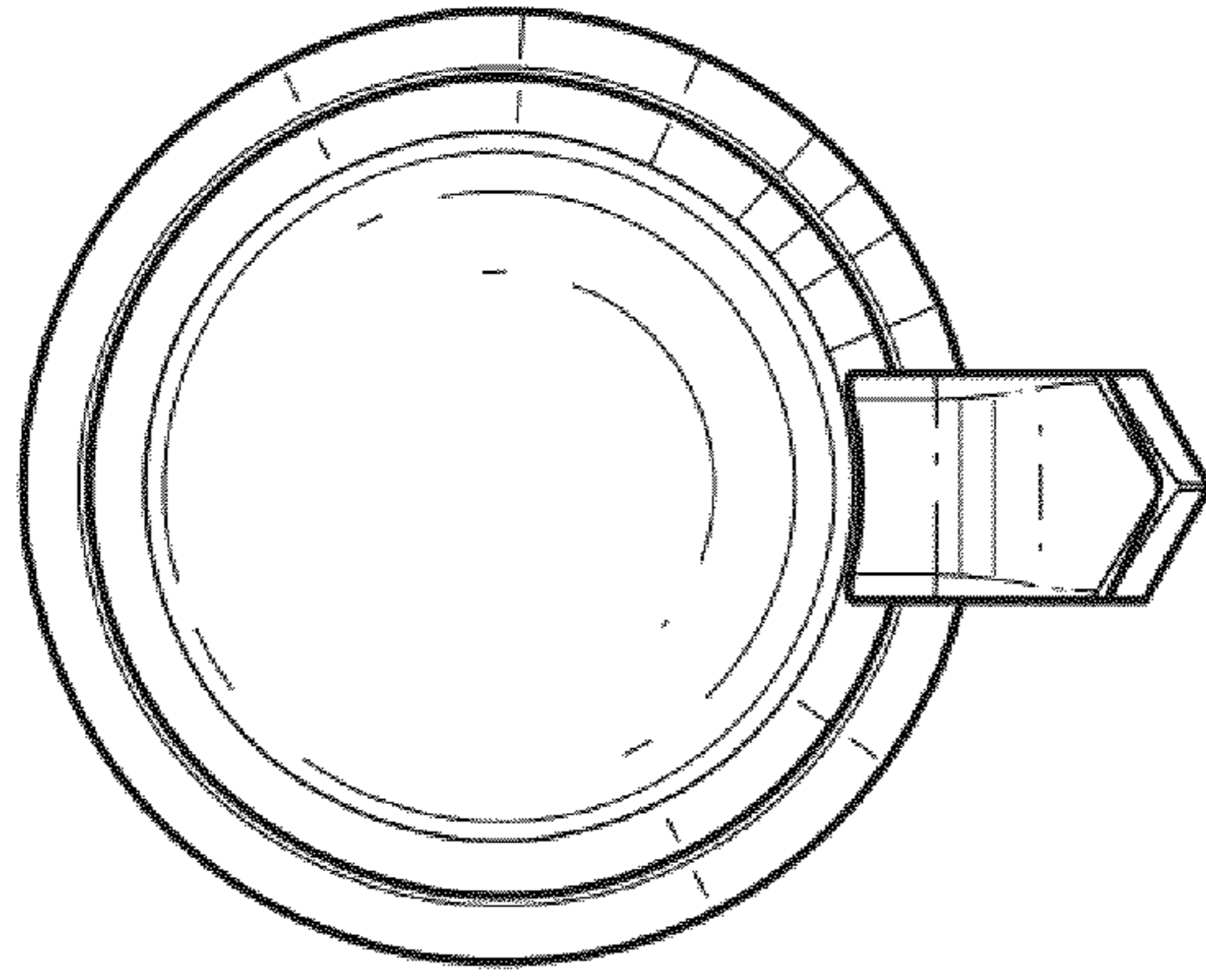


FIG. 15

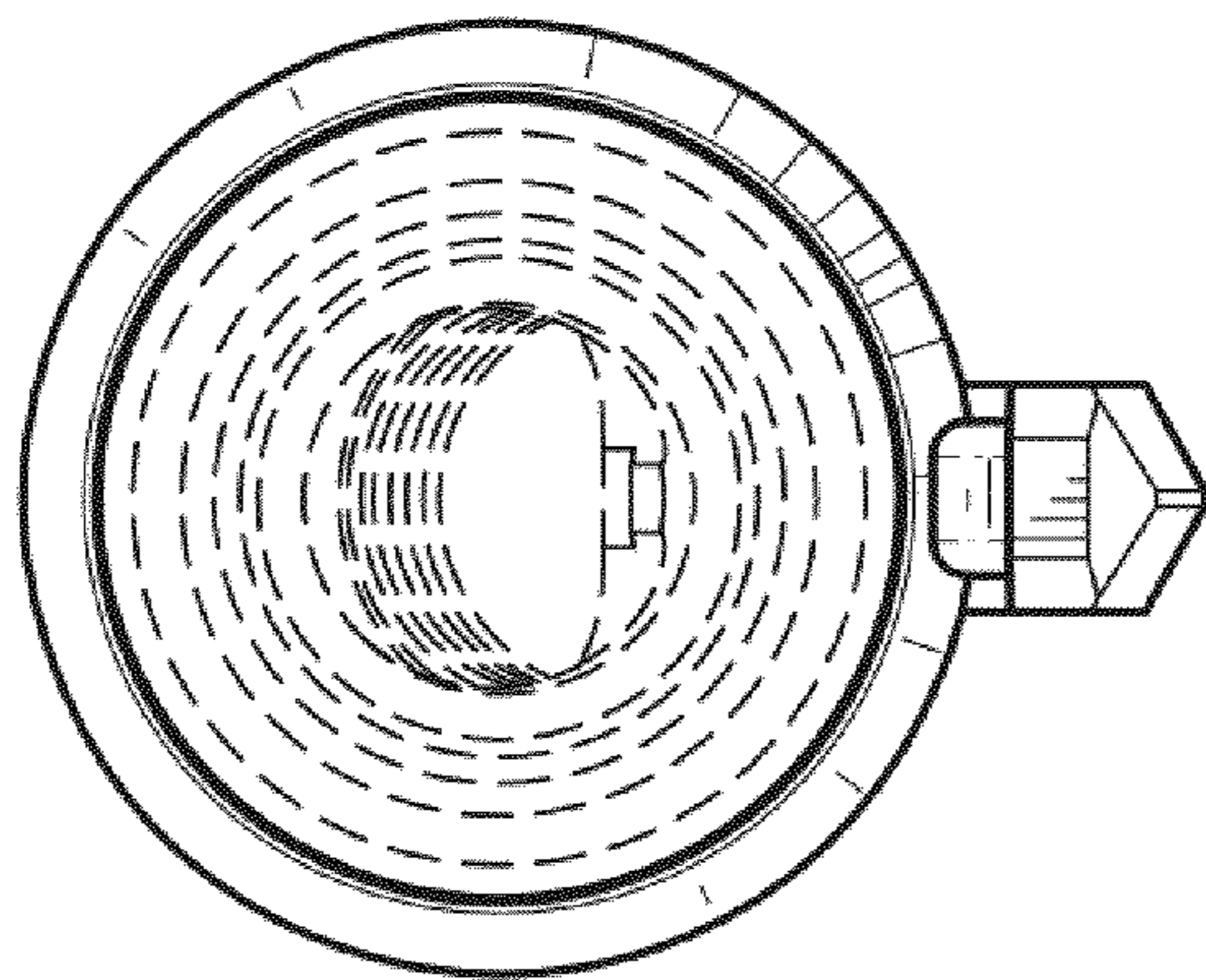


FIG. 14

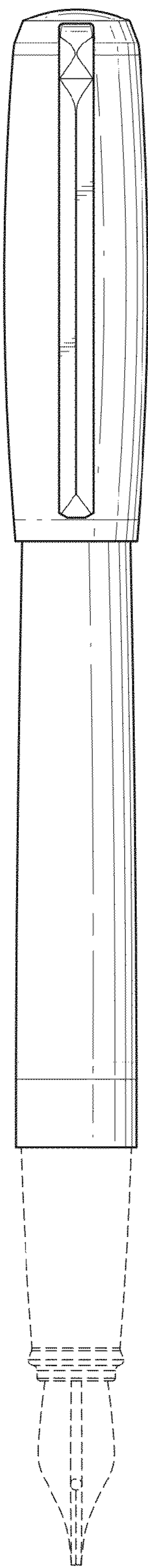


FIG. 16

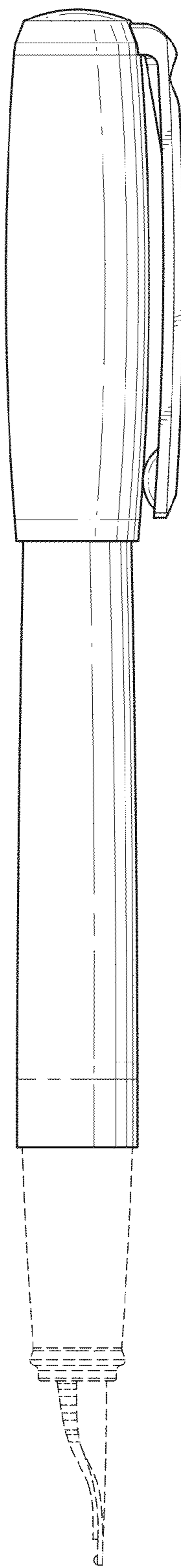


FIG. 17

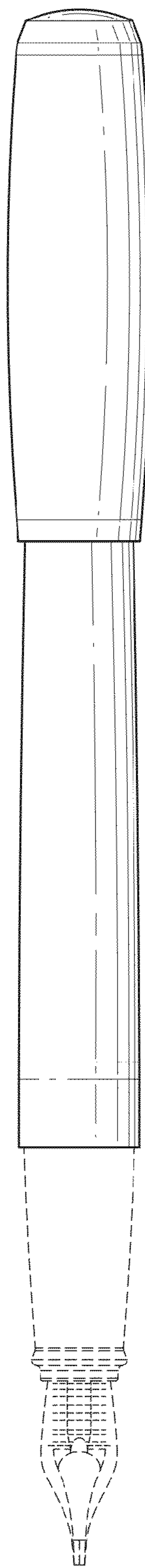


FIG. 18

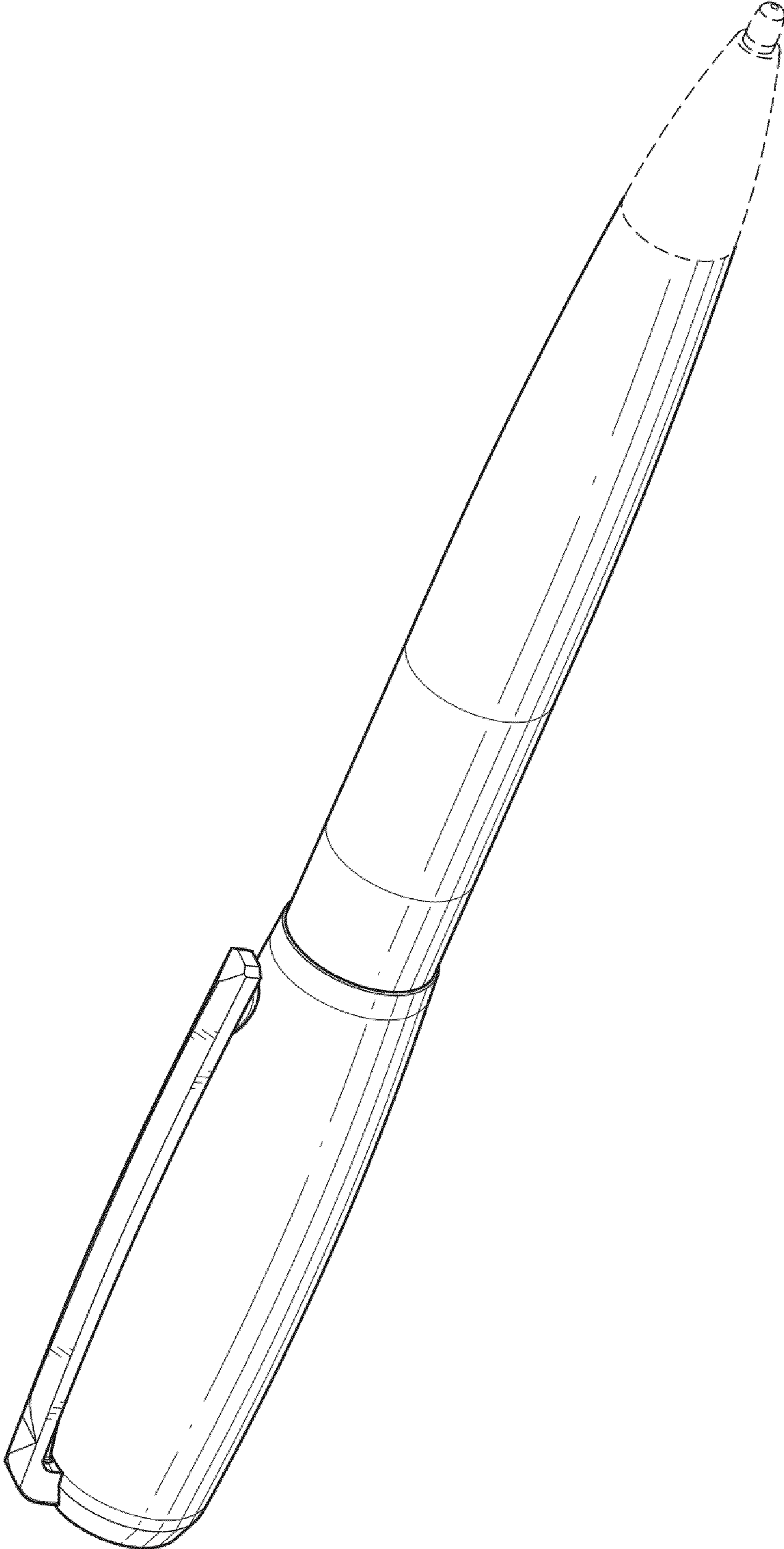


FIG. 19

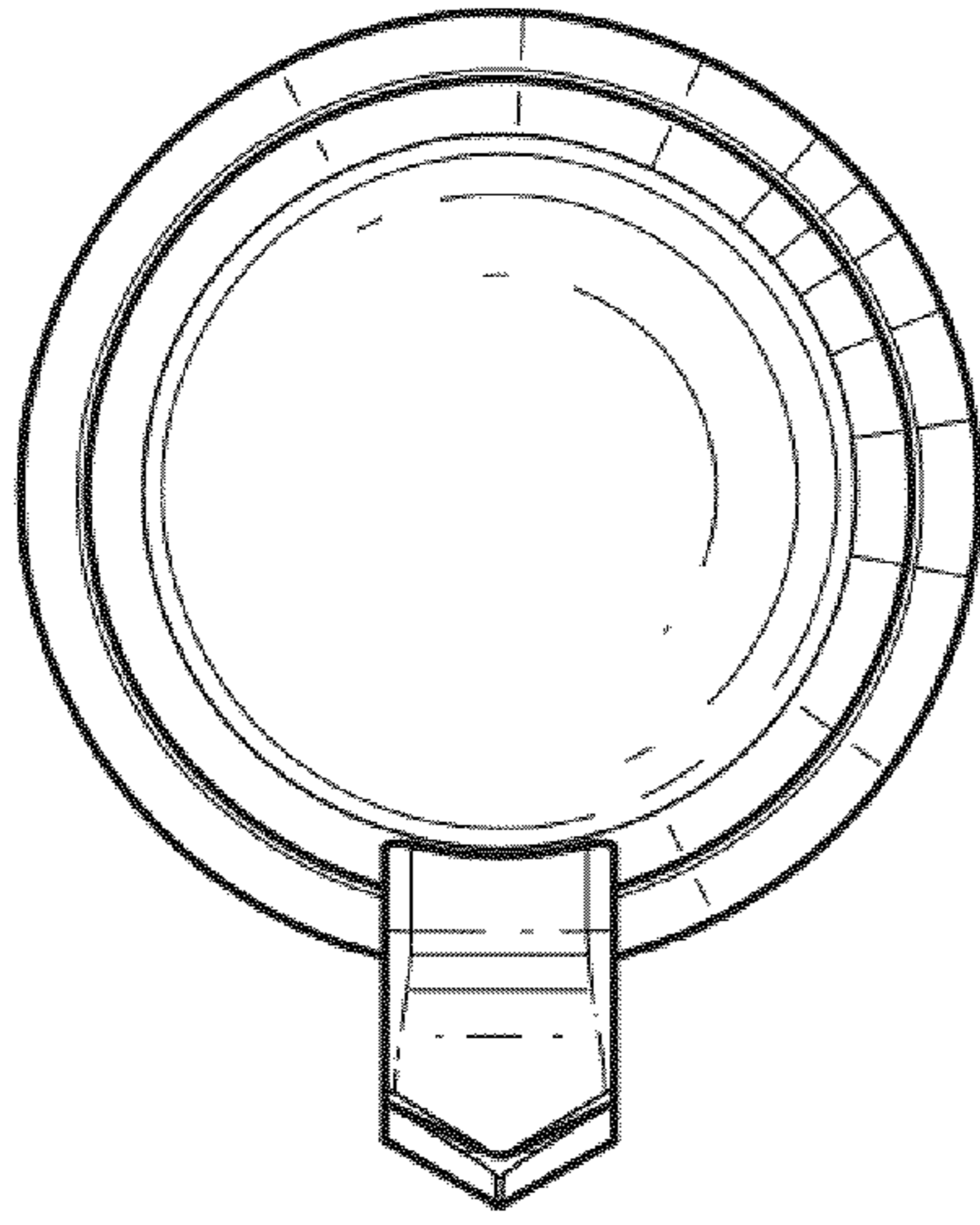


FIG. 21

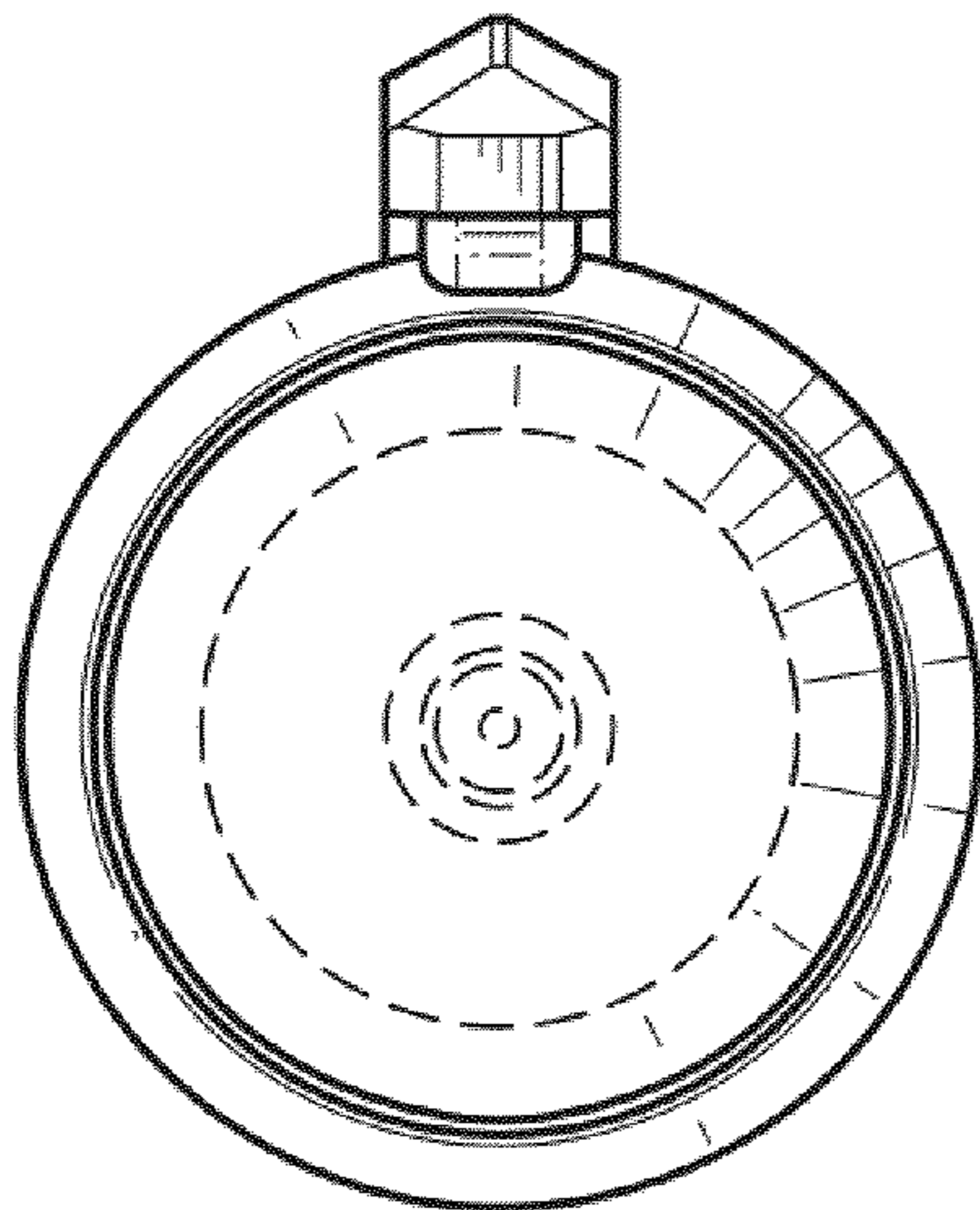


FIG. 20

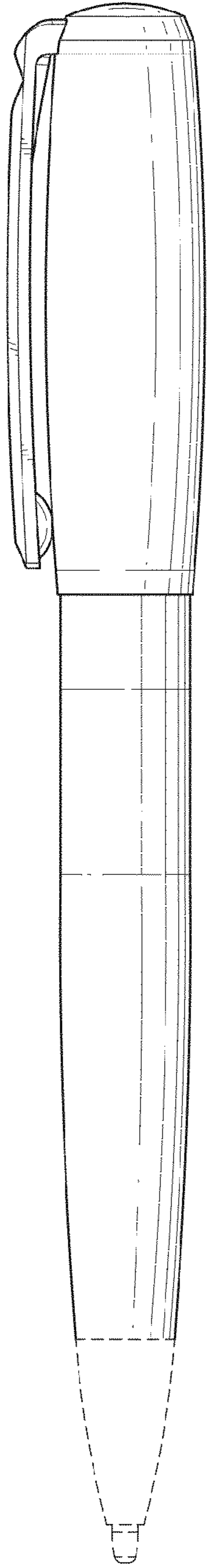


FIG. 22

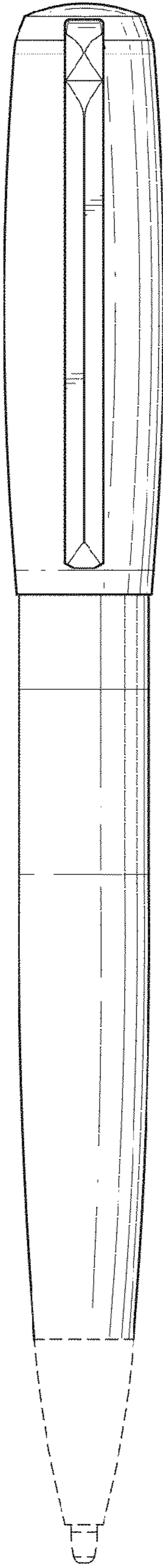


FIG. 23

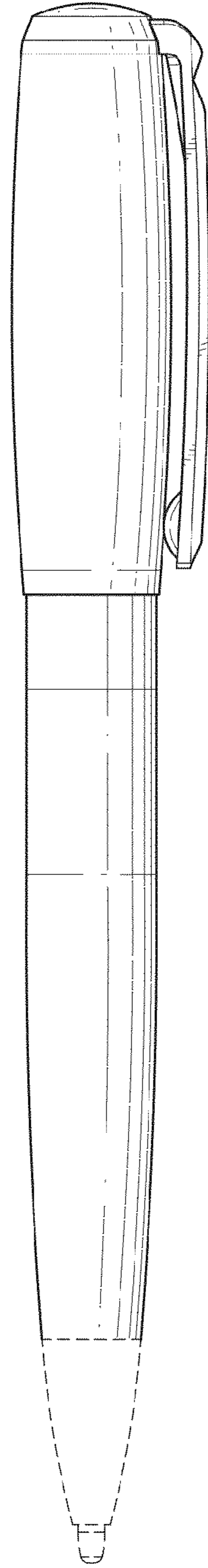


FIG. 24