



US00D679319S

(12) **United States Design Patent**  
**Romanovich**

(10) **Patent No.:** **US D679,319 S**

(45) **Date of Patent:** **\*\* Apr. 2, 2013**

(54) **SHREDDER**

(75) Inventor: **Vadim Romanovich**, Glen Ellyn, IL (US)

(73) Assignee: **Fellowes, Inc.**, Itasca, IL (US)

(\*\*) Term: **14 Years**

(21) Appl. No.: **29/383,790**

(22) Filed: **Jan. 21, 2011**

(51) **LOC (9) Cl.** ..... **18-04**

(52) **U.S. Cl.** ..... **D18/34.5**

(58) **Field of Classification Search** ..... D18/34.3,  
D18/34.4, 34.5, 34.6, 34.9; D34/9; 241/100,  
241/236, 30, 36

See application file for complete search history.

(56) **References Cited**

U.S. PATENT DOCUMENTS

D265,909 S \* 8/1982 Hatanaka ..... D18/34.6  
4,700,902 A \* 10/1987 Yeomans ..... 241/100  
5,429,313 A \* 7/1995 Schwelling ..... 241/36

(Continued)

*Primary Examiner* — Bridget L Eland

(74) *Attorney, Agent, or Firm* — Pillsbury Winthrop Shaw Pittman LLP

(57) **CLAIM**

The ornamental design for a shredder, as shown and described.

**DESCRIPTION**

FIG. 1 is a top perspective view of a shredder according to my design;

FIG. 2 is a front view of the shredder;

FIG. 3 is a back view of the shredder;

FIG. 4 is a right side view of the shredder;

FIG. 5 is a left side view of the shredder;

FIG. 6 is a top view of the shredder;

FIG. 7 is a bottom view of the shredder; and

FIG. 8 is a bottom perspective view of the shredder.

In accordance with a second embodiment of the present invention:

FIG. 9 is a top perspective view of a shredder according to my design;

FIG. 10 is a front view of the shredder;

FIG. 11 is a back view of the shredder;

FIG. 12 is a right side view of the shredder;

FIG. 13 is a left side view of the shredder;

FIG. 14 is a top view of the shredder;

FIG. 15 is a bottom view of the shredder; and

FIG. 16 is a bottom perspective view of the shredder.

In accordance with a third embodiment of the present invention:

FIG. 17 is a top perspective view of a shredder according to my design;

FIG. 18 is a front view of the shredder;

FIG. 19 is a back view of the shredder;

FIG. 20 is a right side view of the shredder;

FIG. 21 is a left side view of the shredder;

FIG. 22 is a top view of the shredder;

FIG. 23 is a bottom view of the shredder; and

FIG. 24 is a bottom perspective view of the shredder.

In accordance with a fourth embodiment of the present invention:

FIG. 25 is a top perspective view of a shredder according to my design;

FIG. 26 is a front view of the shredder;

FIG. 27 is a back view of the shredder;

FIG. 28 is a right side view of the shredder;

FIG. 29 is a left side view of the shredder;

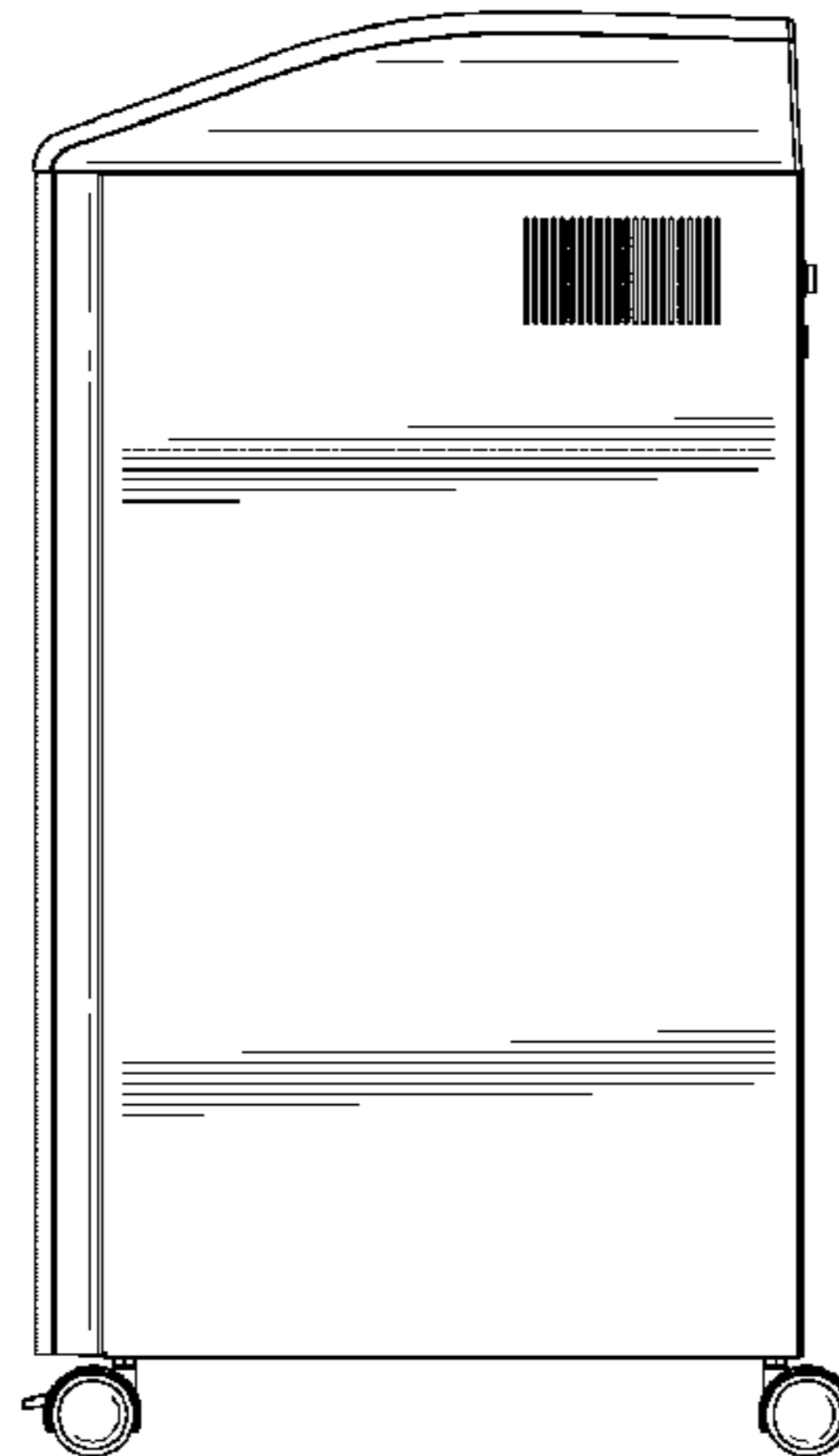
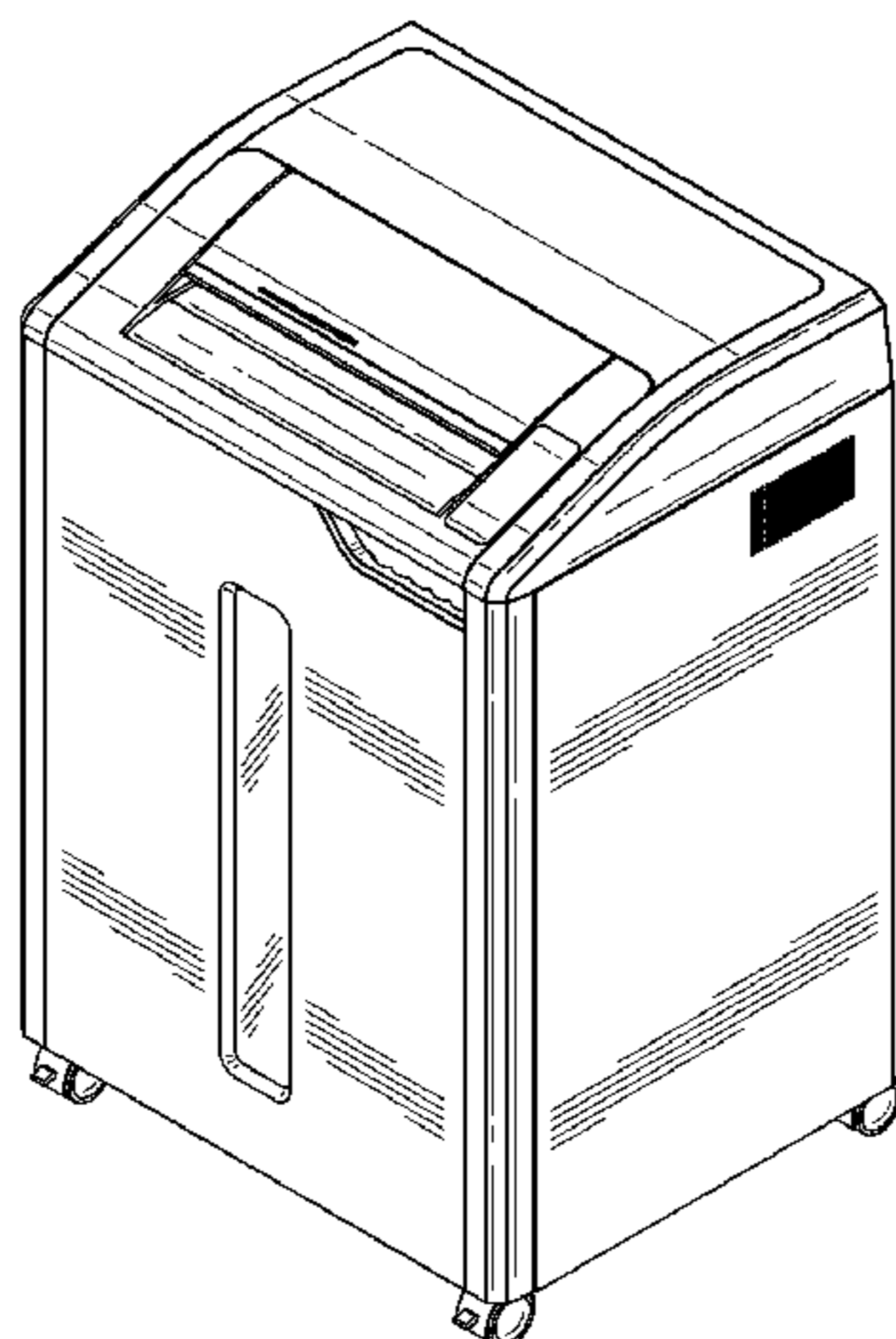
FIG. 30 is a top view of the shredder;

FIG. 31 is a bottom view of the shredder; and,

FIG. 32 is a bottom perspective view of the shredder.

The broken lines immediately adjacent the shaded areas represent the bounds of the embodiment in which they are shown while all other broken lines are directed to environment and are for illustrative purposes only; the broken lines form no part of the embodiment in which they are shown.

**1 Claim, 32 Drawing Sheets**



# US D679,319 S

Page 2

---

## U.S. PATENT DOCUMENTS

D477,016 S *	7/2003	Lee .....	D18/34.6	D604,763 S	11/2009	Holderfield et al.	
D502,961 S *	3/2005	Lo .....	D18/34.6	D607,043 S	12/2009	Kim et al.	
D532,444 S *	11/2006	Kao et al. ....	D18/34.4	D615,122 S *	5/2010	Graves .....	D18/34.5
D556,250 S *	11/2007	Kent et al. ....	D18/34.6	D616,923 S	6/2010	Kim et al.	
D557,735 S *	12/2007	Ho et al. ....	D18/34.6	D616,924 S	6/2010	Kim et al.	
D583,859 S	12/2008	Holderfield et al.		D616,925 S	6/2010	Kim et al.	
D584,342 S	1/2009	Parratt et al.		D616,926 S	6/2010	Holderfield et al.	
D591,335 S	4/2009	Holderfield et al.		D626,992 S	11/2010	Kim et al.	
D598,048 S	8/2009	Holderfield et al.		D643,461 S	8/2011	Kim et al.	
D602,073 S	10/2009	Holderfield et al.		D647,129 S	10/2011	Kim et al.	
D602,074 S	10/2009	Holderfield et al.		2005/0072869 A1 *	4/2005	Ting .....	241/100
D602,517 S	10/2009	Parratt et al.					
D602,518 S	10/2009	Holderfield et al.					
D604,762 S	11/2009	Parratt et al.					

\* cited by examiner

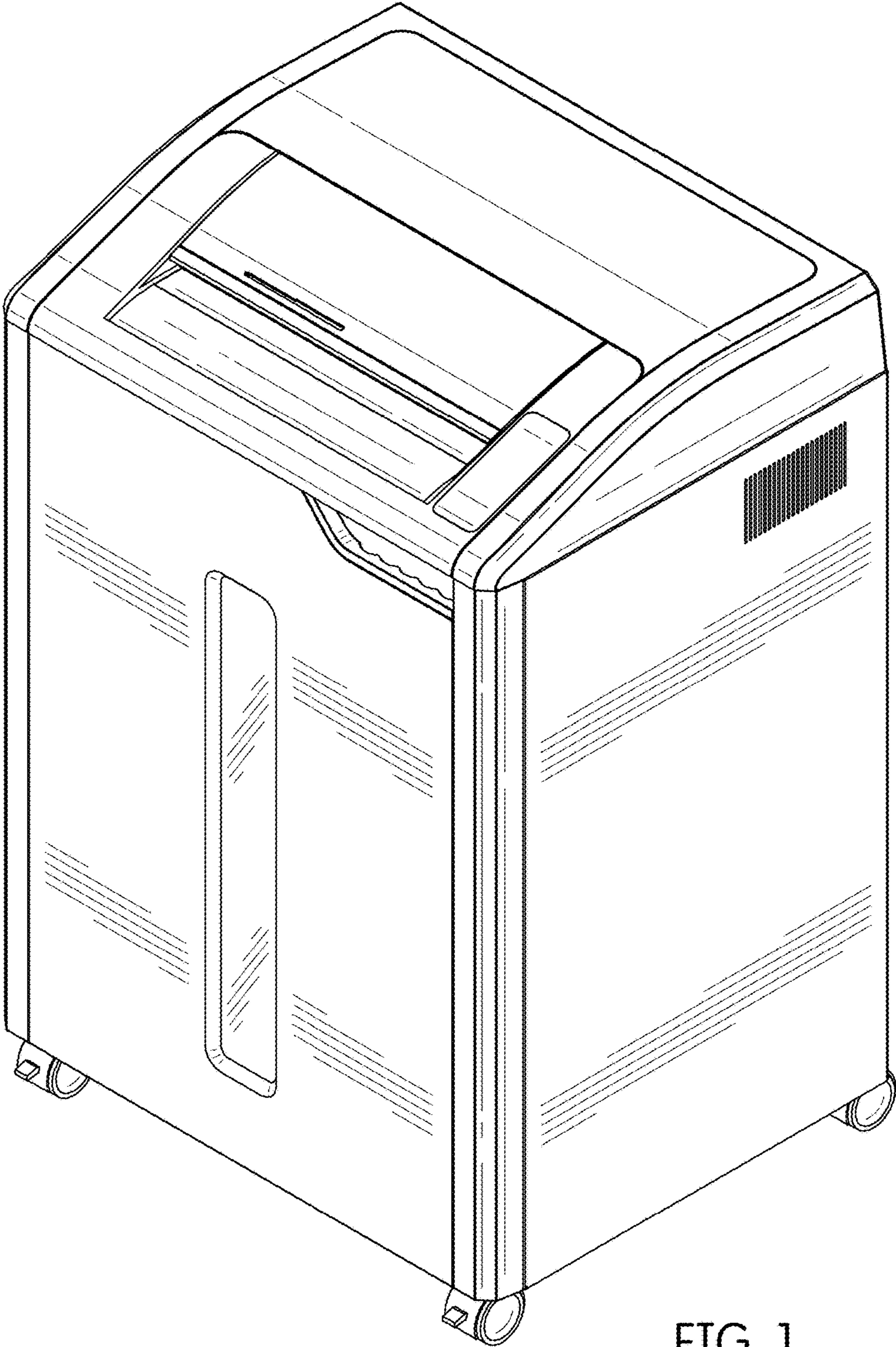


FIG. 1

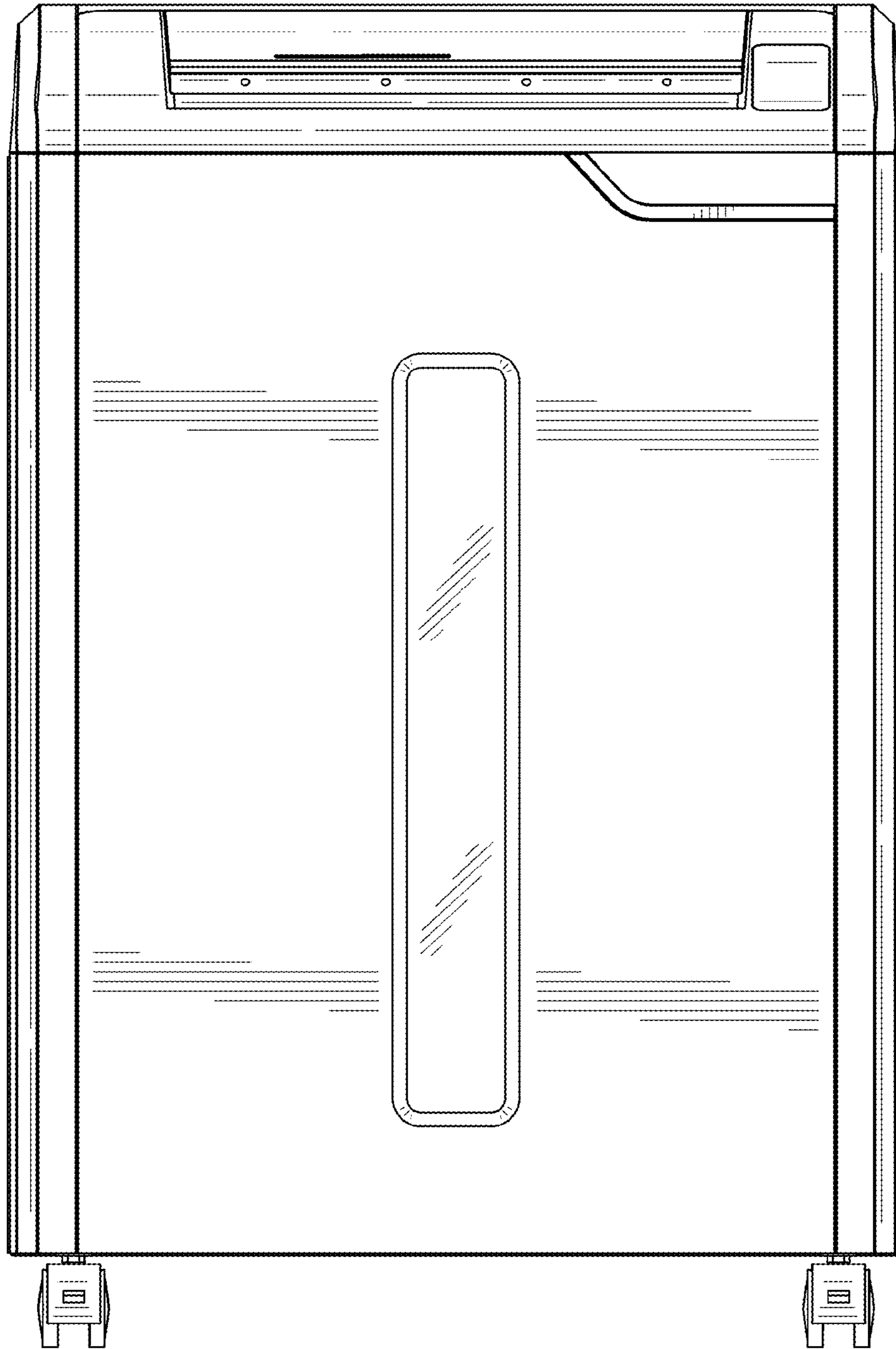


FIG. 2

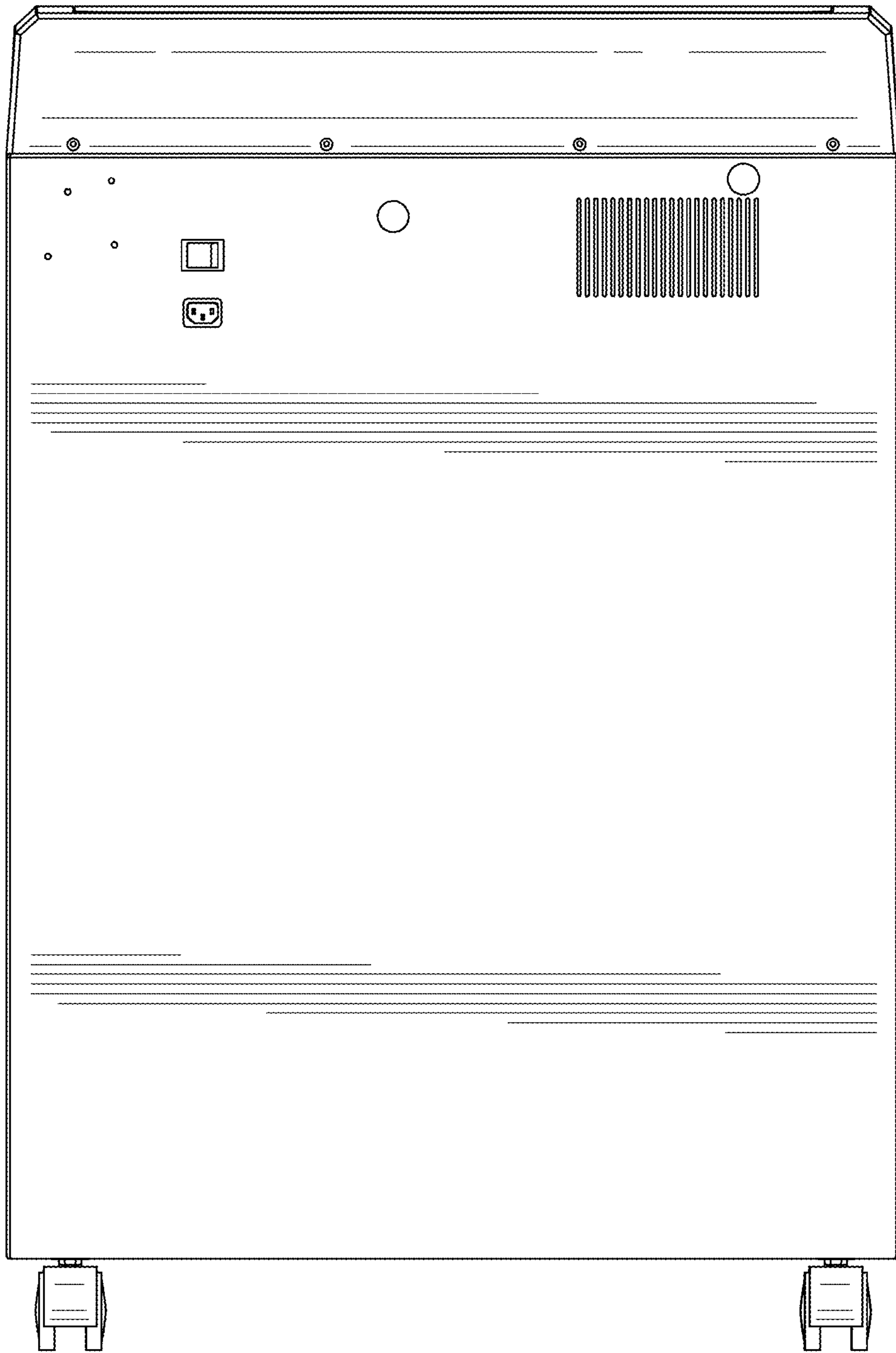


FIG. 3

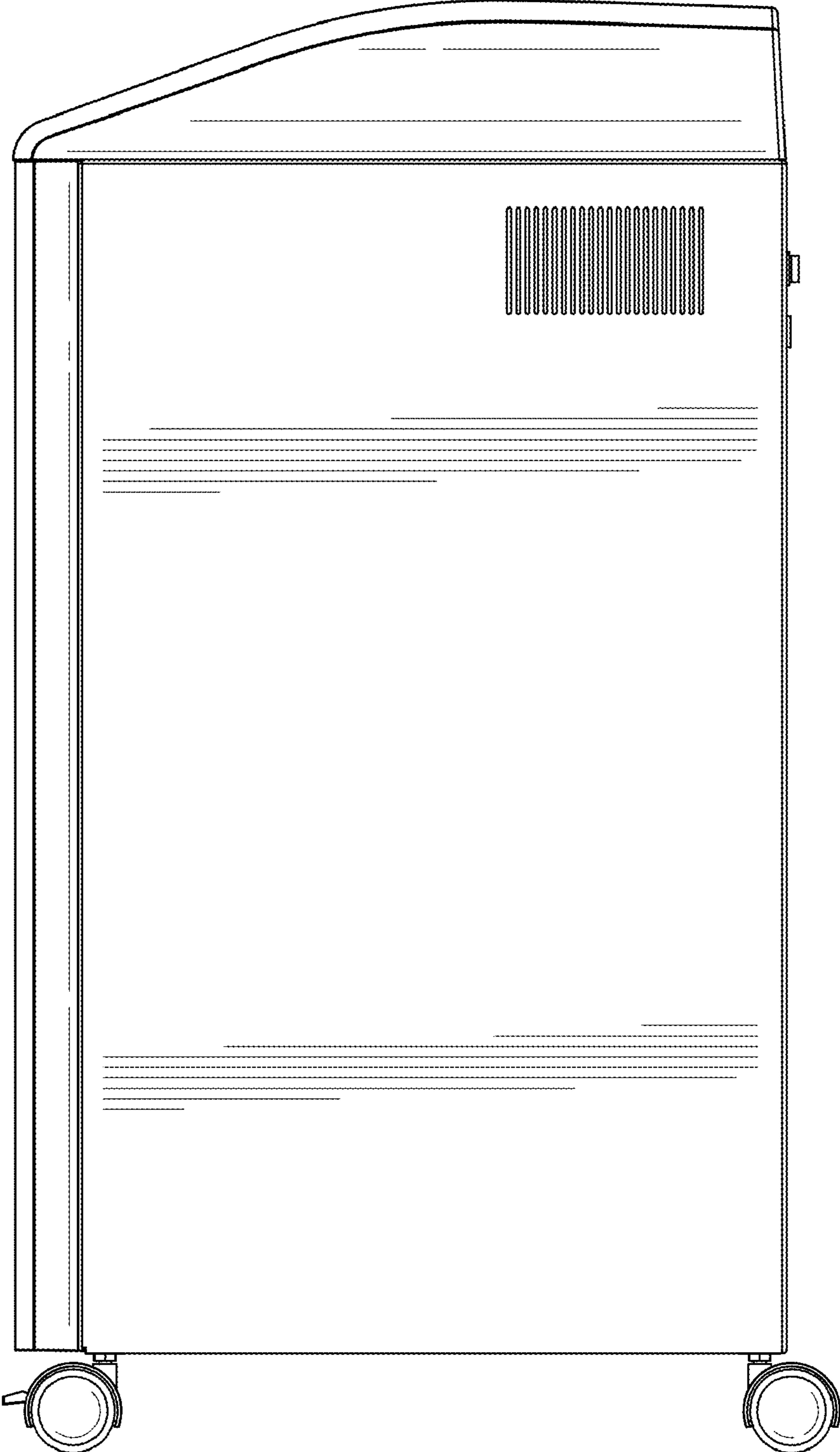


FIG. 4

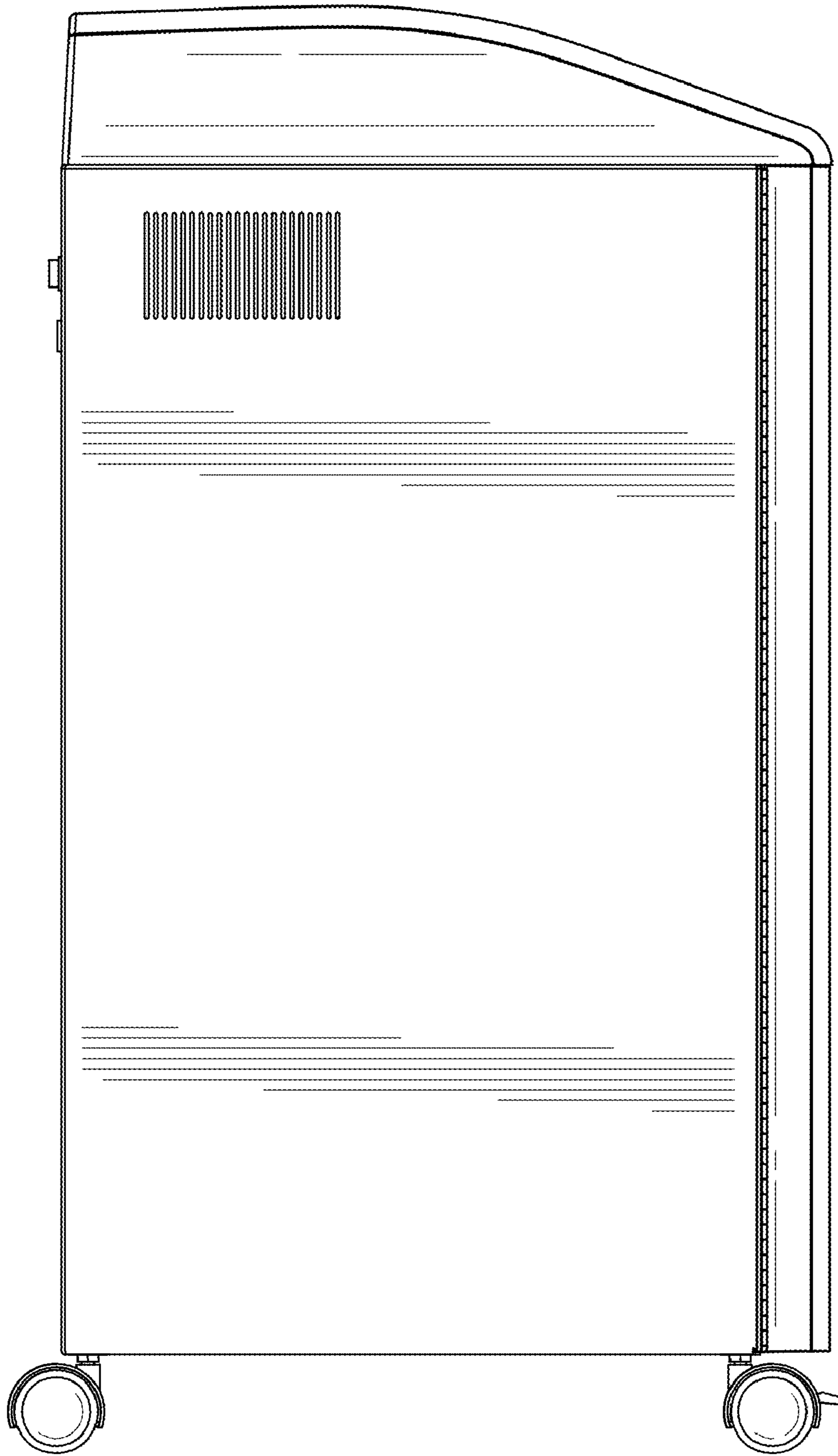


FIG. 5

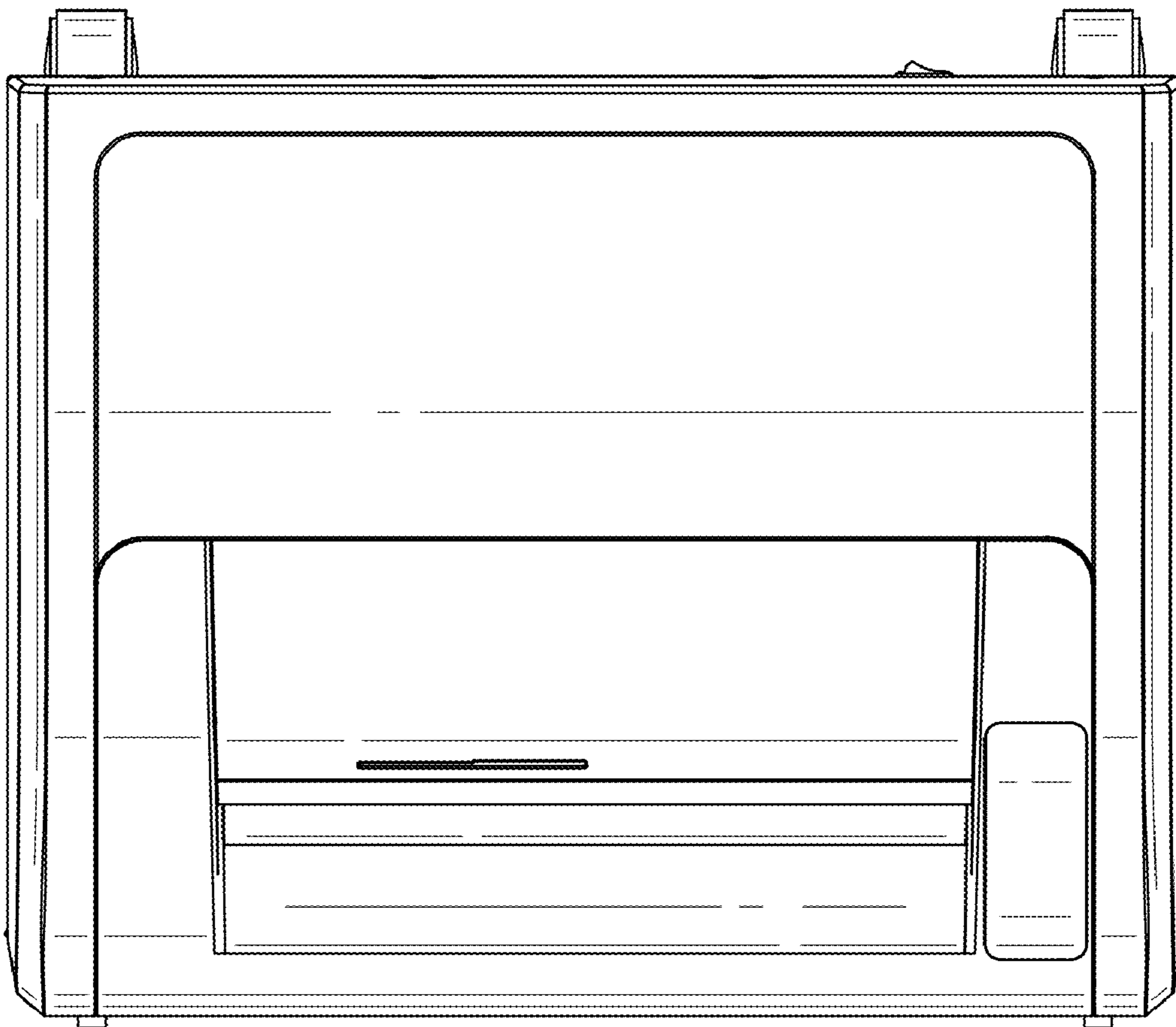


FIG. 6



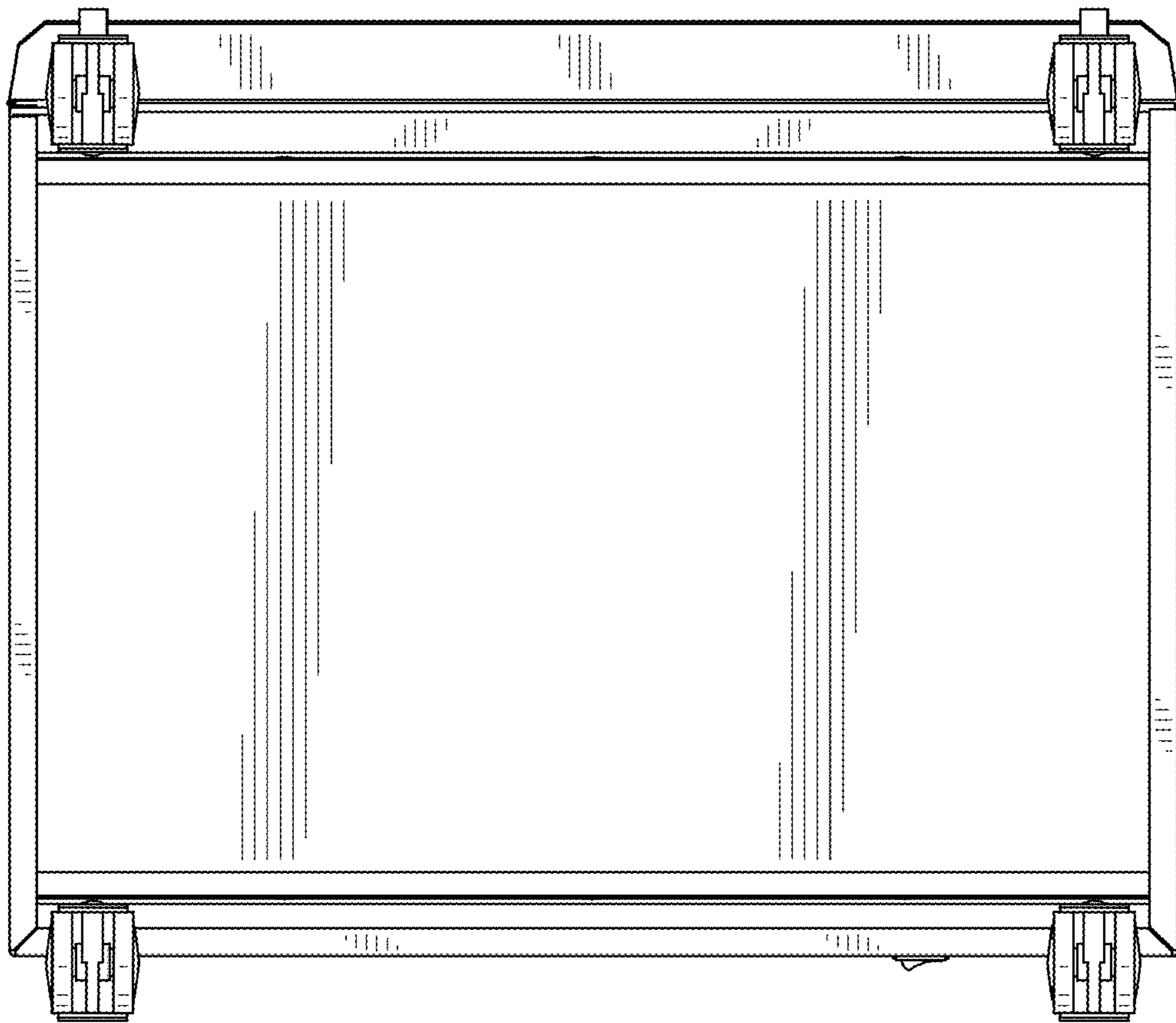


FIG. 7

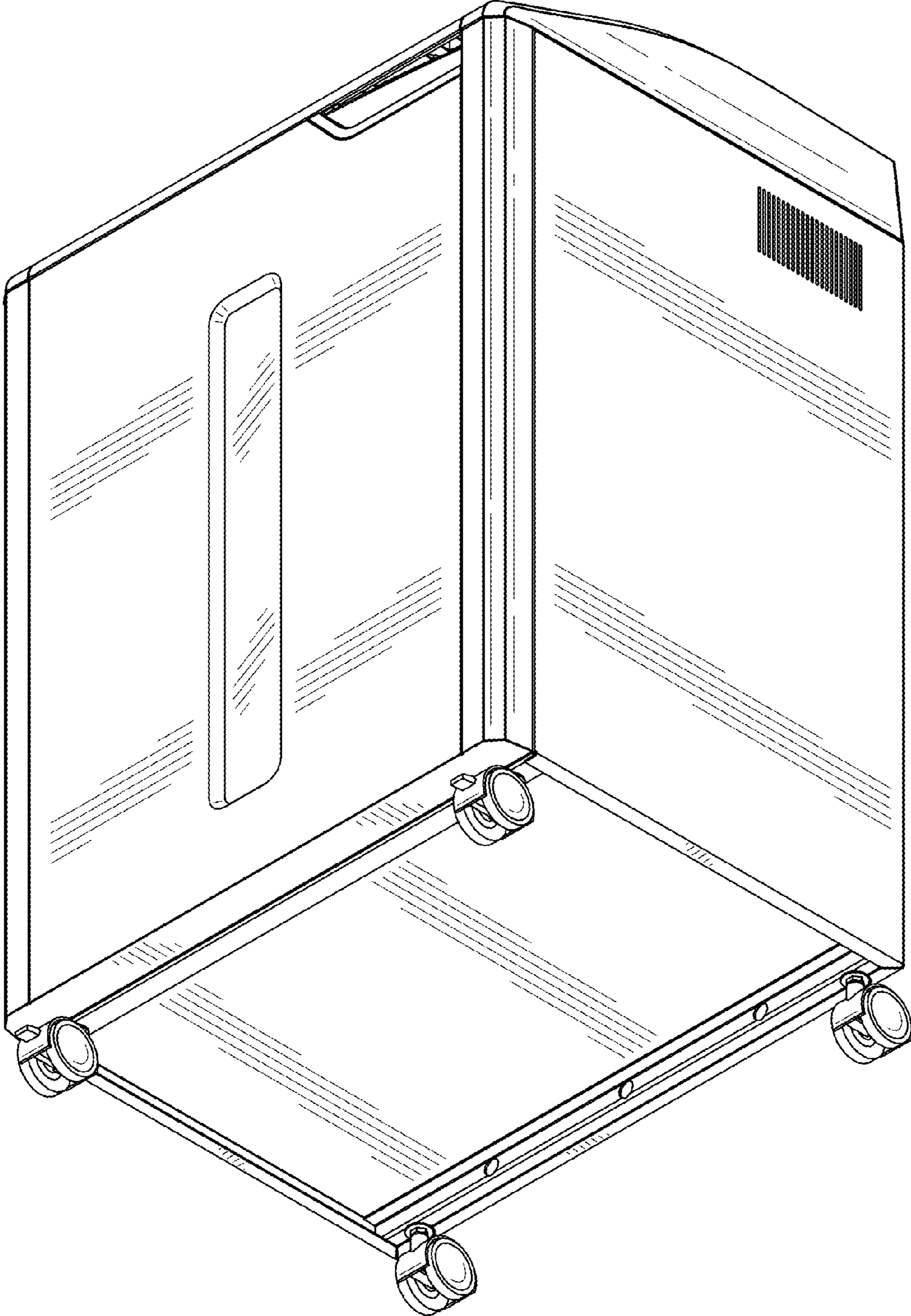


FIG. 8

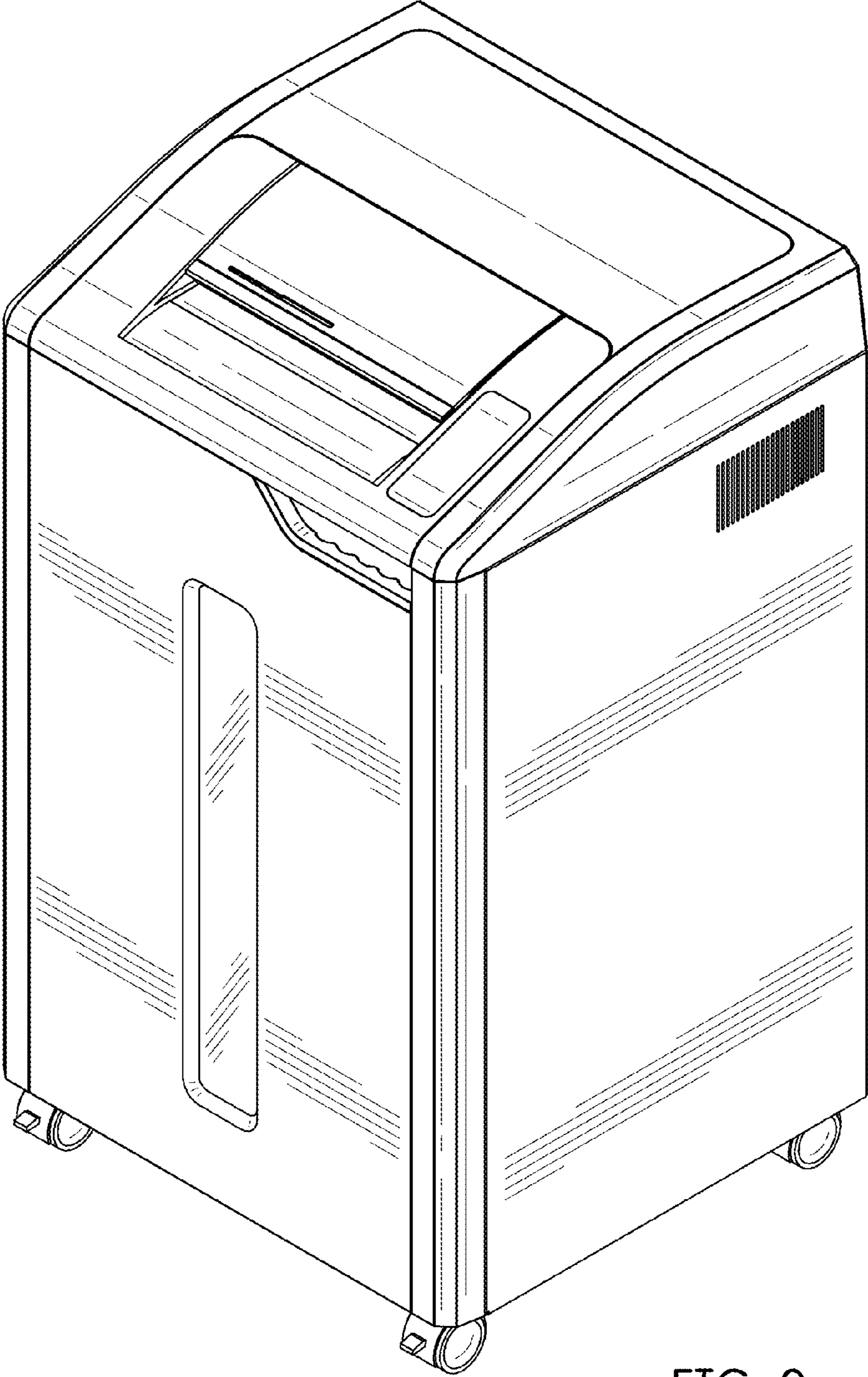


FIG. 9

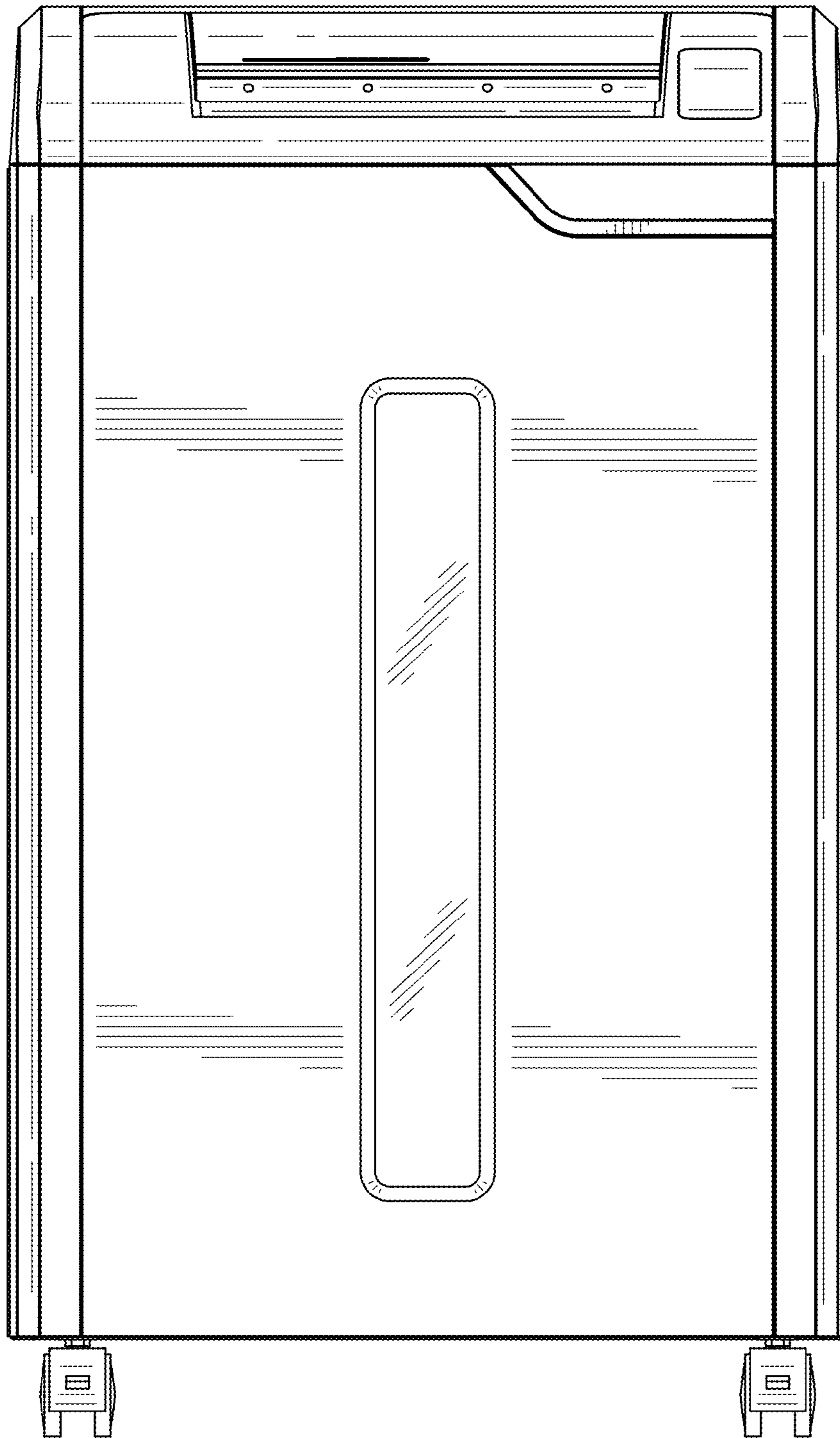


FIG. 10

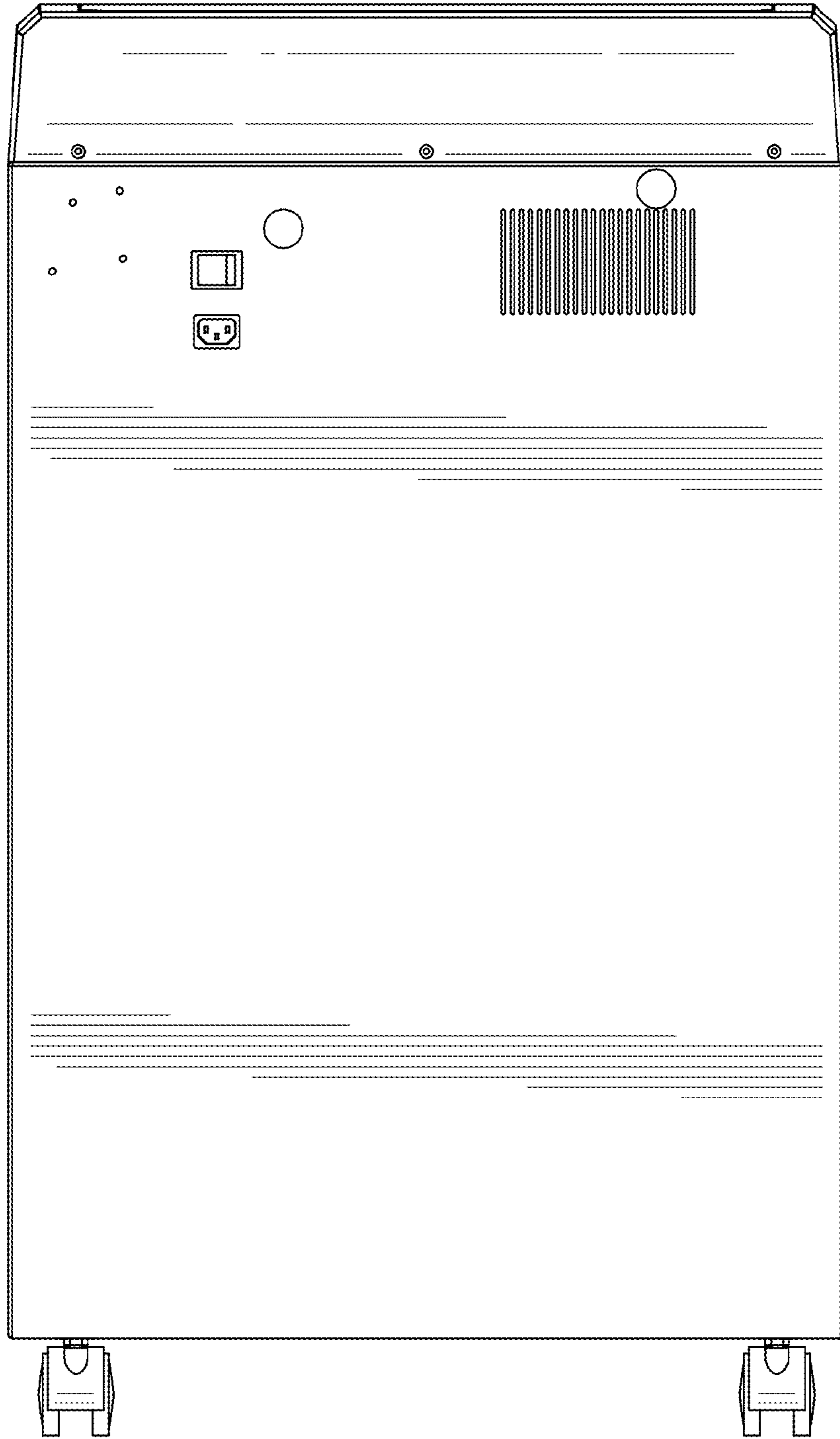


FIG. 11

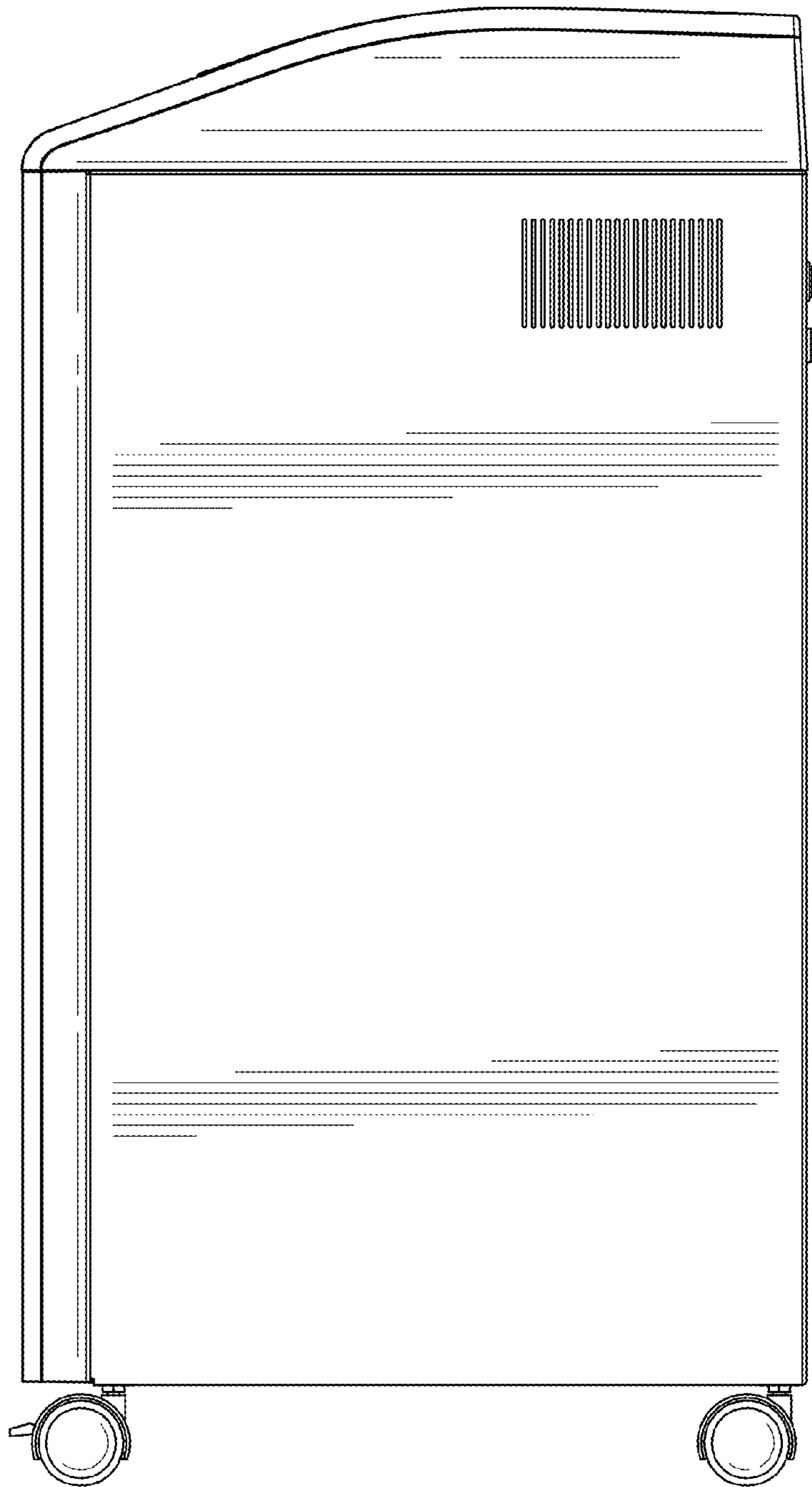


FIG. 12

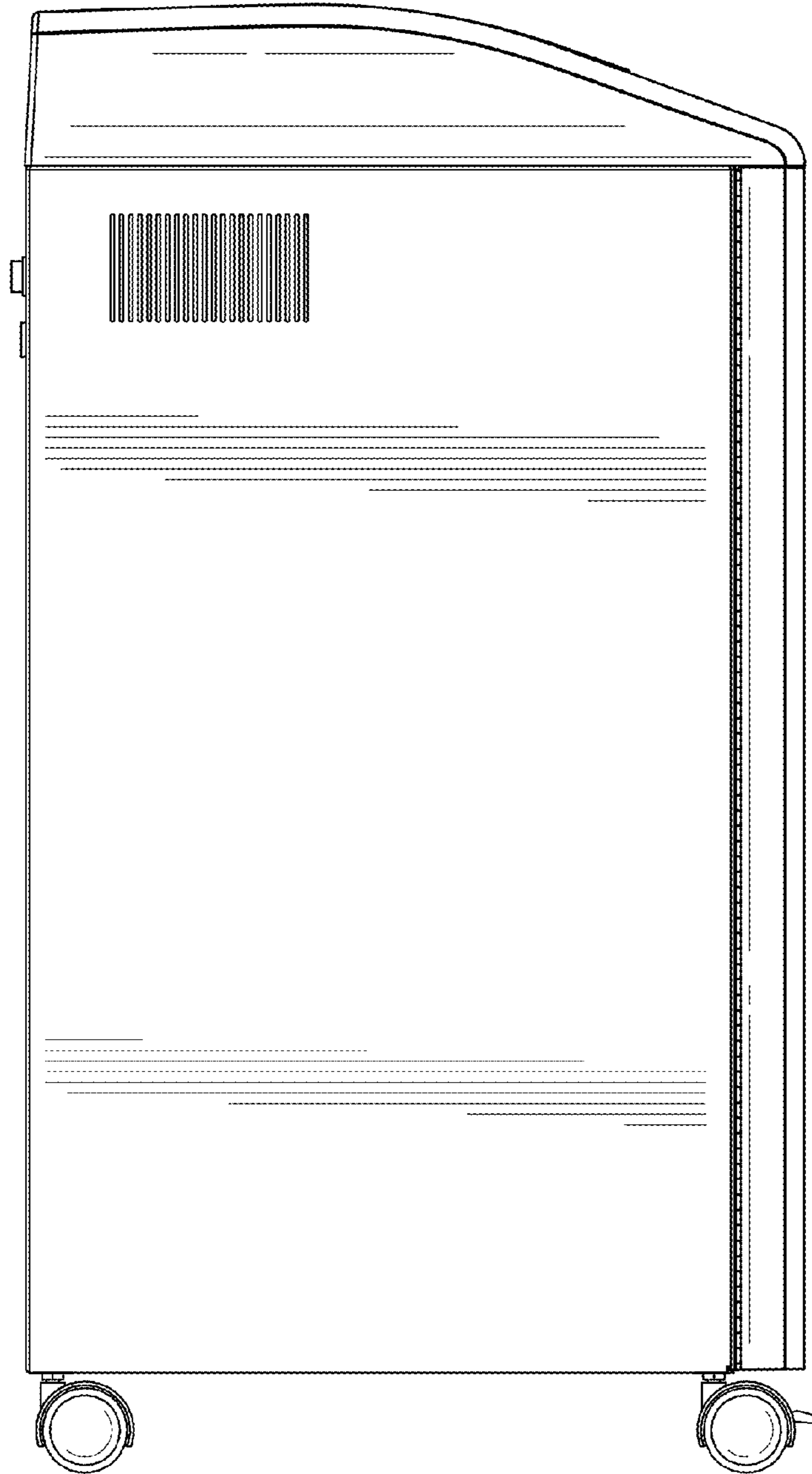


FIG. 13

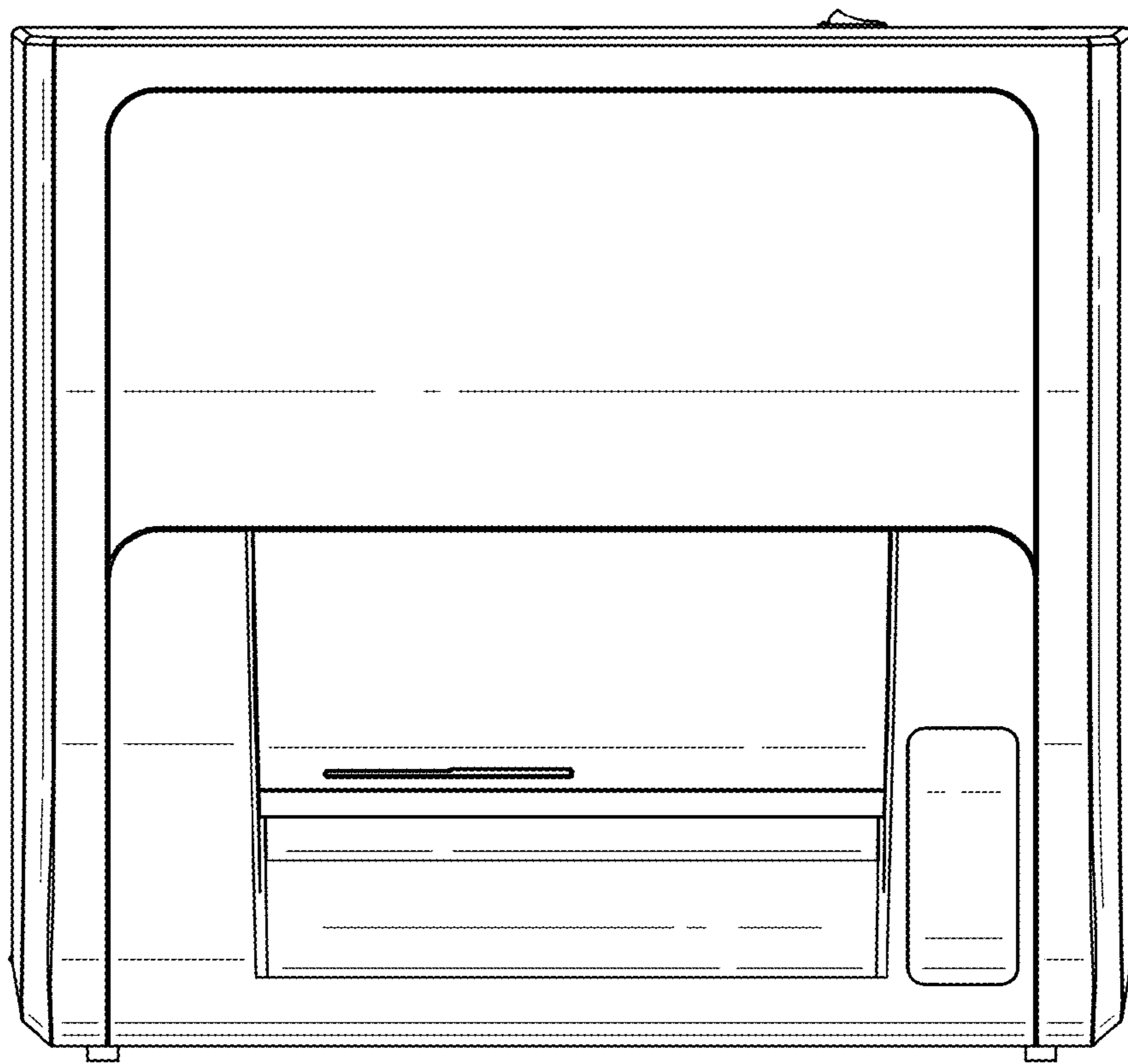


FIG. 14



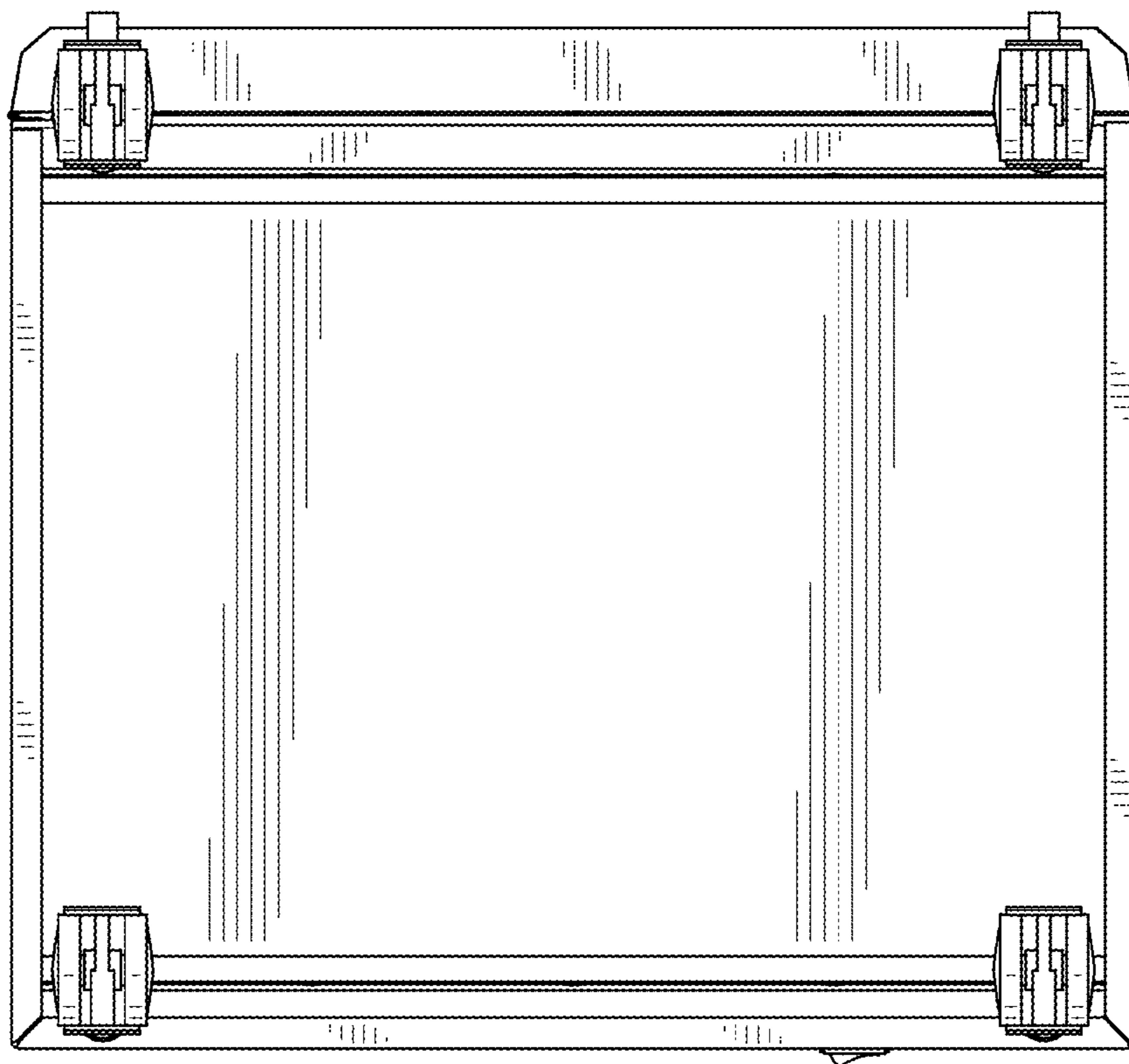


FIG. 15

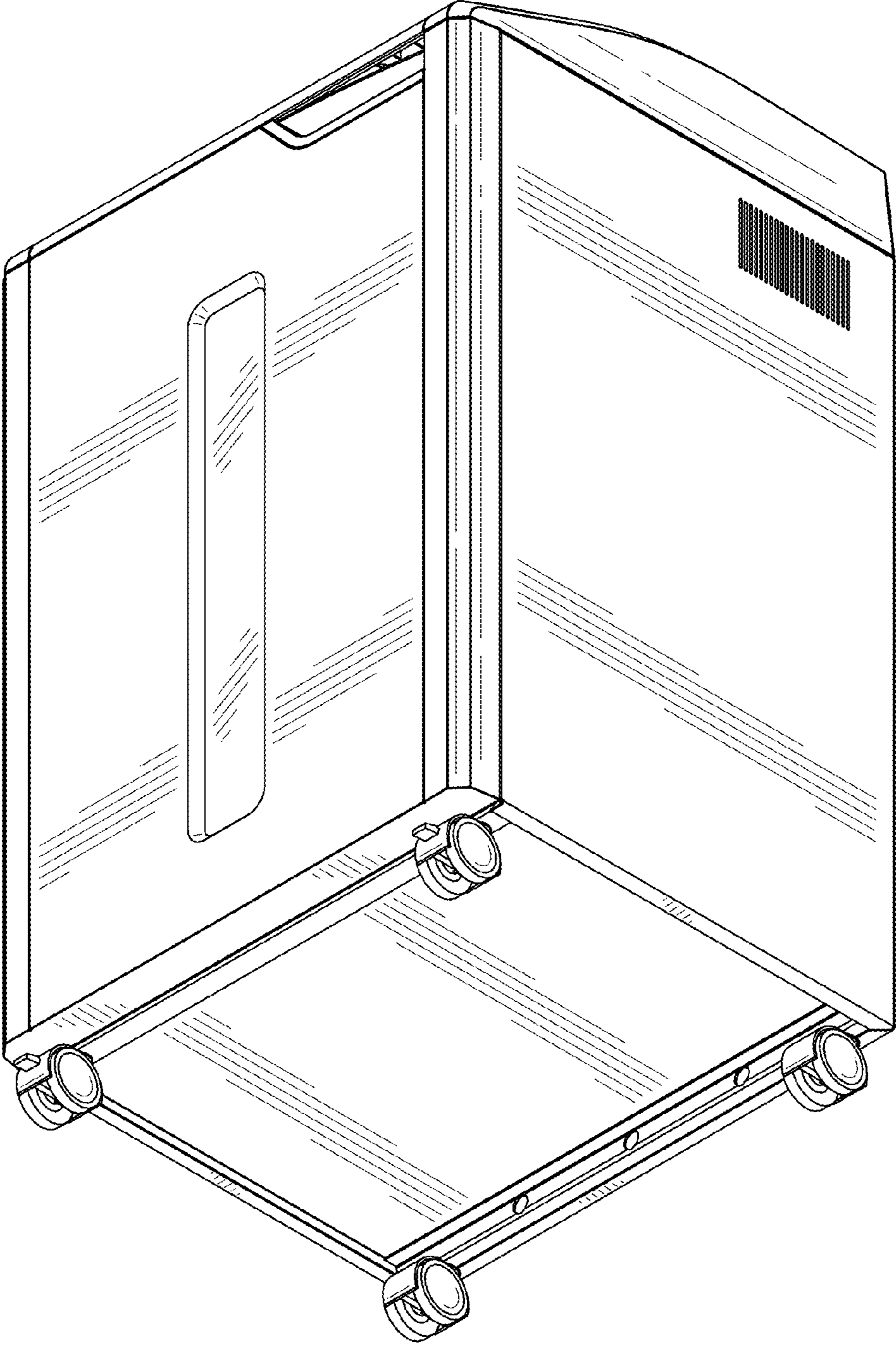


FIG. 16

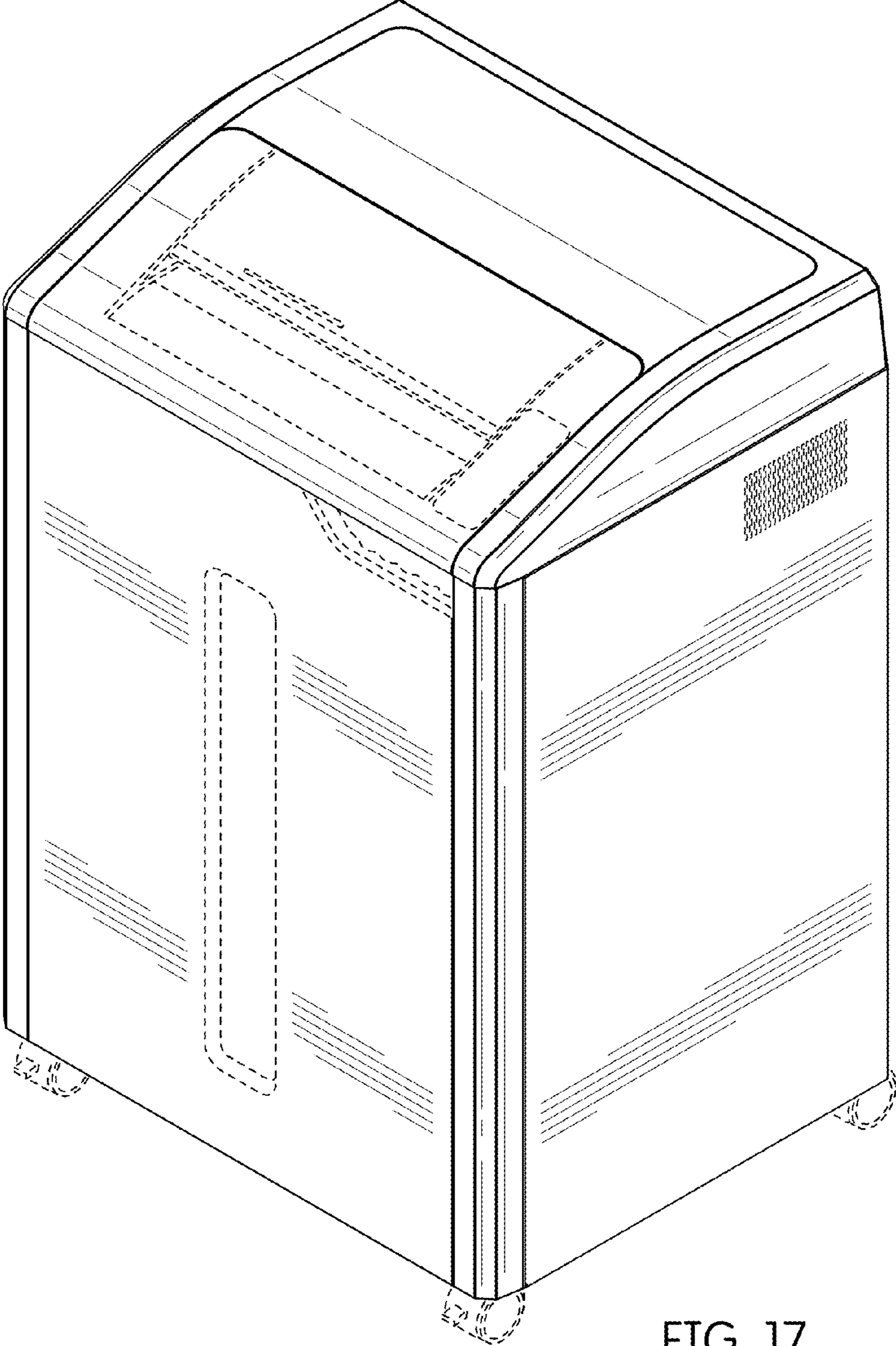


FIG. 17

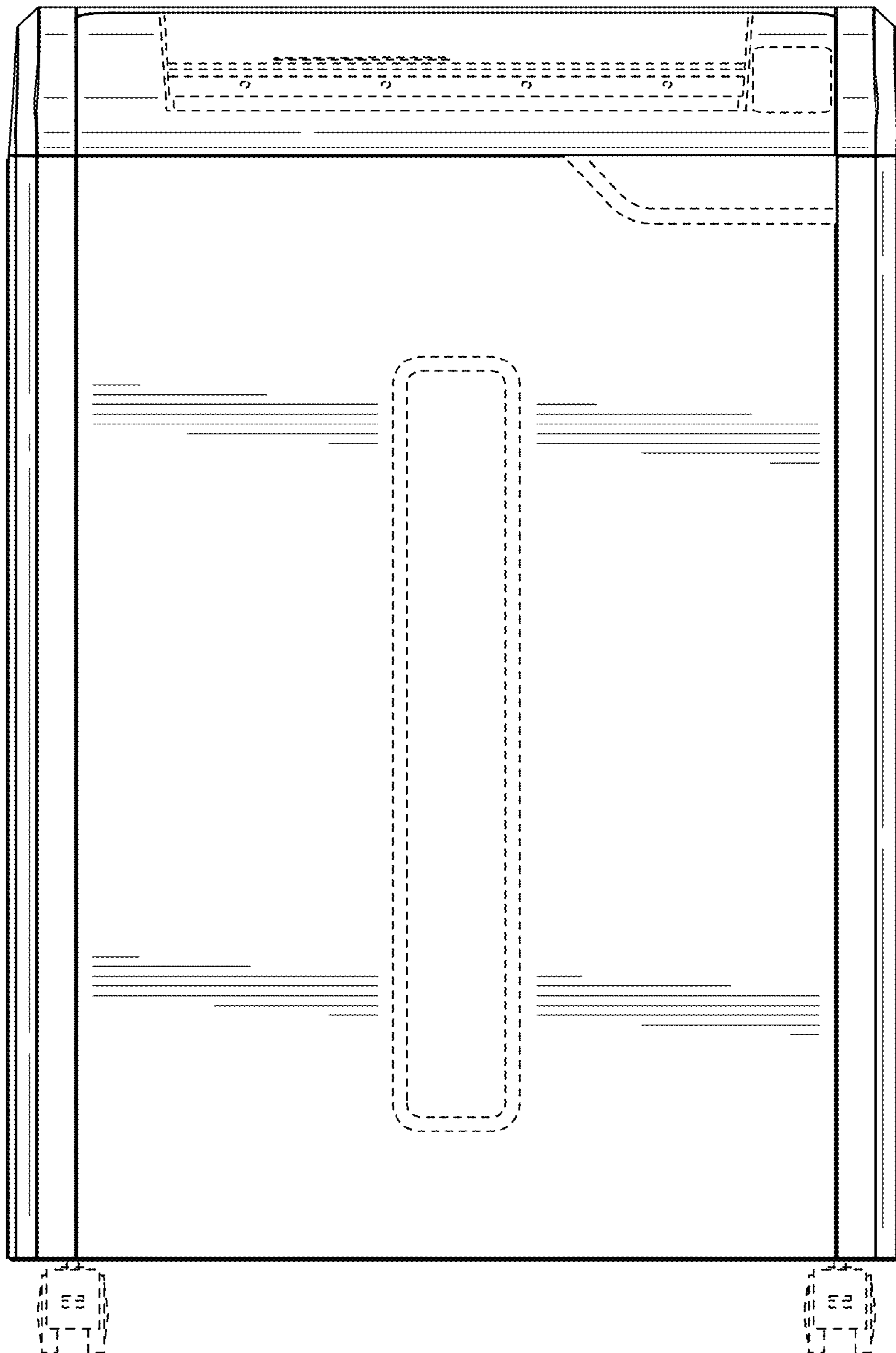


FIG. 18

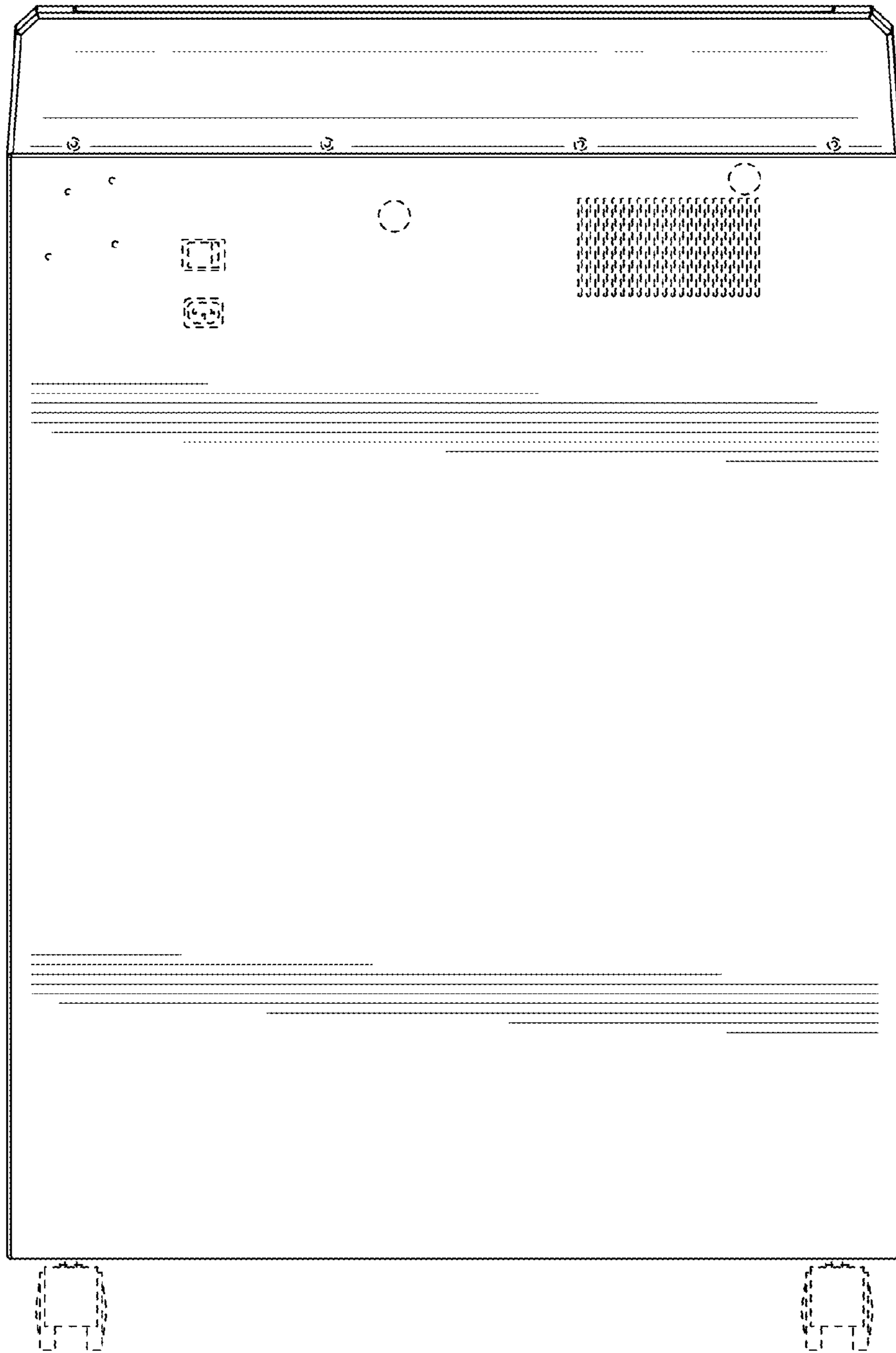


FIG. 19

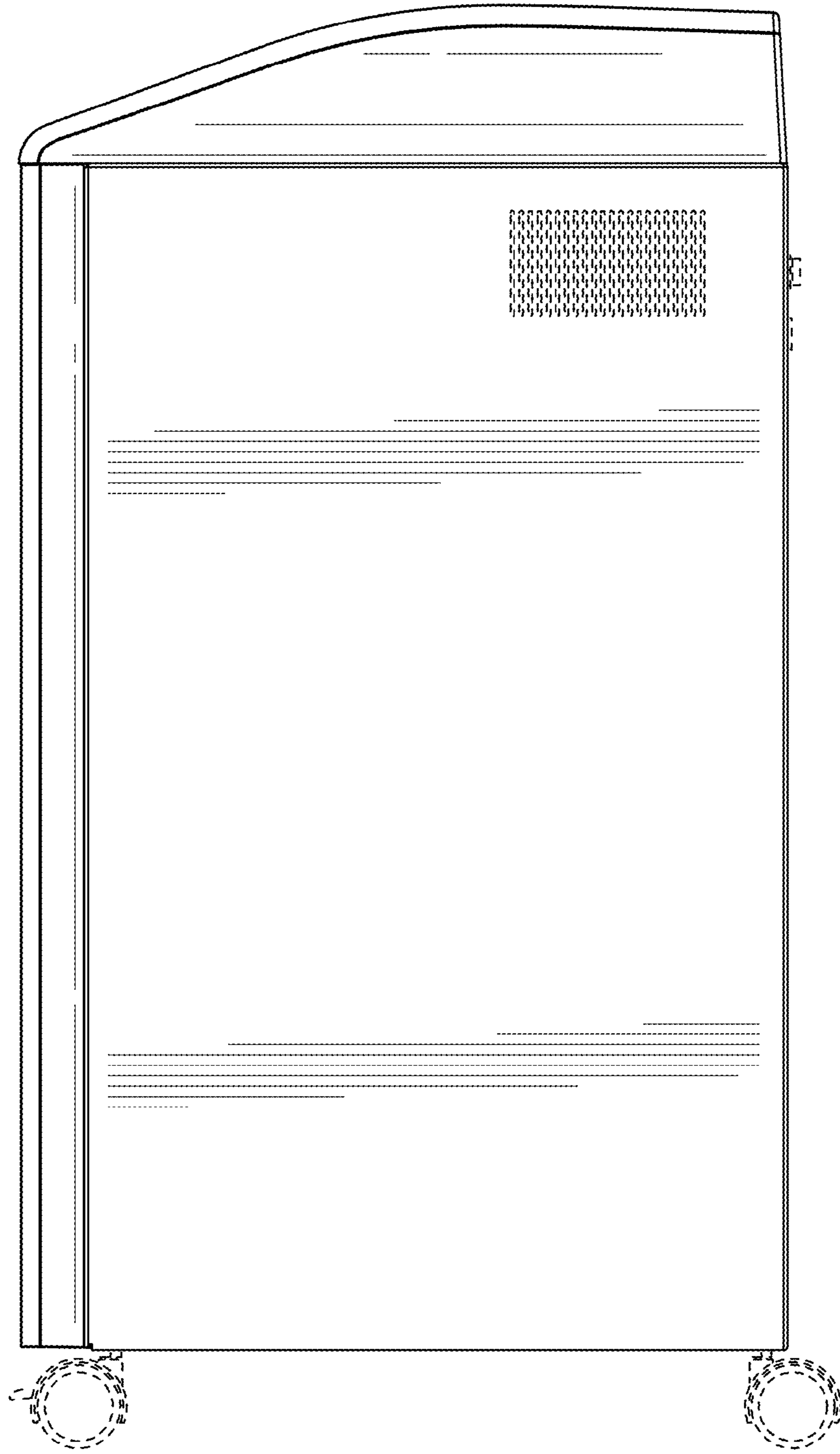


FIG. 20

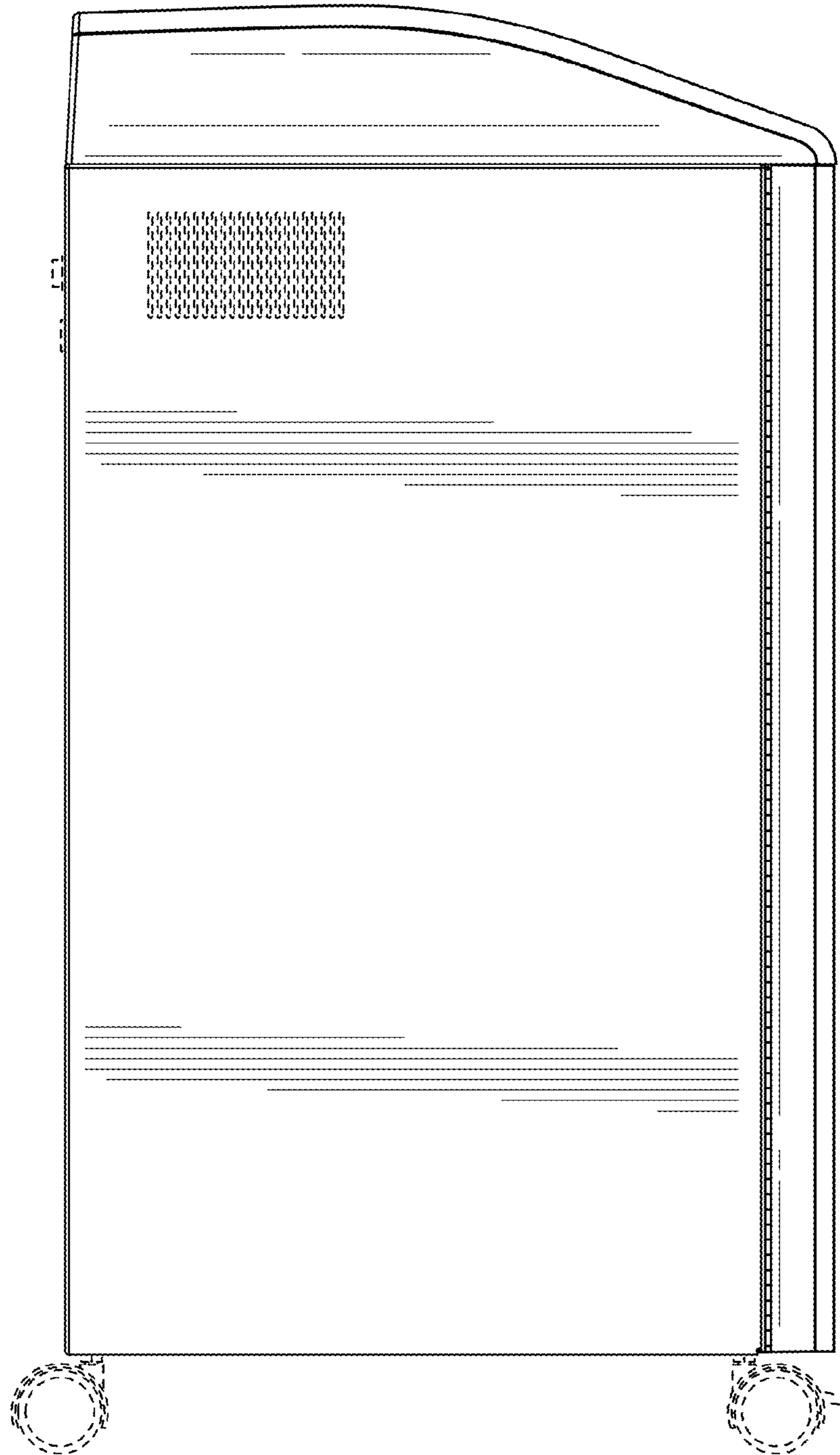


FIG. 21

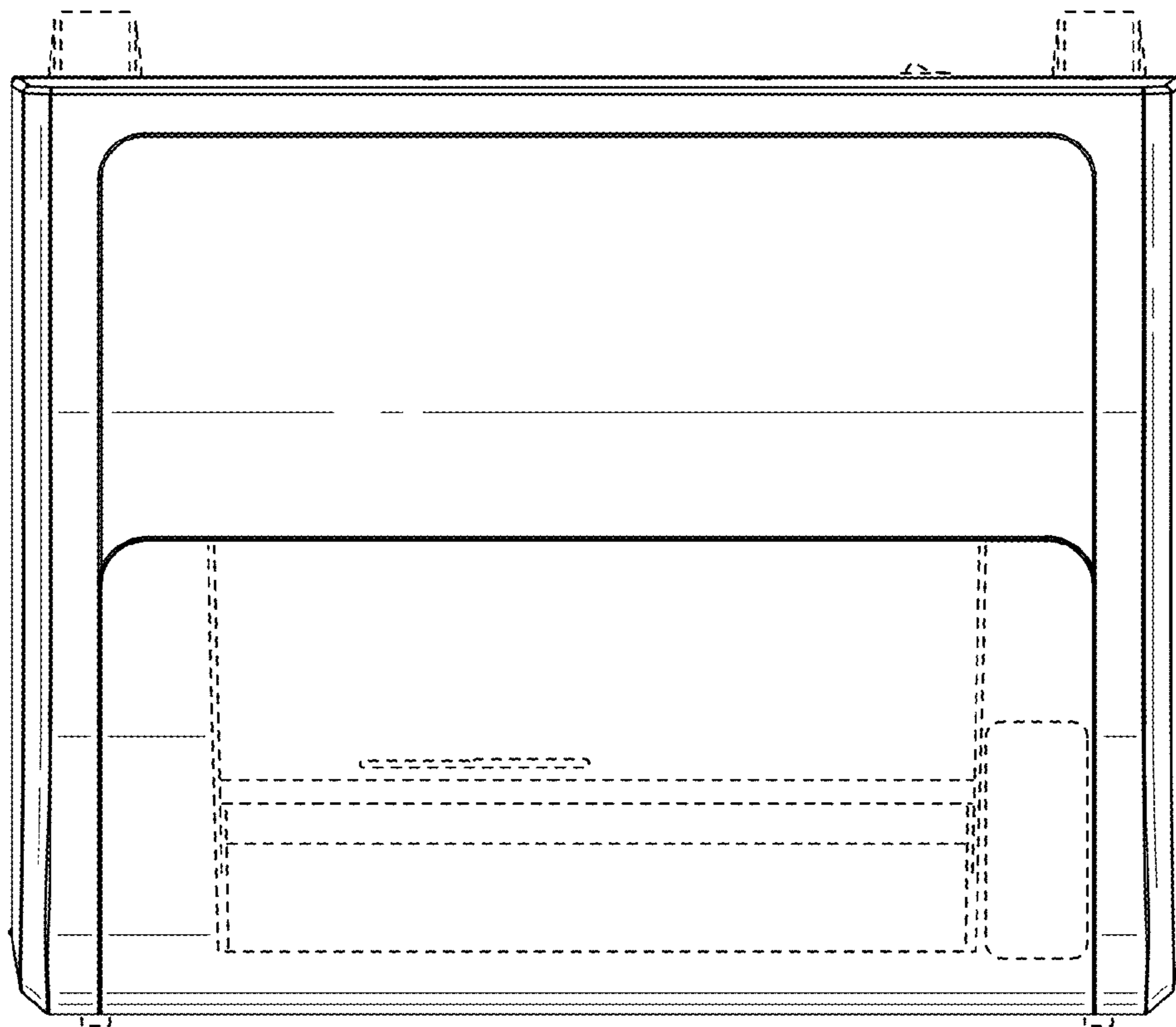


FIG. 22



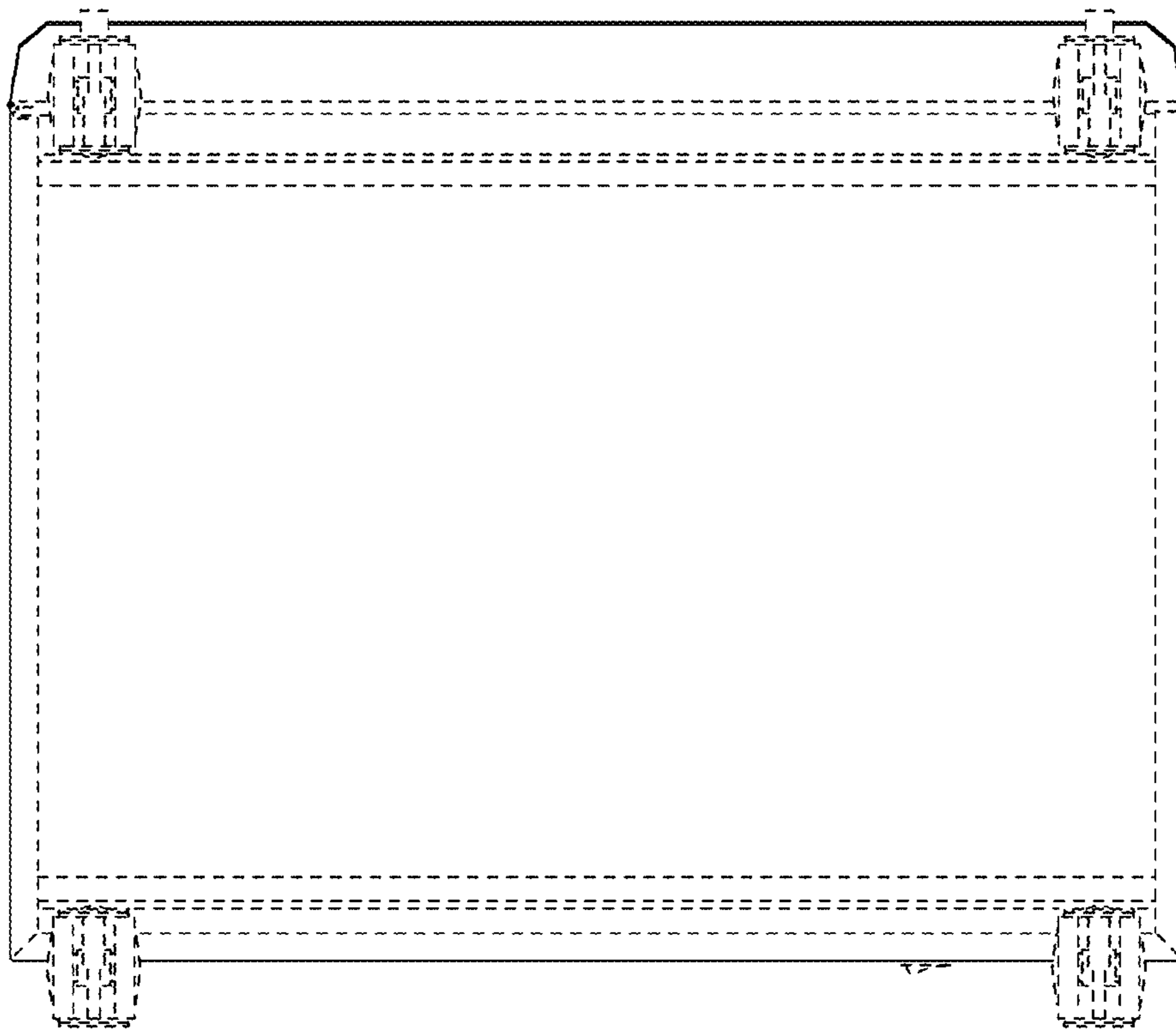


FIG. 23

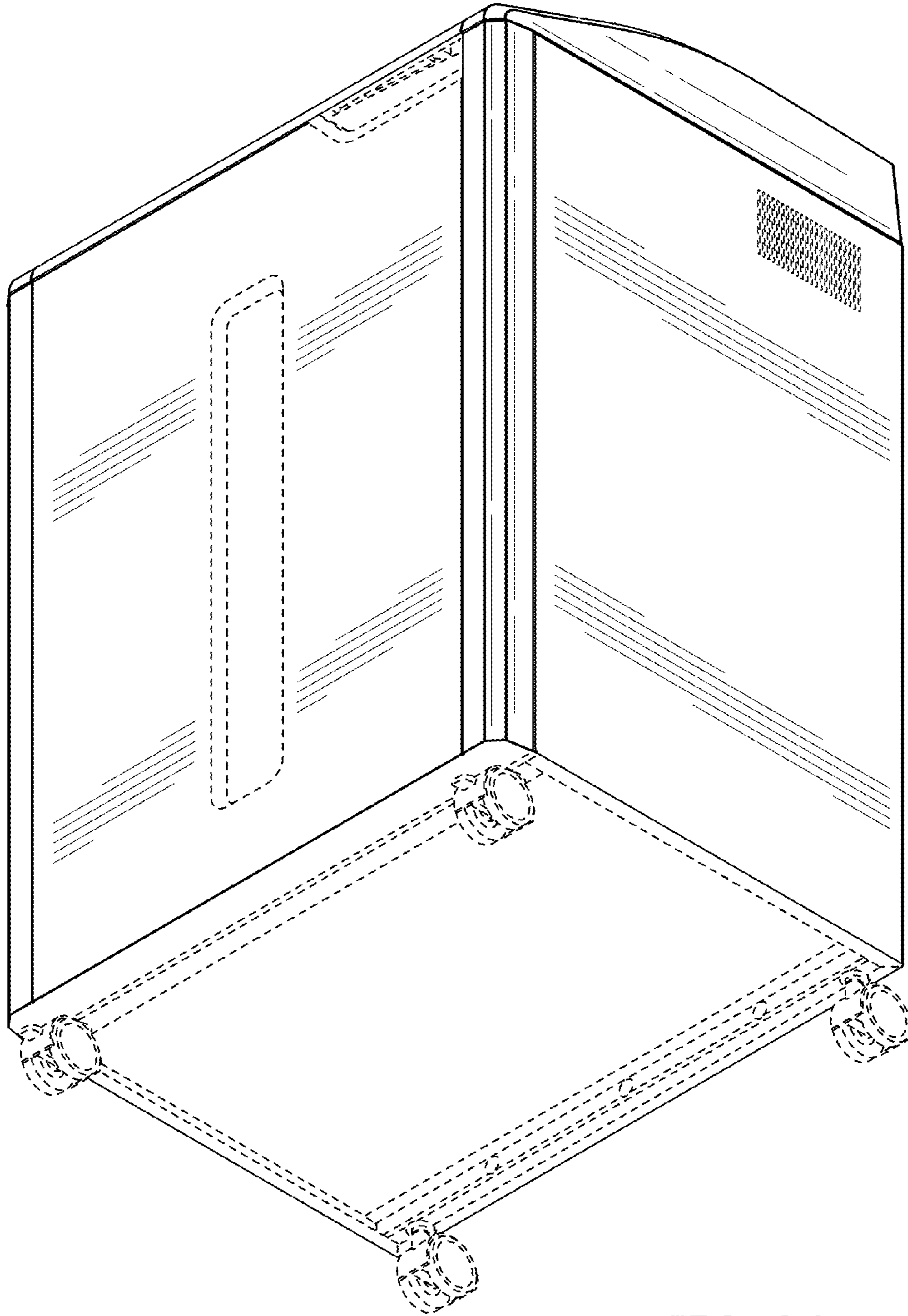


FIG. 24

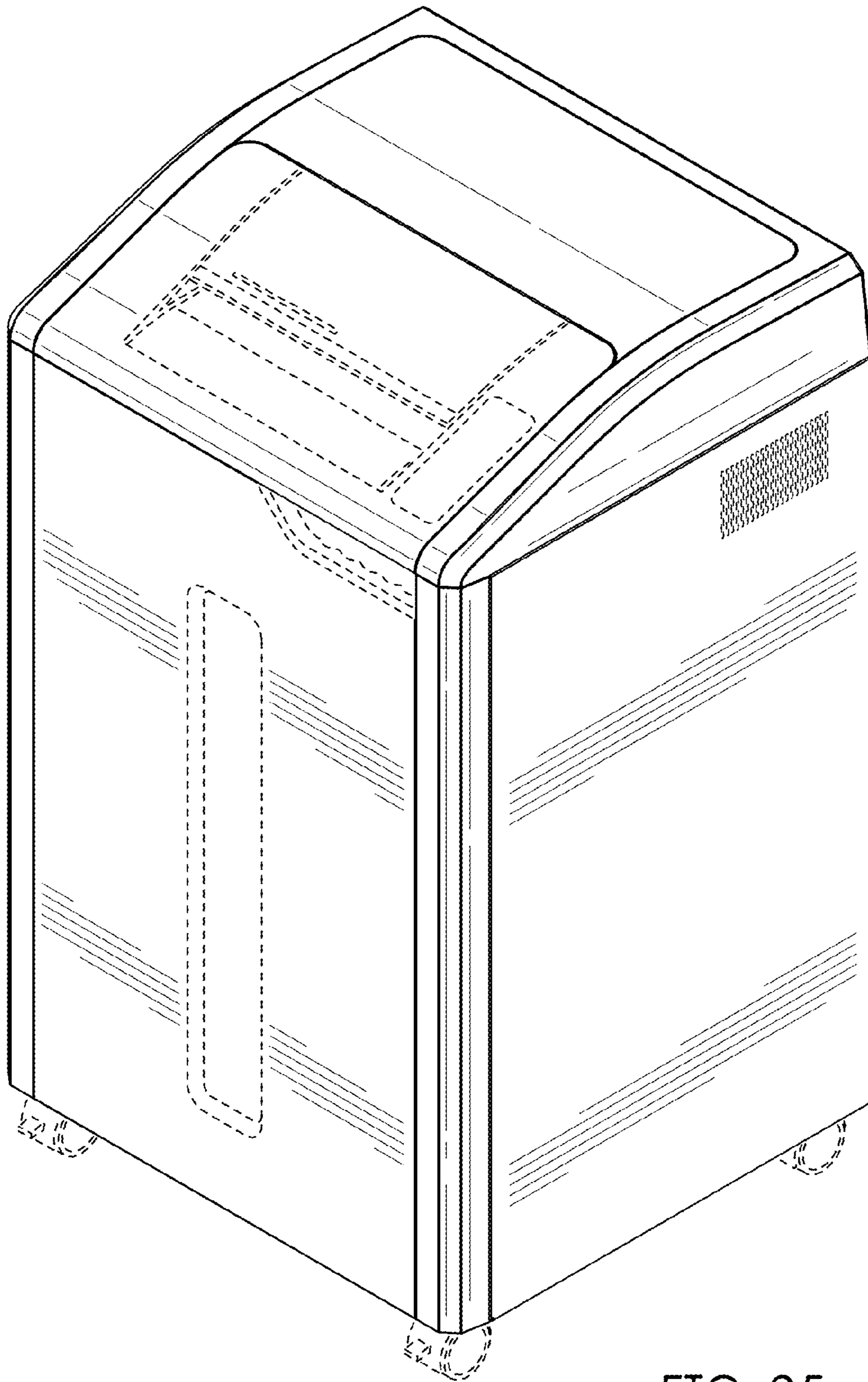


FIG. 25

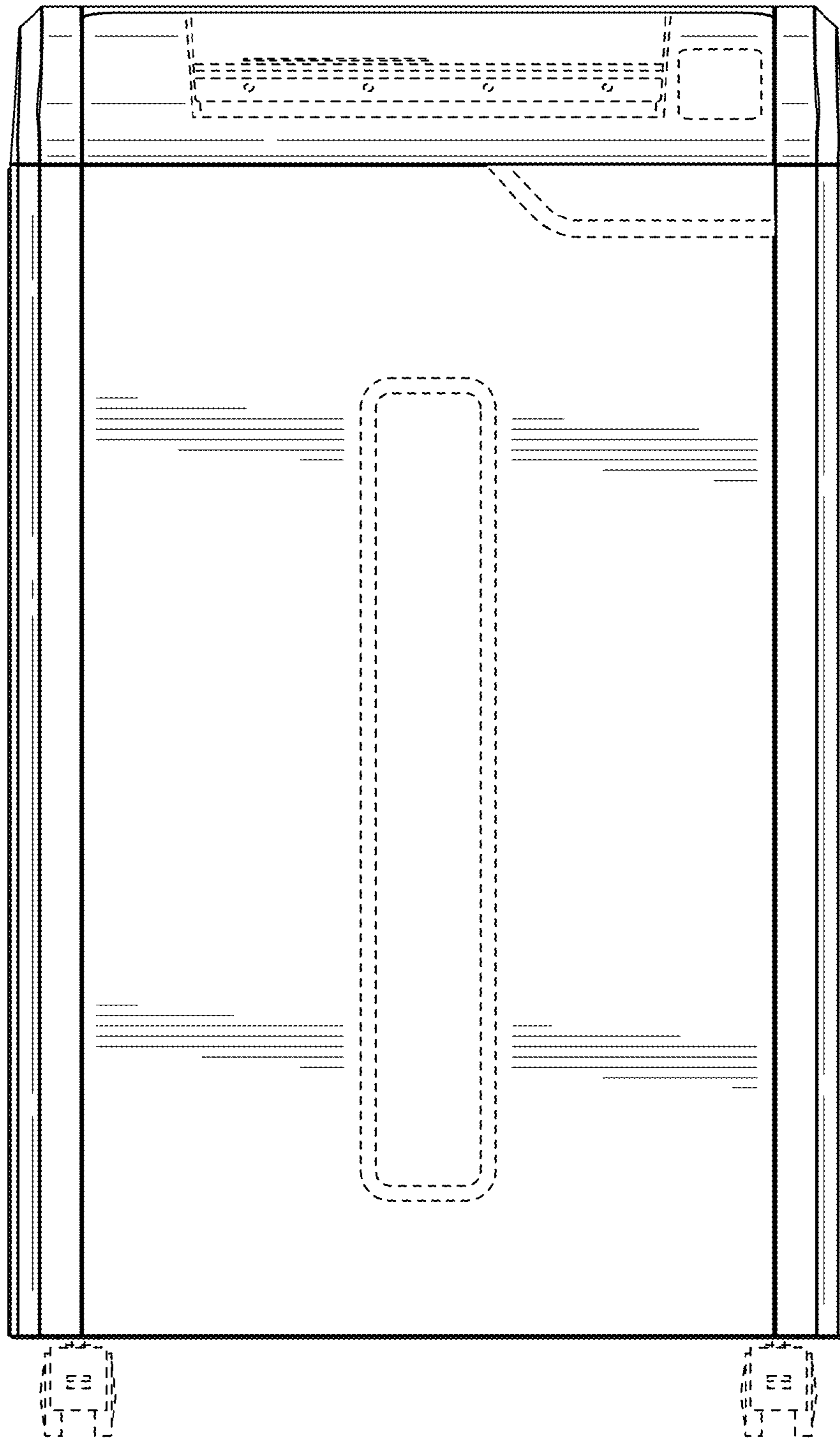


FIG. 26

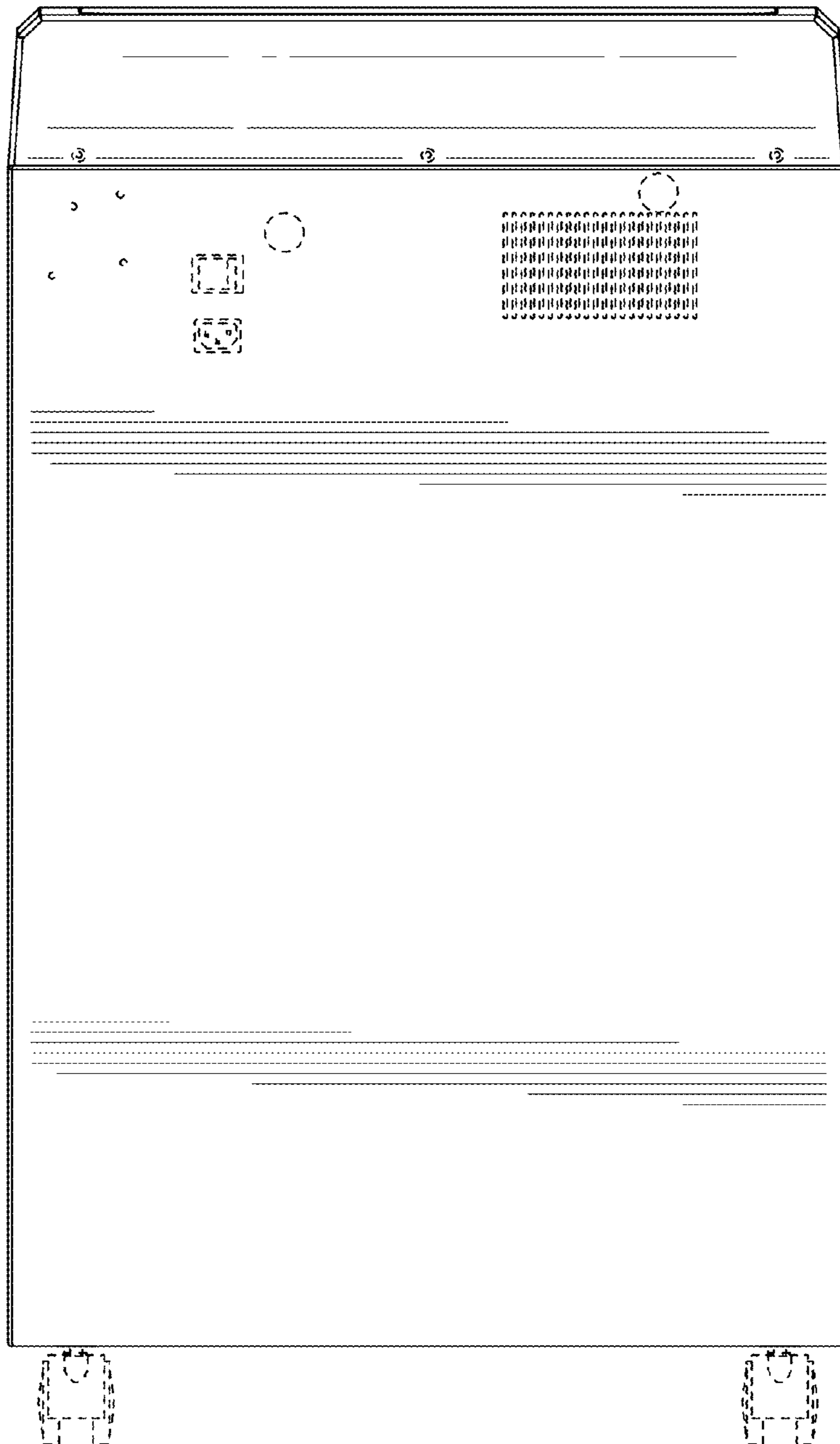


FIG. 27

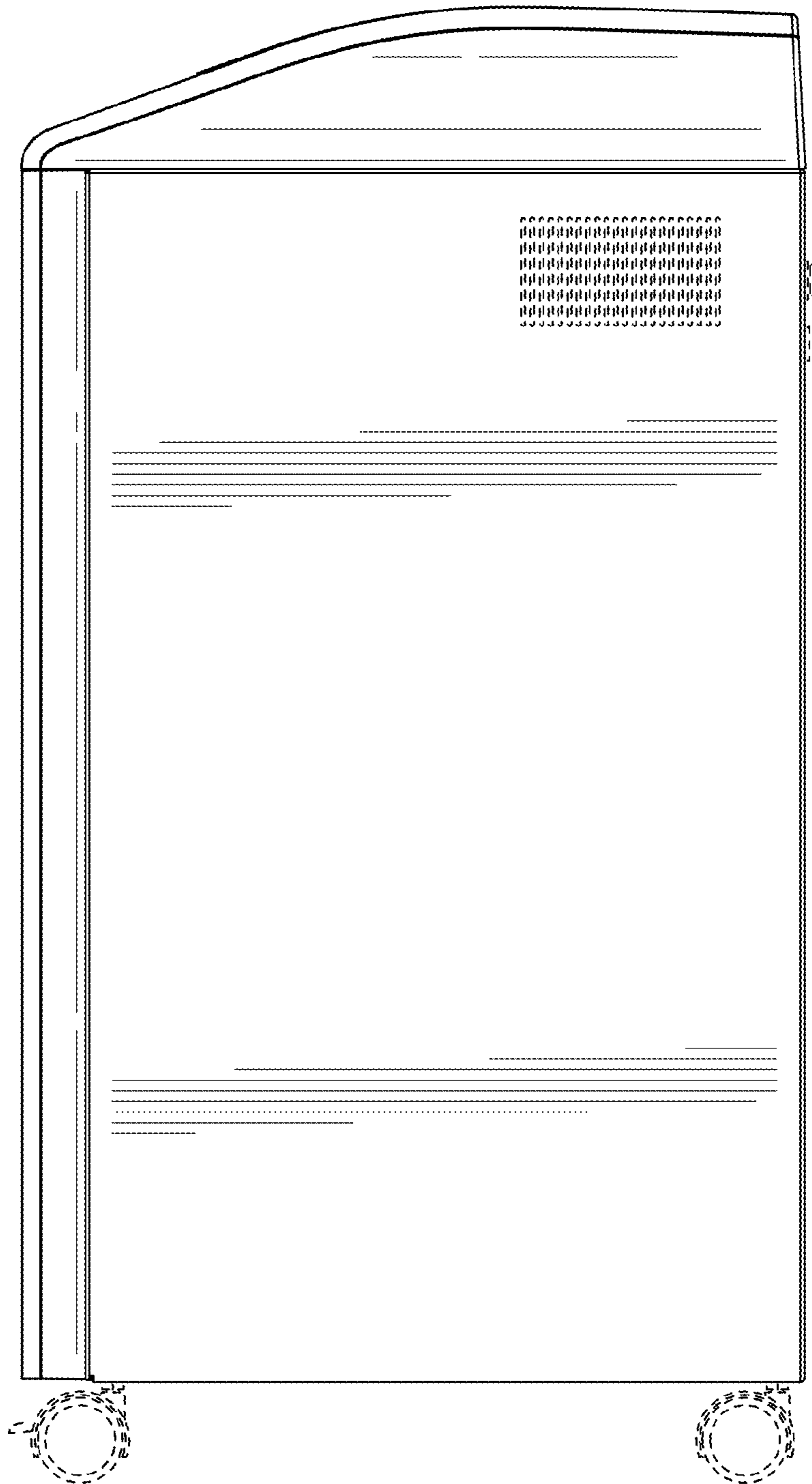


FIG. 28

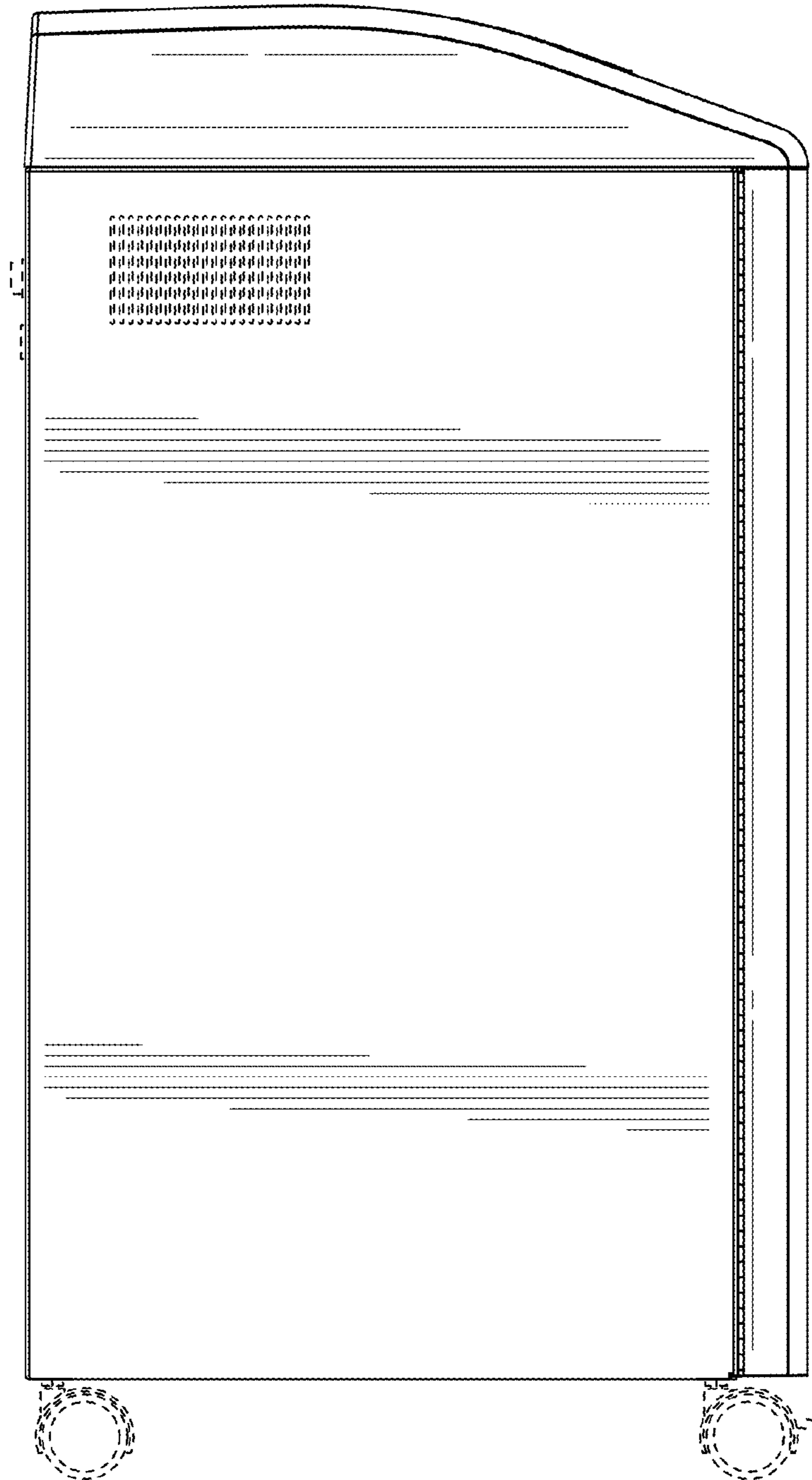


FIG. 29

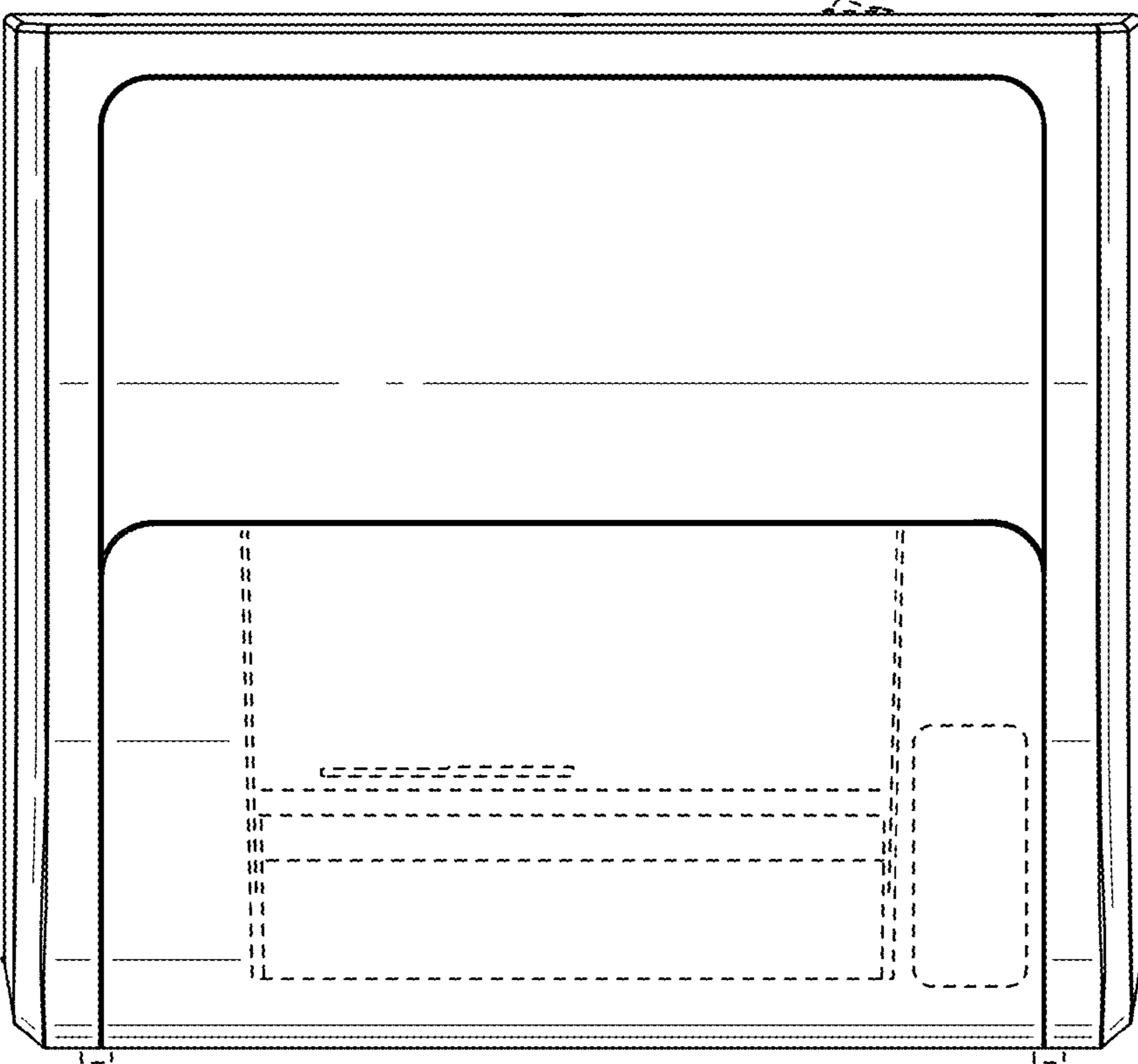


FIG. 30



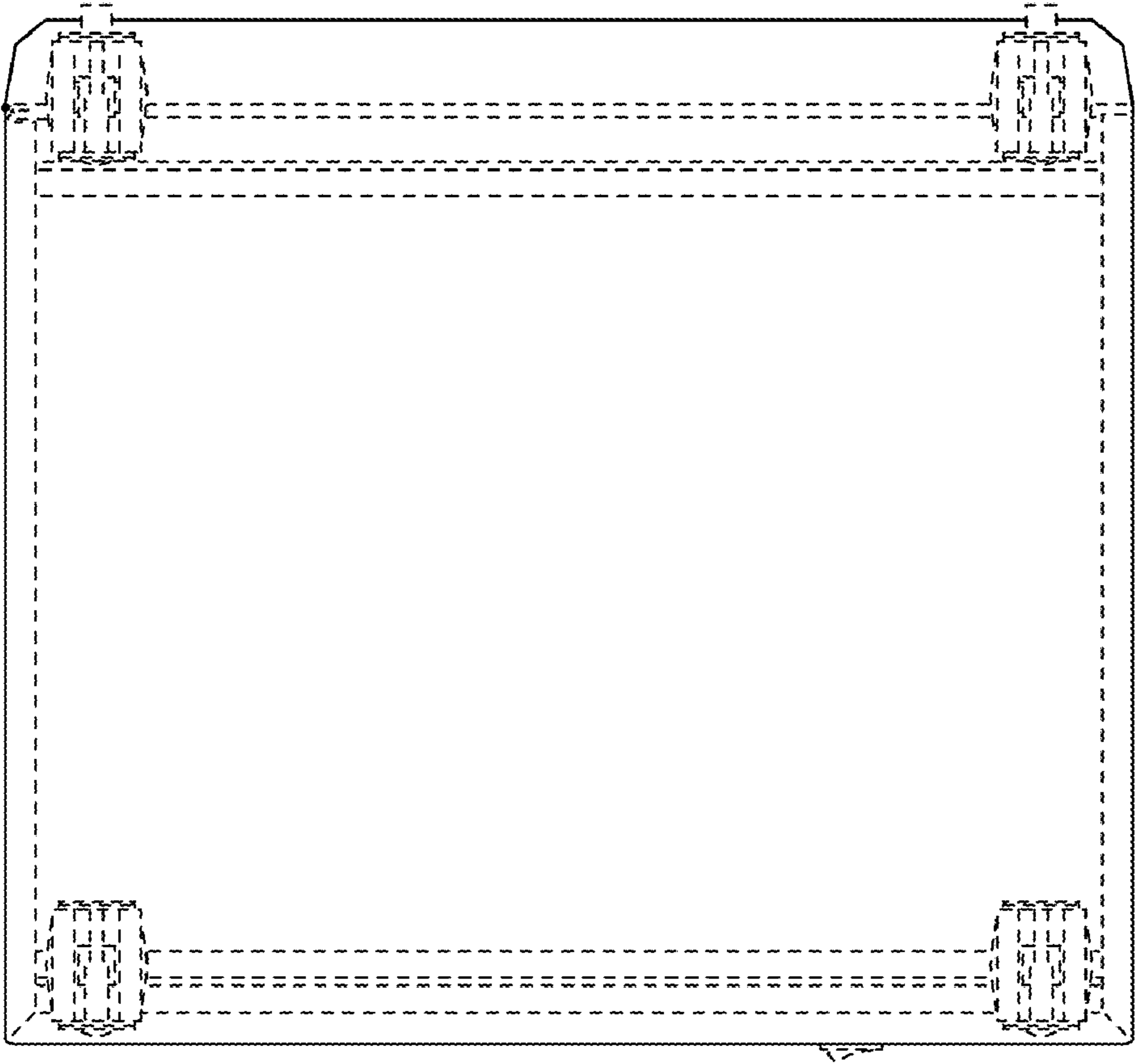


FIG. 31

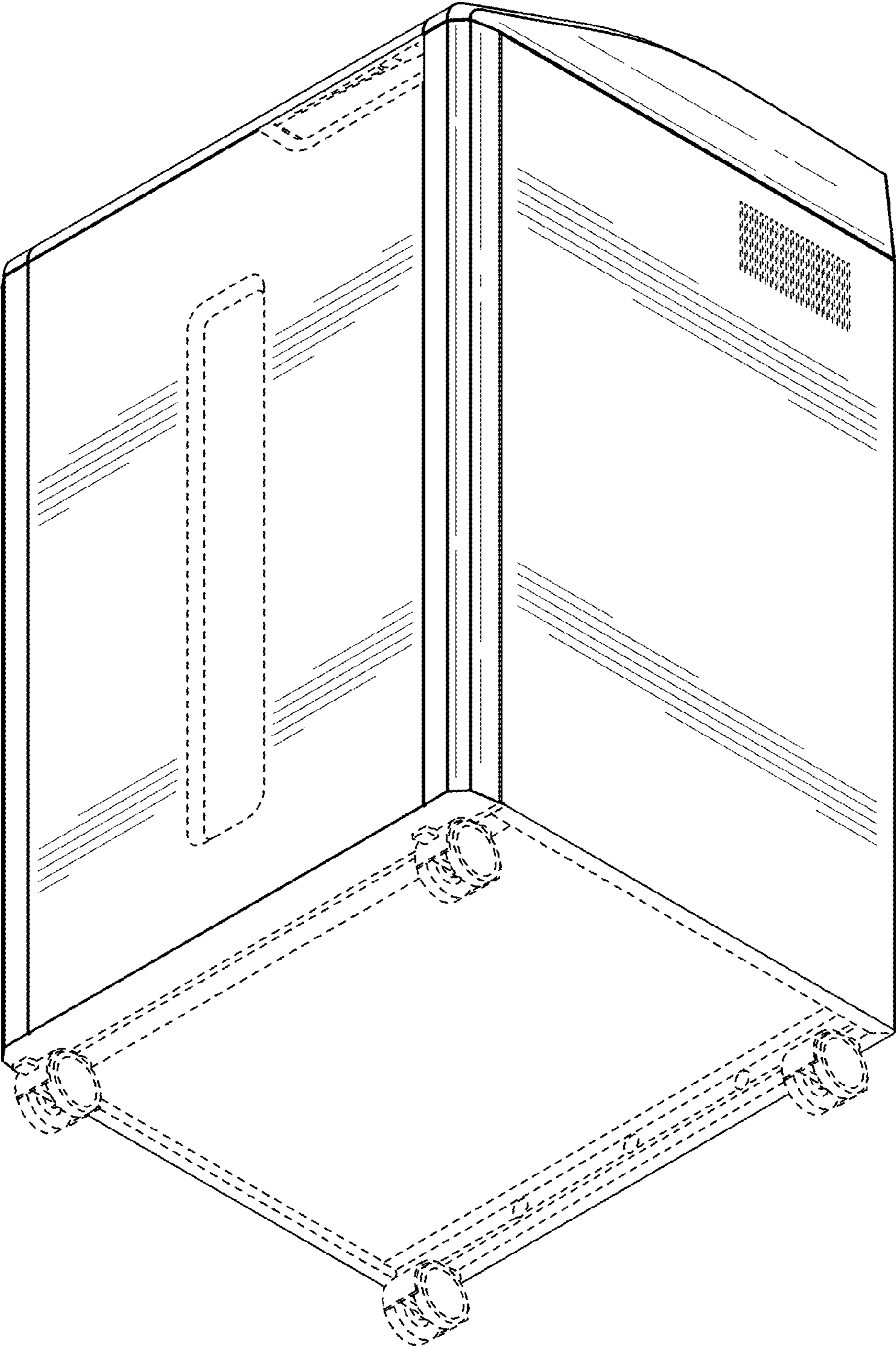


FIG. 32