



US00D679315S

(12) **United States Design Patent**
DeCelles et al.

(10) **Patent No.:** **US D679,315 S**

(45) **Date of Patent:** **** Apr. 2, 2013**

(54) **TEMPLE BRIDGE WITH INTEGRATED BOTTLE OPENER FOR EYEWEAR**

(75) Inventors: **Matthew DeCelles**, San Diego, CA (US); **Steven Dempsey**, Napa, CA (US); **Patrick Eckstein**, San Diego, CA (US); **Zach Luczynski**, San Diego, CA (US); **Eric Zugner**, San Diego, CA (US)

(73) Assignee: **Liquid Shades, LLC**, San Diego, CA (US)

(**) Term: **14 Years**

(21) Appl. No.: **29/418,493**

(22) Filed: **Apr. 17, 2012**

(51) **LOC (9) Cl.** **16-06**

(52) **U.S. Cl.** **D16/335**

(58) **Field of Classification Search** D16/101, D16/300-342, 900; D29/109-110; D24/110.2; 351/41, 44, 51-52, 62, 158, 92, 103-123, 351/140, 153, 45-46; 2/426-432, 447-449, 2/441, 434-437, 13, 15; D21/483, 659-661; D14/372

See application file for complete search history.

(56) **References Cited**

U.S. PATENT DOCUMENTS

D354,763	S	1/1995	Wang	
D364,547	S	11/1995	Lage	
5,793,462	A	8/1998	Sample et al.	
D409,222	S *	5/1999	Raub	D16/326
D414,795	S	10/1999	Grimaldi	
D427,622	S *	7/2000	Conway	D16/326
7,367,670	B2 *	5/2008	Duane	351/158

D581,450	S *	11/2008	Moritz	D16/326
D630,674	S *	1/2011	Markovitz	D16/326
D652,442	S *	1/2012	Yee et al.	D16/326
D659,182	S *	5/2012	Shin et al.	D16/326
2008/0239235	A1	10/2008	Severino	

FOREIGN PATENT DOCUMENTS

FR	935388-005	1/1994
FR	953109-001	8/1995

OTHER PUBLICATIONS

Utilit-Key—6 in 1 Keyring Gadget Tool with Phillips Screwdriver, *Utili-Key*, <http://www.latestbuy.com.au/utili_key_gadget.html>, [retrieved on Jun. 8, 2012].
WestSky Promotions, Inc., *Coming Promos—Sunglasses V5*, <[http://westsky.logomall.com/ProductDetail/ProductDetail.aspx?Ntt=su...>](http://westsky.logomall.com/ProductDetail/ProductDetail.aspx?Ntt=su...) [retrieved on Apr. 8, 2012].

* cited by examiner

Primary Examiner — Raphael Barkai

(74) *Attorney, Agent, or Firm* — Mintz, Levin, Cohn, Ferris, Glovsky and Popeo, P.C.

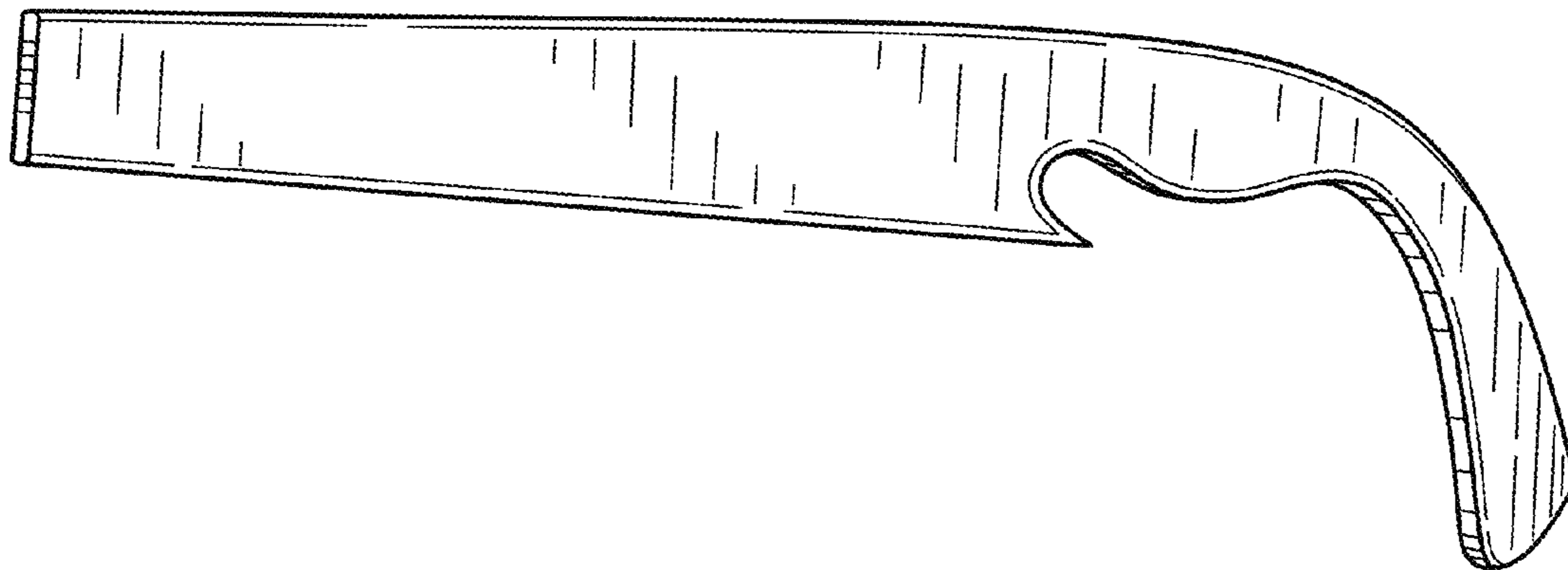
(57) **CLAIM**

The ornamental design for a temple bridge with integrated bottle opener for eyewear, as shown and described.

DESCRIPTION

FIG. 1 is a side perspective view of a temple bridge with integrated bottle opener for eyewear showing our new design; FIG. 2 is a side view thereof; FIG. 3 is a back side view thereof; FIG. 4 is a front view thereof; FIG. 5 is a top view thereof; and, FIG. 6 is a bottom view thereof.

1 Claim, 4 Drawing Sheets



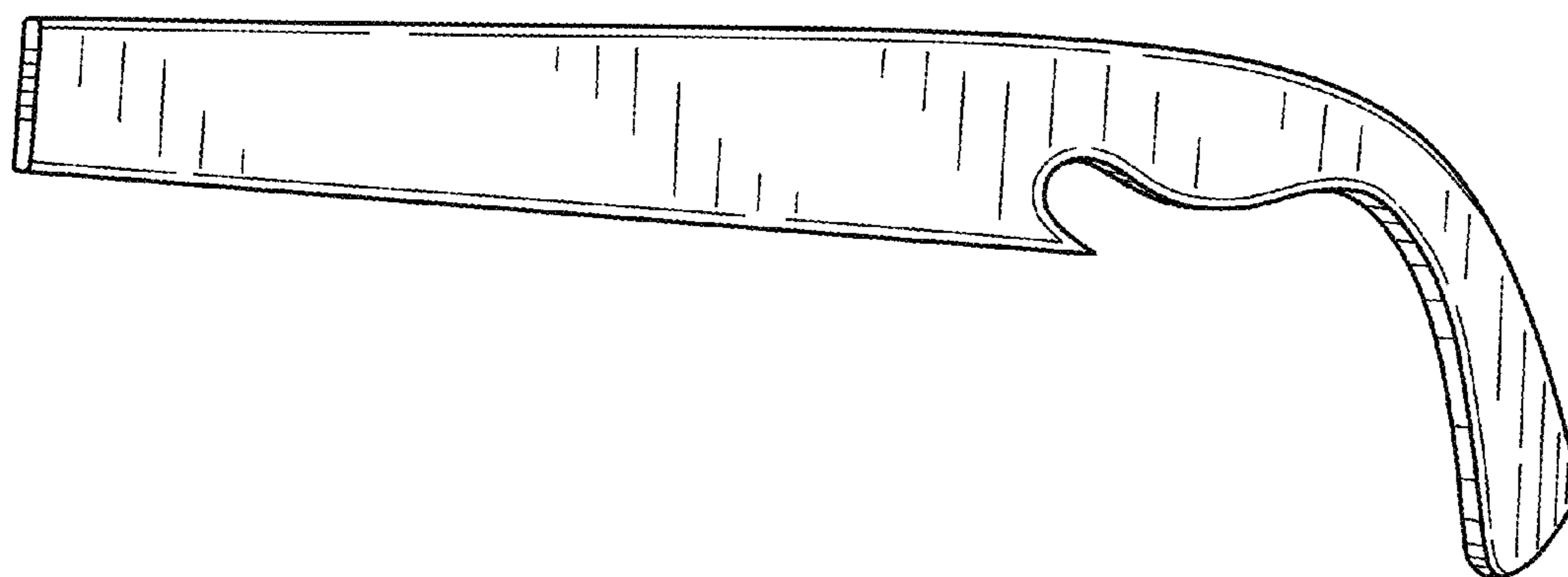


FIG. 1

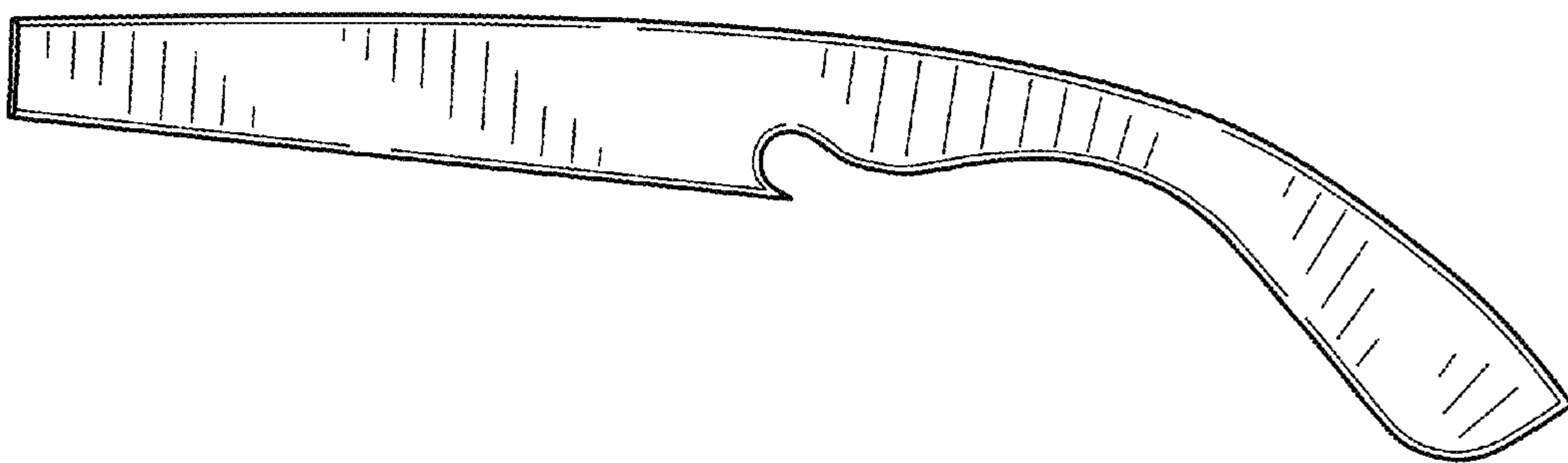


FIG. 2

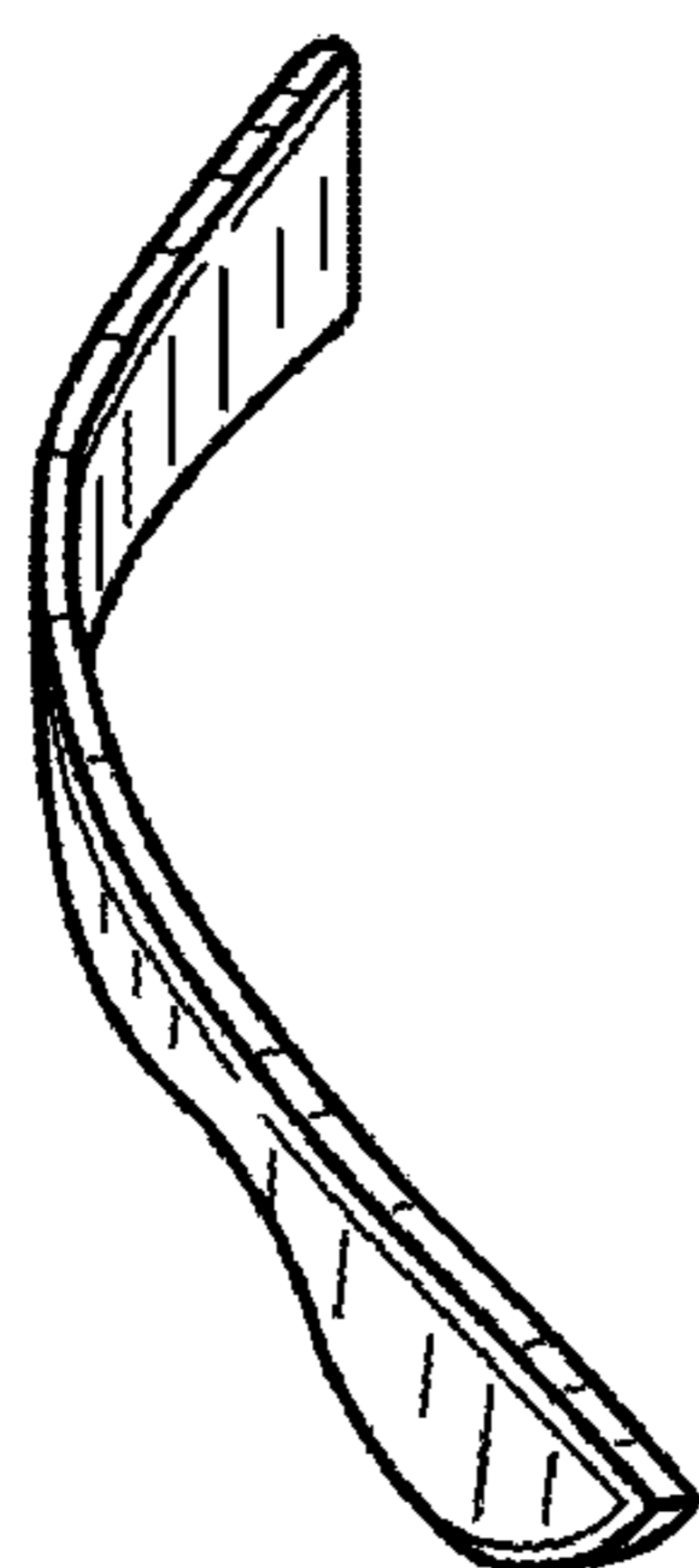


FIG. 3



FIG. 4

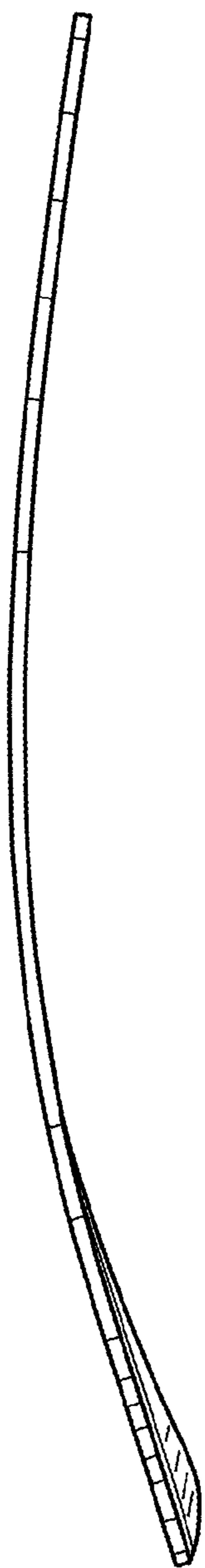


FIG. 5

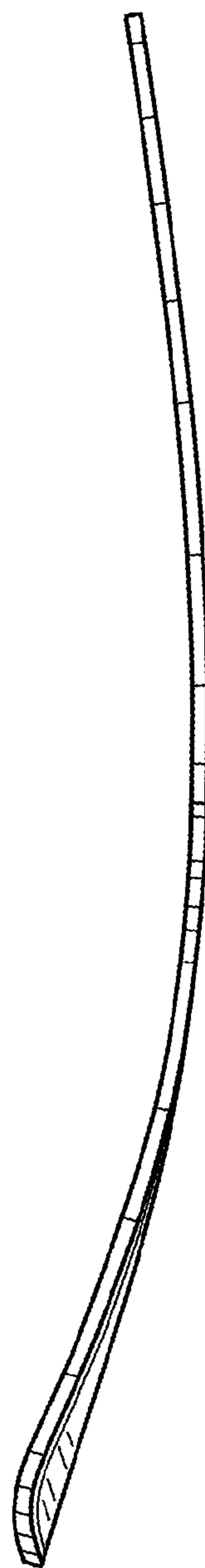


FIG. 6