



US00D679311S

(12) **United States Design Patent**  
**Wu et al.**

(10) **Patent No.:** **US D679,311 S**

(45) **Date of Patent:** **\*\* Apr. 2, 2013**

(54) **MICRO PROJECTOR**

(75) Inventors: **Hui-Hsien Wu**, Hsin-Chu (TW);  
**Wei-Hong Chen**, Hsin-Chu (TW); **Heng Liu**, Hsin-Chu (TW)

(73) Assignee: **Aiptek International Inc.**, Hsin-Chu (TW)

(\*\*) Term: **14 Years**

(21) Appl. No.: **29/410,043**

(22) Filed: **Jan. 3, 2012**

(51) **LOC (9) Cl.** ..... **16-02**

(52) **U.S. Cl.** ..... **D16/225; D16/230**

(58) **Field of Classification Search** ..... D16/205,  
D16/208, 221, 225, 230-231, 234; D21/514;  
352/34, 242; 353/39, 115, 119, 122  
See application file for complete search history.

(56) **References Cited**

**U.S. PATENT DOCUMENTS**

D331,768 S *	12/1992	Saeki et al.	.....	D16/225
D374,024 S *	9/1996	Onoda	.....	D16/221
D454,903 S *	3/2002	Kawamoto et al.	.....	D16/231
7,874,684 B2 *	1/2011	Chang	.....	353/119

\* cited by examiner

*Primary Examiner* — Wan Laymon

(74) *Attorney, Agent, or Firm* — Shimokaji & Associates P.C.

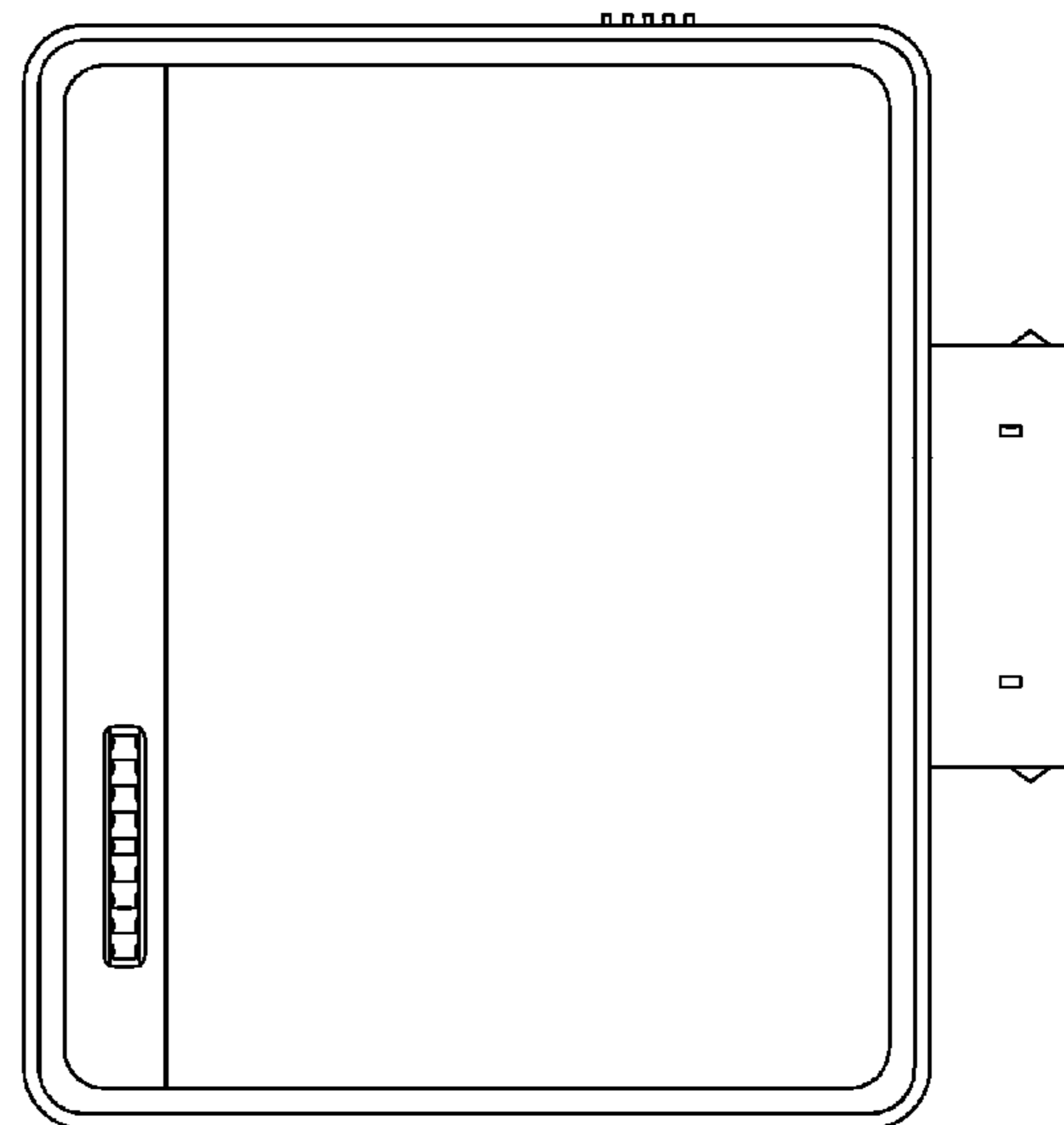
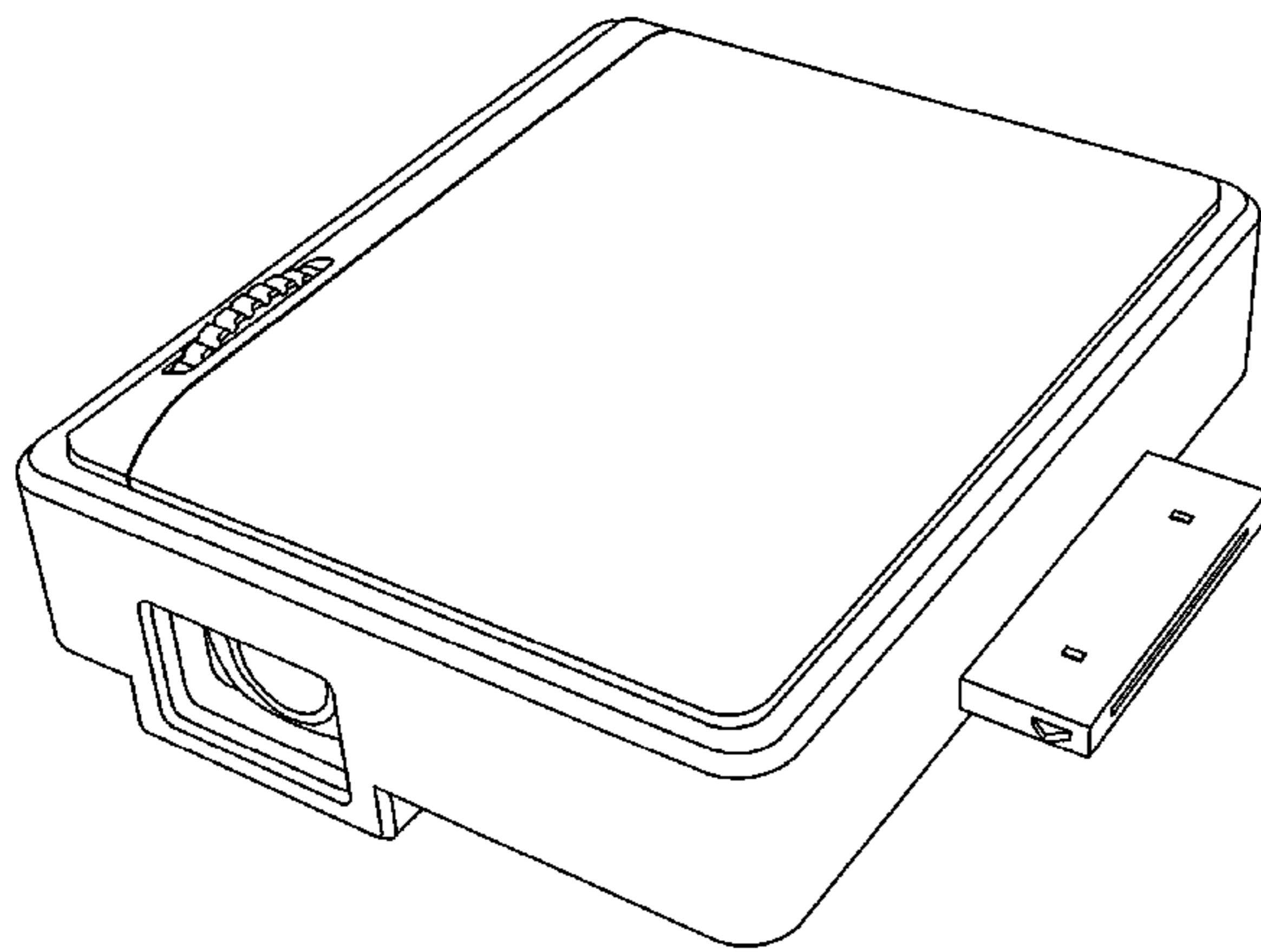
(57) **CLAIM**

The ornamental design for a micro projector, as shown and described.

**DESCRIPTION**

FIG. 1 is a front perspective view of a micro projector in accordance with the present invention;  
 FIG. 2 is a front elevational view of the micro projector of FIG. 1;  
 FIG. 3 is a rear elevational view of the micro projector of FIG. 1;  
 FIG. 4 is a right side elevational view of the micro projector of FIG. 1;  
 FIG. 5 is a left side elevational view of the micro projector of FIG. 1;  
 FIG. 6 is a top plan view of the micro projector of FIG. 1; and,  
 FIG. 7 is a bottom plan view of the micro projector of FIG. 1.  
 The broken lines in FIGS. 3 and 4 are included for the purpose of illustrating portions of the micro projector that form no part of the claimed design.

**1 Claim, 5 Drawing Sheets**



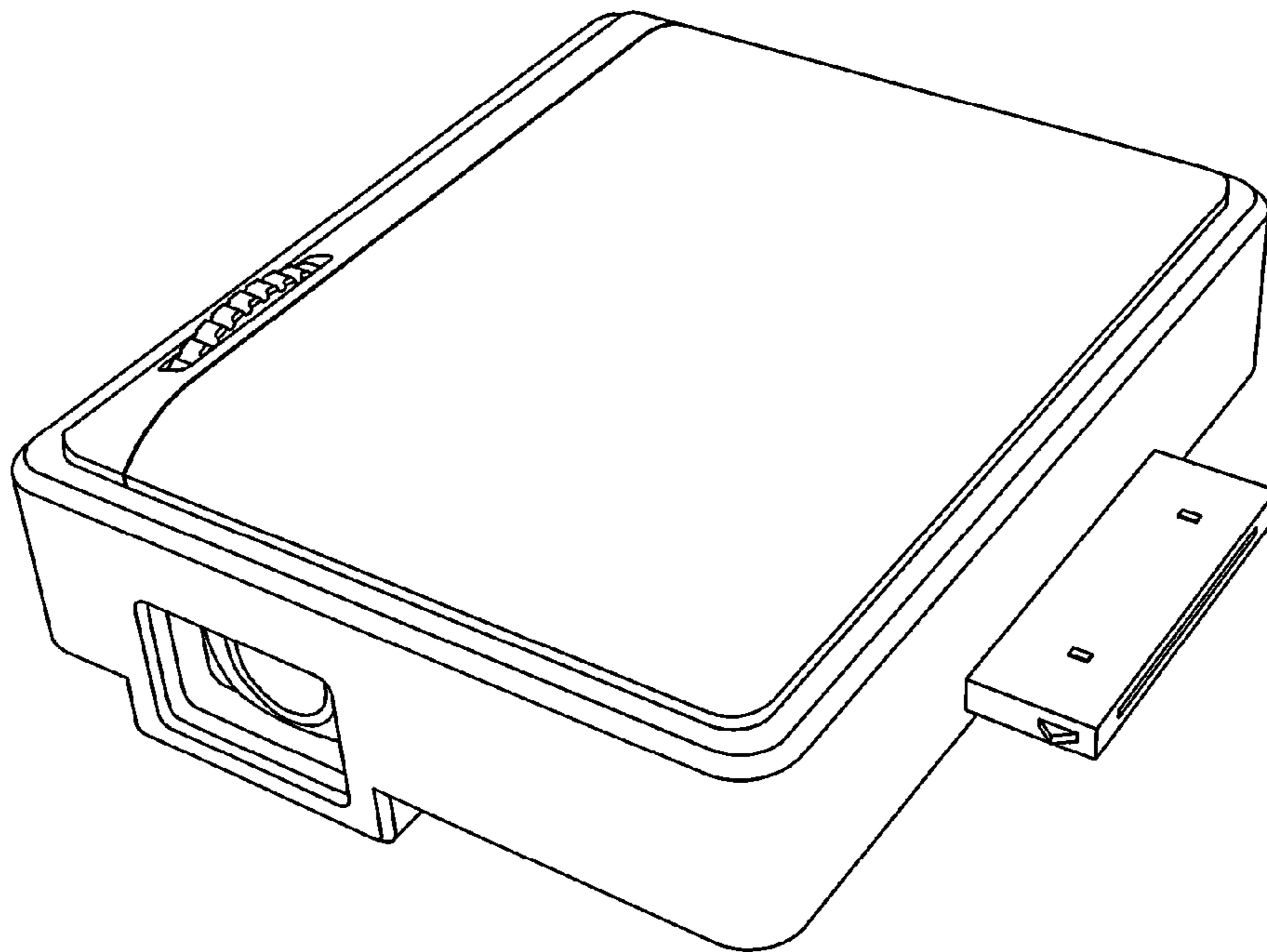


Fig. 1

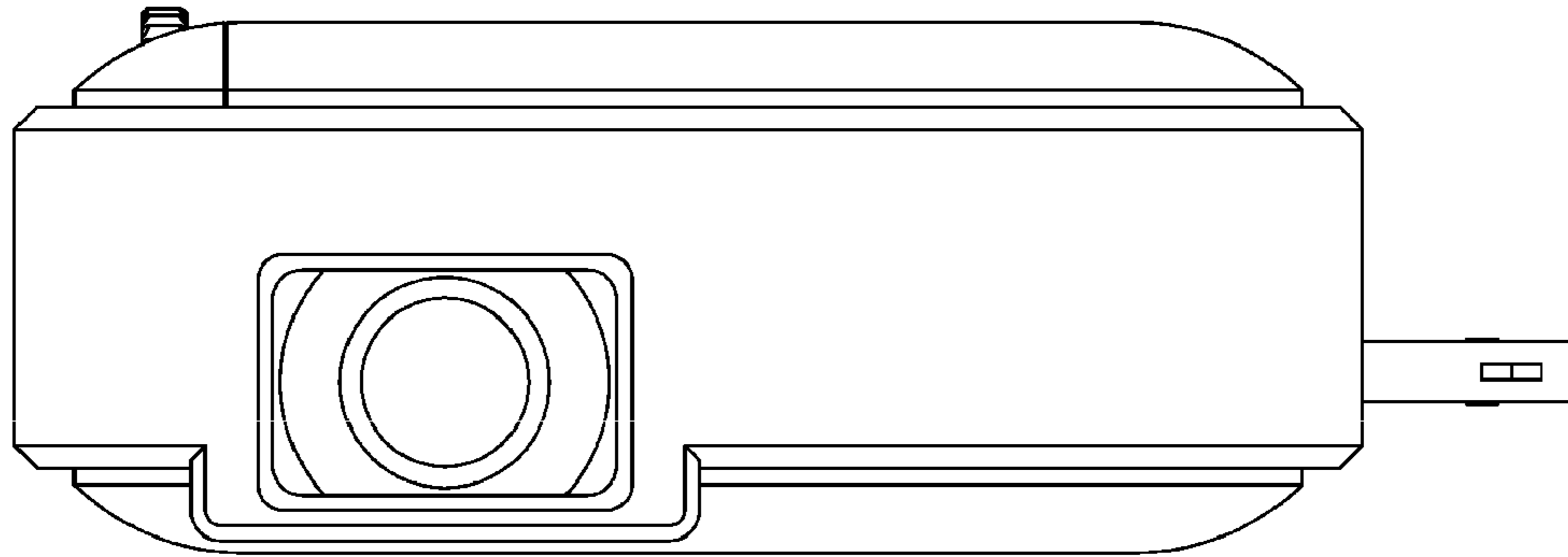


Fig. 2

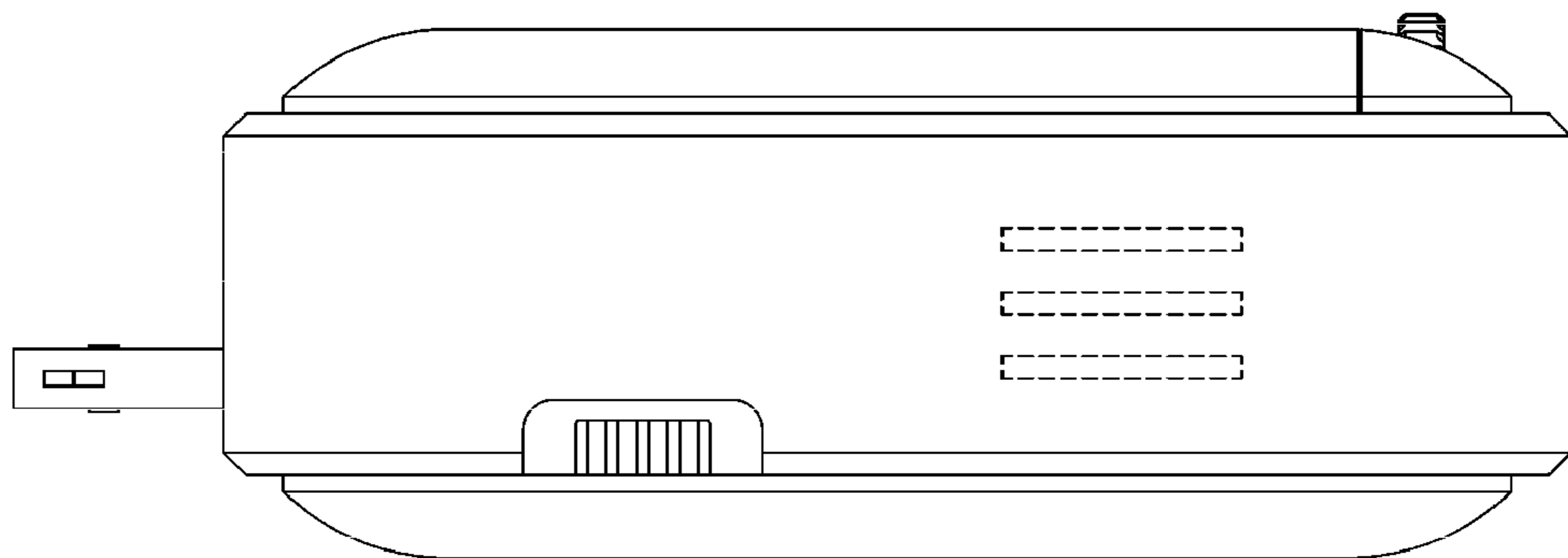


Fig. 3

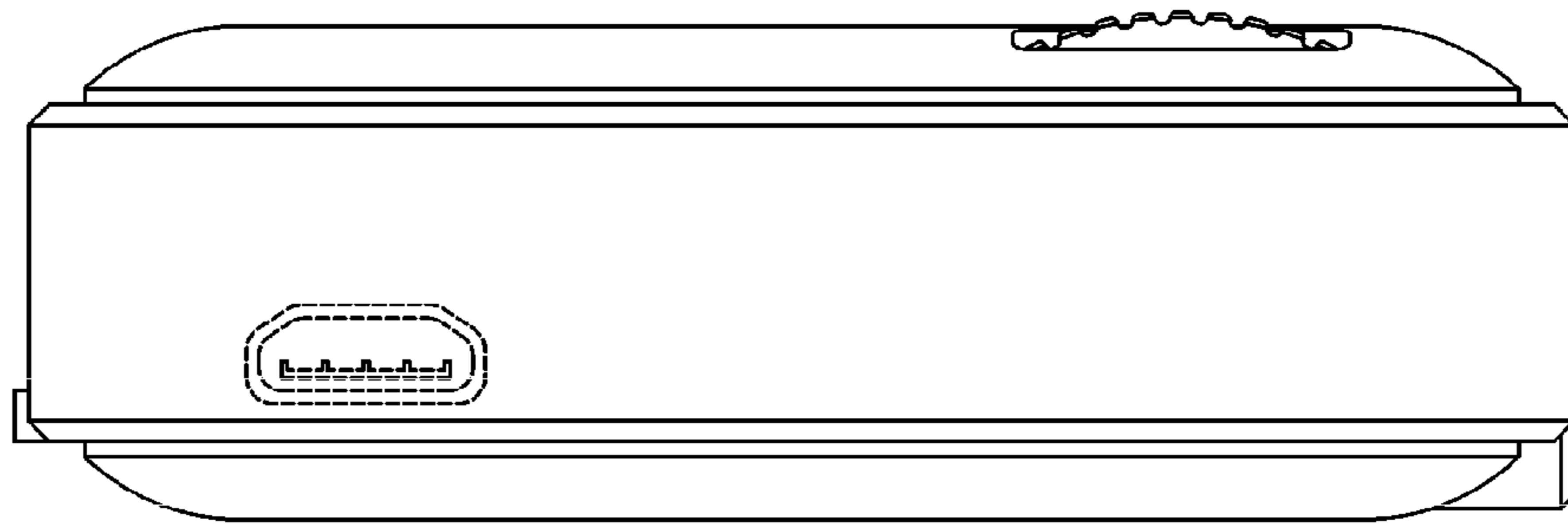


Fig. 4

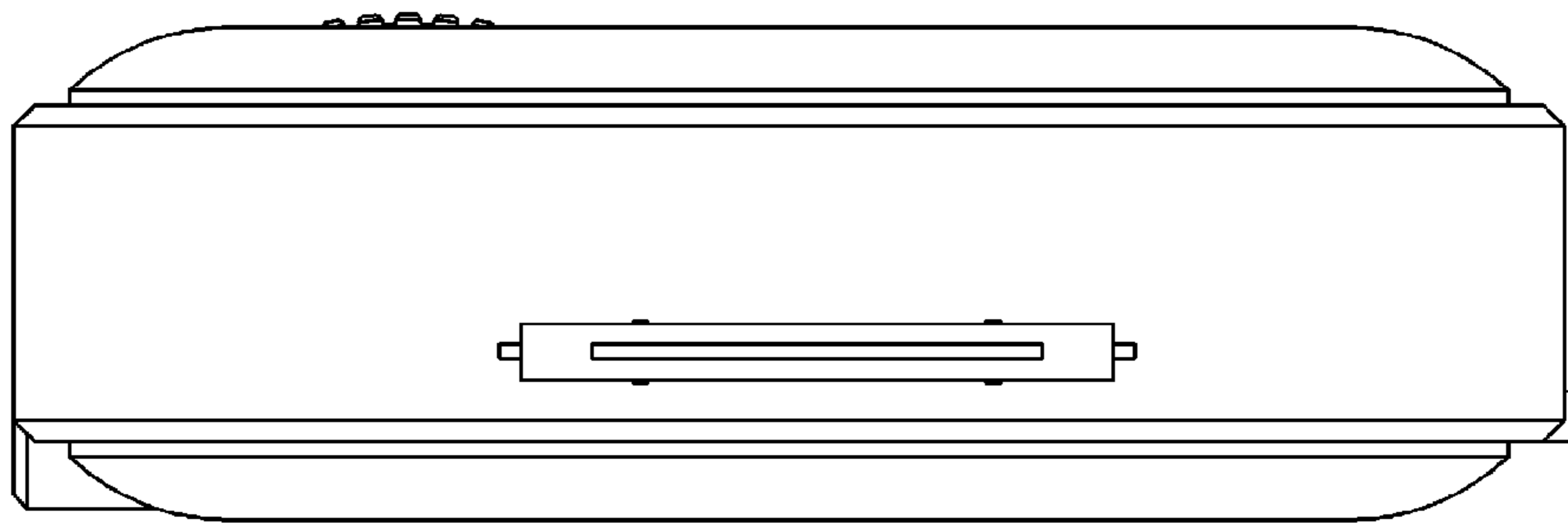


Fig. 5

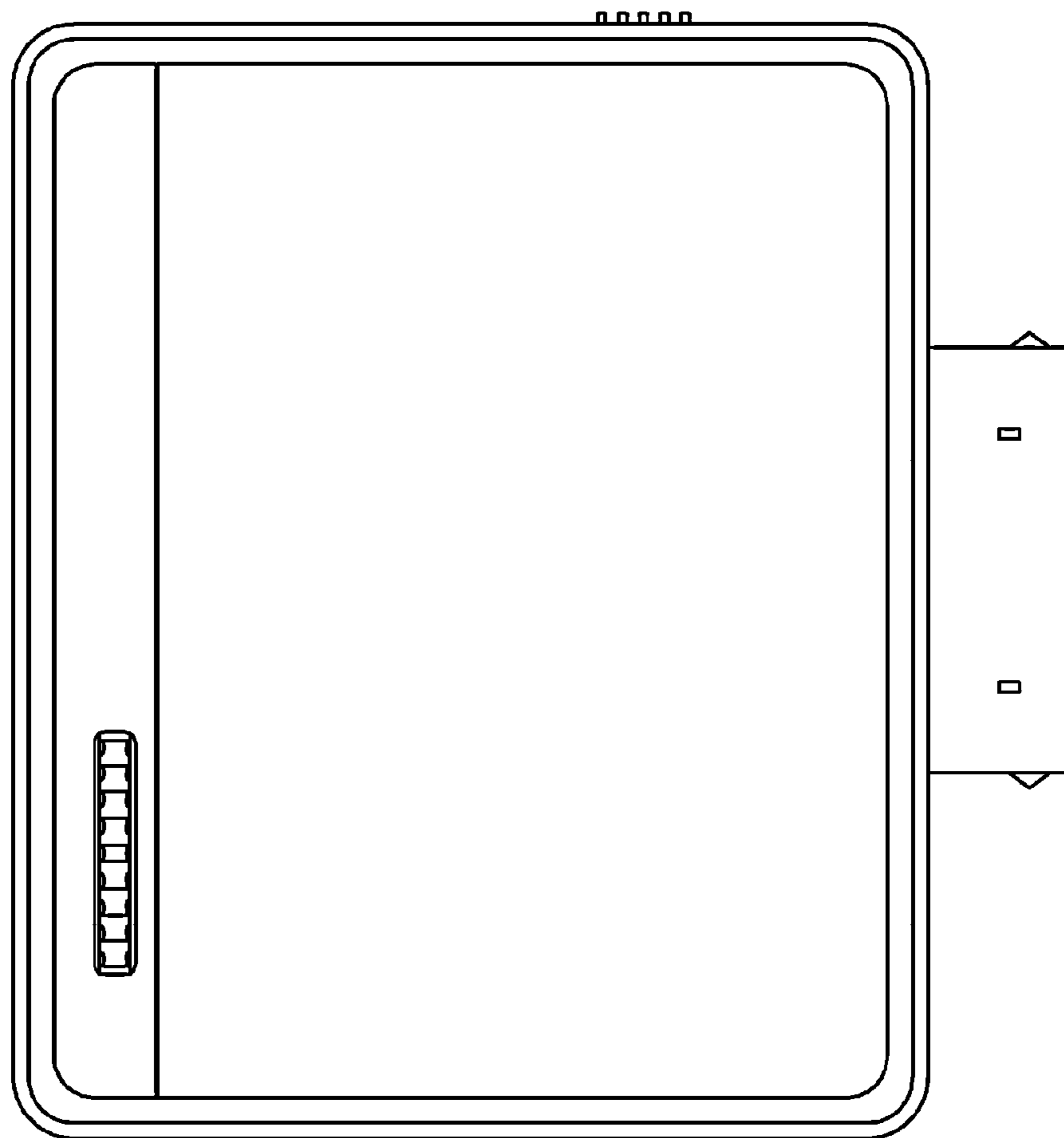


Fig. 6

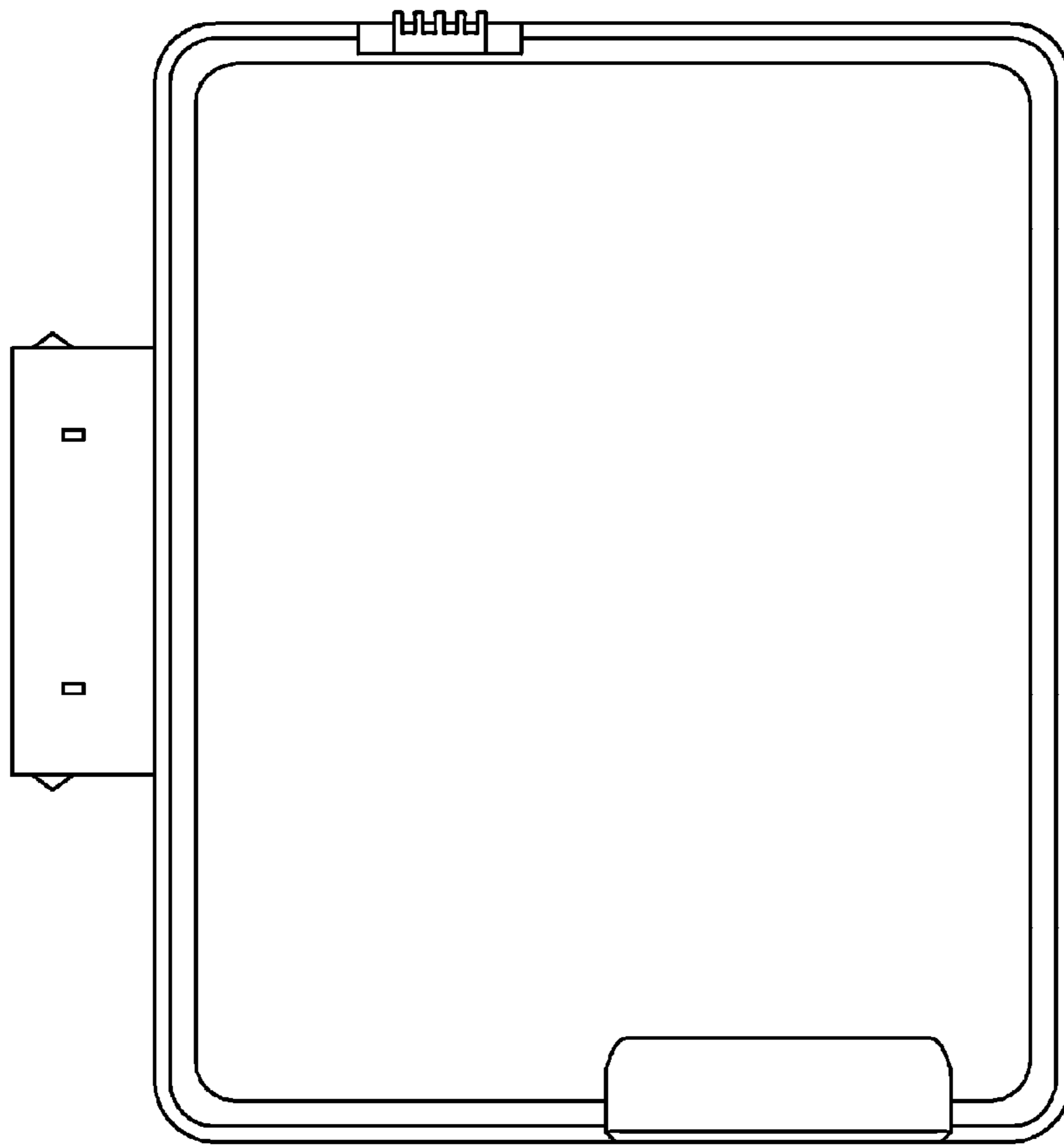


Fig. 7