



US00D679310S

(12) **United States Design Patent**
Wu

(10) **Patent No.:** **US D679,310 S**

(45) **Date of Patent:** **** Apr. 2, 2013**

(54) **INFRARED CAMERA**

(75) Inventor: **Jiping Wu**, Guangzhou (CN)

(73) Assignee: **Guangzhou Sat Infrared Technology**
(CN)

(**) Term: **14 Years**

(21) Appl. No.: **29/386,618**

(22) Filed: **Mar. 3, 2011**

(30) **Foreign Application Priority Data**

Sep. 6, 2010 (CN) 2010 3 0506719

Jan. 25, 2011 (EP) 001810417-0004

(51) **LOC (9) Cl.** **16-05**

(52) **U.S. Cl.** **D16/219**

(58) **Field of Classification Search** D16/200–205,
D16/208, 218, 219; 348/164, 373; 358/906;
396/535–541

See application file for complete search history.

(56) **References Cited**

U.S. PATENT DOCUMENTS

D486,845 S * 2/2004 Oka D16/202

D528,141 S * 9/2006 Kinemura et al. D16/202

D557,300 S * 12/2007 Wu D16/202

D559,879 S * 1/2008 Sumita D16/202

D598,039 S * 8/2009 Owada D16/219

D605,212 S * 12/2009 Mori et al. D16/202

D609,728 S * 2/2010 Tashima D16/202

D629,434 S * 12/2010 Kawahara D16/202

7,927,029 B2 * 4/2011 Fujii et al. 396/448

8,010,311 B1 * 8/2011 Warnke et al. 348/164

* cited by examiner

Primary Examiner — Adir Aronovich

(74) *Attorney, Agent, or Firm* — Ballard Spahr LLP

(57) **CLAIM**

I claim the ornamental design for an infrared camera, as shown and described.

DESCRIPTION

FIG. 1 is a left side elevational view of an infrared camera showing my new design;

FIG. 2 is a bottom plan view thereof;

FIG. 3 is a top plan view thereof;

FIG. 4 is a right side elevational view thereof;

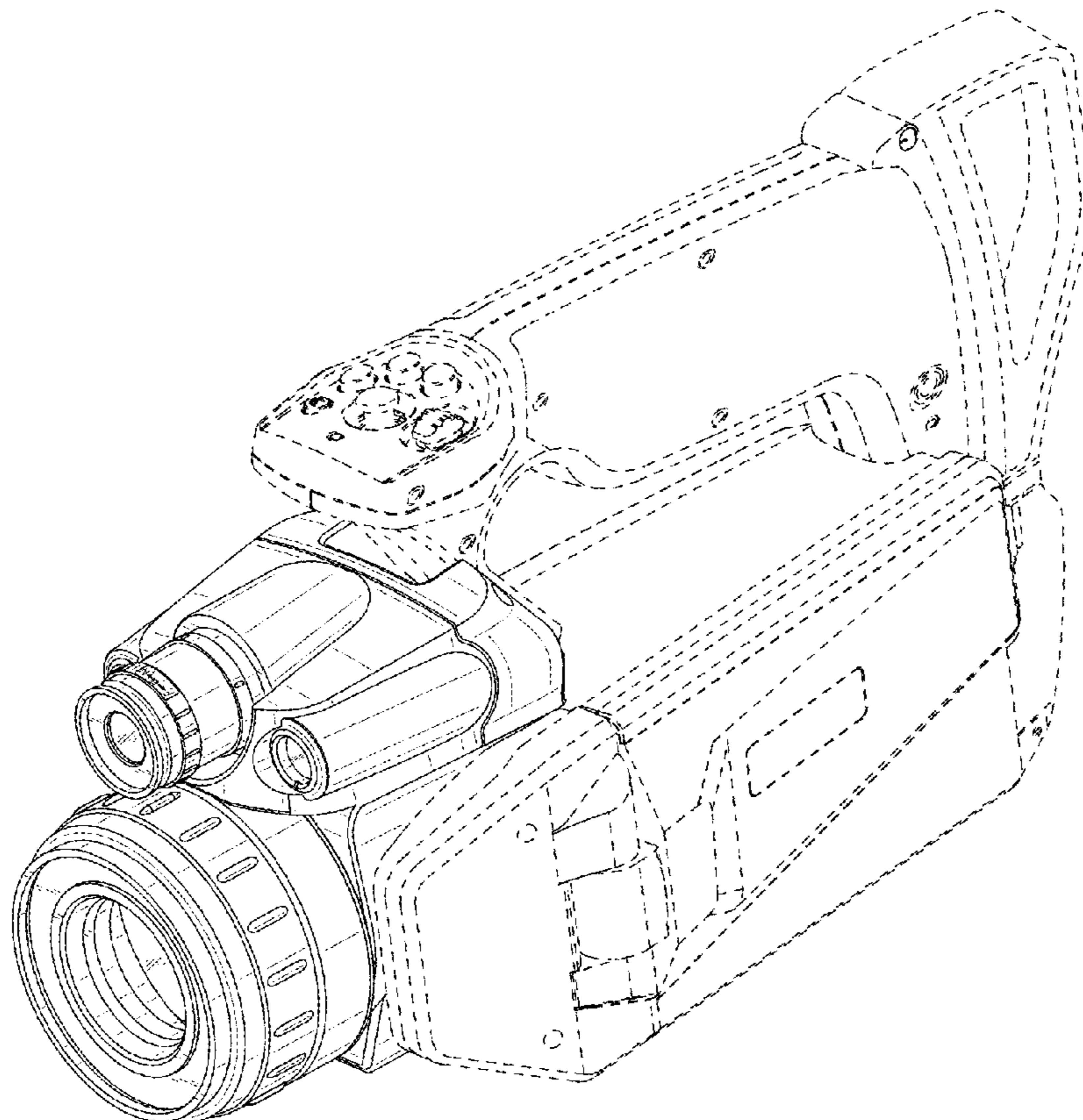
FIG. 5 is a rear elevational view thereof;

FIG. 6 is a front elevational view thereof; and,

FIG. 7 is a front and left side perspective view thereof.

The broken lines in FIGS. 1-6 are for illustrative purposes only and form no part of the claimed design.

1 Claim, 4 Drawing Sheets



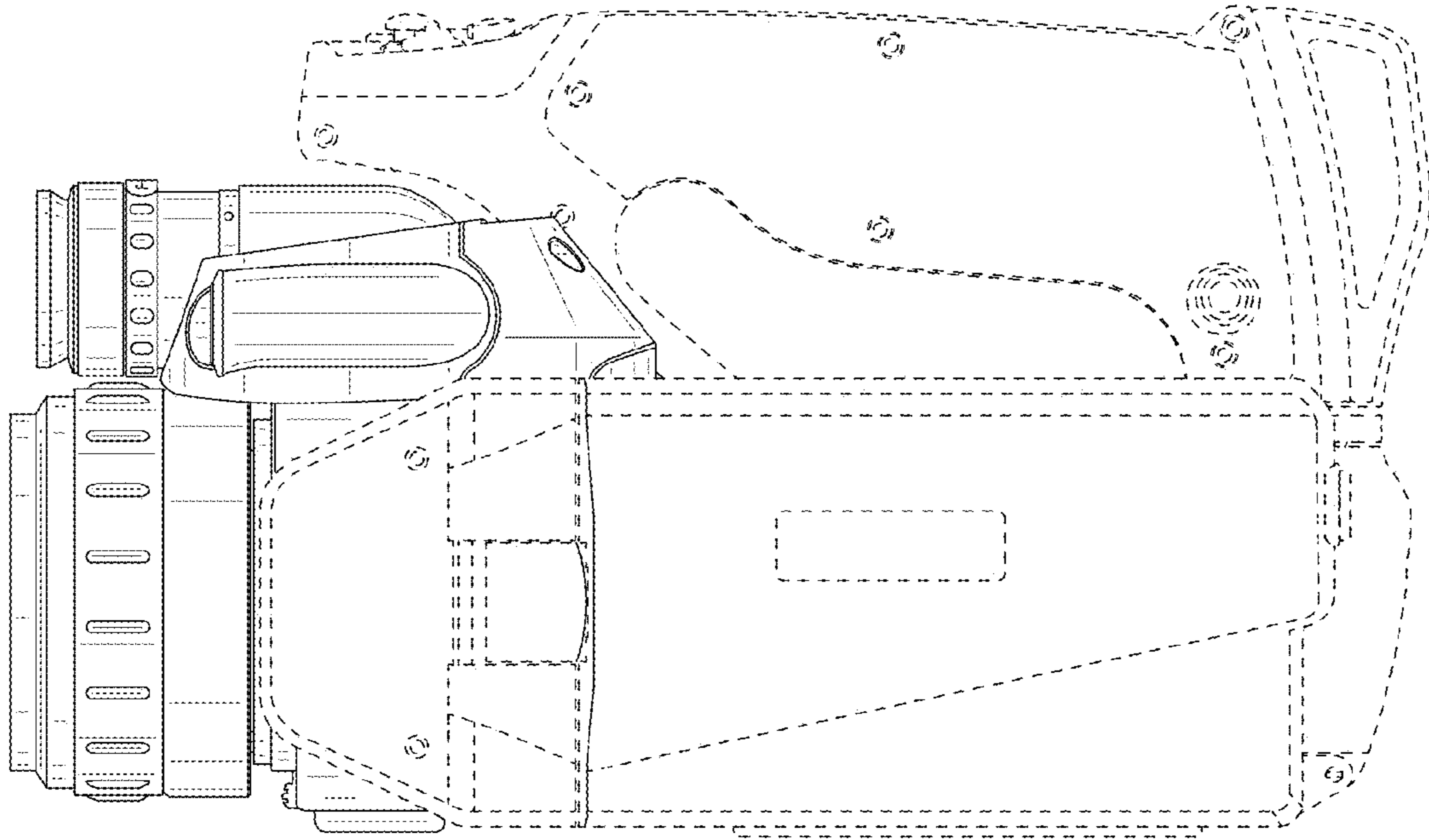


FIG. 1

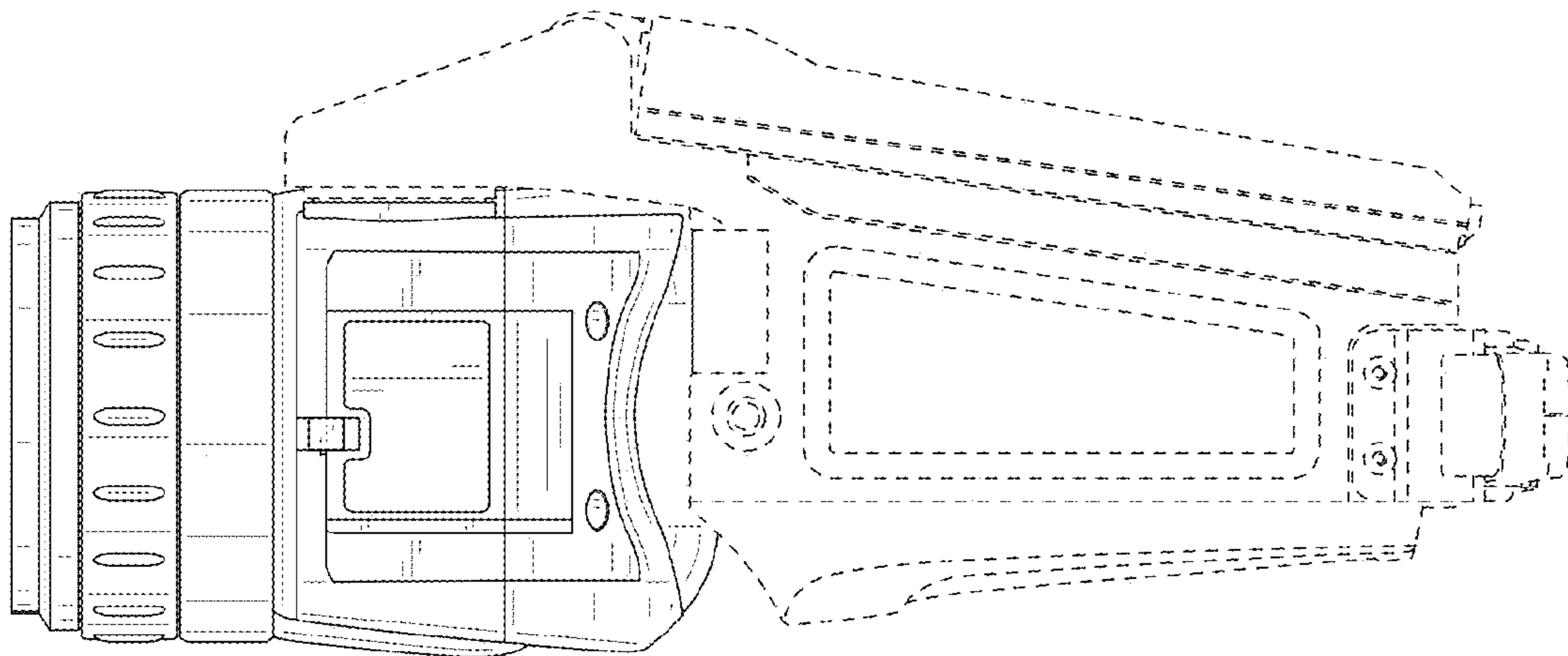


FIG. 2

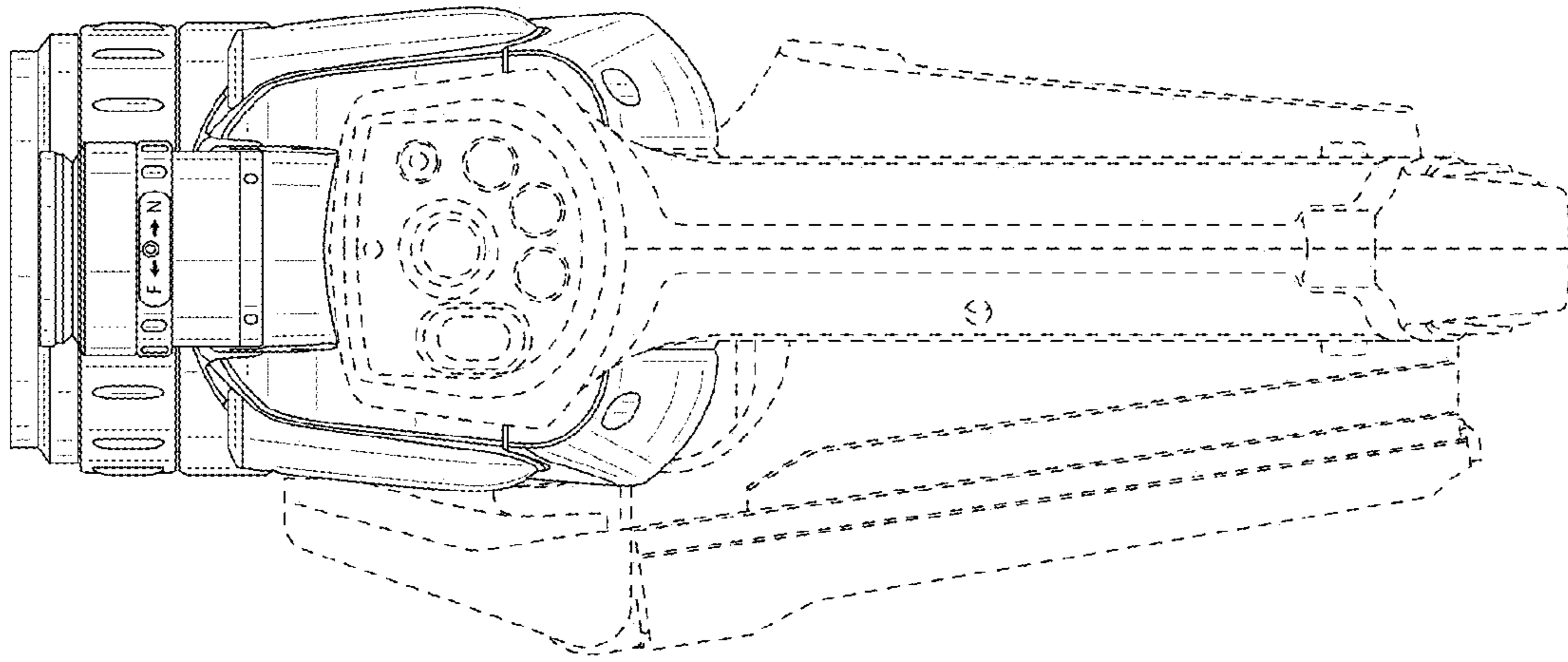


FIG. 3

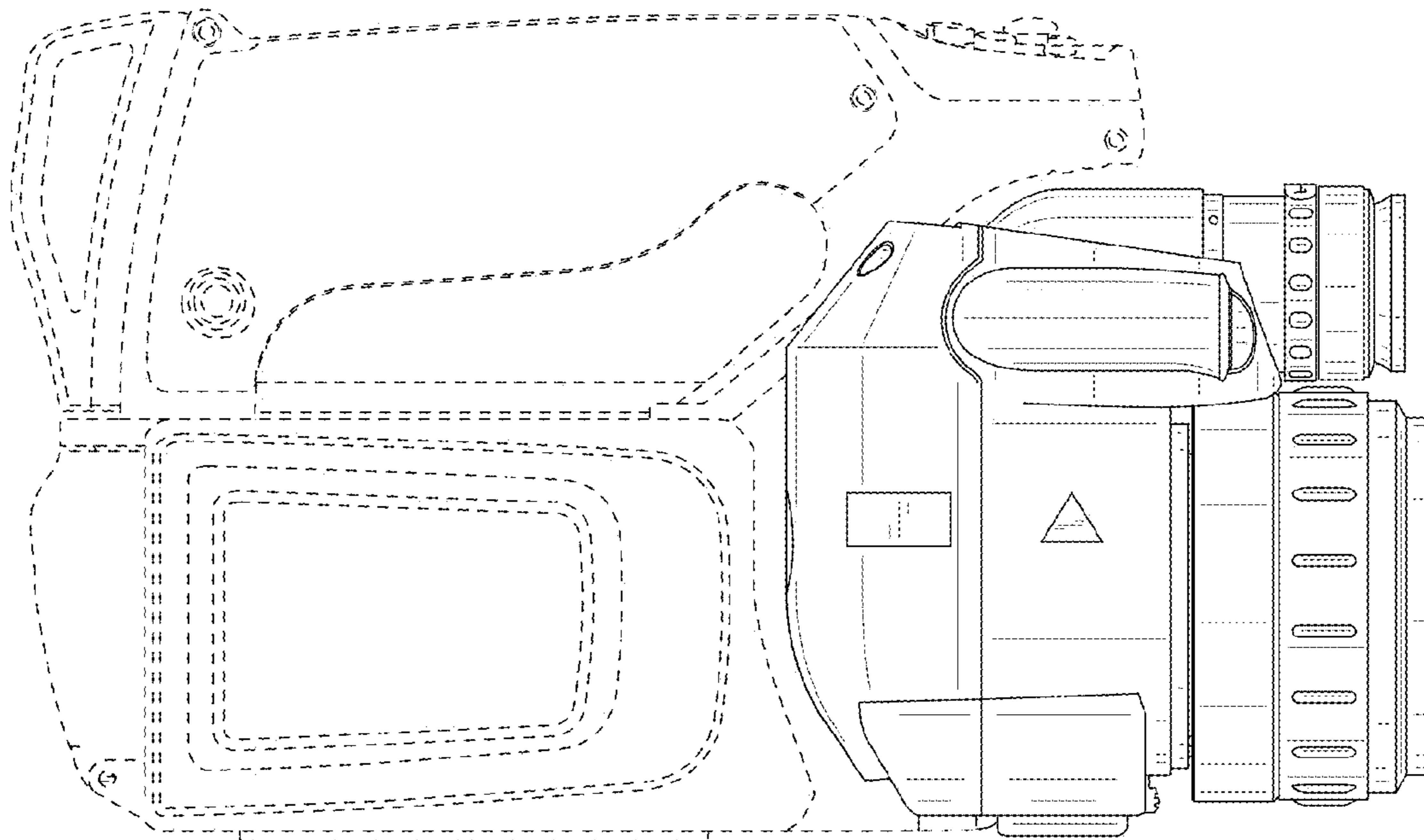


FIG. 4

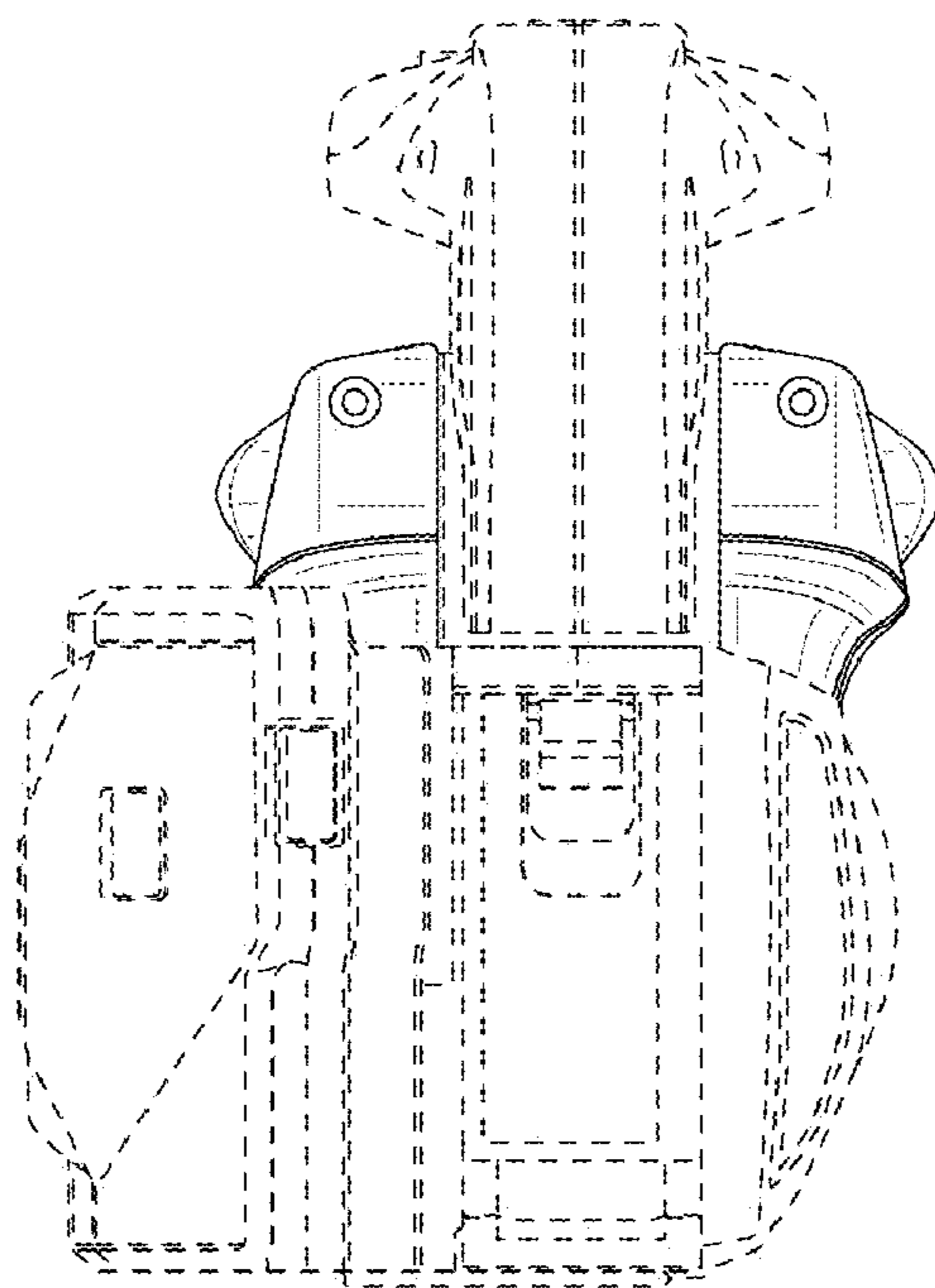


FIG. 5

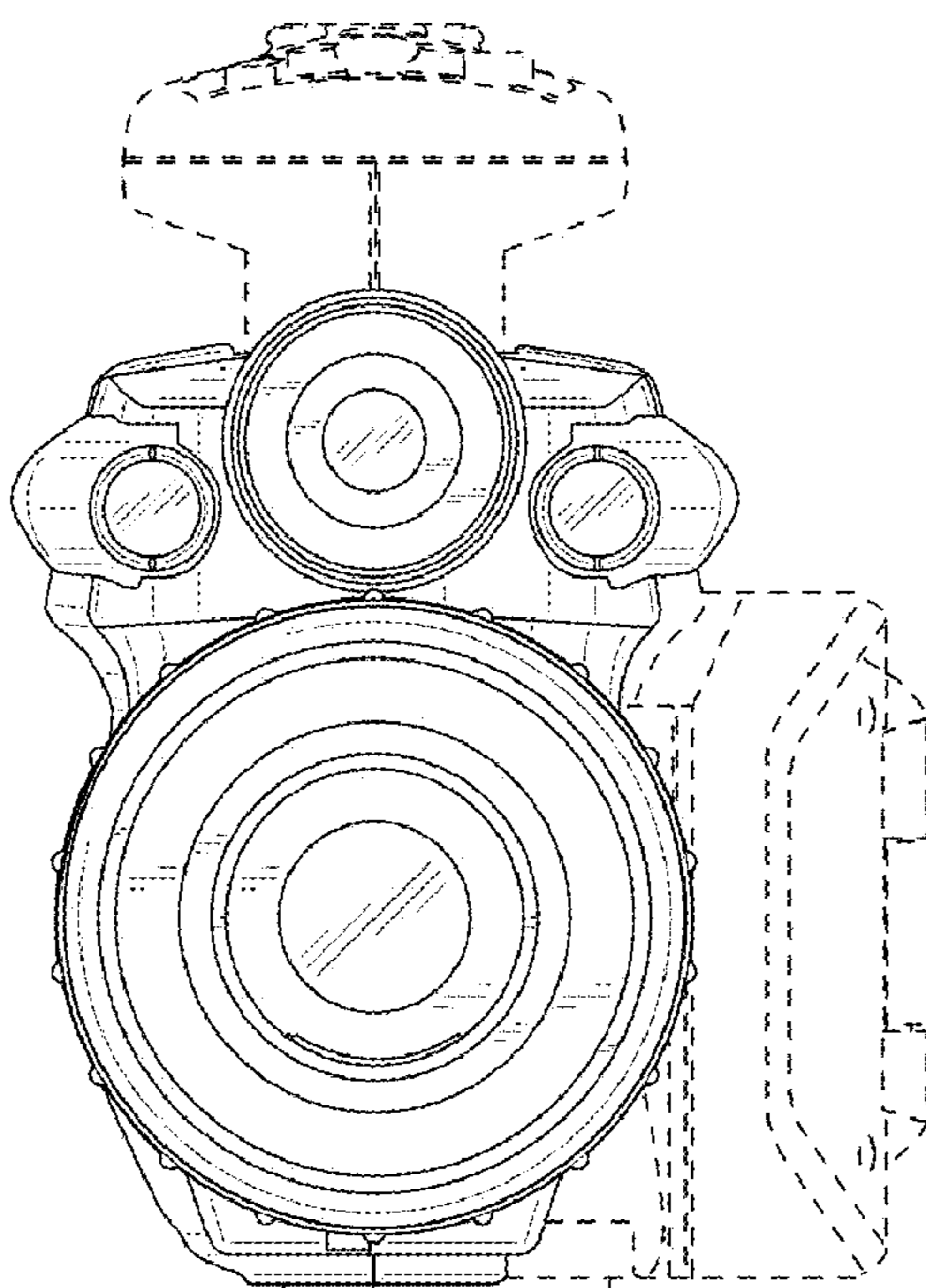


FIG. 6

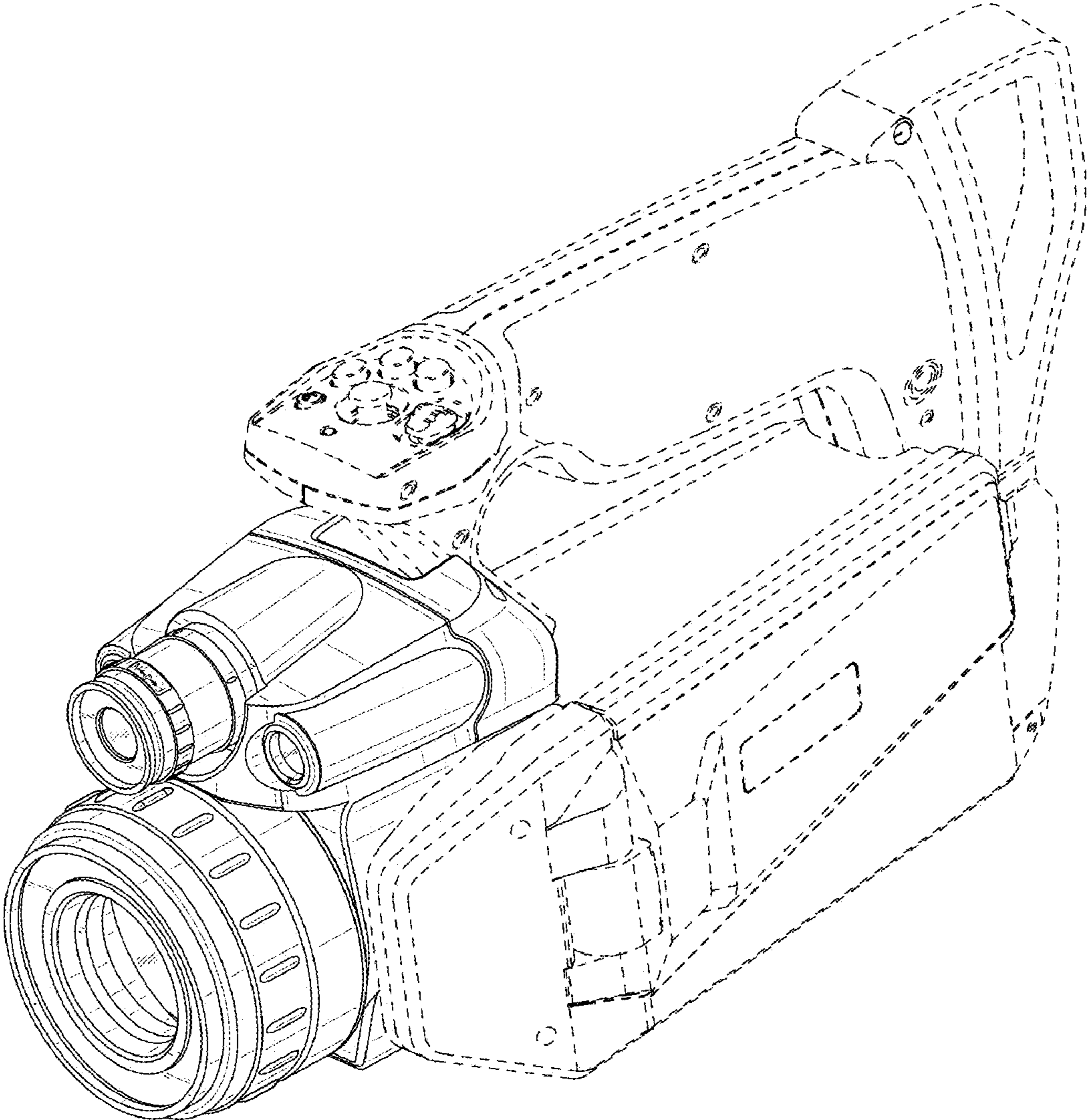


FIG. 7