



US00D679308S

(12) **United States Design Patent**
Park et al.

(10) **Patent No.:** **US D679,308 S**
(45) **Date of Patent:** **** Apr. 2, 2013**

(54) **MONITORING CAMERA**

(75) Inventors: **Won-myung Park**, Changwon (KR);
Seung-hun Lee, Seoul (KR)

(73) Assignee: **Samsung Techwin Co., Ltd.**, Changwon
(KR)

(**) Term: **14 Years**

(21) Appl. No.: **29/391,234**

(22) Filed: **May 5, 2011**

(51) **LOC (9) Cl.** **16-01**

(52) **U.S. Cl.** **D16/203; D16/242**

(58) **Field of Classification Search** D16/202,
D16/203, 204, 208, 242; 248/187.1; 352/243;
348/143, 373; 396/419, 427, 535, 540, 541
See application file for complete search history.

(56) **References Cited**

U.S. PATENT DOCUMENTS

D349,296 S * 8/1994 Ichiyoshi D16/242
D474,489 S * 5/2003 Kawashima D16/203
D494,991 S * 8/2004 Yatabe D16/202

D541,326 S * 4/2007 Ford et al. D16/203
D550,740 S * 9/2007 Satoh et al. D16/203
D619,158 S * 7/2010 Frank et al. D16/242
2004/0095506 A1 * 5/2004 Scott 348/373

* cited by examiner

Primary Examiner — Adir Aronovich

(74) *Attorney, Agent, or Firm* — Sughrue Mion, PLLC

(57) **CLAIM**

The ornamental design for a monitoring camera, as shown and described.

DESCRIPTION

FIG. 1 is a front perspective view of a monitoring camera showing our new design;
FIG. 2 is a front elevational view of the monitoring camera;
FIG. 3 is a rear elevational view of the monitoring camera;
FIG. 4 is a left side elevational view of the monitoring camera;
FIG. 5 is a right side elevational view of the monitoring camera;
FIG. 6 is a top plan view of the monitoring camera;
FIG. 7 is a bottom plan view of the monitoring camera; and,
FIG. 8 is a rear perspective view of the monitoring camera.

1 Claim, 6 Drawing Sheets

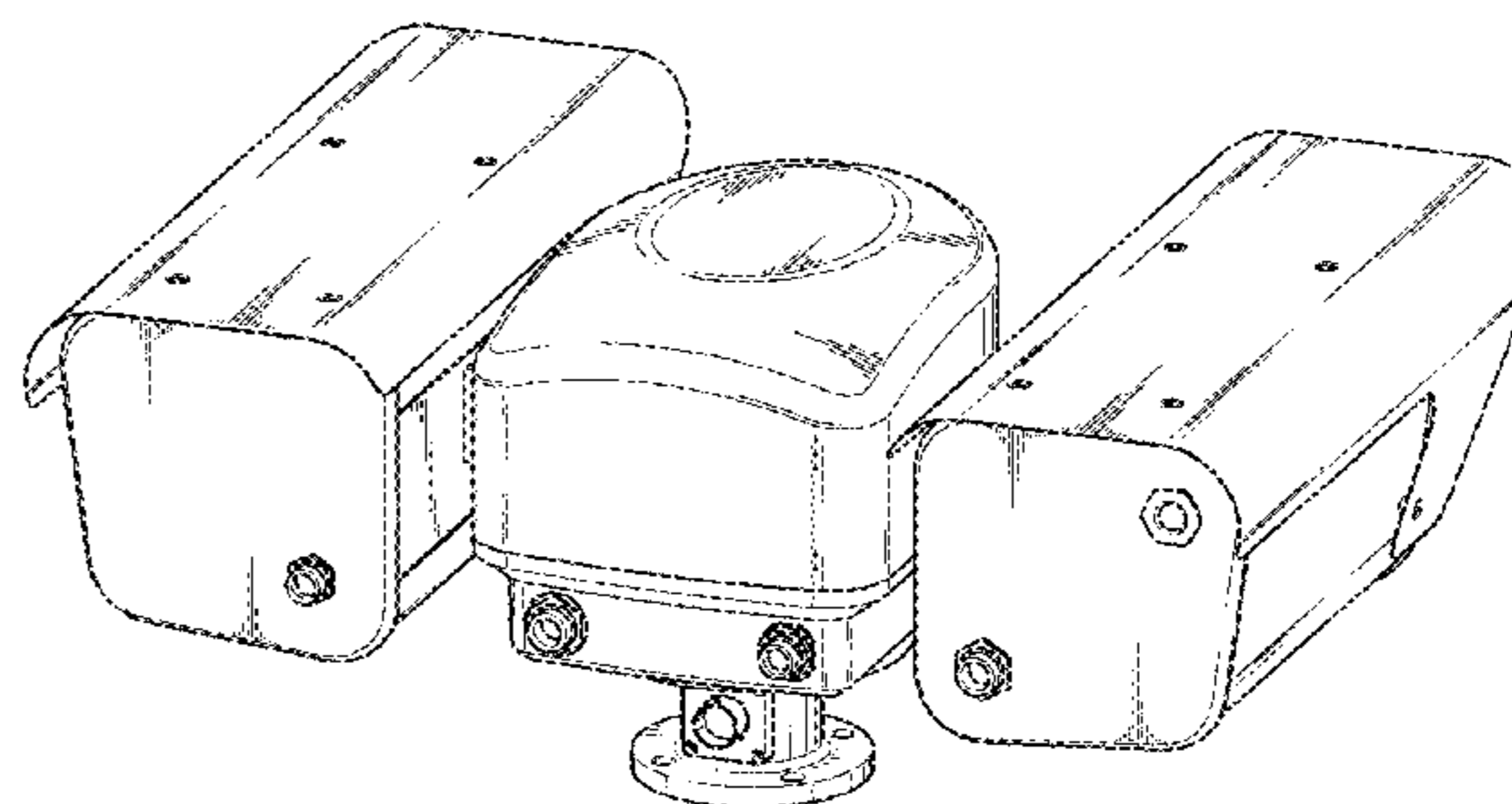
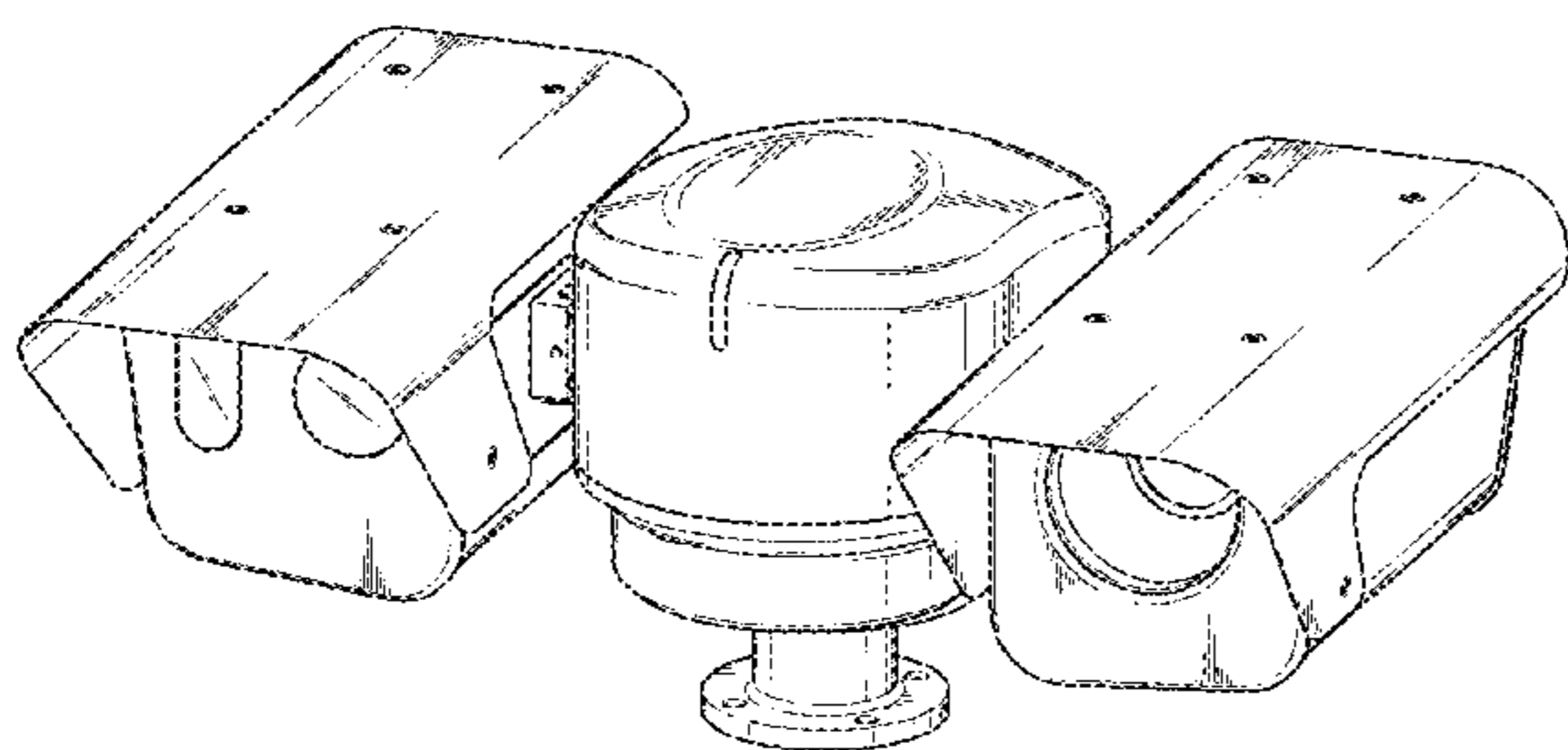


FIG. 1

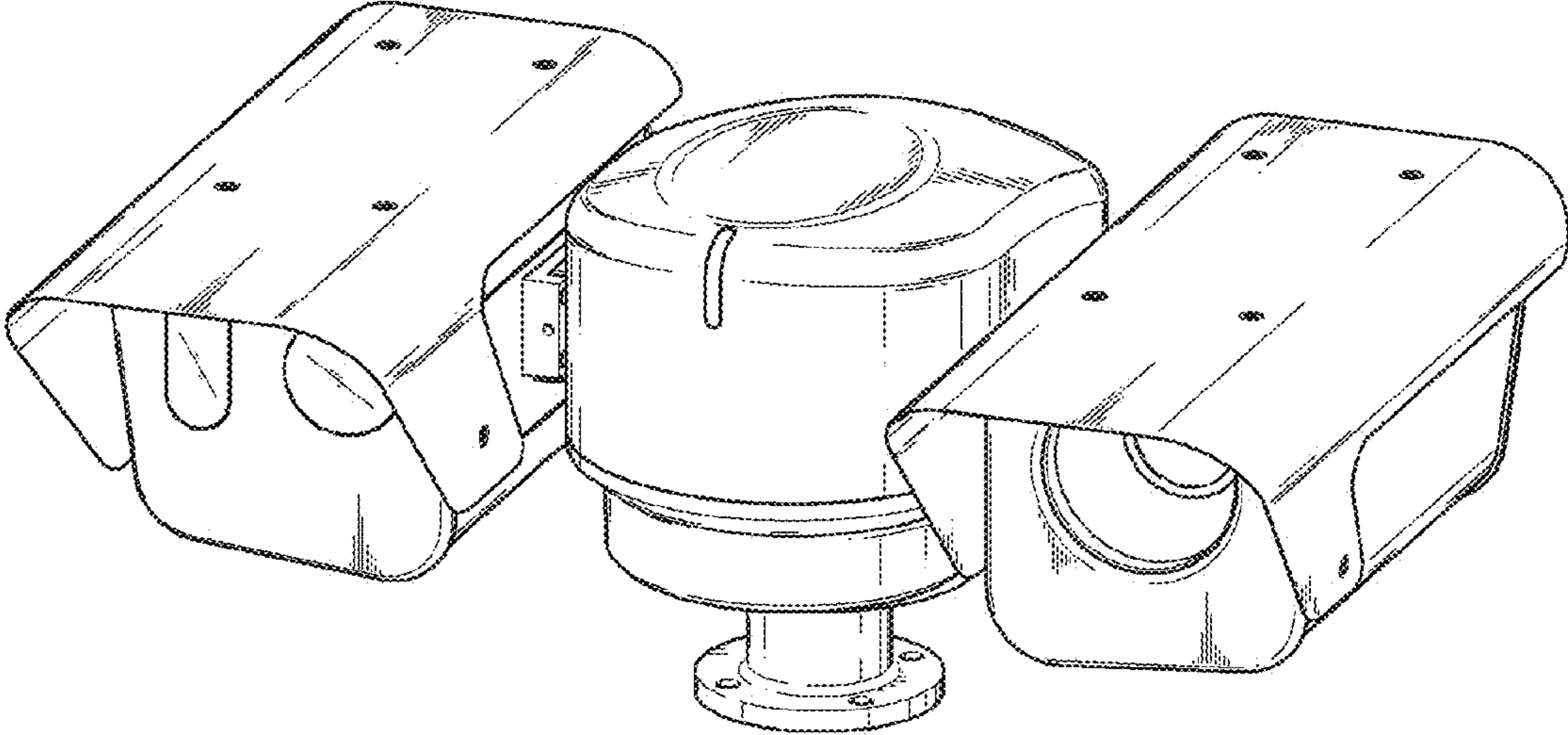


FIG. 2

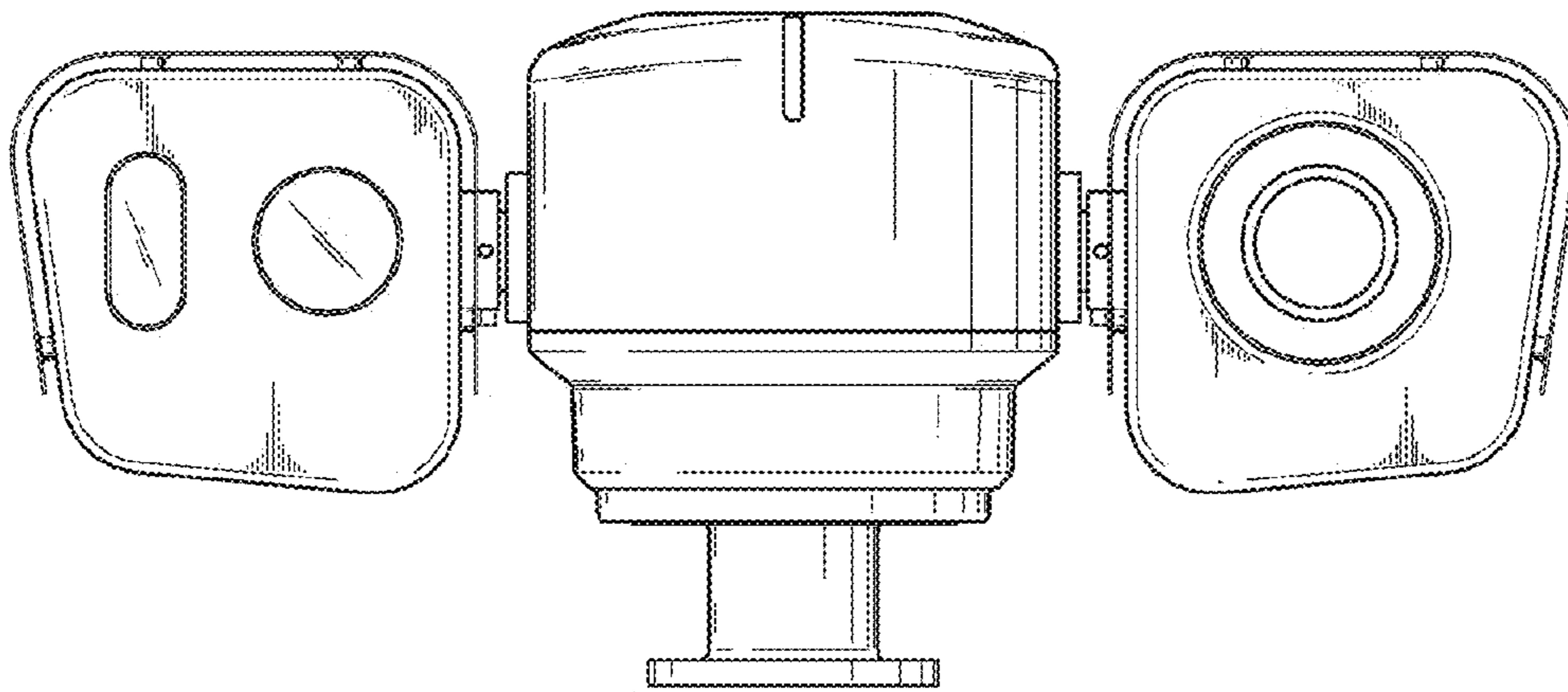


FIG. 3

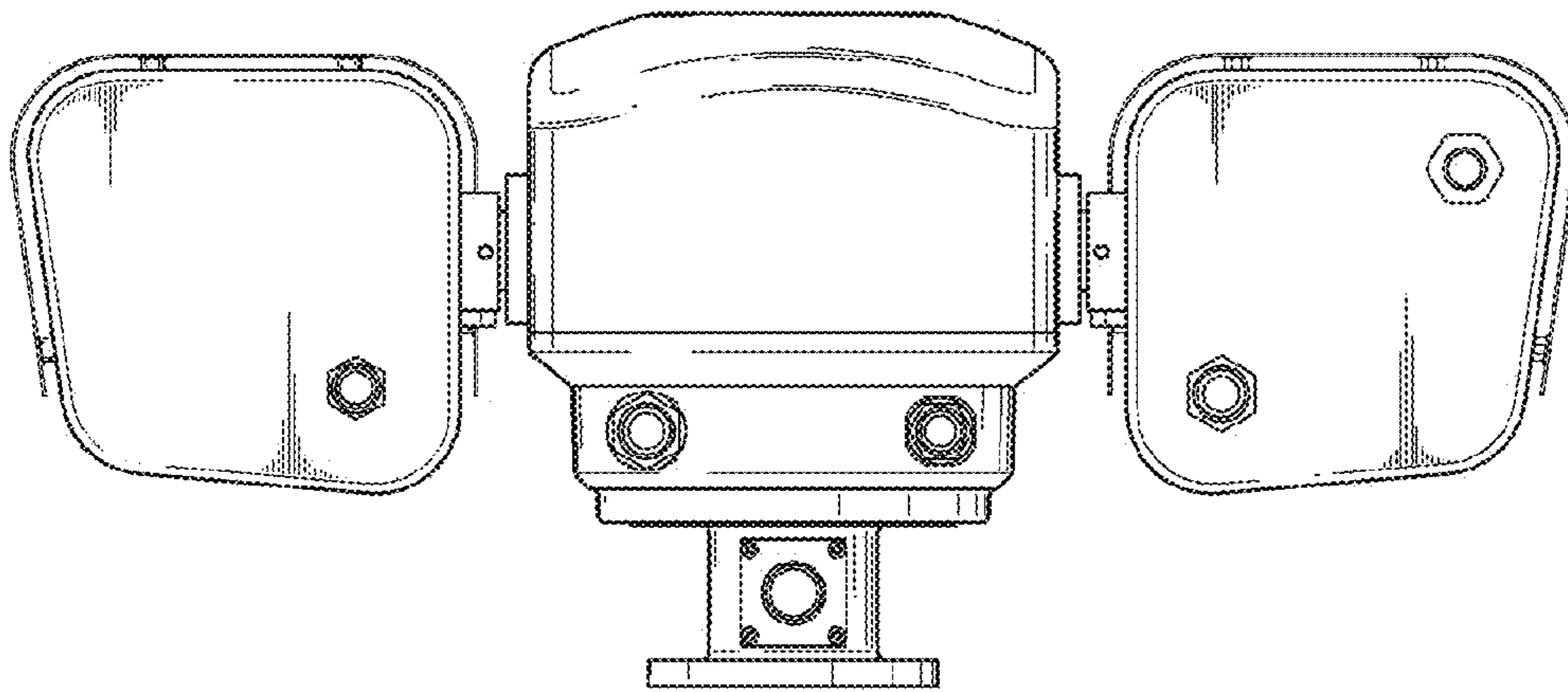


FIG. 4

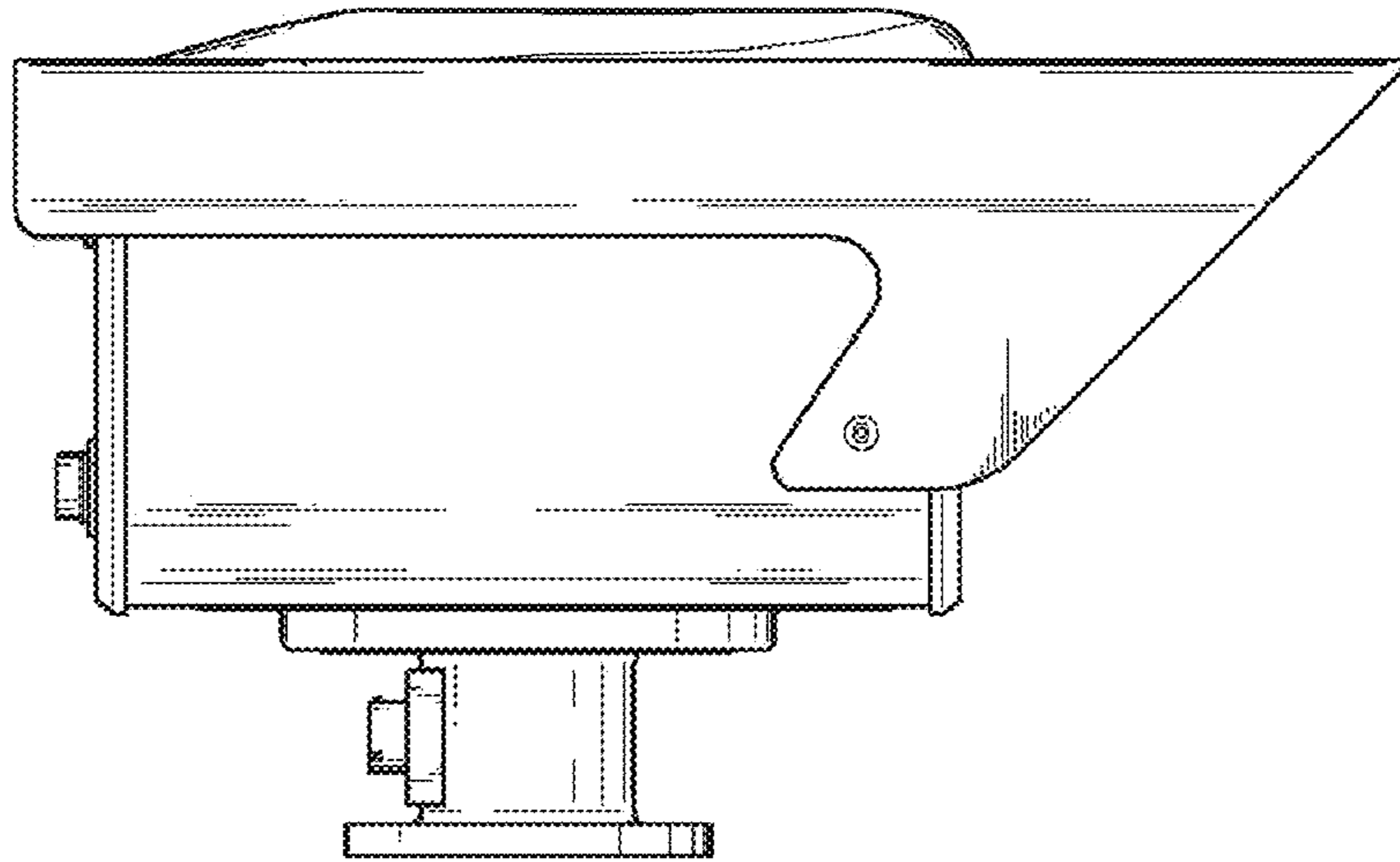


FIG. 5

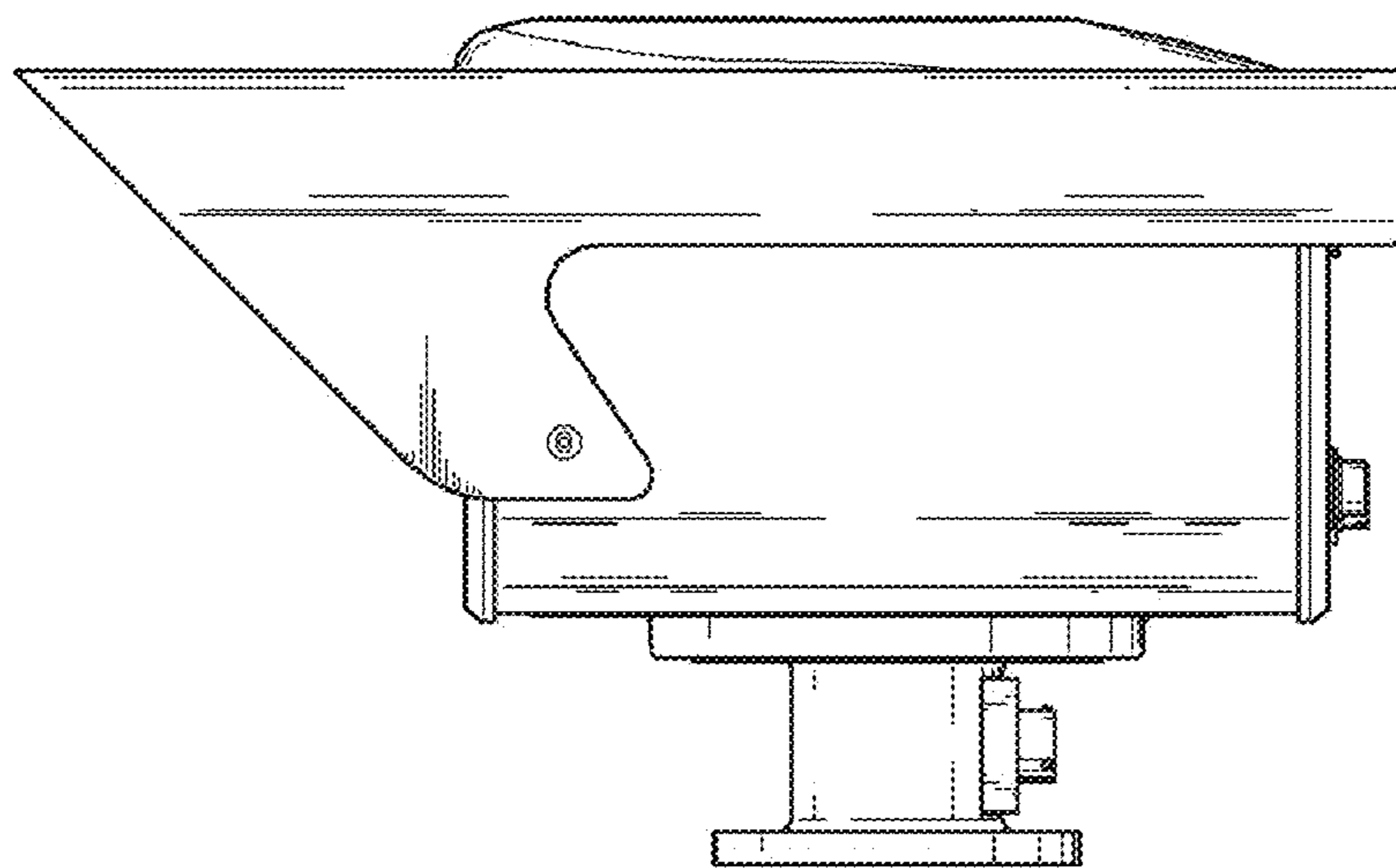


FIG. 6

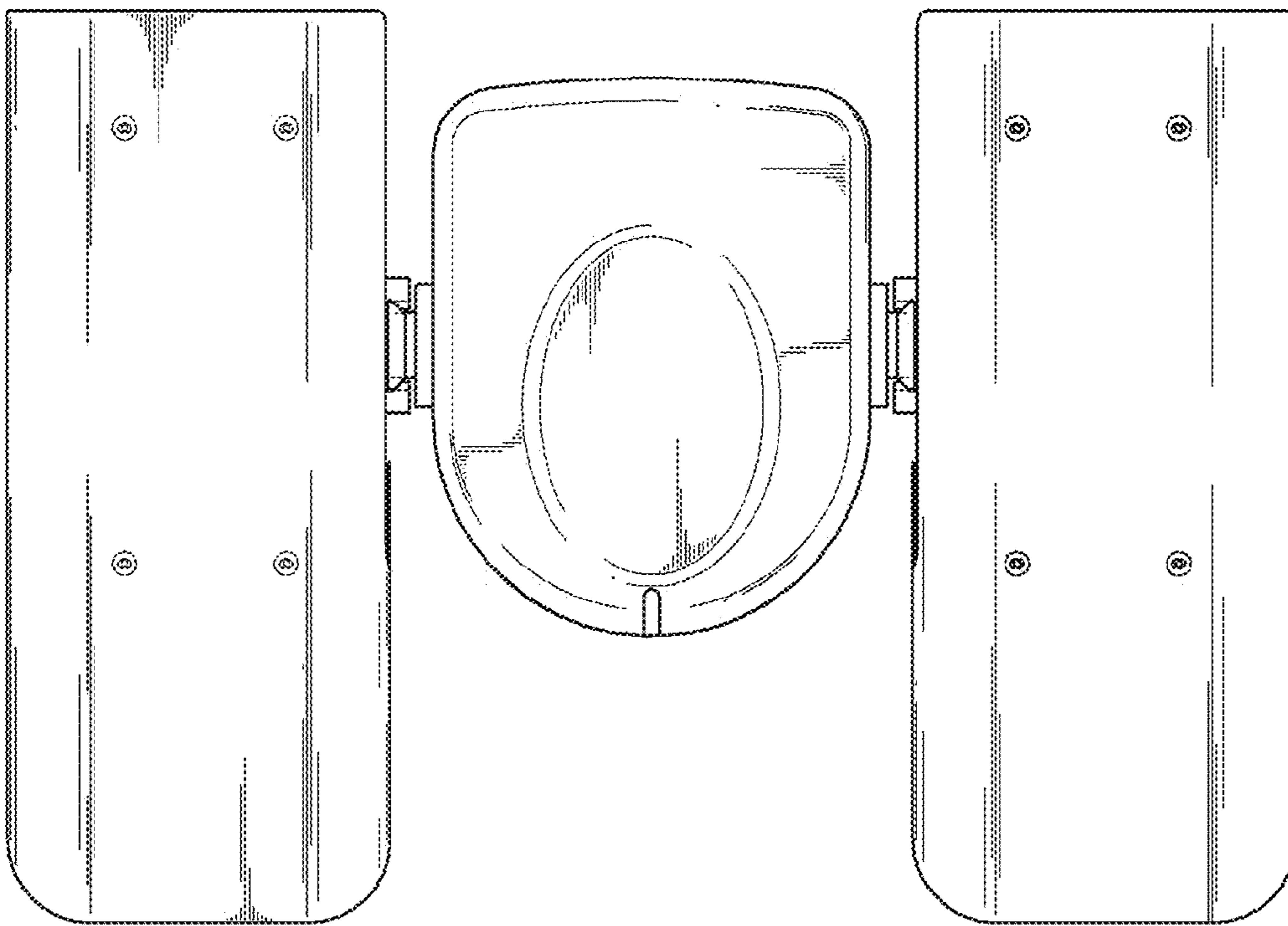


FIG. 7

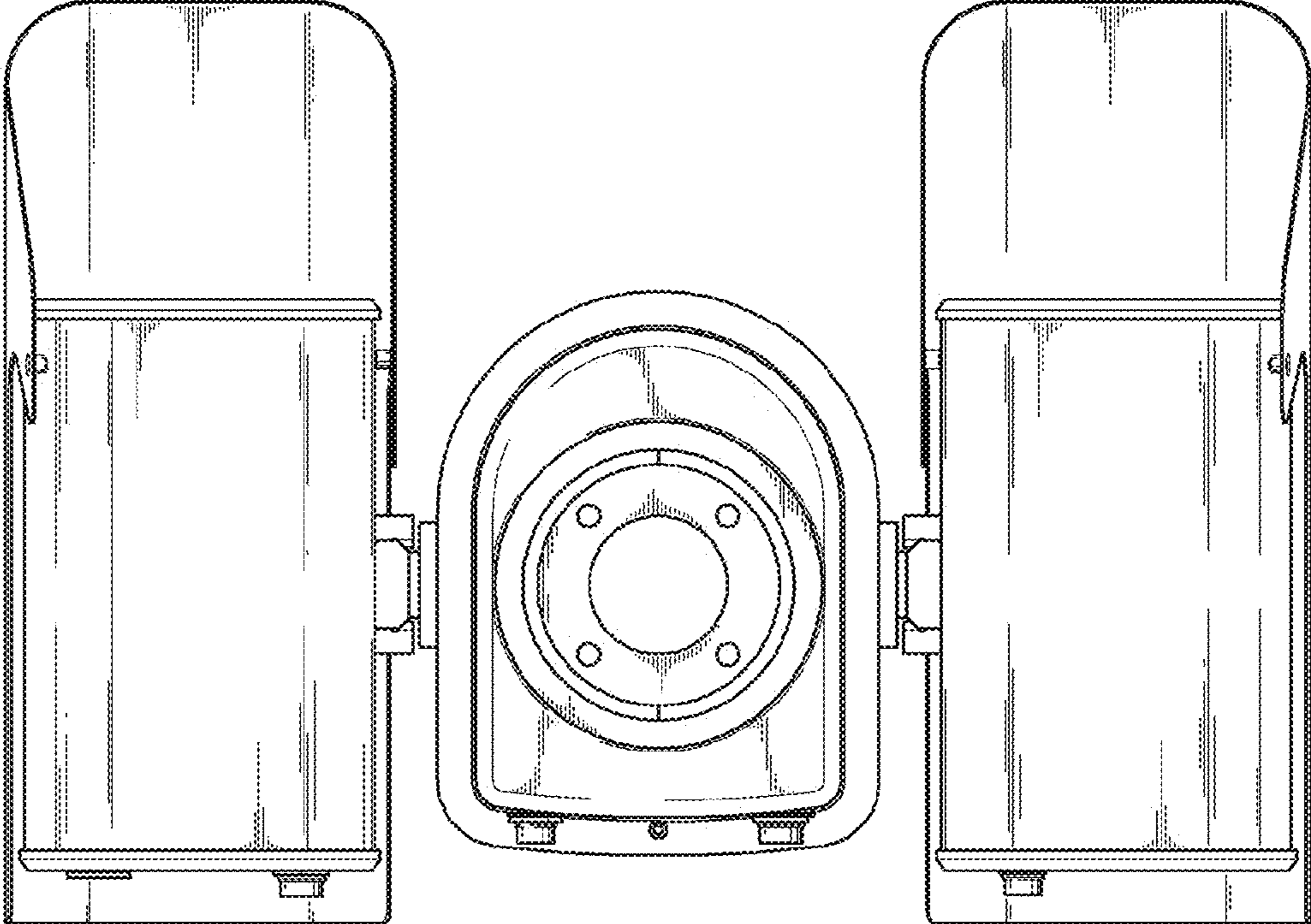


FIG. 8

