



US00D679307S

(12) **United States Design Patent**
Wu

(10) **Patent No.:** **US D679,307 S**
(45) **Date of Patent:** **** Apr. 2, 2013**

(54) **INFRARED CAMERA**

(56) **References Cited**

(75) Inventor: **Jiping Wu**, Guangzhou (CN)

U.S. PATENT DOCUMENTS

(73) Assignee: **Guangzhou Sat Infrared Technology**
(CN)

D528,141	S	*	9/2006	Kinemura et al.	D16/202
D557,300	S	*	12/2007	Wu	D16/202
D609,728	S	*	2/2010	Tashima	D16/202
D629,434	S	*	12/2010	Kawahara	D16/202
7,927,029	B2	*	4/2011	Fujii et al.	396/448
8,010,311	B1	*	8/2011	Warnke et al.	348/164

(**) Term: **14 Years**

* cited by examiner

(21) Appl. No.: **29/386,616**

Primary Examiner — Adir Aronovich

(22) Filed: **Mar. 3, 2011**

(74) *Attorney, Agent, or Firm* — Ballard Spahr LLP

(30) **Foreign Application Priority Data**

(57) **CLAIM**

I claim the ornamental design for an infrared camera, as shown and described.

Sep. 6, 2010 (CN) 2010 3 0506719

Jan. 25, 2011 (EP) 001810417-0003

(51) **LOC (9) Cl.** **16-01**

(52) **U.S. Cl.** **D16/202**

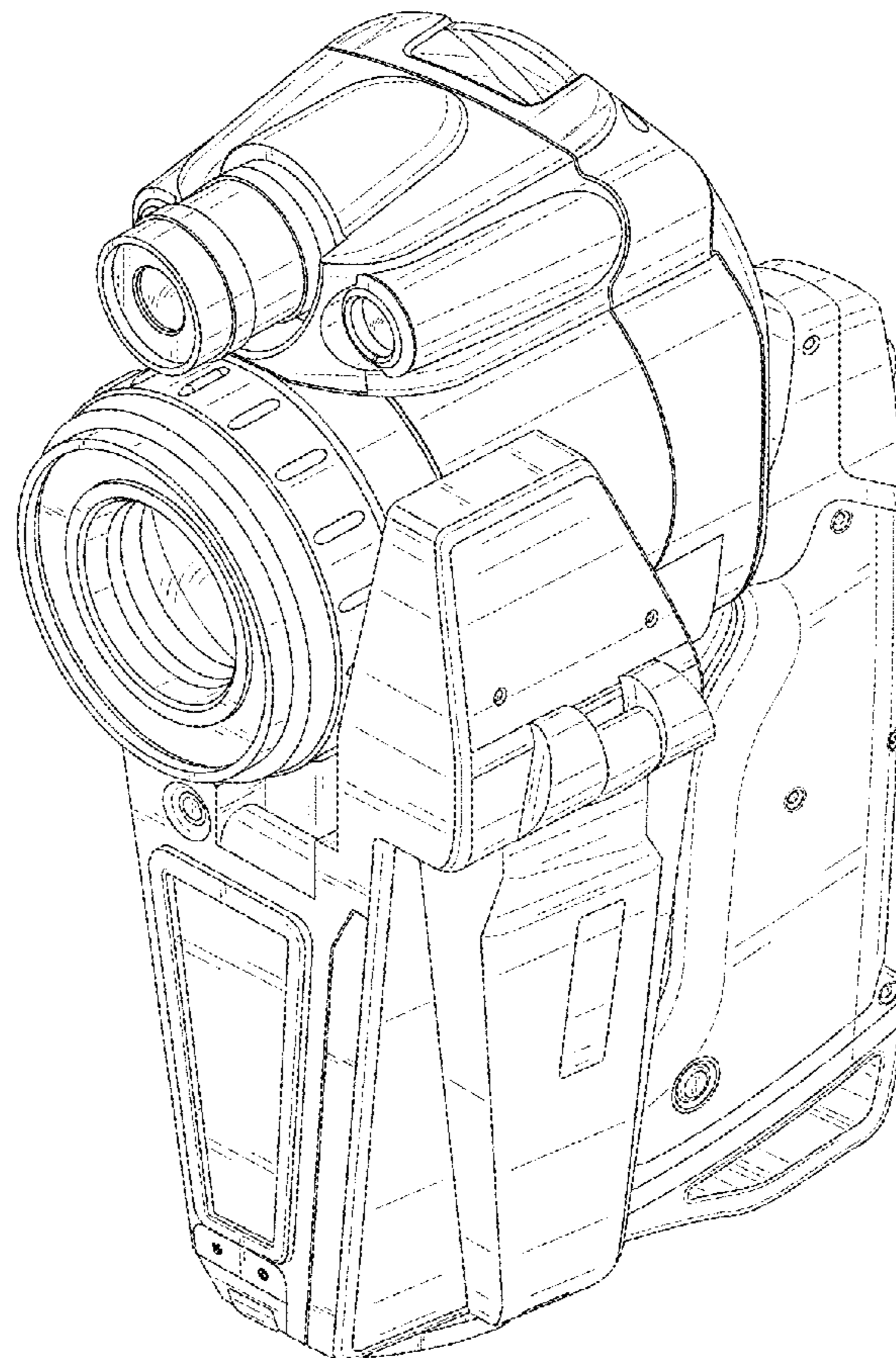
(58) **Field of Classification Search** D16/200–205,
D16/208, 218; 348/164, 373; 358/906;
396/535–541

DESCRIPTION

FIG. 1 is a left side elevational view of an infrared camera showing my new design;
FIG. 2 is a bottom plan view thereof;
FIG. 3 is a top plan view thereof;
FIG. 4 is a right side elevational view thereof;
FIG. 5 is a rear elevational view thereof;
FIG. 6 is a front elevational view thereof; and,
FIG. 7 is a front and left side perspective view thereof.

See application file for complete search history.

1 Claim, 4 Drawing Sheets



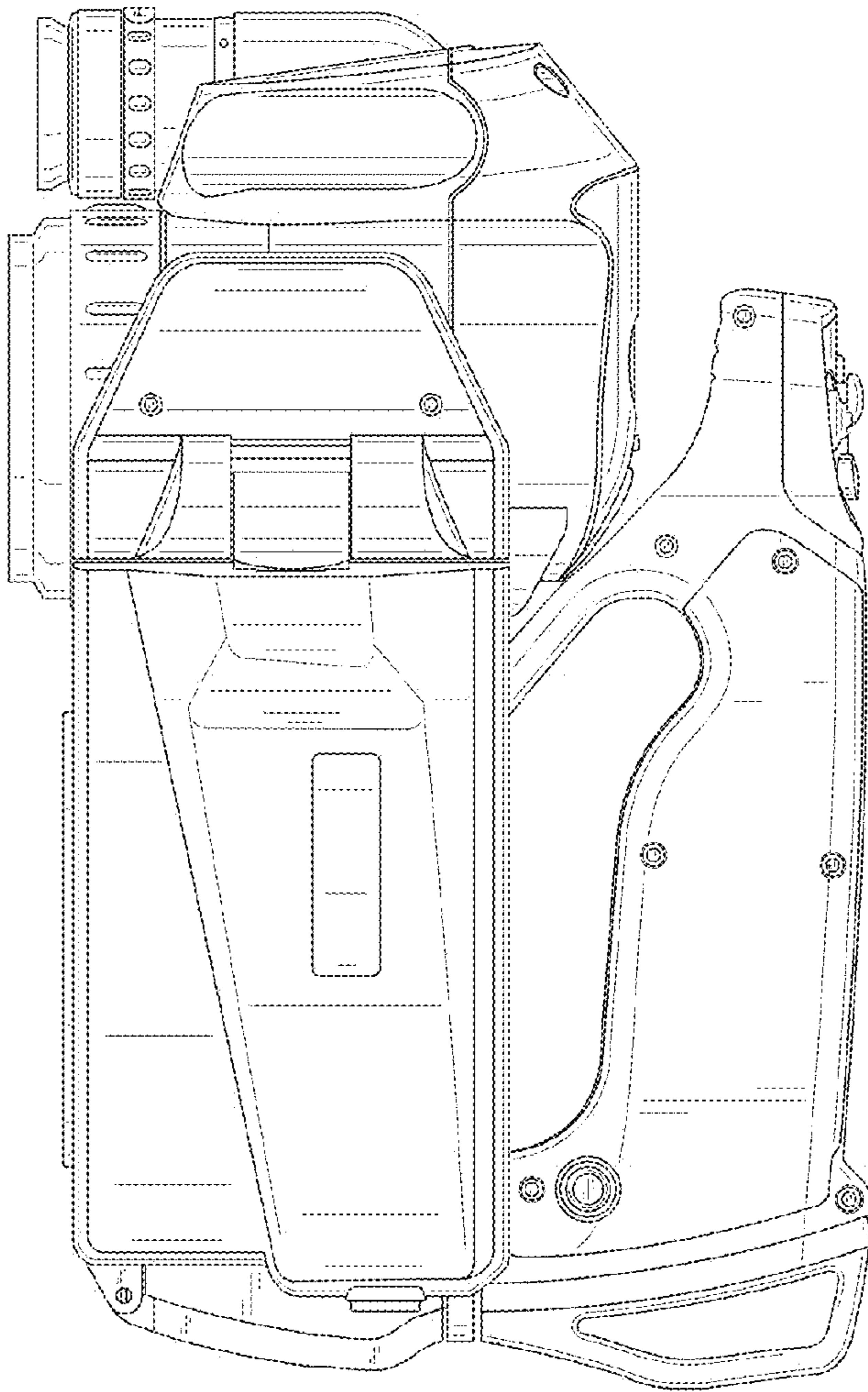


FIG. 1

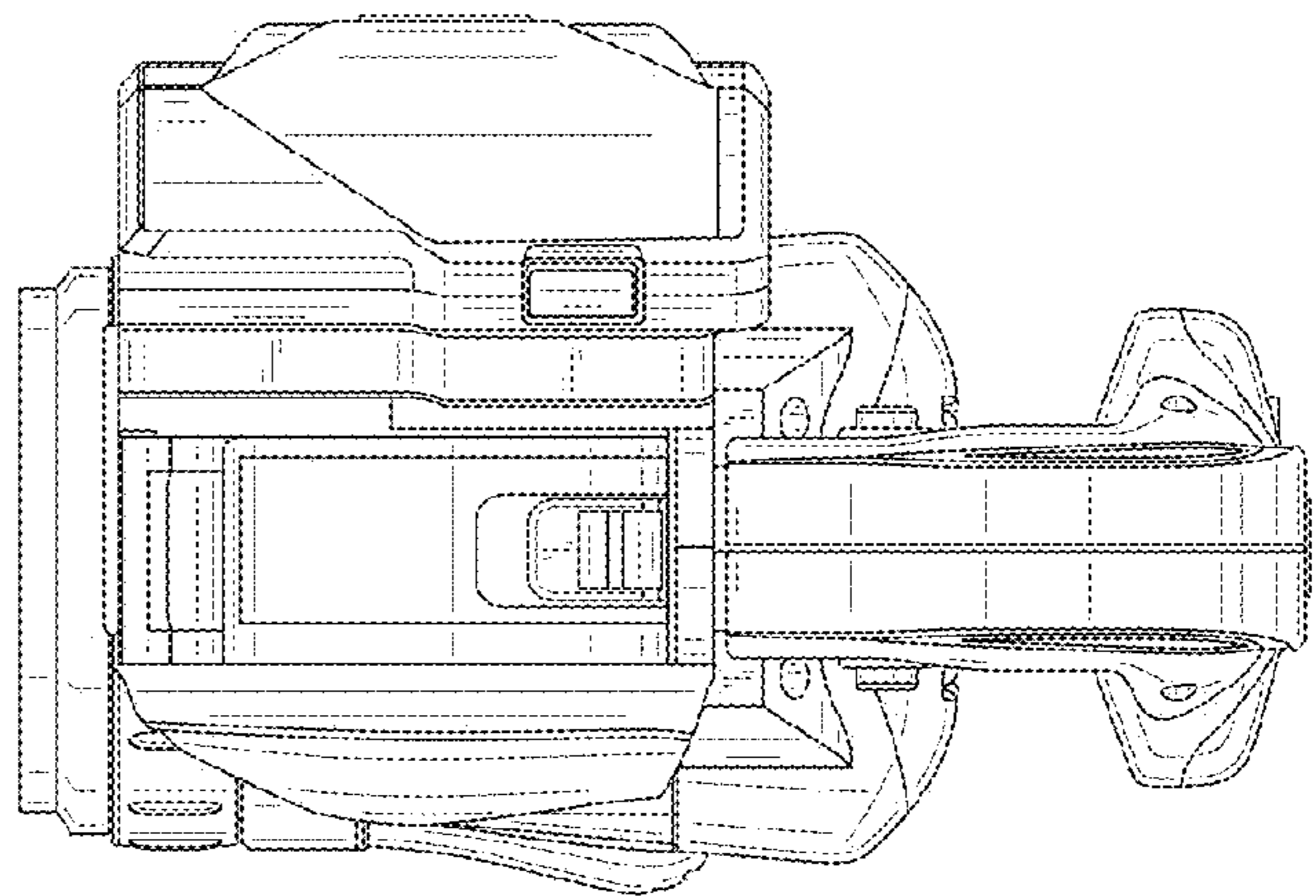


FIG. 2

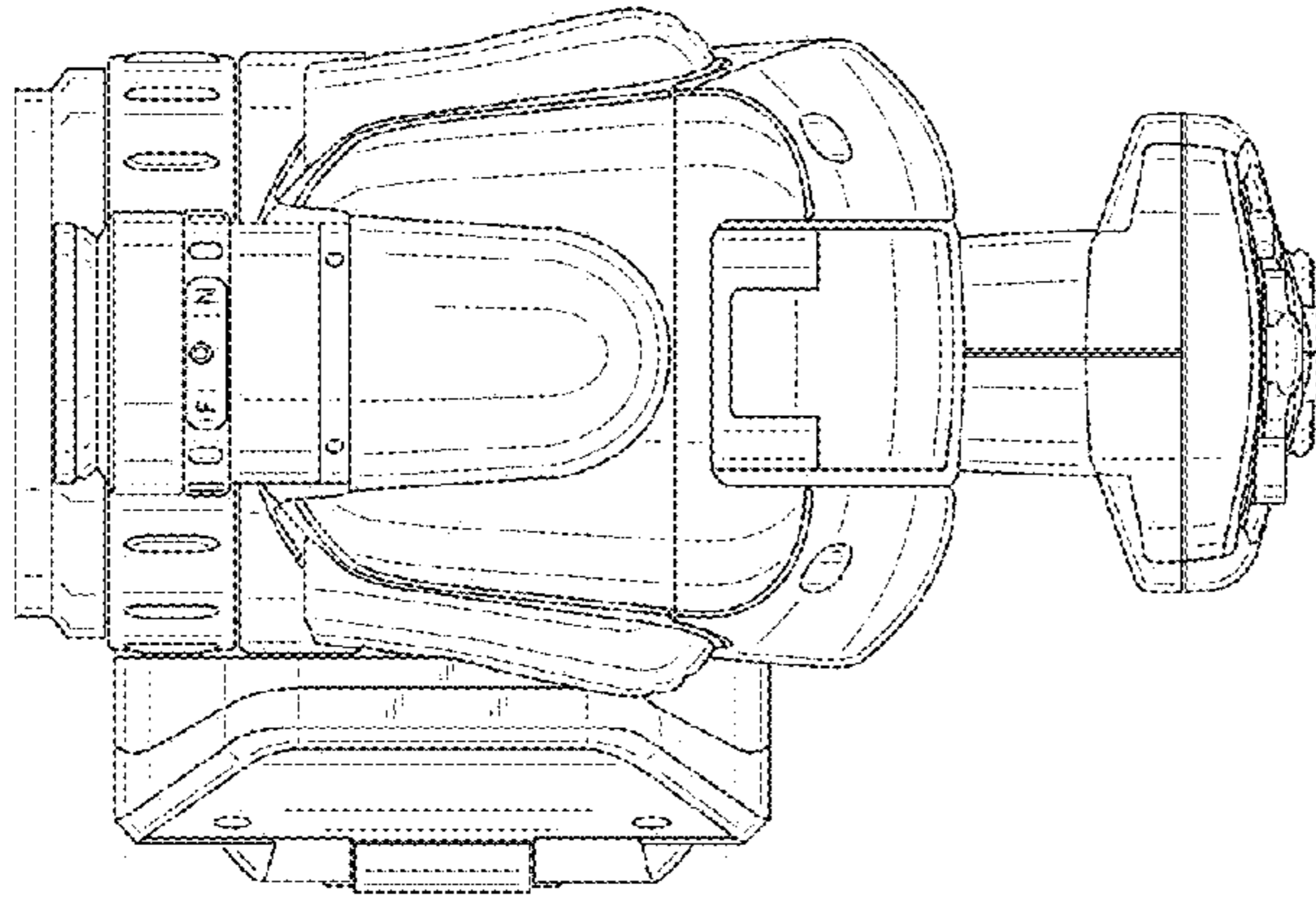


FIG. 3

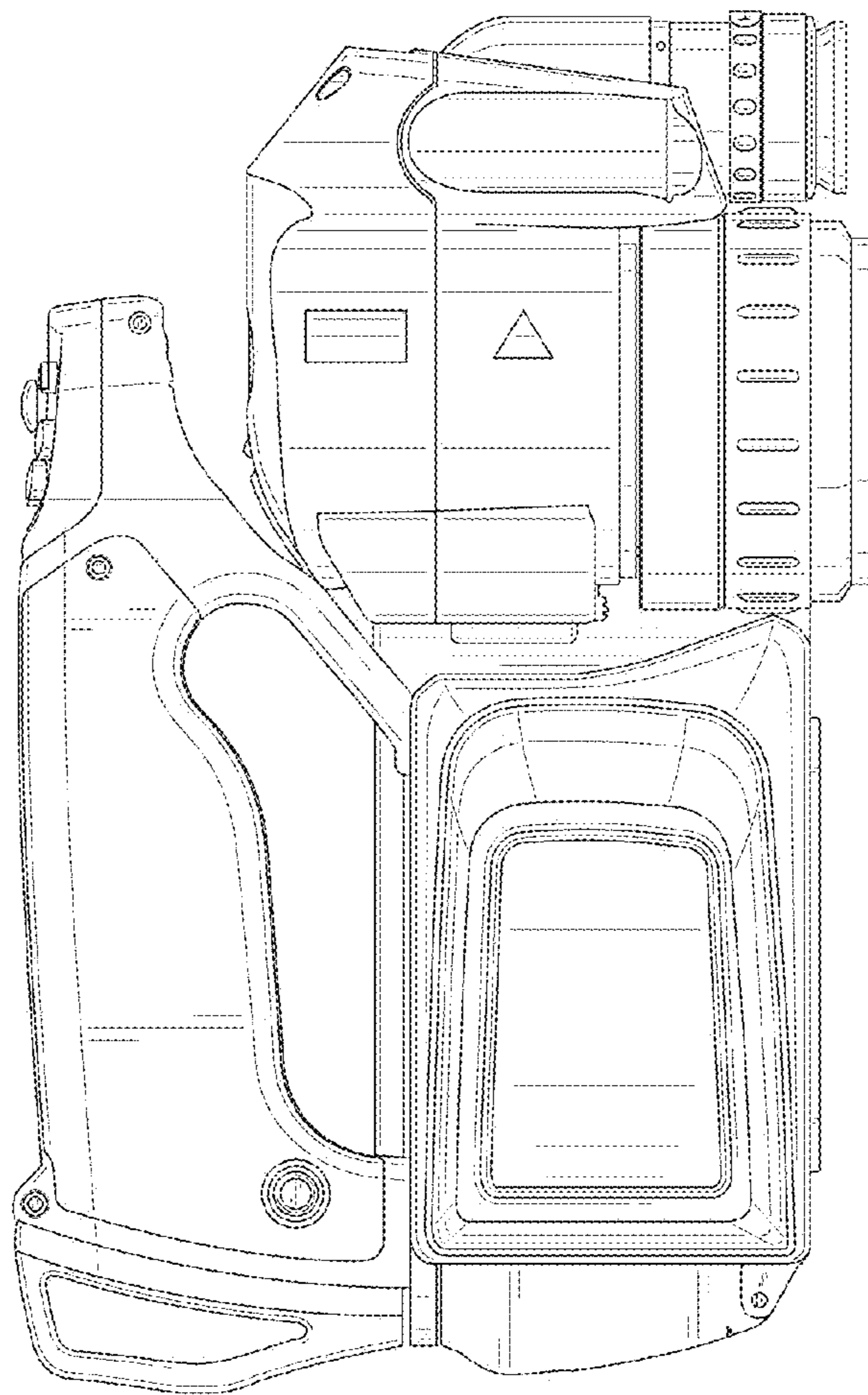


FIG. 4

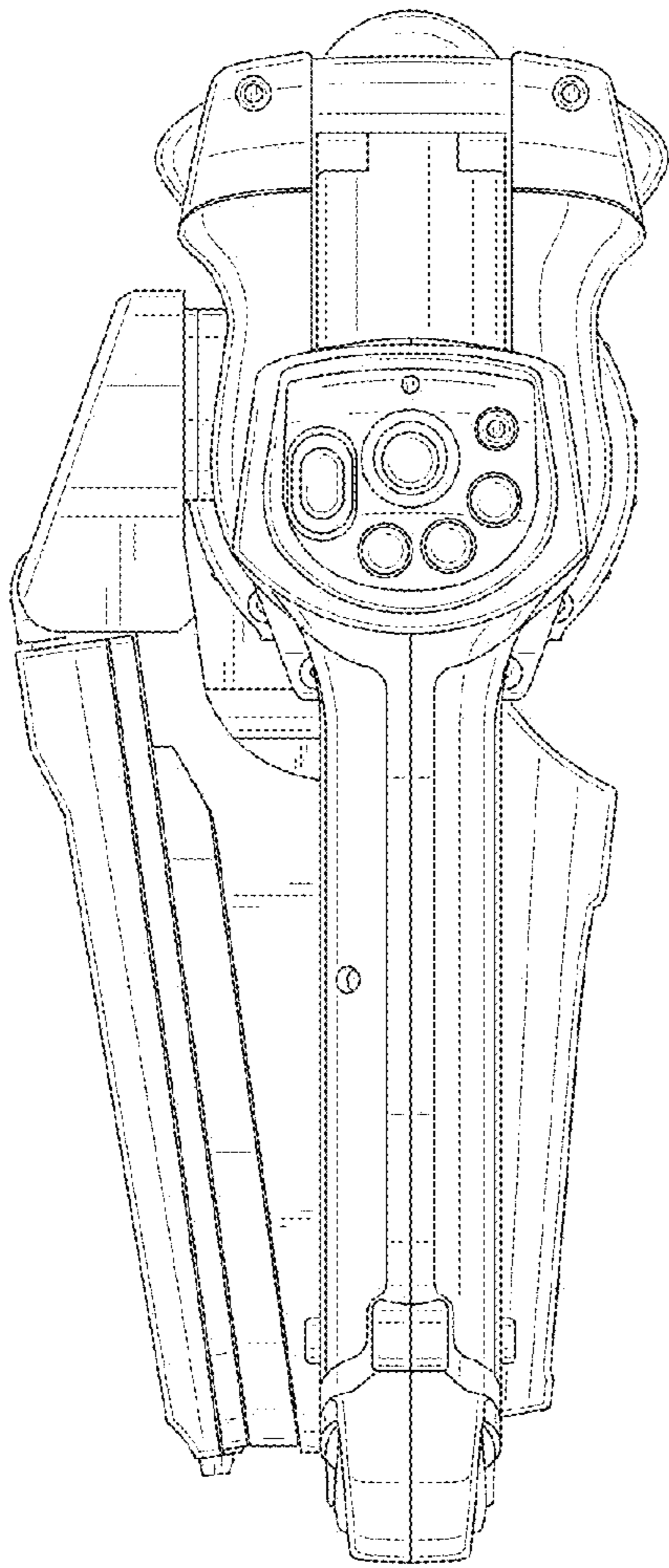


FIG. 5

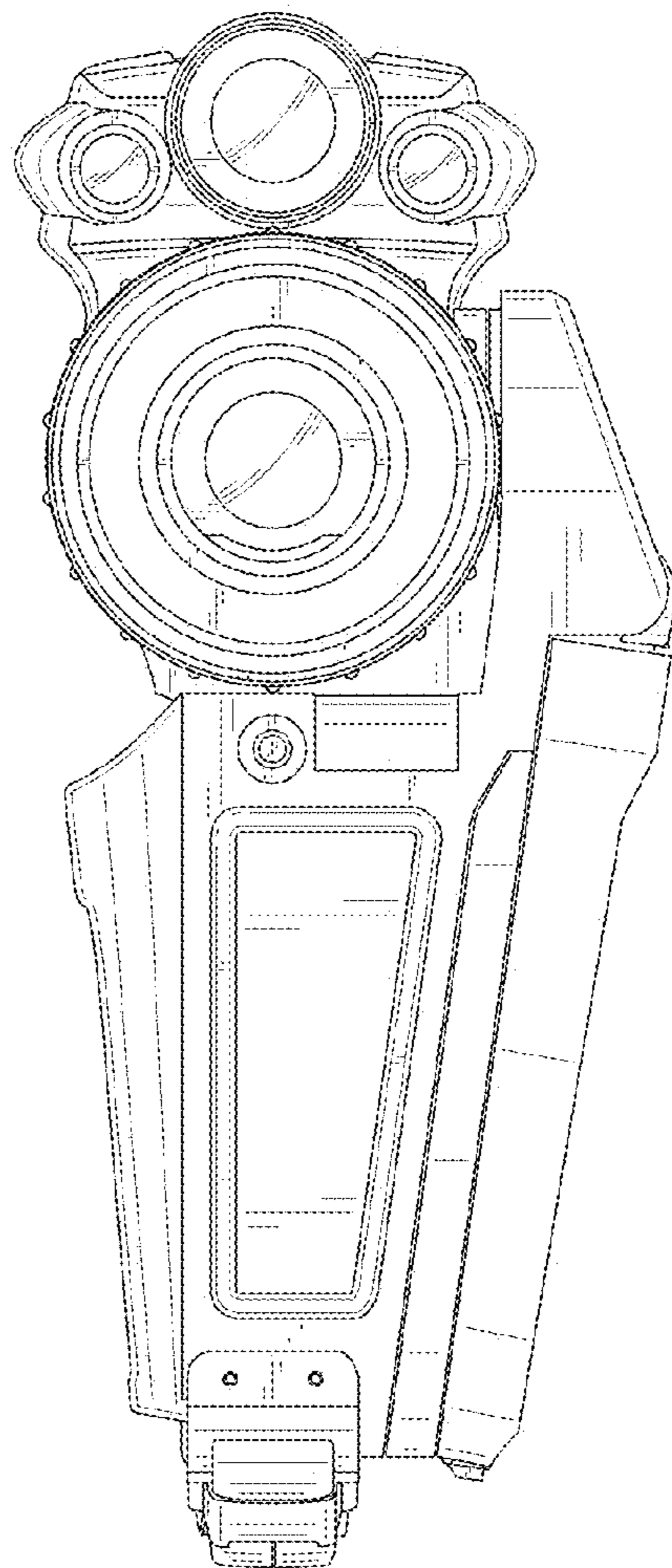


FIG. 6

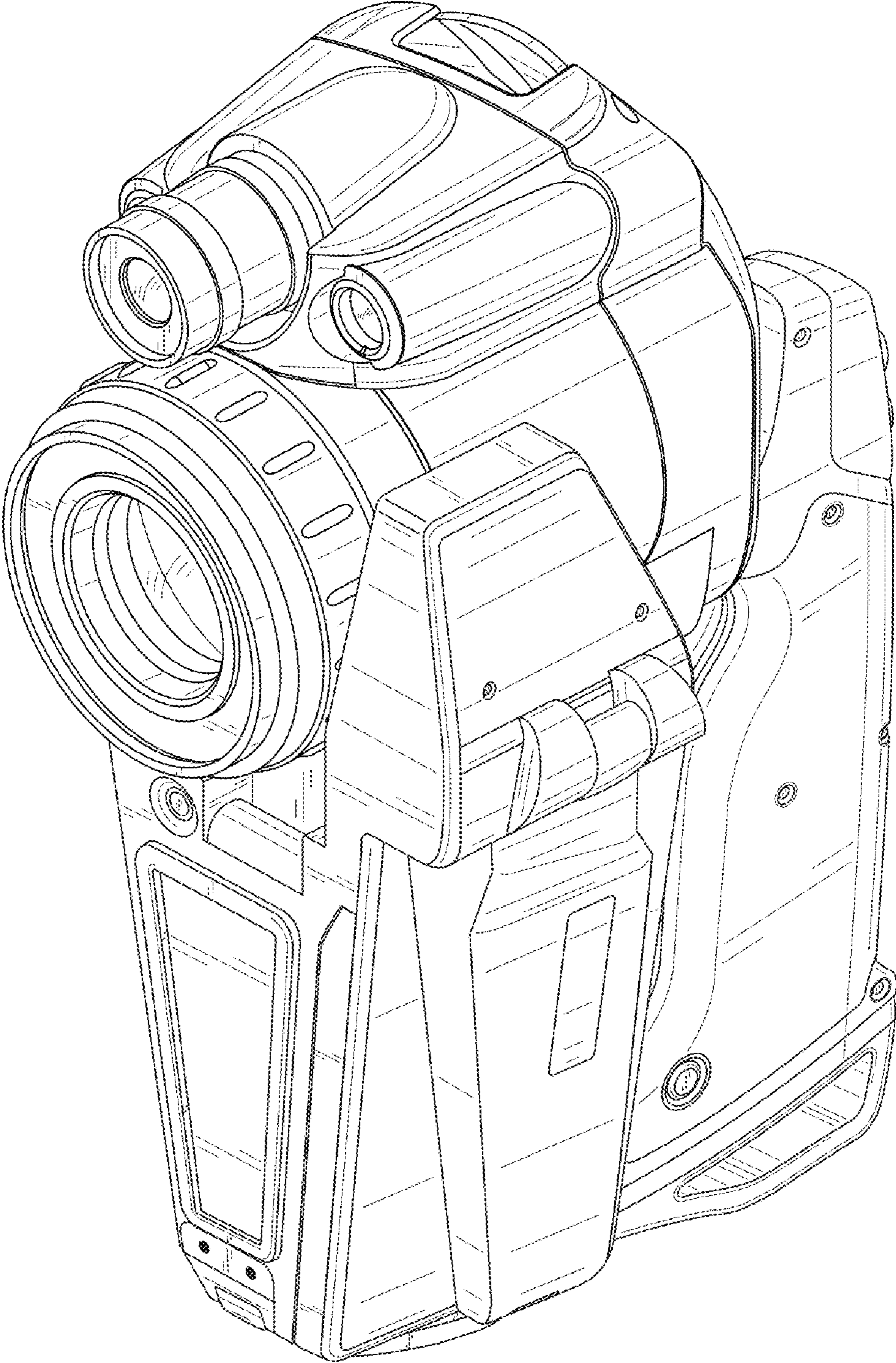


FIG. 7